



Catalog Number: 6636-GHC1-NK
Item Description: N1 HINGE CVR GUTTER NK
UPC Code: 784572107939

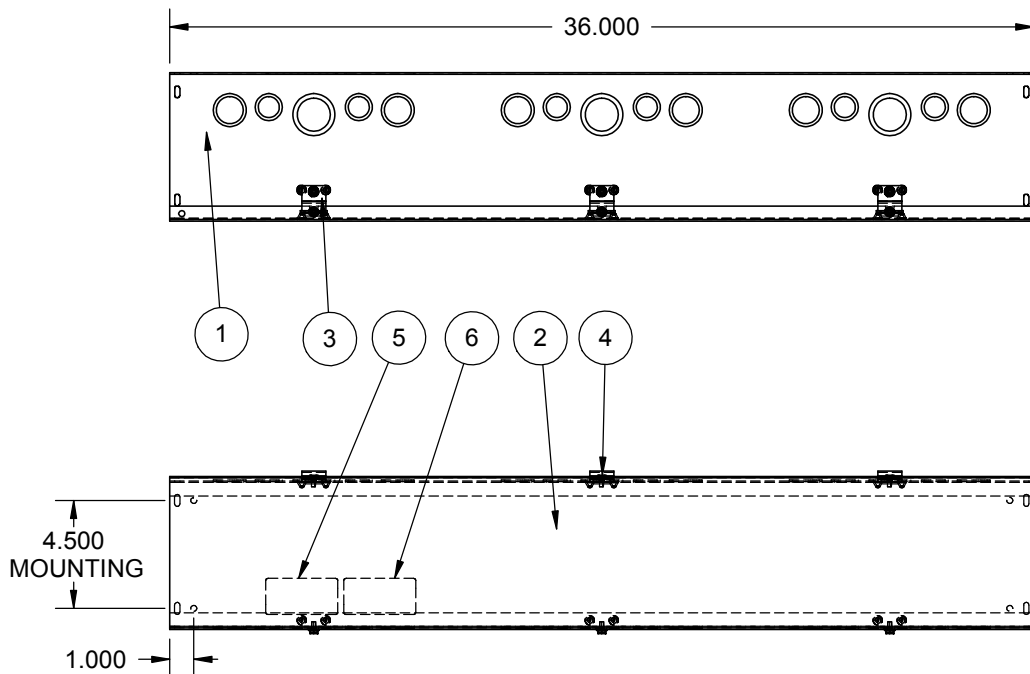
Brand Name: Milbank
Type: Lay In Wireway
Application: Wireway
Standard: UL Listed, Type 1
Cover Type: Hinge Cover
Enclosure: Indoor Enclosure
Nominal Cross Section: 6x6
Straight Section Length: 36
Material: Steel with Powder Coat Finish
Finish: ANSI 61 Gray
Knockouts: False



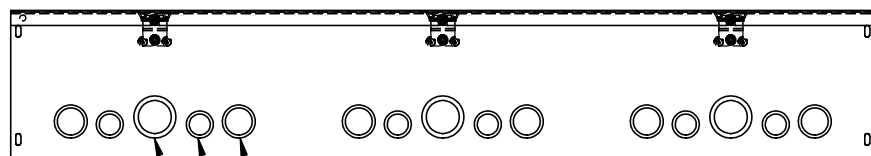
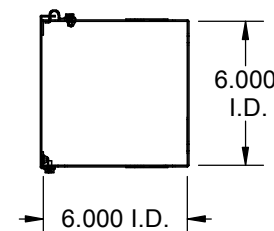
Utility requirements may vary. Always consult the serving utility for their requirements prior to ordering or installing this equipment. This product must always be installed by a licensed electrician. Installation of this equipment may require local electrical inspector approval.

CATALOG#	LABEL#
6636-GHC1-()	1002943
RC-6636-GHC1-()	1125051
SPH-663()	1132575

ITEM	QTY.	PART NUMBER	DESCRIPTION
1	1	(SEE CHART)	BACK
2	1	(SEE CHART)	TOP
3	3	1003198	HINGE
4	6	1001290	SCREW, 10-32 X 5/16
5	1	(SEE CHART)	UL LABEL, WIREWAY
6	1	1002942	LABEL, RATING
7	2	1002880	BAG ASSY (NOT SHOWN)



SUFFIX	BACK #	COVER #
-SU	1105202	1011994
-SUC	1128900	1128862
-SO	1128901	1128863
-SUNK	1011992	1011994
-NK	1128914	1128863
-SUNKC	1128915	1128862


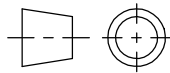


- 3/4, 1 CONC. K.O. (12)
- 1/2, 3/4 CONC. K.O. (12)
- 1, 1-1/4 CONC. K.O. (6)

NOTE:
1. PLACE BAG ASSY. INSIDE ENCLOSURE (NOT SHOWN).

SUFFIX	FINISH
NONE	PAINTED
-NP	NOT PAINTED

REV.	DATE	DESCRIPTION	BY
E	12/13/13	CHGD QTY #4 WAS 5, #7 WAS 3 (eECR0002639)	SEM
D	8-28-07	ADDED BACK & COVER CHART ECO. 15946	DL
D1	4/10/08	ADDED CHART & REMOVED NOTE#2 (ECO.17139)	

Material:	16 GA. STEEL	 General Offices: Kansas City, MO
Shear/ Die#:		
Finish:	MILBANK LIGHT GREY	
Part Wt.:		
Tolerances: Unless Specified Otherwise X.X ±.1 X.XX ±.03 X.XXX ±.015 X° ±2°		Title: HINGE COVER WIREWAY 6 x 6 x 36, TYPE 1 NEMA ENCLOSURE Catalog No.: (SEE CHART) Customer: MILBANK STANDARD Drawing No.: 358-11
Scale:	NTS	Third Angle 
Checked By:		Date: 1-13-06
Drawn By:	DL	Sheet 1 of 1



Catalog Number: 6636-GHC1-NK
Item Description: N1 HINGE CVR GUTTER NK
UPC Code: 784572107939

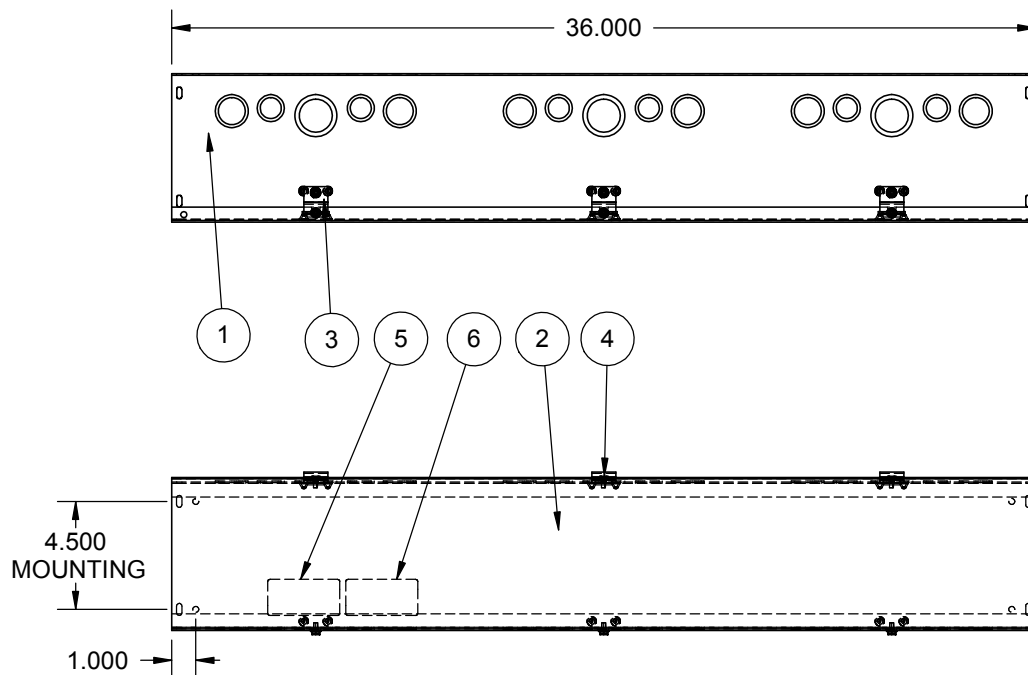
Brand Name: Milbank
Type: Lay In Wireway
Application: Wireway
Standard: UL Listed, Type 1
Cover Type: Hinge Cover
Enclosure: Indoor Enclosure
Nominal Cross Section: 6x6
Straight Section Length: 36
Material: Steel with Powder Coat Finish
Finish: ANSI 61 Gray
Knockouts: False



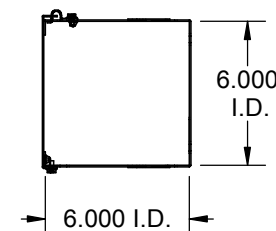
Utility requirements may vary. Always consult the serving utility for their requirements prior to ordering or installing this equipment. This product must always be installed by a licensed electrician. Installation of this equipment may require local electrical inspector approval.

CATALOG#	LABEL#
6636-GHC1-()	1002943
RC-6636-GHC1-()	1125051
SPH-663()	1132575

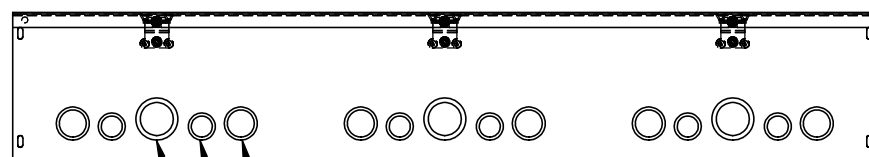
ITEM	QTY.	PART NUMBER	DESCRIPTION
1	1	(SEE CHART)	BACK
2	1	(SEE CHART)	TOP
3	3	1003198	HINGE
4	6	1001290	SCREW, 10-32 X 5/16
5	1	(SEE CHART)	UL LABEL, WIREWAY
6	1	1002942	LABEL, RATING
7	2	1002880	BAG ASSY (NOT SHOWN)



SUFFIX	BACK #	COVER #
-SU	1105202	1011994
-SUC	1128900	1128862
-SO	1128901	1128863
-SUNK	1011992	1011994
-NK	1128914	1128863
-SUNKC	1128915	1128862


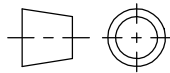


SUFFIX	FINISH
NONE	PAINTED
-NP	NOT PAINTED



NOTE:
1. PLACE BAG ASSY. INSIDE ENCLOSURE (NOT SHOWN).

REV.	DATE	DESCRIPTION	BY
E	12/13/13	CHGD QTY #4 WAS 5, #7 WAS 3 (eECR0002639)	SEM
D	8-28-07	ADDED BACK & COVER CHART ECO. 15946	DL
D1	4/10/08	ADDED CHART & REMOVED NOTE#2 (ECO.17139)	

Material:	16 GA. STEEL	 General Offices: Kansas City, MO
Shear/ Die#:		
Finish:	MILBANK LIGHT GREY	
Part Wt.:		
Tolerances: Unless Specified Otherwise X.X ±.1 X.XX ±.03 X.XXX ±.015 X° ±2°		Title: HINGE COVER WIREWAY 6 x 6 x 36, TYPE 1 NEMA ENCLOSURE Catalog No.: (SEE CHART) Customer: MILBANK STANDARD Drawing No.: 358-11
Scale:	NTS	Third Angle 
Checked By:		Date: 1-13-06
Drawn By:	DL	Sheet 1 of 1