



Catalog Number: 664-SC1-NK  
Item Description: N1 SCREW COVER ENCL NK  
UPC Code: 784572108035

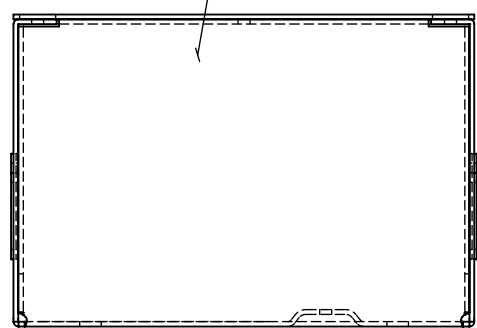
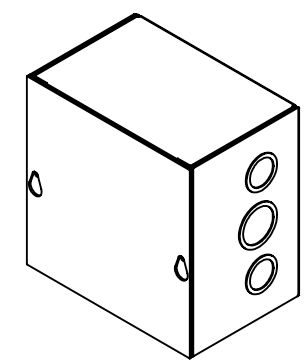
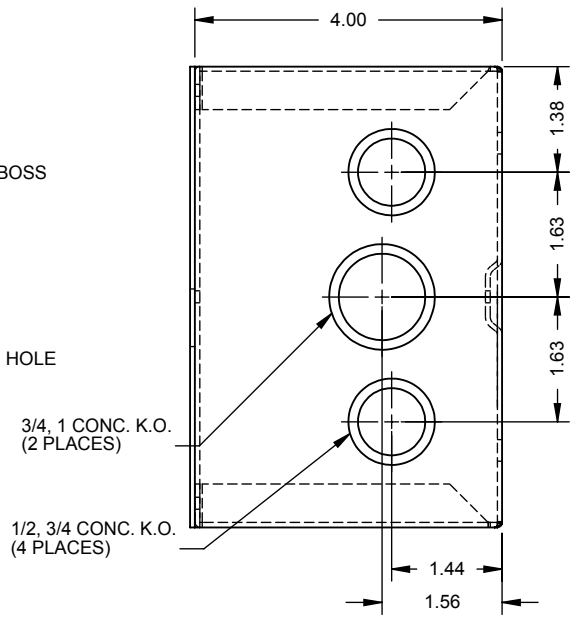
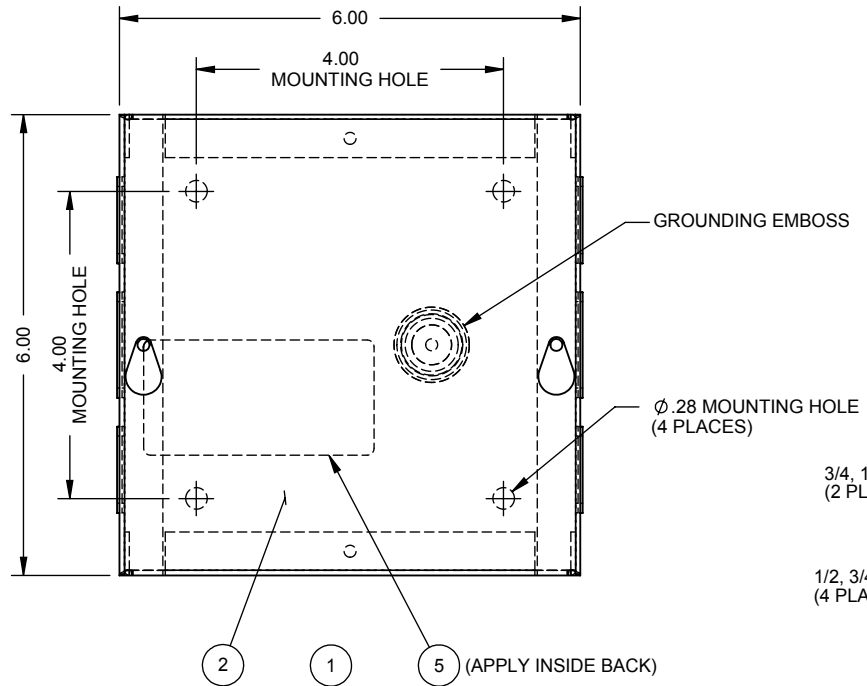
Brand Name: Milbank  
Type: Screw Cover  
Special Features: Cover Secured with Plated Screws  
Application: Enclosure for Mounting Electrical Equipment  
Standard: UL Listed  
Number Of Outlet: 0  
Material: Steel with Powder Coat Finish  
Color: ANSI 61 Gray  
Mounting: Wall Mount  
NEMA Rating: Type 1



*Utility requirements may vary. Always consult the serving utility for their requirements prior to ordering or installing this equipment. This product must always be installed by a licensed electrician. Installation of this equipment may require local electrical inspector approval.*

| CATALOG#      | LABEL#  |
|---------------|---------|
| 664-SC1(-)    | 1002135 |
| RC-664-SC1(-) | 1125021 |
| SPSC-664(-)   | 1132714 |

| ITEM | QTY. | PART NUMBER | DESCRIPTION                        |
|------|------|-------------|------------------------------------|
| 1    | 1    | (SEE CHART) | BACK WELDMENT                      |
| 2    | 1    | (SEE CHART) | COVER PLATE                        |
| 3    | 1    | 1002170     | BAG ASSY (SEE NOTE)                |
| 4    | 1    | 1002475     | BAG ASSY, GROUND SCREW (NOT SHOWN) |
| 5    | 1    | (SEE CHART) | LABEL (UL)                         |
| 6    | 0.11 | 1002133     | CARTON 9-PER (NOT SHOWN)           |



| SUFFIX | FINISH     | PLATE NO. | WELDMENT NO. | INSTALL KOs |
|--------|------------|-----------|--------------|-------------|
| NONE   | MILBANK    | 1156568   | 1156569      | YES         |
| -NK    | LIGHT GRAY |           | 1156570      | NO          |
| -NP    | NONE       | 1003322   | 1156571      | YES         |
| -NK-NP |            |           | 1156572      | NO          |

NOTES:  
 1.) BAG ASSY TO BE SHIPPED INSIDE OF EACH ENCLOSURE.  
 2.) WHEN SOLD WITH "R" PREFIX, APPLY STANDARD CARTON LABEL SHOWING QUANTITY OF 1 TO THE WRAPPING OF EACH UNIT. APPLY STANDARD CARTON LABEL TO CARTON SHOWING QUANTITY OF 9.

|    |         |  |      |  |  |  |  |  |  |  |  |  |  |  |  |  |  |  |  |
|----|---------|--|------|--|--|--|--|--|--|--|--|--|--|--|--|--|--|--|--|
| G4 | 5/16/12 | NOTE 2: "THE WRAPPING" WAS "SHRINK WRAP" |      |  |  |  |  |  |  |  |  |  |  |  |  |  |  |  |  |
|    |         | (ECO #22340)                             | D.F. |  |  |  |  |  |  |  |  |  |  |  |  |  |  |  |  |

|  |  |                                     |        |
|--|--|-------------------------------------|--------|
| Material:  | SEE CHART                              | General Offices:<br>Kansas City, MO |        |
| Finish:  | SEE CHART                              |                                     |        |
| Tolerances:<br>Unless Specified Otherwise<br>X.X ±.1<br>X.XX ±.03<br>X.XXX ±.015<br>X* ±2* | Third Angle<br>Projection              |                                     |        |
| Title:   | 664<br>SCREW COVER<br>TYPE 1 ENCLOSURE |                                     |        |
| Catalog No.:   | (SEE CHART)                            |                                     |        |
| Customer:  | MILBANK STD.                           |                                     |        |
| Drawing No.:   | <b>1003068</b>                         |                                     |        |
| Scale:   | NTS                                    | Checked By:                         |        |
| Drawn By:  | DY                                     | Approved By:                        |        |
| Date:  | 05/01/01                               | Sheet                               | 1 of 1 |



Catalog Number: 664-SC1-NK  
Item Description: N1 SCREW COVER ENCL NK  
UPC Code: 784572108035

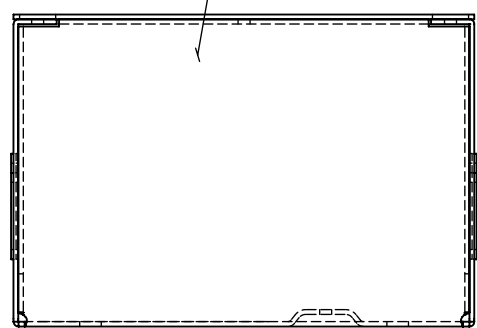
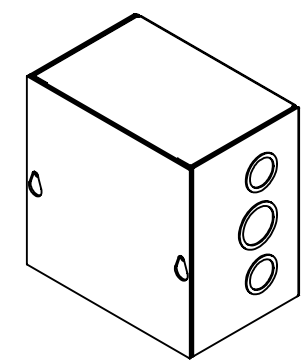
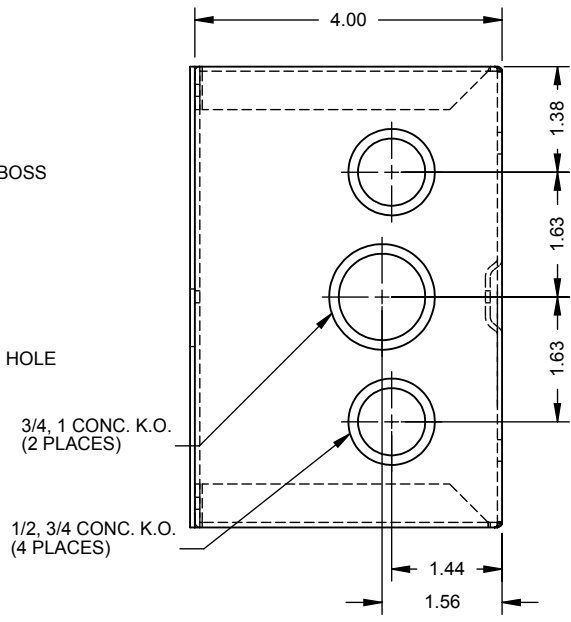
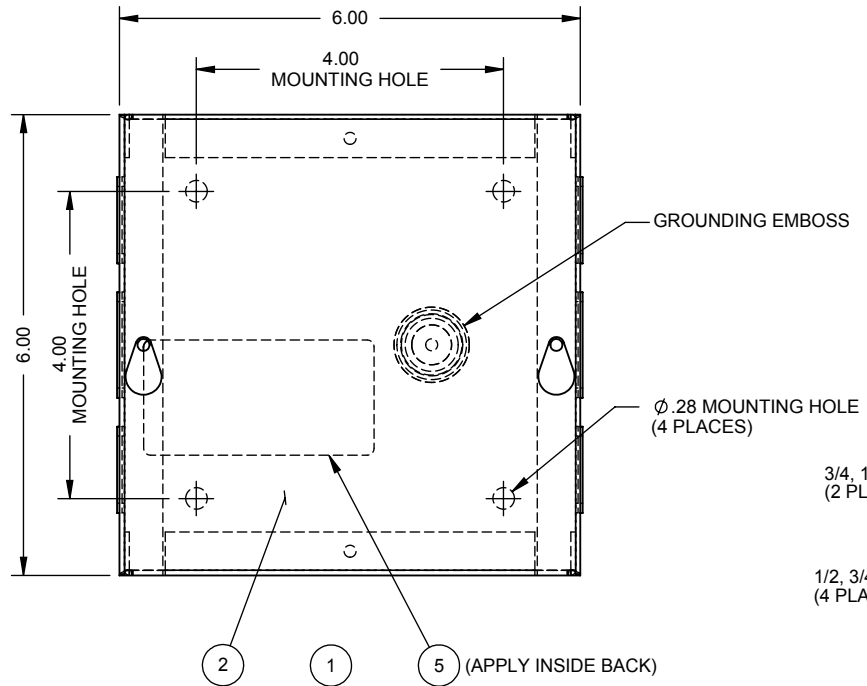
Brand Name: Milbank  
Type: Screw Cover  
Special Features: Cover Secured with Plated Screws  
Application: Enclosure for Mounting Electrical Equipment  
Standard: UL Listed  
Number Of Outlet: 0  
Material: Steel with Powder Coat Finish  
Color: ANSI 61 Gray  
Mounting: Wall Mount  
NEMA Rating: Type 1



*Utility requirements may vary. Always consult the serving utility for their requirements prior to ordering or installing this equipment. This product must always be installed by a licensed electrician. Installation of this equipment may require local electrical inspector approval.*

| CATALOG#      | LABEL#  |
|---------------|---------|
| 664-SC1(-)    | 1002135 |
| RC-664-SC1(-) | 1125021 |
| SPSC-664(-)   | 1132714 |

| ITEM | QTY. | PART NUMBER | DESCRIPTION                        |
|------|------|-------------|------------------------------------|
| 1    | 1    | (SEE CHART) | BACK WELDMENT                      |
| 2    | 1    | (SEE CHART) | COVER PLATE                        |
| 3    | 1    | 1002170     | BAG ASSY (SEE NOTE)                |
| 4    | 1    | 1002475     | BAG ASSY, GROUND SCREW (NOT SHOWN) |
| 5    | 1    | (SEE CHART) | LABEL (UL)                         |
| 6    | 0.11 | 1002133     | CARTON 9-PER (NOT SHOWN)           |



| SUFFIX | FINISH     | PLATE NO. | WELDMENT NO. | INSTALL KOs |
|--------|------------|-----------|--------------|-------------|
| NONE   | MILBANK    | 1156568   | 1156569      | YES         |
| -NK    | LIGHT GRAY |           | 1156570      | NO          |
| -NP    | NONE       | 1003322   | 1156571      | YES         |
| -NK-NP |            |           | 1156572      | NO          |

NOTES:  
 1.) BAG ASSY TO BE SHIPPED INSIDE OF EACH ENCLOSURE.  
 2.) WHEN SOLD WITH "R" PREFIX, APPLY STANDARD CARTON LABEL SHOWING QUANTITY OF 1 TO THE WRAPPING OF EACH UNIT. APPLY STANDARD CARTON LABEL TO CARTON SHOWING QUANTITY OF 9.

|    |         |  |      |  |  |  |  |  |  |  |  |  |  |  |  |  |  |  |  |
|----|---------|--|------|--|--|--|--|--|--|--|--|--|--|--|--|--|--|--|--|
| G4 | 5/16/12 | NOTE 2: "THE WRAPPING" WAS "SHRINK WRAP" |      |  |  |  |  |  |  |  |  |  |  |  |  |  |  |  |  |
|    |         | (ECO #22340)                             | D.F. |  |  |  |  |  |  |  |  |  |  |  |  |  |  |  |  |

|  |                 |                                     |  |                |
|--|-----------------|-------------------------------------|--|----------------|
| Material:  | SEE CHART       | General Offices:<br>Kansas City, MO |  |                |
| Finish:  | SEE CHART       |                                     |  |                |
| Tolerances:<br>Unless Specified Otherwise<br>X.X ±.1<br>X.XX ±.03<br>X.XXX ±.015<br>X* ±2* | Third Angle<br> | Title:                              | 664<br>SCREW COVER<br>TYPE 1 ENCLOSURE |                |
|  |                 | Projection                          | Catalog No.:                           | (SEE CHART)    |
|  |                 |                                     | Customer:                              | MILBANK STD.   |
|  |                 |                                     | Drawing No.:                           | <b>1003068</b> |
| Scale:   | NTS             | Checked By:                         | Date:                                  | 05/01/01       |
| Drawn By:  | DY              | Approved By:                        | Sheet                                  | 1 of 1         |