

**JUNO**

Project: \_\_\_\_\_

Fixture Type: \_\_\_\_\_

Location: \_\_\_\_\_

Contact/Phone: \_\_\_\_\_

**6" BASICS SERIES™  
LED RETROFIT ADJUSTABLE TRIM**ADJUSTABLE RETROFIT FOR STANDARD 6"  
RECESSED HOUSINGS**6RLA 06LM****PRODUCT DESCRIPTION**

Energy efficient LED retrofit adjustable trim fits into standard 6" IC or non-IC recessed housings • Replaces 65W incandescent lamp, producing over 650 lumens • Adjustable gimbal design allows for up to 35° vertical aiming, rotates 359° • Dimmable with most standard incandescent, magnetic low voltage and electronic low voltage dimmers • LED retrofit module is designed to provide 36,000 hours of life • 5 year warranty

**PRODUCT SPECIFICATIONS**

**LED Retrofit Adjustable Trim** Cast aluminum trim with white gimbal and flange • All-in-one design where LED light engine mounts directly to trim for ease of installation into existing 6" recessed housings with medium base sockets • Up to 35° vertical adjustment, rotates 359° • Provided with torsion springs.

**LED Light Engine** LEDs are mounted directly to cast aluminum housing providing superior thermal management to ensure long life • 2700K or 3000K LED color temperature • 90 CRI minimum • Accommodates 120 volts AC at 60Hz • Dimmable with most standard incandescent, magnetic low voltage and electronic low voltage dimmers • For a list of compatible dimmers, see [JUNORETROBASICS-DIM](#).

**Electrical Connections** Trim features quick connect plug installed as standard for installation into IC23 LEDT24 and IC23R LEDT24 housings with mating connector • Trim ships with a medium base socket adapter whip for installation into 6" incandescent housings with medium base sockets.

**Optical System** Trims are offered with choice of 25° narrow flood or 85° wide flood beam patterns • LED source concealed with lensed optic.

**Life** Rated for 36,000 hours at 70% lumen maintenance.

**Labels** ENERGY STAR® Certified • UL and cUL classified for use with most standard UL listed 6" recessed incandescent housings and Juno IC23 LEDT24 and IC23R LEDT24; see below for specific compatibility requirements • Damp location.

**Testing** All reports are based on published industry procedures; field performance may differ from laboratory performance.

Product specifications subject to change without notice.

**INSTALLATION**

The LED retrofit adjustable trim is provided with torsion springs as standard. Accessory kit available for use in housings that do not have torsion spring retaining brackets.

**COMPATIBLE HOUSINGS**

The 6RLA retrofit module is compatible with most 6" recessed housings measuring at least 4" high with an inside diameter between 6 1/8" and 7". Removal of the housing socket plate or socket mounting bracket may be required in order for the trim to fit properly.

**Compatible housings include, but not limited to:**

**Juno housings:** IC2, IC21, IC22, IC23 and TC2 Series

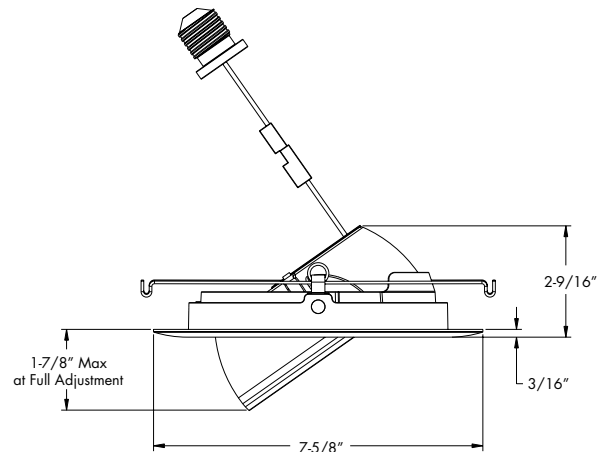
**Juno quick-connect LED housings:** [IC23 LEDT24](#) and [IC23R LEDT24](#)

**Lithonia® housings:** L7X and LC6 Series

**Halo® housings:** E7 Series

**Thomas® housings:** PS1 and PS3 Series

**Capri® housings:** CR1, PR1, QL6 Series, P9ASIC Series

**DIMENSIONS****MOUNTING ACCESSORIES****V6RLTRB**

Torsion receiver bracket kit to install into housings that do not have torsion receiver brackets.

**PERFORMANCE DATA**

	27K	30K
Input Voltage	120V	120V
Input Power Typical	10.5W	10.5W
Frequency	60Hz	60Hz
EMI/RFI	FCC Title 47, Part 15 Class B (consumer)	FCC Title 47, Part 15 Class B (consumer)
Minimum starting temp	-30°C (-22°F)	-30°C (-22°F)
CRI	90 min.	90 min.
CCT	2700K	3000K

# 6" BASICS SERIES™ LED RETROFIT ADJUSTABLE TRIM

ADJUSTABLE RETROFIT FOR STANDARD 6"  
RECESSED HOUSINGS

## 6RLA 06LM

### ORDERING INFORMATION

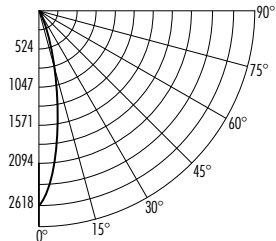
Ordering Example: 6RLA 06LM 27K 90CRI NFL 120 FRPC WH

Series	Lumens	Color Temperature	Color Rendering Index
6RLA 6" Juno Basics Retrofit Adjustable	06LM 600 Nominal Lumens	27K 2700K 30K 3000K	90CRI 90+ CRI

Distribution	Voltage	Driver	Finish
NFL Narrow Flood WFL Wide Flood	120 120V	FRPC Forward/Reverse Phase Cut	WH White

### PHOTOMETRIC REPORT

Test Report#: PT11150401R  
Catalog No: 6RLA 06LM 27K 90CRI NFL 120 FRPC WH  
Luminaire Spacing Criteria: 0.40  
Luminaire LPW: 67



### CANDLEPOWER DISTRIBUTION (Candelas)

Degrees Vertical	0°
0	2618
5	2278
15	879
25	265
35	102
45	45
55	22
65	11
75	5
85	1
90	0

Multiplier: 3K - 1.03

### AVERAGE INITIAL FOOTCANDLES Multiple Units (Square Array, 60'x60' room)

Ceiling 80%, Walls 50%, Floors 20%

Spacing	RCR1	RCR3	RCR5
4'	49	44	39
5'	31	28	25
6'	22	19	17
7'	18	16	14
8'	14	12	11
9'	11	10	9
10'	8	7	6

### ZONAL LUMEN SUMMARY

Zone	Lumens	%Lamp	%Fixture
0-30°	568	N/A	80.3
0-40°	634	N/A	89.6
0-60°	689	N/A	97.4
0-90°	707	N/A	100.0

### INITIAL FOOTCANDLES (One Unit: 10.5W, 23.2° Beam)

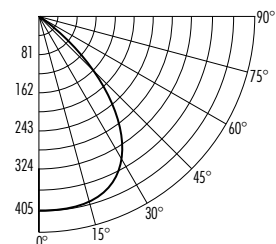
Distance to Illuminated Plane (Feet)	Footcandles Beam Center	Beam Diameter
4'	163.6	1.6
6'	72.7	2.5
8'	40.9	3.3
10'	26.2	4.1

### LUMINANCE (Average cd/m²)

Angle in Degrees	Average 0-90°
45°	7957
55°	4731
65°	3358
75°	2645
85°	1000

### PHOTOMETRIC REPORT

Test Report#: PT11150402R  
Catalog No: 6RLA 06LM 27K 90CRI WFL 120 FRPC WH  
Luminaire Spacing Criteria: 1.26  
Luminaire LPW: 70



### CANDLEPOWER DISTRIBUTION (Candelas)

Degrees Vertical	0°
0	405
5	405
15	394
25	372
35	305
45	157
55	60
65	28
75	13
85	4
90	0

Multiplier: 3K - 1.03

### AVERAGE INITIAL FOOTCANDLES Multiple Units (Square Array, 60'x60' room)

Ceiling 80%, Walls 50%, Floors 20%

Spacing	RCR1	RCR3	RCR5
4'	49	40	33
5'	32	26	21
6'	22	18	15
7'	18	15	12
8'	14	11	10
9'	11	9	7
10'	8	6	5

### ZONAL LUMEN SUMMARY

Zone	Lumens	%Lamp	%Fixture
0-30°	321	N/A	43.7
0-40°	508	N/A	69.3
0-60°	686	N/A	93.6
0-90°	733	N/A	100.0

### INITIAL FOOTCANDLES (One Unit: 10.5W, 84.2° Beam)

Distance to Illuminated Plane (Feet)	Footcandles Beam Center	Beam Diameter
4'	25.3	7.2
6'	11.3	10.8
8'	6.3	14.5
10'	4.1	18.1

### LUMINANCE (Average cd/m²)

Angle in Degrees	Average 0-90°
45°	27989
55°	13151
65°	8335
75°	6541
85°	5427

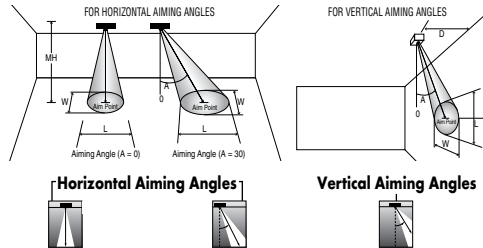
# 6" BASICS SERIES™ LED RETROFIT ADJUSTABLE TRIM

ADJUSTABLE RETROFIT FOR STANDARD 6"  
RECESSED HOUSINGS

## 6RLA 06LM

**CBCP** • Centerbeam candlepower  
**FC** • Footcandles at beam center  
(aim point)

In vertical aiming applications, aim point (X) is determined by dividing distance from the wall (D) by the tangent of the desired aim angle (A) (0.5774 for 30°, 1.0 for 45°).



FIXTURE	Beam Type	Beam Spread°	CBCP	0°			30°			30°					
				MH	FC	L	W	FC	L	W	D	FC	X	L	W
<b>With Wide Flood Optic</b>	WFL	85°	405	3	45	5.5	5.5	29	10.2	6.3	1	51	1.7	*	3.7
				4	25	7.3	7.3	16	13.6	8.5	2	13	3.5	*	7.3
				5	16	9.2	9.2	11	17.0	10.6	3	6	5.2	*	11.0
				6	11	11.0	11.0	7	20.4	12.7	4	3	6.9	*	14.7
				7	8	12.8	12.8	5	23.8	14.8	5	2	8.7	*	18.3
<b>With Narrow Flood Optic</b>	NFL	25°	2618	3	291	1.3	1.3	189	1.8	1.5	1	327	1.7	2.1	0.9
				4	164	1.8	1.8	106	2.4	2.0	2	82	3.5	4.2	1.8
				5	105	2.2	2.2	68	3.0	2.6	3	36	5.2	6.2	2.7
				6	73	2.7	2.7	47	3.6	3.1	4	20	6.9	8.3	3.5
				7	53	3.1	3.1	35	4.2	3.6	5	13	8.7	10.4	4.4

\*Covers full length of wall based on typical mounting heights of 8-12 feet.