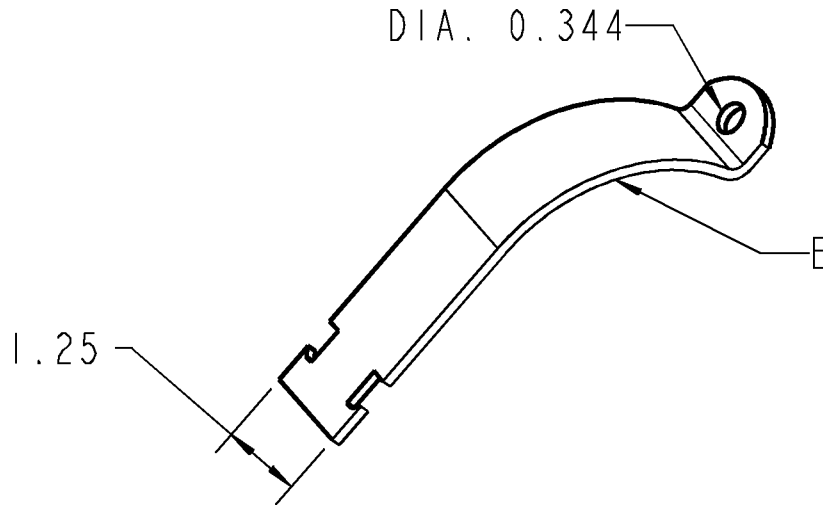



Superstrut



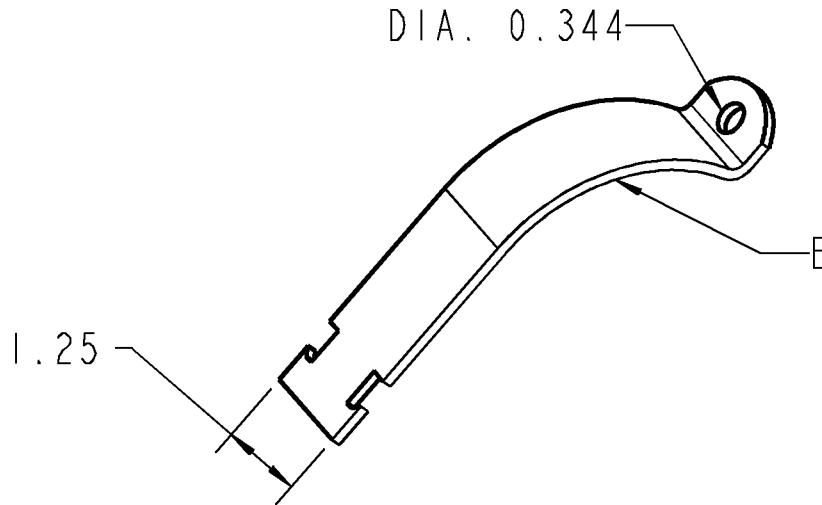
| | | | | | | |
|-----------------------------|-------------|----------|------------|---------------|-------------------|----------------------|
| 3" RIGID/STD PIPE STRAP | 1.750 | NOTE 9 | - | C105-3SS316 | 702 3SS316 | |
| 3 1/2" RIGID/STD PIPE STRAP | 2.000 | NOTE 8 | - | C 105 3 1/2AL | 702 3 1/2AL | |
| 3" RIGID/STD PIPE STRAP | 1.750 | NOTE 7 | - | C 105 3 AL | 702 3 AL | |
| 2 1/2" RIGID/STD PIPE STRAP | 1.438 | NOTE 7 | - | C 105 2 1/2AL | 702 2-1/2AL | |
| 3 1/2" RIGID/STD PIPE STRAP | 2.000 | NOTE 6 | - | C 105 3 1/2SS | 702 3 1/2 SS | |
| 3" RIGID/STD PIPE STRAP | 1.750 | NOTE 2 | - | C 105 3 SS | 702 3 SS | |
| 2 1/2" RIGID/STD PIPE STRAP | 1.438 | NOTE 2 | - | C 105 2 1/2SS | 702 2 1/2 SS | |
| 3 1/2" RIGID/STD PIPE STRAP | 2.000 | NOTE 5 | NOTE 4 | C 105 3 1/2EG | 702 3 1/2 EG | |
| 3" RIGID/STD PIPE STRAP | 1.750 | NOTE 1 | NOTE 4 | C 105 3EG | 702 3 EG | |
| 2 1/2" RIGID/STD PIPE STRAP | 1.438 | NOTE 1 | NOTE 4 | C 105 2 1/2EG | 702 2 1/2 EG | |
| 3 1/2" RIGID/STD PIPE STRAP | 2.000 | NOTE 5 | NOTE 3 | C 105 3 1/2 | 702 3 1/2 | |
| 3" RIGID/STD PIPE STRAP | 1.750 | NOTE 1 | NOTE 3 | C 105 3 | 702 3 | |
| 2 1/2" RIGID/STD PIPE STRAP | 1.438 | NOTE 1 | NOTE 3 | C 105 2 1/2 | 702 2 1/2 | |
| A | DESCRIPTION | B RADIUS | D MATERIAL | E FINISH | CAT NO KINDORF | CAT NO SUPERSTRUT |

NOTES:

1. MATERIAL: 12 GA. (.104) H.R. LOW CARBON STEEL.
2. MATERIAL: 12 GA. (.104) TYPE 304 STAINLESS STEEL.
3. FINISH: ELECTRO DEPOSITED ZINC BASE WITH YELLOW TRIVALENT CHROMIUM OUTER BARRIER.
4. FINISH: ELECTRO DEPOSITED ZINC.
5. MATERIAL. (.125) H.R. LOW CARBON STEEL.
6. MATERIAL, 11 GA. (.125) TYPE 304 STAINLESS STEEL.
7. MATERIAL, 12 GA. (.104) ALUMINUM.
8. MATERIAL, 11 GA. (.125) ALUMINUM.
9. MATERIAL, 12 GA. (.104) TYPE 316 STAINLESS STEEL.

| | | | | | |
|---|--|--|----------------------------|----------------------|----------------------------------|
| GENERAL NOTES | |  A Member of the ABB Group | | | |
| 1. ALL DIMENSIONS ARE FOR REFERENCE ONLY. 2. DIMENSIONS IN BRACKETS [] ARE IN METRIC UNITS. | | | | | |
| REVISIONS | | DESCRIPTION: KINDORF C105 AND SUPERSTRUT 702 SERIES PIPE STRAPS | | | |
| - | SEE ERN (****) FOR APPROVAL SIGNATURES & RELEASE DATE. PROJECT NO: **** | ORIGINAL PROJECT NO / (ERN NO) XM400032 / (2015693) | SHEET NO: 1 OF 1 | REV. NO: - | DRAWING NO: WSD-001307 |


Superstrut



| | | | | | | |
|-----------------------------|-------------|----------|------------|---------------|-------------------|----------------------|
| 3" RIGID/STD PIPE STRAP | 1.750 | NOTE 9 | - | C105-3SS316 | 702 3SS316 | |
| 3 1/2" RIGID/STD PIPE STRAP | 2.000 | NOTE 8 | - | C 105 3 1/2AL | 702 3 1/2AL | |
| 3" RIGID/STD PIPE STRAP | 1.750 | NOTE 7 | - | C 105 3 AL | 702 3 AL | |
| 2 1/2" RIGID/STD PIPE STRAP | 1.438 | NOTE 7 | - | C 105 2 1/2AL | 702 2-1/2AL | |
| 3 1/2" RIGID/STD PIPE STRAP | 2.000 | NOTE 6 | - | C 105 3 1/2SS | 702 3 1/2 SS | |
| 3" RIGID/STD PIPE STRAP | 1.750 | NOTE 2 | - | C 105 3 SS | 702 3 SS | |
| 2 1/2" RIGID/STD PIPE STRAP | 1.438 | NOTE 2 | - | C 105 2 1/2SS | 702 2 1/2 SS | |
| 3 1/2" RIGID/STD PIPE STRAP | 2.000 | NOTE 5 | NOTE 4 | C 105 3 1/2EG | 702 3 1/2 EG | |
| 3" RIGID/STD PIPE STRAP | 1.750 | NOTE 1 | NOTE 4 | C 105 3EG | 702 3 EG | |
| 2 1/2" RIGID/STD PIPE STRAP | 1.438 | NOTE 1 | NOTE 4 | C 105 2 1/2EG | 702 2 1/2 EG | |
| 3 1/2" RIGID/STD PIPE STRAP | 2.000 | NOTE 5 | NOTE 3 | C 105 3 1/2 | 702 3 1/2 | |
| 3" RIGID/STD PIPE STRAP | 1.750 | NOTE 1 | NOTE 3 | C 105 3 | 702 3 | |
| 2 1/2" RIGID/STD PIPE STRAP | 1.438 | NOTE 1 | NOTE 3 | C 105 2 1/2 | 702 2 1/2 | |
| A | DESCRIPTION | B RADIUS | D MATERIAL | E FINISH | CAT NO KINDORF | CAT NO SUPERSTRUT |

NOTES:

1. MATERIAL: 12 GA. (.104) H.R. LOW CARBON STEEL.
2. MATERIAL: 12 GA. (.104) TYPE 304 STAINLESS STEEL.
3. FINISH: ELECTRO DEPOSITED ZINC BASE WITH YELLOW TRIVALENT CHROMIUM OUTER BARRIER.
4. FINISH: ELECTRO DEPOSITED ZINC.
5. MATERIAL. (.125) H.R. LOW CARBON STEEL.
6. MATERIAL, 11 GA. (.125) TYPE 304 STAINLESS STEEL.
7. MATERIAL, 12 GA. (.104) ALUMINUM.
8. MATERIAL, 11 GA. (.125) ALUMINUM.
9. MATERIAL, 12 GA. (.104) TYPE 316 STAINLESS STEEL.

| | | | | | |
|---|--|--|----------------------------|----------------------|----------------------------------|
| GENERAL NOTES | |  A Member of the ABB Group | | | |
| 1. ALL DIMENSIONS ARE FOR REFERENCE ONLY. 2. DIMENSIONS IN BRACKETS [] ARE IN METRIC UNITS. | | | | | |
| REVISIONS | | DESCRIPTION: KINDORF C105 AND SUPERSTRUT 702 SERIES PIPE STRAPS | | | |
| - | SEE ERN (****) FOR APPROVAL SIGNATURES & RELEASE DATE. PROJECT NO: **** | ORIGINAL PROJECT NO / (ERN NO) XM400032 / (2015693) | SHEET NO: 1 OF 1 | REV. NO: - | DRAWING NO: WSD-001307 |