

Bells Vibrating 720



Edwards 720 fully enclosed, non-adjustable bells are suitable for use in residential, commercial and OEM applications. They may be operated off of a 592 transformer or DC power. They are also suitable for AC powered security systems with a battery standby.

Features and Specifications

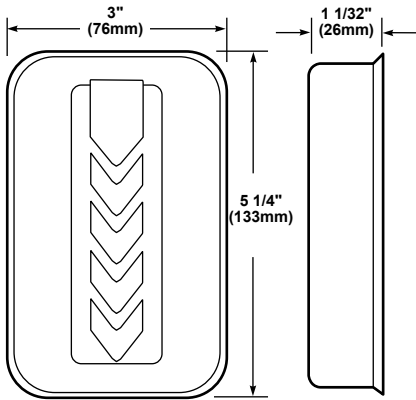
- Attractive snap-on covers
- Corrosion resistant metallic finish
- Enclosed binding posts

Ordering Information

Description	Cat. No.	Operating Voltage	Current	VA	dB at 1m/10ft.	DC Coil Res (Ohms)
Fully Enclosed, Non Adjustable	720	6-8V AC 3-6V DC	1.20 A	7.0	88/78	1.5

Weights and Dimensions

Cat. No.	Approx. Net Weight (lb.)	Approx. Shipping Weight (lb.)
720	0.44	0.46



Bells Vibrating 720



Edwards 720 fully enclosed, non-adjustable bells are suitable for use in residential, commercial and OEM applications. They may be operated off of a 592 transformer or DC power. They are also suitable for AC powered security systems with a battery standby.

Features and Specifications

- Attractive snap-on covers
- Corrosion resistant metallic finish
- Enclosed binding posts

Ordering Information

Description	Cat. No.	Operating Voltage	Current	VA	dB at 1m/10ft.	DC Coil Res (Ohms)
Fully Enclosed, Non Adjustable	720	6-8V AC 3-6V DC	1.20 A	7.0	88/78	1.5

Weights and Dimensions

Cat. No.	Approx. Net Weight (lb.)	Approx. Shipping Weight (lb.)
720	0.44	0.46

