

# Buzzers

## Economy

### 725 Series

Edwards 725 is a fully insulated, non-adjustable buzzer, suitable for residential, commercial and OEM applications. It is a fully enclosed unit with a snap-on cover.

#### Features and Specifications

- Fully enclosed
- Bright chrome finish snap-on cover
- Enclosed binding posts

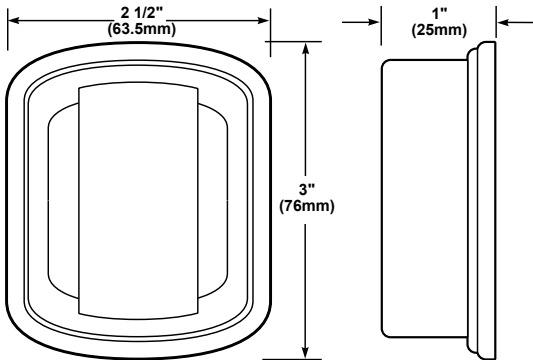


#### Ordering Information

Description	Cat. No.	Operating Voltage	Current	VA	dB at 1m/10ft.	DC Coil Res (Ohms)
Buzzer	725	6V AC	1.2 A max.	7.2	92/82	1.0

#### Weights and Dimensions

Cat. No.	Approx. Net Weight (lb.)	Approx. Shipping Weight (lb.)
725	0.26	0.28



# Buzzers

## Economy

### 725 Series

Edwards 725 is a fully insulated, non-adjustable buzzer, suitable for residential, commercial and OEM applications. It is a fully enclosed unit with a snap-on cover.

#### Features and Specifications

- Fully enclosed
- Bright chrome finish snap-on cover
- Enclosed binding posts



#### Ordering Information

Description	Cat. No.	Operating Voltage	Current	VA	dB at 1m/10ft.	DC Coil Res (Ohms)
Buzzer	725	6V AC	1.2 A max.	7.2	92/82	1.0

#### Weights and Dimensions

Cat. No.	Approx. Net Weight (lb.)	Approx. Shipping Weight (lb.)
725	0.26	0.28

