

Arrow Hart® specification grade AC decorator switches

| | |
|-----------------|--------------|
| Project Name: | Prepared By: |
| Project Number: | Date: |
| Catalog Number: | Type: |

Description

15A & 20A, 120/277V/AC
Single-Pole, Double-Pole, 3-Way, 4-Way

Design features

- Tapered back wire openings handle multiple wire sizes and types for applications up to #10 AWG solid or stranded wire
- One-piece wrap around auto-grounding strap for ground integrity in severe conditions
- Welded construction provides superior assembly security under heavy use
- Stippled line and ground contacts ensure solid contact; ground screw clamp provides secure wiring and reduces installation time
- Tarnish resistant with minimal color change over time



7603



7604



7621



7622

Table 1. AC Decorator Switches, back & side wire

| Catalog No. | Description | Amps | Volts | Color Suffix |
|-------------|-----------------------|------|---------|----------------------------|
| □ 7601__ | Single-pole decorator | 15 | 120/277 | A, B, BK, GY, LA, V, W |
| □ 7603__ | 3-way decorator | 15 | 120/277 | B, BK, GY, LA, V, W |
| □ 7604__ | 4-way decorator | 15 | 120/277 | B, BK, GY, LA, V, W |
| □ 7621__ | Single-pole decorator | 20 | 120/277 | A, B, BK, GY, LA, RD, V, W |
| □ 7622__ | Double-pole decorator | 20 | 120/277 | A, B, BK, GY, LA, V, W |
| □ 7623__ | 3-way decorator | 20 | 120/277 | A, B, BK, GY, LA, RD, V, W |
| □ 7624__ | 4-way decorator | 20 | 120/277 | A, B, BK, GY, LA, V, W |

Compliant with cULus and Fed. Spec

Compliances, specifications and availability are subject to change without notice.



Powering Business Worldwide

| | |
|-----------------|--------------|
| Project Name: | Prepared By: |
| Project Number: | Date: |
| Catalog Number: | Type: |

| | |
|--------------------------------------|--|
| Catalog No. | 7600 Series |
| Amps V/AC | 15A & 20A 120/277V Specification Grade Decorator Switches |
| Wiring Type | Back & side wire |
| Testing & Code Compliance | cULus Listed to UL 20, & CSA C22.2, no111, file no. E18704 UL Verified to Federal Spec WC-896E |
| Environmental Specifications | Flammability: Meets UL94 requirements; V2 rated Temperature Rating: -20°C to 60°C (-4°F to 140°F) |
| Electrical Specifications | Dielectric Voltage: Withstands 1500V per UL 20 Current Interrupting: Yes, at full-rated current Temperature Rise: Max. 30°C (86°F) after 100 cycles of overload and 30,000 cycles of endurance testing |
| Mechanical Specifications | Terminal Accommodation: #14 - 10 AWG Voltage Ratings: Permanently marked on device Horsepower Ratings: Rated for motor loads per UL 20: 15A: @ 120V/AC = 1/2 HP, @ 240V/AC = 2 HP; max. amps 12A 20A: @ 120V/AC = 1 HP, @ 240V/AC = 2 HP; max. amps 16A |

Table 2. Materials for AC decorator switches

| | |
|-----------------------------|--|
| Catalog No. | 7600 Series |
| Outer Switch Housing | Polycarbonate |
| Inner Switch Housing | Polycarbonate |
| Top Housing | Polycarbonate |
| Bottom Housing | PVC |
| Strap | 0.050" thick steel, 15A: zinc plated, 20A: brass plated |
| Auto Ground Clip | Phosphor bronze |
| Terminals | 0.035" thick brass |
| Terminal Screws | #8-32 steel with #10 head, brass plated; neutral screw nickel plated |
| Ground Screw | #8-32 steel, zinc plated, green |
| Backwire Clamp | Steel, brass plated |
| Contacts | Silver alloy |
| Moveable Contact Arm | Brass |
| Pressure Plate | Brass |

Table 3. Color Ordering Information

For ordering devices, include Catalog no. followed by the Color suffix: A (Almond), B (Brown), BK (Black), GY (Gray), LA (Light Almond), R (Red), V (Ivory), W (White)

| | | | | | | | |
|----------|----------|-----------|-----------|----------------|----------|----------|----------|
| A | B | BK | GY | LA | R | V | W |
| (Almond) | (Brown) | (Black) | (Gray) | (Light Almond) | (Red) | (Ivory) | (White) |

| | |
|-----------------|--------------|
| Project Name: | Prepared By: |
| Project Number: | Date: |
| Catalog Number: | Type: |

Product Dimensions

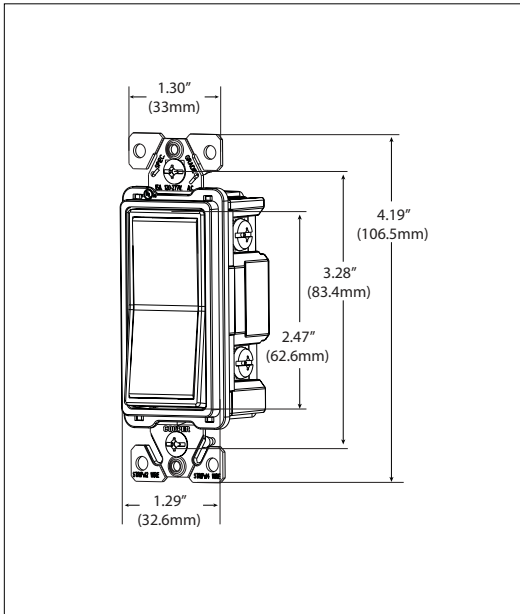






Figure 1. 7621, 7622, 7623, 7624 Line art with dimensions

Certifications & Compliances

| Catalog No. |  |  |  |
|-------------|---|---|---|
| 7601 | • | • | • |
| 7603 | • | • | • |
| 7604 | • | • | • |
| 7621 | • | • | • |
| 7622 | • | • | • |
| 7623 | • | • | • |
| 7624 | • | • | • |

KEY:  cULus  Fed. Spec  RoHS

 Parts are manufactured and designed in accordance with article 4 of the European Union's RoHS2 directive 2011/65/EU

Compliances, specifications and availability are subject to change without notice.

Electrical Sector
203 Cooper Circle
Peachtree City, GA 30269
United States
Eaton.com
Eaton.com/arrowhart

Electrical Sector
Canada Operations
5925 McLaughlin Road
Mississauga, Ontario, L5R 1B8
Canada
EatonCanada.ca
Eaton.com/arrowhart

Electrical Sector
Mexico Operations
Carr. Tlalhepantla -
Cuautitlan Km 17.8 s/n
Col. Villa Jardin esq.
Cerrada 8 de Mayo
Cuautitlan, Mexico CP 54800
Mexico
Eaton.mx
Eaton.com/arrowhart

Arrow Hart® specification grade AC decorator switches

| | |
|-----------------|--------------|
| Project Name: | Prepared By: |
| Project Number: | Date: |
| Catalog Number: | Type: |

Description

15A & 20A, 120/277V/AC
Single-Pole, Double-Pole, 3-Way, 4-Way

Design features

- Tapered back wire openings handle multiple wire sizes and types for applications up to #10 AWG solid or stranded wire
- One-piece wrap around auto-grounding strap for ground integrity in severe conditions
- Welded construction provides superior assembly security under heavy use
- Stippled line and ground contacts ensure solid contact; ground screw clamp provides secure wiring and reduces installation time
- Tarnish resistant with minimal color change over time



7603



7604



7621



7622

Table 1. AC Decorator Switches, back & side wire

| Catalog No. | Description | Amps | Volts | Color Suffix |
|-------------|-----------------------|------|---------|----------------------------|
| □ 7601__ | Single-pole decorator | 15 | 120/277 | A, B, BK, GY, LA, V, W |
| □ 7603__ | 3-way decorator | 15 | 120/277 | B, BK, GY, LA, V, W |
| □ 7604__ | 4-way decorator | 15 | 120/277 | B, BK, GY, LA, V, W |
| □ 7621__ | Single-pole decorator | 20 | 120/277 | A, B, BK, GY, LA, RD, V, W |
| □ 7622__ | Double-pole decorator | 20 | 120/277 | A, B, BK, GY, LA, V, W |
| □ 7623__ | 3-way decorator | 20 | 120/277 | A, B, BK, GY, LA, RD, V, W |
| □ 7624__ | 4-way decorator | 20 | 120/277 | A, B, BK, GY, LA, V, W |

Compliant with cULus and Fed. Spec

Compliances, specifications and availability are subject to change without notice.



Powering Business Worldwide

| | |
|-----------------|--------------|
| Project Name: | Prepared By: |
| Project Number: | Date: |
| Catalog Number: | Type: |

| | |
|--------------------------------------|--|
| Catalog No. | 7600 Series |
| Amps V/AC | 15A & 20A 120/277V Specification Grade Decorator Switches |
| Wiring Type | Back & side wire |
| Testing & Code Compliance | cULus Listed to UL 20, & CSA C22.2, no111, file no. E18704 UL Verified to Federal Spec WC-896E |
| Environmental Specifications | Flammability: Meets UL94 requirements; V2 rated Temperature Rating: -20°C to 60°C (-4°F to 140°F) |
| Electrical Specifications | Dielectric Voltage: Withstands 1500V per UL 20 Current Interrupting: Yes, at full-rated current Temperature Rise: Max. 30°C (86°F) after 100 cycles of overload and 30,000 cycles of endurance testing |
| Mechanical Specifications | Terminal Accommodation: #14 - 10 AWG Voltage Ratings: Permanently marked on device Horsepower Ratings: Rated for motor loads per UL 20: 15A: @ 120V/AC = 1/2 HP, @ 240V/AC = 2 HP; max. amps 12A 20A: @ 120V/AC = 1 HP, @ 240V/AC = 2 HP; max. amps 16A |

Table 2. Materials for AC decorator switches

| | |
|-----------------------------|--|
| Catalog No. | 7600 Series |
| Outer Switch Housing | Polycarbonate |
| Inner Switch Housing | Polycarbonate |
| Top Housing | Polycarbonate |
| Bottom Housing | PVC |
| Strap | 0.050" thick steel, 15A: zinc plated, 20A: brass plated |
| Auto Ground Clip | Phosphor bronze |
| Terminals | 0.035" thick brass |
| Terminal Screws | #8-32 steel with #10 head, brass plated; neutral screw nickel plated |
| Ground Screw | #8-32 steel, zinc plated, green |
| Backwire Clamp | Steel, brass plated |
| Contacts | Silver alloy |
| Moveable Contact Arm | Brass |
| Pressure Plate | Brass |

Table 3. Color Ordering Information

For ordering devices, include Catalog no. followed by the Color suffix: A (Almond), B (Brown), BK (Black), GY (Gray), LA (Light Almond), R (Red), V (Ivory), W (White)

| | | | | | | | |
|----------|----------|-----------|-----------|----------------|----------|----------|----------|
| A | B | BK | GY | LA | R | V | W |
| (Almond) | (Brown) | (Black) | (Gray) | (Light Almond) | (Red) | (Ivory) | (White) |

| | |
|-----------------|--------------|
| Project Name: | Prepared By: |
| Project Number: | Date: |
| Catalog Number: | Type: |

Product Dimensions

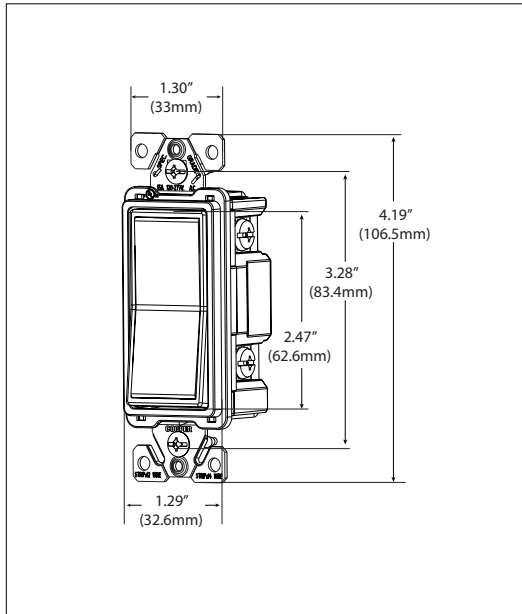






Figure 1. 7621, 7622, 7623, 7624 Line art with dimensions

Certifications & Compliances

| Catalog No. |  |  |  |
|-------------|---|---|---|
| 7601 | • | • | • |
| 7603 | • | • | • |
| 7604 | • | • | • |
| 7621 | • | • | • |
| 7622 | • | • | • |
| 7623 | • | • | • |
| 7624 | • | • | • |

KEY:  cULus  Fed. Spec  RoHS

 Parts are manufactured and designed in accordance with article 4 of the European Union's RoHS2 directive 2011/65/EU

Compliances, specifications and availability are subject to change without notice.

Electrical Sector
203 Cooper Circle
Peachtree City, GA 30269
United States
Eaton.com
Eaton.com/arrowhart

Electrical Sector
Canada Operations
5925 McLaughlin Road
Mississauga, Ontario, L5R 1B8
Canada
EatonCanada.ca
Eaton.com/arrowhart

Electrical Sector
Mexico Operations
Carr. Tlalhepantla -
Cuautitlan Km 17.8 s/n
Col. Villa Jardin esq.
Cerrada 8 de Mayo
Cuautitlan, Mexico CP 54800
Mexico
Eaton.mx
Eaton.com/arrowhart