

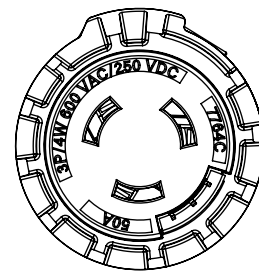
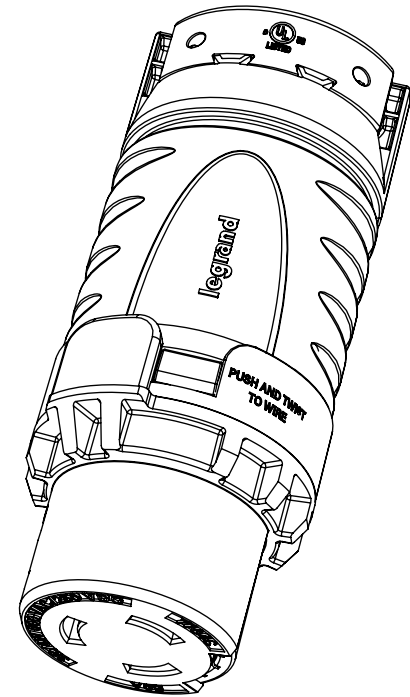
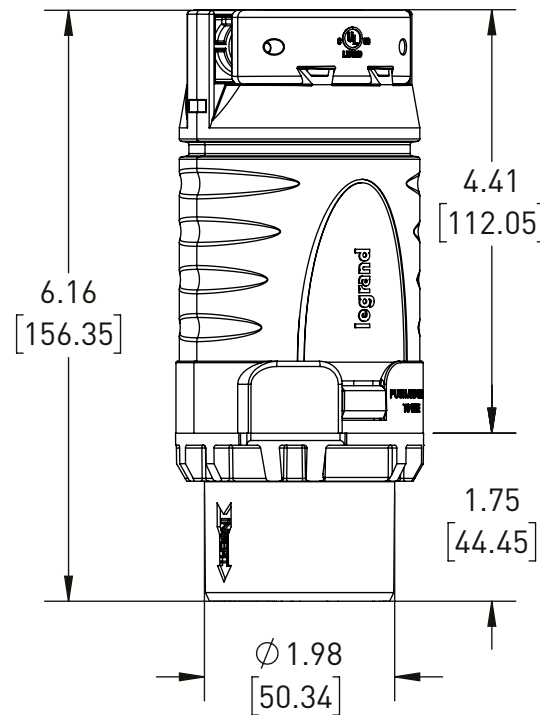
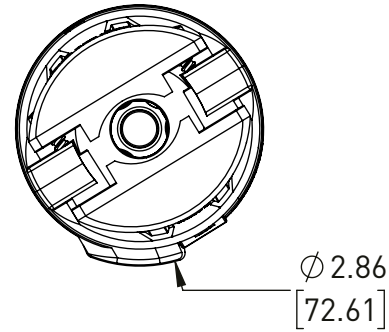
4

3

2

1

| REVISIONS | | | | | |
|-----------|---------|----------|-------------|------------|------------|
| REV. | EC. NO. | DATE | DESCRIPTION | CREATED BY | CHECKED BY |
| A | | 3/8/2024 | RELEASE | JR | |



Notes:

- BASE CATALOG NUMBER- 7764C
- ELECTRICAL RATING: 3P/4W 50A 600 VAC/250 VDC REPLACEMENT ONLY
- 3RD PARTY LISTING:
 - cULus LISTED:
 - File Number E146159
 - Standard UL498, Attachment Plugs and Receptacles
 - Standard CSA-C22.2 No. 42, General Use Receptacles and Attachment Plugs
- TERMINATIONS:
 - Back wire set screw terminals
 - #8 TO#4 AWG WIRE
- USE COPPER WIRE ONLY
- MATERIAL: NYLON

ENVIRONMENTAL MATERIAL REQUIREMENTS
 MATERIALS, PRODUCTS, PARTS AND ASSEMBLIES PROVIDED UNDER THIS DRAWING MUST MEET THE REQUIREMENTS DETAILED IN THE LATEST REVISION OF THE LEGRAND, NORTH & CENTRAL AMERICA CORPORATE ENVIRONMENTAL MATERIAL REQUIREMENTS (EMR) DOCUMENT EMS-009. ANY DEVIATION FROM THE EMR REQUIREMENTS MUST BE APPROVED BY AN AUTHORIZED REPRESENTATIVE OF LEGRAND PRODUCT ENGINEERING IN WRITING. THE LATEST EMR DOCUMENT IS AVAILABLE ON REQUEST.

| | | | | |
|---|--------------------------|-------------------|---|-------------------------------|
| Unspecified Tol. Frac ±1/64 Angles ±1.0 | Tool Number: | Finish: | Drawing Title CUSTOMER DRAWING 7764C | |
| | Material: | | Scale: 1:2 Sheet: 1 of 1 | Recom Drawing No: A |
| | Part Weight: | Date: | | |
| | Created By: Josh RYAN | Date: 3/8/2024 | P&S Drawing No. CAD3333-PS-7764C | |
| Do Not Scale Drawing | Checked By: | Date: | NOTICE: Proprietary and confidential information of Pass & Seymour/Legrand. Reproduction or disclosure prohibited under penalty of law. | |

4

3

2

1

B

B

A

A