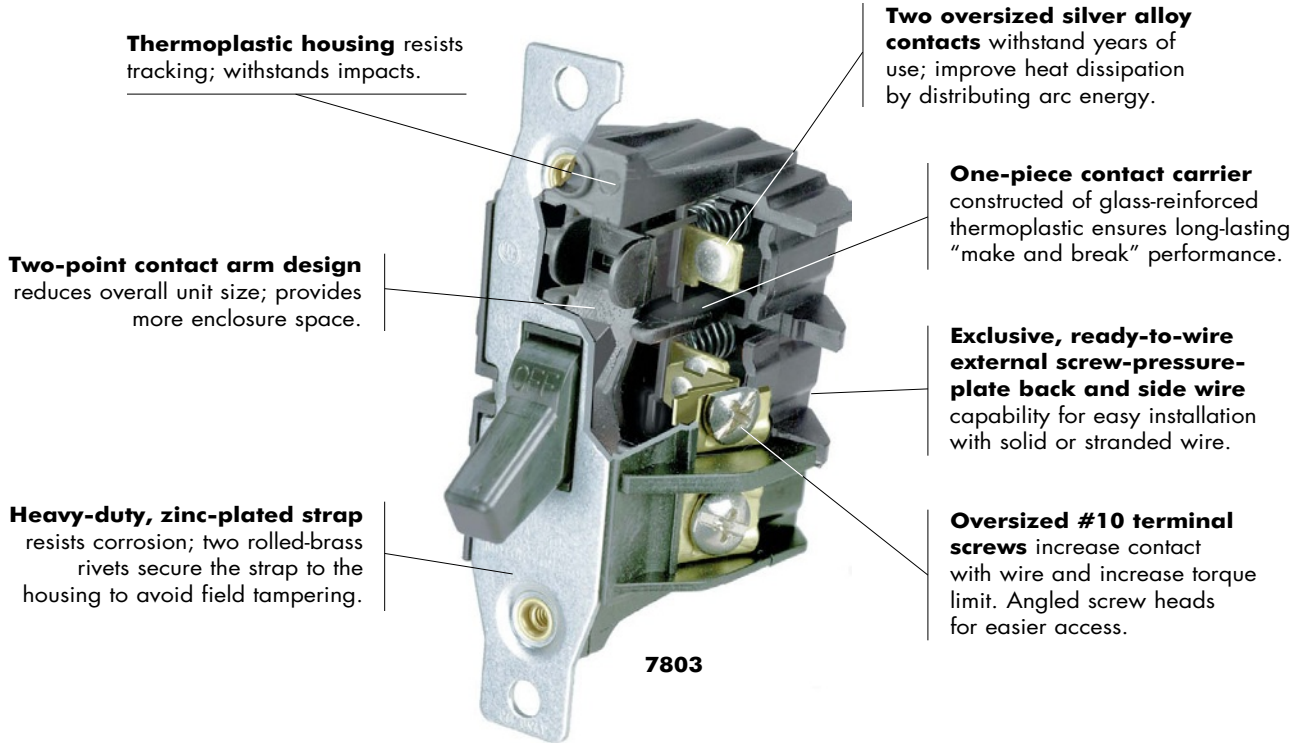


Switches Manual Controllers



NEMA Type Enclosures

NEMA Type 1 Enclosures – Intended for indoor use primarily to provide a degree of protection against limited amounts of falling dirt in locations where unusual service conditions do not exist.

NEMA Type 7 Enclosures – Intended for indoor use in locations classified as Class 1, Group A, B, C, or D, as defined in the National Electrical Code. They shall be capable of withstanding the pressures resulting from an internal explosion of specified gases, and contain such an explosion sufficient that an explosive gas-air mixture existing in the atmosphere surrounding the enclosure will not be ignited. Enclosed heat generating devices shall not cause external surfaces to reach temperatures capable of igniting explosive gas-air mixtures in the surrounding atmosphere. Enclosures shall meet explosion, hydrostatic, and temperature design tests.

NEMA Type 3R Enclosures – Intended for outdoor use primarily to provide a degree of protection against rain and sleet; and to be undamaged by the formation of ice on the enclosure. They are not intended to provide protection against conditions such as internal condensation, or internal icing.

NEMA Type 9 Enclosures – Intended for indoor use in locations classified as Class II, Groups E, F, or G, as defined in the National Electrical Code. They shall be capable of preventing the entrance of dust. Enclosed heat generating devices shall not cause external surfaces to reach temperatures capable of igniting or discoloring dust on the enclosure or igniting dust-air mixtures in the surrounding atmosphere. Enclosures shall meet dust penetration and temperature design tests, and aging of gaskets (if used).

Switches Manual Controllers

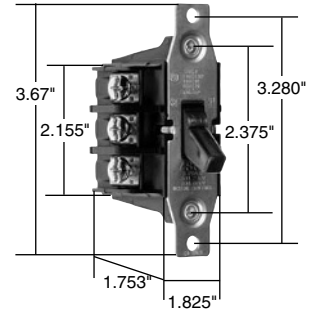
30A, 1Ø & 3Ø



Pass & Seymour

Features — 7802 & 7803

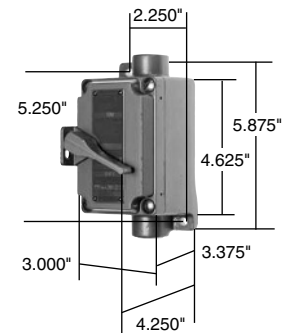
- High horsepower rating of 20HP.
- Compact design.
- Gull-wing shaped brass terminal pressure clamps.
- Constructed of glass-reinforced thermoplastic.
- Two-point contact arms.
- One-piece contact carrier.
- UL508 and cULus Listing of individual device and assembled device within enclosure.
- Heavy-duty zinc-plated steel strap.
- Two brass rivets secure strap to housing.
- External screw-pressure-plate back and side wire terminal screws unstaked for use with ring terminals.
- Oversized silver alloy contacts.
- 2-3/4" hubs (7812EX and 7813EX).
- 2-1/2" knockouts on back and 2-1/2"-3/4" knockouts on top and bottom (7812P, 7813P, 7806P).
- 2-1/2" knockouts on bottom and back (7832 and 7833).



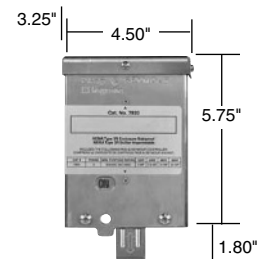
**7802
7803**



**7812P
7813P**



**7812EX
7813EX**



**7832
7833**

Catalog Number	Description	Rating			
		A.	VAC	HP	VAC
Double Pole, Single Phase					
7802	Double Pole, Single Phase AC Manual Motor Controller (No overload protection)	General Use 30	600 max.	2 3 7.5 10	120 240 480 600
7802MD	7802, See Footnote 1	Same as 7802			
7812P	7802 in a NEMA 1 Enclosure	Same as 7802			
7812PMD	7812P, See Footnote 1	Same as 7802			
7812EX	7802 in a NEMA 7 and 9 Enclosure for Hazardous Locations Class I – Groups C, D; Class II – Groups E, F, G	Same as 7802			
7832	7802 in a NEMA 3R Enclosure	Same as 7802			
7832MD	7832, See Footnote 1	Same as 7802			
Three Pole, Three Phase					
7803	Three Pole, Three Phase AC Manual Motor Controller (No overload protection)	General Use 30	600 max.	3 7.5 10 20	120 240 480 600
7803MD	7803, See Footnote 1	Same as 7803			
7813P	7803 in a NEMA 1 Enclosure	Same as 7803			
7813PMD	7813-P, See Footnote 1	Same as 7803			
7813EX	7803 in a NEMA 7 & 9 Enclosure for Hazardous Locations Class I – Groups C, D; Class II – Groups E, F, G	Same as 7803			
7833	7803 in a NEMA 3R Enclosure	Same as 7803			
7833MD	7833, See Footnote 1	Same as 7803			

7806P NEMA 1 Black Nylon Enclosure with 1/2" and 3/4" knockouts at each end.

7801P Handle Locking Guard has opening for padlock to secure control in either ON or OFF position.

7830 NEMA 3R Aluminum Enclosure.

All Industrial Control Equipment is suitable for use in a circuit capable of deliverable not more than 5,000 rms amperes at 600VAC maximum or equivalent.

Footnote:

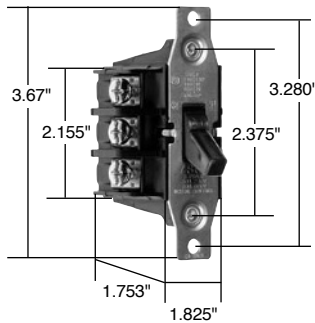
1. Suitable as Motor Disconnect – 10KA @ 600VAC, 30A max. Class J Fuse.



Pass & Seymour

Technical Specifications Manual Controller Switches

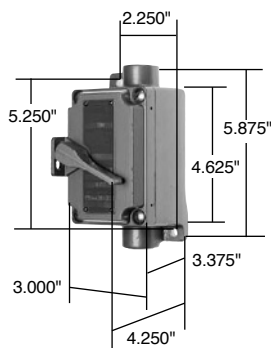
30A, 600VAC, 1 ϕ & 3 ϕ



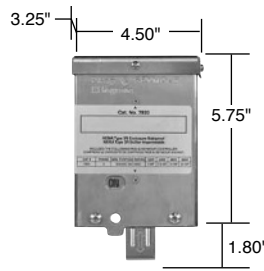
**7802
7803**



**7812P
7813P**



**7812EX
7813EX**



**7832
7833**

Typical Specifications

Manufacturer's Identification: Legrand/Pass & Seymour 7802

Description: Manual Controller, Double Pole, Single Phase

Rating: 30A, 600VAC max.

3rd Party Compliance: UL Listed, File Number E31169, Standard UL508, Industrial Control Equipment; CSA Certified, File Number LR17949, Standard CSA-C22.23, No. 14, Industrial Control Equipment. Conforms to NEMA WD-1 and WD-6.

Catalog Number	Rating	Description
□ 7802	General Use 2 120	Double Pole, Single Phase AC Manual Motor Starting Switch (No overload protection)
	30 600Max. 3 240	
	7.5 480	
	10 600	
□ 7802MD	Same as 7802	7802, See Footnote 1
□ 7812P	Same as 7802	7802 in a NEMA 1 Enclosure
□ 7812PMD	Same as 7802	7812P, See Footnote 1
□ 7812EX	Same as 7802	7802 in a NEMA 7 & 9 Enclosure for Hazardous Locations Class I – Groups C, D; Class II – Groups E, F, G
□ 7832	Same as 7802	7802 in a NEMA 3R Enclosure
□ 7832MD	Same as 7802	7832, See Footnote 1
□ 7803	General Use 3 120	Three Phase, Three Pole AC Manual Motor Starting Switch (No overload protection)
	30 600Max. 7.5 240	
	10 480	
	20 600	
□ 7803MD	Same as 7803	7803, See Footnote 1
□ 7813P	Same as 7803	7803 in a NEMA 1 Enclosure
□ 7813PMD	Same as 7803	7813P, See Footnote 1
□ 7813EX	Same as 7803	7803 in a NEMA 7 & 9 Enclosure for Hazardous Locations Class I – Groups C, D; Class II – Groups E, F, G
□ 7833	Same as 7803	7803 in a NEMA 3R Enclosure
□ 7833MD	Same as 7803	7803, See Footnote 1

All Industrial Control Equipment is suitable for use in a circuit capable of deliverable not more than 5,000 rms amperes at 600VAC maximum or equivalent.

Footnote 1. Suitable as Motor Disconnect – 10KA @ 600VAC, 30A max. Class J Fuse

Performance

Electrical

Dielectric Withstand Voltage	2000V Minimum
Maximum Working Voltage	600VAC
Overload	50 cycles, 132 Amps/600VAC .5 PF
Temperature Rise	50°C maximum
Maximum Continuous Current	30A
Endurance	1000 Cycles, 44Amp/600VAC 0.5 PF 5000 Cycles, 30Amp/600VAC 0.75 PF

Mechanical

Terminal Accommodations	#14 AWG – #10 AWG copper or copper-clad wire
-------------------------	--

Environmental

Flammability	UL94 V2
Operating Temperature	Maximum continuous +75°C, minimum -40°C

Materials

Back Body	Nylon	Terminal Screws	Brass
Front Body	Nylon	Leaf Springs	Stainless Steel
Carrier	Nylon	Coil Springs	Zinc-Plated Steel
Toggle	Nylon	Strap	Zinc-Plated Steel
Contact Arm	Brass	Rivets	Brass
Terminals	Brass	Contacts	Silver Cadmium Oxide

Project

Location/Type