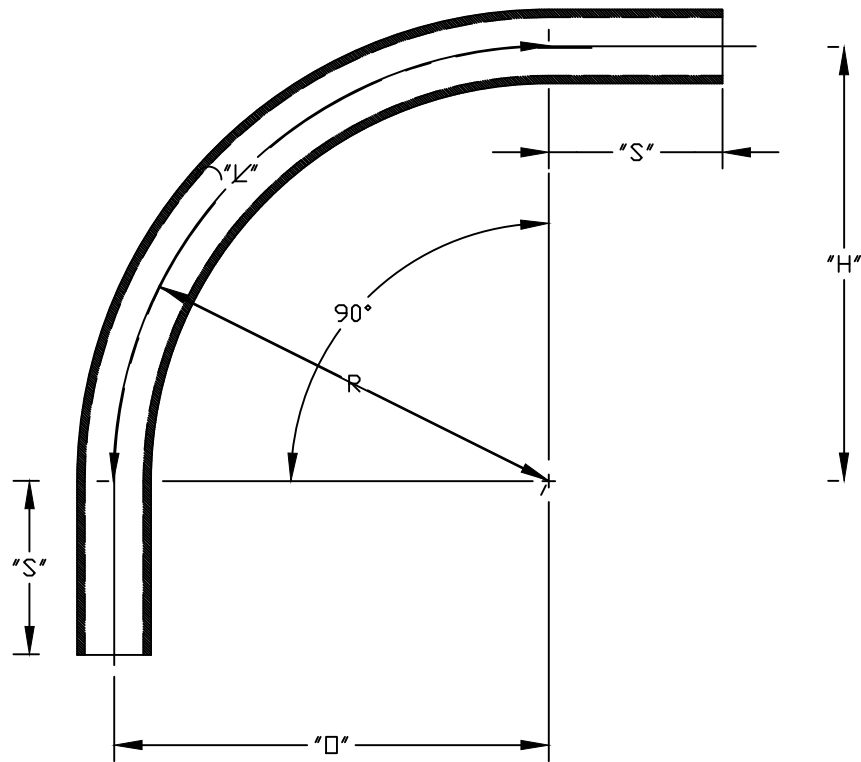


PART NUMBER	SIZE	"R"	"□"	"H"	"S" MIN	"B" MIN	"L"
5121018	1"	24"	24"	24"	1 7/8"	N/A	37 3/4"
5119824	1 1/4"	24"	24"	24"	2"	N/A	37 3/4"
5121015	1 1/2"	24"	24"	24"	2"	N/A	37 3/4"
5121019	2"	24"	24"	24"	2"	N/A	37 3/4"
5121028	2 1/2"	24"	24"	24"	3"	N/A	37 3/4"
5121020	3"	24"	24"	24"	3 1/8"	N/A	37 3/4"
5121022	4"	24"	24"	24"	3 3/8"	N/A	37 3/4"



ETL LISTED  
 CONFORMS TO UL651  
 ETL CONTROL #3107144  
 CONFORMS TO NEMA TC3  
 SEE NEC ARTICLE 352 FOR USE  
 MATERIAL IS RIGID PVC  
 BEND TOLERANCE IS ±2°

**CANTEX**  
 INC.  
 Fort Worth, TEXAS

90° Elbows Plain End  
 Schedule 80 24" Radius Elbows

Drawn By: O.M.

Date: 7/17/17

Ref. 5121018



All dimensions are nominal