



Catalog Number: 8104-SC1-NK
Item Description: N1 SCREW COVER ENCL NK
UPC Code: 784572108806

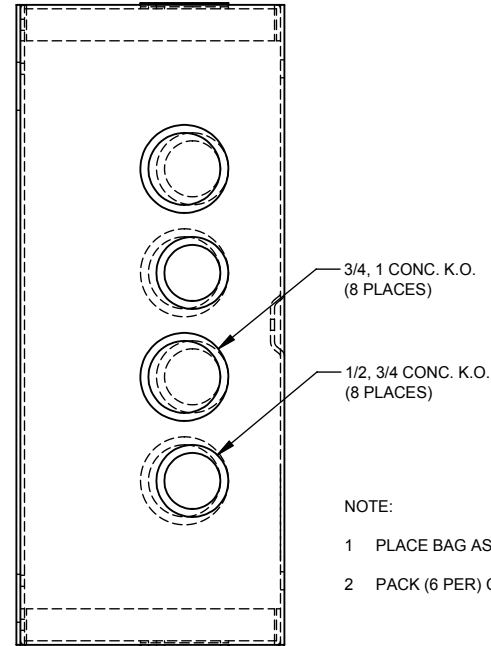
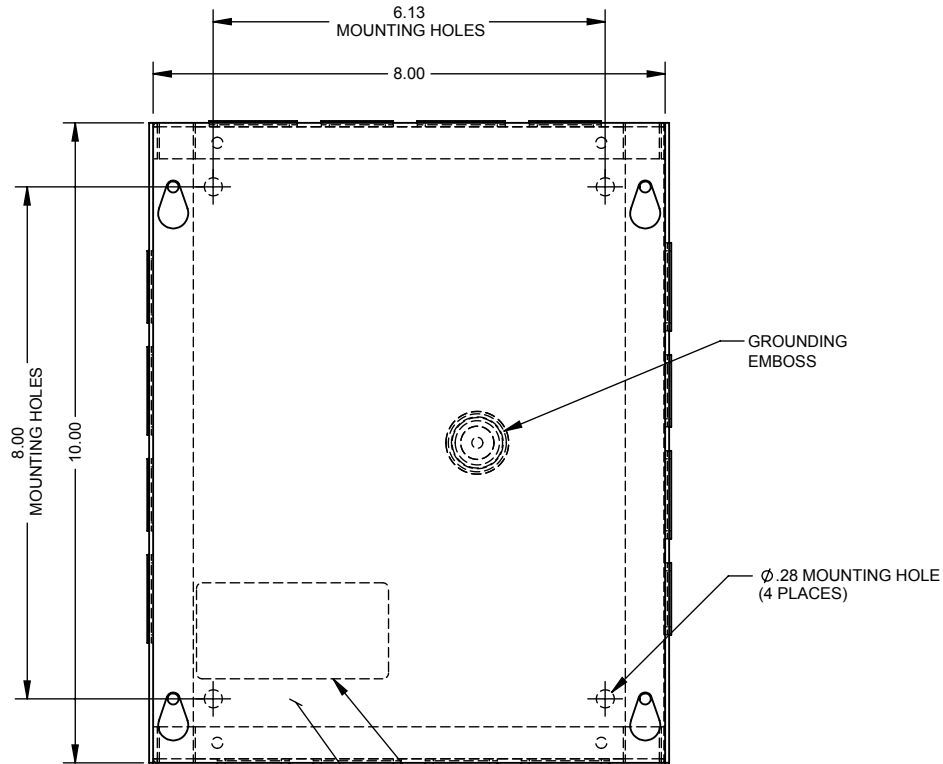
Brand Name: Milbank
Type: Screw Cover
Special Features: Cover Secured with Plated Screws
Application: Enclosure for Mounting Electrical Equipment
Standard: UL Listed
Number Of Outlet: 0
Material: Steel with Powder Coat Finish
Color: ANSI 61 Gray
Mounting: Wall Mount
NEMA Rating: Type 1



Utility requirements may vary. Always consult the serving utility for their requirements prior to ordering or installing this equipment. This product must always be installed by a licensed electrician. Installation of this equipment may require local electrical inspector approval.

CATALOG#	LABEL#
8104-SC1-()	1002135
RC-8104-SC1-()	1125021
SPSC-1084()	1132714

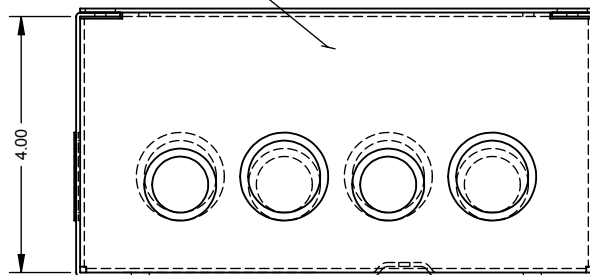
NO.	CRS/QTY.	PART NO	DESCRIPTION
1	1	1010827	BACK WELDMENT
2	1	1002475	BAG ASSY, GROUND SCREW (NOT SHOWN)
3	1	1002646	BAG ASSY, SCREWS (NOT SHOWN)
4	1	1011627	CARTON
5	1	(SEE CHART)	COVER PLATE
6	1	(SEE CHART)	LABEL, UL LISTING



NOTE:


- 1 PLACE BAG ASS'Y INSIDE ENCLOSURE (NOT SHOWN).
- 2 PACK (6 PER) CARTON.

1 5 6 (APPLY INSIDE BACK)



CATALOG P/N	ROI P/N	MATERIAL	FINISH
8104-SC1	1011771	CRS	ANSI 61 GRAY
8104-SC1-NP	1104173	GALVANIZED	NO PAINT

REV.	DATE	DESCRIPTION	ECO No.	BY
*3	8/26/15	FIXED CATALOG CONFIGURATION, CHANGED MLB CARTON # TO MATCH PRINT CARTON #	032721	BNM

Material:	SEE CHART	 <p>KANSAS CITY, MO USA</p>
Shear/Die No.:		
Finish:	SEE CHART	
Part Wt.:	LBS. EA.	
Paint Qty.:	GRAMS	Title: 8 x 10 x 4 SCREW COVER TYPE 1 ENCLOSURE
Tolerances: Unless Specified Otherwise X.X ±.1 X.XX ±.03 X.XXX ±.015 X" ±2"	Third Angle	Catalog No.: SEE CHART
Scale: NTS	Checked By:	Customer: MILBANK STD.
Drawn By:	Approved By:	Drawing No.: 1011771
		Date:
		Sheet: 1 of 1



Catalog Number: 8104-SC1-NK
Item Description: N1 SCREW COVER ENCL NK
UPC Code: 784572108806

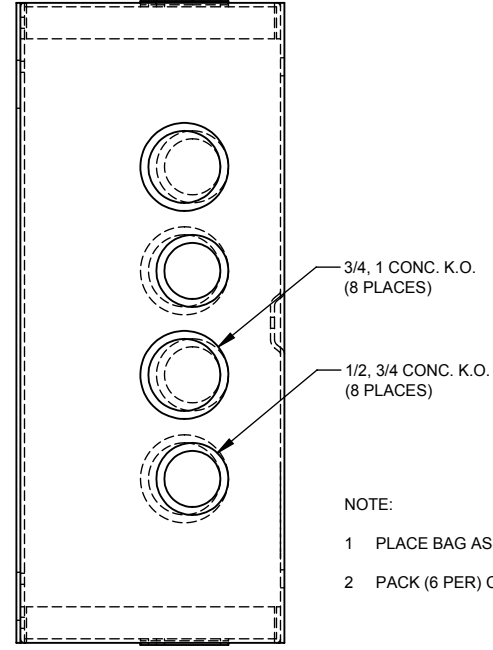
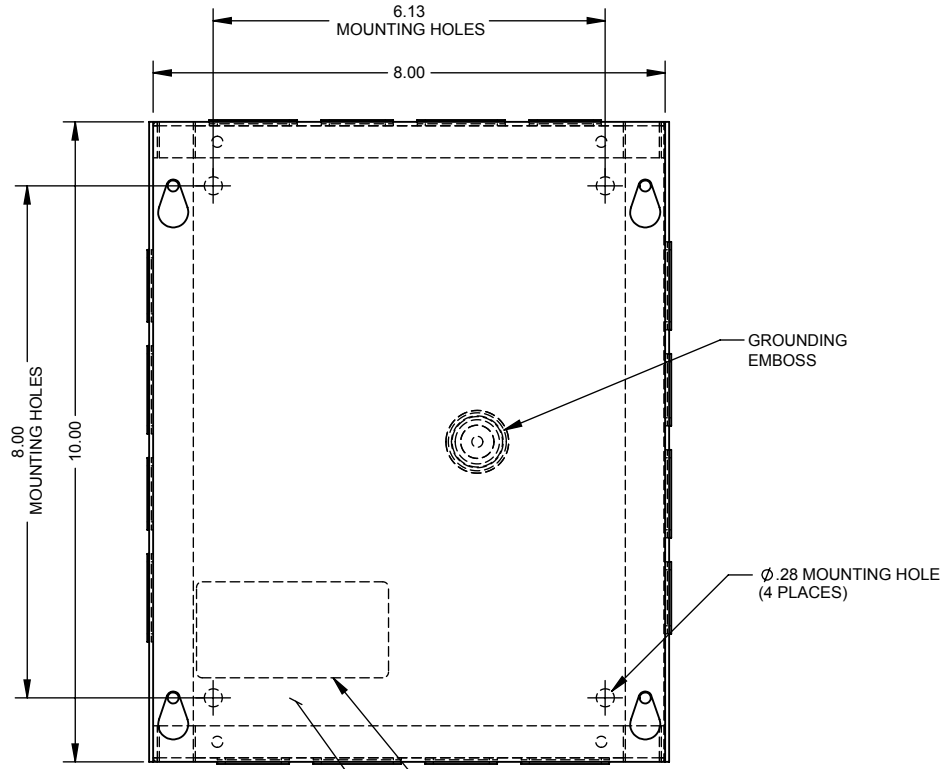
Brand Name: Milbank
Type: Screw Cover
Special Features: Cover Secured with Plated Screws
Application: Enclosure for Mounting Electrical Equipment
Standard: UL Listed
Number Of Outlet: 0
Material: Steel with Powder Coat Finish
Color: ANSI 61 Gray
Mounting: Wall Mount
NEMA Rating: Type 1



Utility requirements may vary. Always consult the serving utility for their requirements prior to ordering or installing this equipment. This product must always be installed by a licensed electrician. Installation of this equipment may require local electrical inspector approval.

CATALOG#	LABEL#
8104-SC1-()	1002135
RC-8104-SC1-()	1125021
SPSC-1084()	1132714

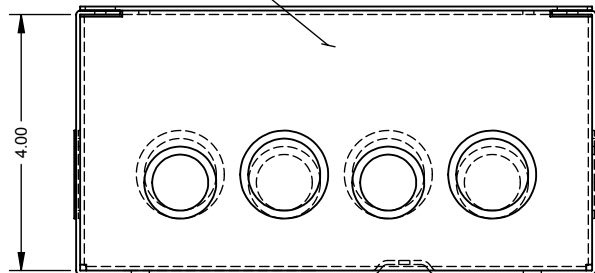
NO.	CRS/QTY.	PART NO	DESCRIPTION
1	1	1010827	BACK WELDMENT
2	1	1002475	BAG ASSY, GROUND SCREW (NOT SHOWN)
3	1	1002646	BAG ASSY, SCREWS (NOT SHOWN)
4	1	1011627	CARTON
5	1	(SEE CHART)	COVER PLATE
6	1	(SEE CHART)	LABEL, UL LISTING



NOTE:


- 1 PLACE BAG ASS'Y INSIDE ENCLOSURE (NOT SHOWN).
- 2 PACK (6 PER) CARTON.

1 5 6 (APPLY INSIDE BACK)



CATALOG P/N	ROI P/N	MATERIAL	FINISH
8104-SC1	1011771	CRS	ANSI 61 GRAY
8104-SC1-NP	1104173	GALVANIZED	NO PAINT

REV.	DATE	DESCRIPTION	ECO No.	BY
*3	8/26/15	FIXED CATALOG CONFIGURATION, CHANGED MLB CARTON # TO MATCH PRINT CARTON #	032721	BNM

Material:	SEE CHART	 <p>KANSAS CITY, MO USA</p>
Shear/Die No.:		
Finish:	SEE CHART	
Part Wt.:	LBS. EA.	
Paint Qty.:	GRAMS	Title: 8 x 10 x 4 SCREW COVER TYPE 1 ENCLOSURE
Tolerances: Unless Specified Otherwise X.X ±.1 X.XX ±.03 X.XXX ±.015 X" ±2"	Third Angle	Catalog No.: SEE CHART
Scale: NTS	Checked By:	Customer: MILBANK STD.
Drawn By:	Approved By:	Drawing No.: 1011771
		Date:
		Sheet: 1 of 1