



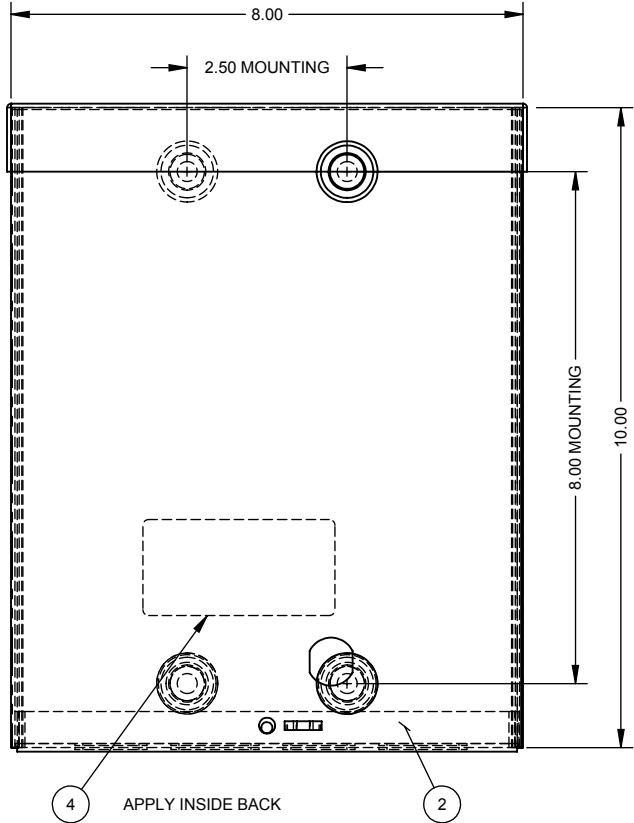
Catalog Number: 8104-SC3R-NK
Item Description: N3R SCREW COVER ENCL NK
UPC Code: 784572108837

Brand Name: Milbank
Type: Screw Cover
Special Features: Drip Shield Top, Cover Secured with Plated Screw, Mounting Embosses on Enclosure Back
Application: Enclosure for Mounting Electrical Equipment
Standard: UL Listed
Number Of Outlet: 0
Material: Steel with Powder Coat Finish
Color: ANSI 61 Gray
Mounting: Wall Mount
NEMA Rating: Type 3R



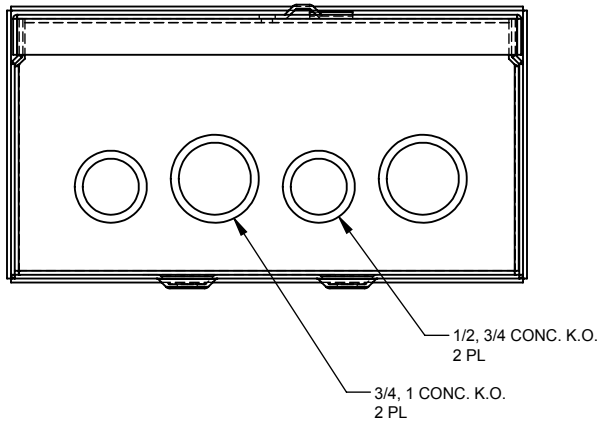
Utility requirements may vary. Always consult the serving utility for their requirements prior to ordering or installing this equipment. This product must always be installed by a licensed electrician. Installation of this equipment may require local electrical inspector approval.

CATALOG#	LABEL#
8104-SC3R	1002135
RC-8104-SC3R	1125021
SPRSC-1084	1132714



ITEM	QTY.	PART NUMBER	DESCRIPTION
1	1	(SEE CHART)	BACK WELDMENT
2	1	1011031	FRONT
3	1	1002170	BAG OF NEMA SCREWS
4	1	(SEE CHART)	LABEL (UL)
5	0.33	1002933	CARTON (NOT SHOWN)

SUFFIX	WELDMENT
NONE	1011203
-NK	1157117



NEMA DWG.: #177

Material:	16 GA. GALVANIZED		<p>General Offices: Kansas City, MO</p>	
Shear/ Die#:				
Finish:	ANSI 61 GRAY		Title:	8 x 10 x 4 SCREW COVER TYPE 3R ENCLOSURE
Part Wt.:			Catalog No.:	
Tolerances:			Customer:	MILBANK STANDARD
Unless Specified Otherwise X.X ±.1 X.XX ±.03 X.XXX ±.015 X* ±2*			Drawing No.:	1011772
Scale:	NTS	Checked By:	Date:	03/12/03
Drawn By:	DC	Approved By:	Sheet	1 of 1

REV.	DATE	DESCRIPTION	BY
D	10/21/11	1002933 WAS 1011627 (ECO #21492)	D.F.
D1	1-6-12	CHARTED WELDMENT (ECO #21733)	DL
E	3/9/12	1002933 (.33) WAS (1) (ECO #22014)	D.F.