

Low Profile Design Combines Functionality With Aesthetics Ideal for Low Voltage and Power Applications

400, 800, 2300 and 2300BACD Series™ Raceway, are a family of low-profile raceways that are designed for communication or power applications. 400, 800 and 2300 Raceway offer a single channel for either communication or power. And when power and low voltage services are both needed in a single raceway, the divided 2300BACD Raceway with its low-profile design, is an easy-to-install option.

400,800,2300 and 2300BACD Raceways are an ideal solution for use in classrooms, offices, hospitality applications, or anywhere a small, secure, low profile raceway is needed.



2300D Series Raceway in a typical office application.

FEATURES & BENEFITS

- **Accommodates communication and/or power wiring.** Can be used for communications, computer lines, surveillance systems, fire alarms, outlets, and more.
- **Available in three sizes.** 400, 800, and 2300 sizes provide flexibility for meeting a variety of capacity and space requirements. Perfect for most small drops and horizontal runs to work stations.
- **Durable, textured PVC construction.** Available in ivory or white finish to blend with any decor. Also paintable using latex paint. Consult factory for custom color options.
- **Single- and dual-compartment low profile design.** Provides functionality and flexibility with aesthetics for single- or dual-service applications.
- **Adhesive backing for low voltage (under 50V) applications.** Allows base to be pressed onto mounting surface. Speeds installation.
- **Lightweight and easy to handle.** Saves time and labor costs. Standard 5' (1.525m) raceway lengths can be easily installed by one person. Custom lengths up to 10' (3.05m) are also available.
- **Divided FiberReady® fittings.** For use with 2300BAC and 2300BACD. Full capacity fittings provide 2" (51mm) bend radius.
- **Over-the-raceway box for 2300 and 2300D.** Boxes mount over continuous run of raceway base eliminating the need to cut raceway when locating devices.
- **Sure-Snap® boxes for 2300BACD.** Provides flush look and ease of installation.
- **Snap-on cover.** Provides security with access to wiring for changes or additions.
- **Datacom connectivity options.** Accepts industry standard and proprietary devices from a wide range of manufacturers to provide a seamless and aesthetically pleasing interface for voice, data, audio, and video applications at the point of use.
- **cULus Listed.** File E90378 Raceway, E90377 Fittings.



PEP
ECO
PASS
PORT®

Download this product's PEP ecopassport® environmental product declaration at www.legrand.us/resources-and-downloads. This declaration conforms with ISO 14025 and 14040 and is in alignment with EN 15804.

400, 800, 2300, 2300D Series Raceway System Layout



NOTE: Illustration shows product applications only. 2315 Tee Fitting cannot be used with 2300D Divided Raceway.

400, 800, 2300, 2300D Raceway Series Wire Fill Capacities for Power

| WIRE SIZE THHN/THWN | O.D. | | NUMBER OF CONDUCTORS | | | |
|------------------------|--------|-------|----------------------|--------|---------|-----------------------|
| | Inches | (mm) | 400BAC | 800BAC | 2300BAC | 2300BACD [†] |
| 14 AWG | 0.111 | (2.8) | 5 | 6 | 15 | 7 |
| 12 AWG | 0.130 | (3.3) | 3 | 5 | 14 | 6 |
| 10AWG | 0.164 | (4.2) | 0 | 4 | 12 | 5 |

400, 800, 2300, 2300D Raceway Series Wire Fill Capacities for Communications

| | CABLE/WIRE SIZE | O.D. | | 40% FILL* | | | |
|----------------------------|--------------------------|---------|--------|-----------|-----|------|--------------------|
| | | inches | (mm) | 400 | 800 | 2300 | 2300D [†] |
| UNSHIELDED TWISTED PAIR | 4-Pair, 24 AWG Cat. 3 | 0.190 | (4.8) | 1 | 3 | 11 | 5 |
| | 4-Pair, 24 AWG Cat. 5e | 0.210 | (5.3) | 1 | 3 | 9 | 4 |
| | 4-Pair, 24 AWG Cat. 6 | 0.250 | (6.3) | 1 | 2 | 6 | 3 |
| | 4-Pair, 24 AWG Cat. 6a** | 0.354 | (9.0) | 0 | 1 | 3 | 1 |
| | 25-Pair, 24 AWG | 0.410 | (10.4) | 0 | 0 | 2 | 1 |
| COAXIAL | RG6/U | 0.270 | (6.9) | 0 | 1 | 5 | 2 |
| FIBER | Zip Cord 0.118 x 0.157 | (3 x 6) | 1 | 3 | 12 | 6 | |
| | Round 4 Strand Fiber | 0.187 | (4.8) | 1 | 3 | 12 | 6 |
| | Round 6 Strand Fiber | 0.256 | (6.5) | 1 | 2 | 6 | 3 |

* Wire capacity is reduced to allow for proper conductor bend radius and maximum permissible heat rise.

** Category 6 augmented (6a) cable for 10 gigabit ethernet - max allowed cable diameter per addenda No. 11 ANSI TIA/EIA 568-B.2.

[†] each compartment.

400BAC, 800BAC, 2300BAC, 2300BACD Series Raceway Ordering Information

| Catalog No./Item | Description/Specifications |
|--|--|
| 400BAC 400BAC-WH 800BAC 800BAC-WH 2300BAC 2300BAC-WH 2300BACD 2300BACD-WH | Low profile, two-piece raceway with snap-on cover – Available in 5' (1.525m) and length. Supplied with wide adhesive tape along entire length of base. |
|  |  |
|  |  |

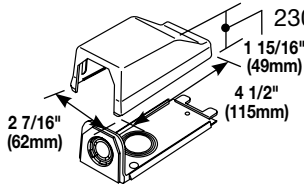
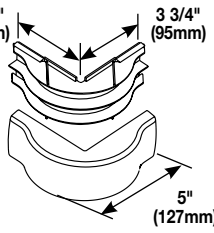
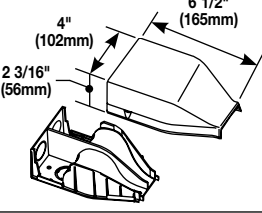
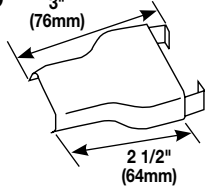
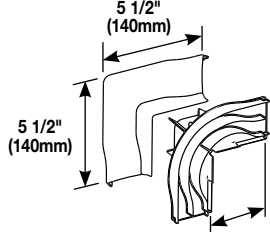
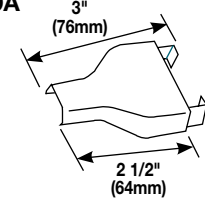
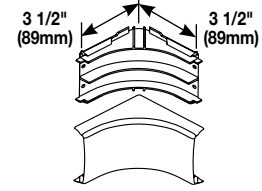
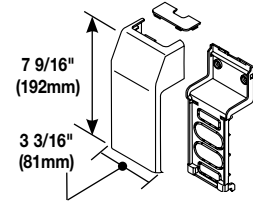
400, 800, 2300, 2000D Series Fittings Ordering Information

| Catalog No./Item | Description/Specifications | | | | | | | | | | | | | | | | |
|---|---|---------------|-------------|-------|-----------------|-------|-----------------|---------------|-------------|------|---------------|---------------|-------------|-------|---------------|-----------|-------------|
| 400WC 800WC 2300WC  | Wire Clip – For holding conductors in place. <table border="1" style="margin-top: 10px;"> <thead> <tr> <th>CAT NO.</th> <th>A</th> </tr> </thead> <tbody> <tr> <td>400WC</td> <td>1/2" (12.7mm)</td> </tr> <tr> <td>800WC</td> <td>1" (25mm)</td> </tr> <tr> <td>2300WC</td> <td>1" (25mm)</td> </tr> </tbody> </table> | CAT NO. | A | 400WC | 1/2" (12.7mm) | 800WC | 1" (25mm) | 2300WC | 1" (25mm) | | | | | | | | |
| CAT NO. | A | | | | | | | | | | | | | | | | |
| 400WC | 1/2" (12.7mm) | | | | | | | | | | | | | | | | |
| 800WC | 1" (25mm) | | | | | | | | | | | | | | | | |
| 2300WC | 1" (25mm) | | | | | | | | | | | | | | | | |
| 406 806 2306  | Cover Clip – For covering joint where two pieces of 400BAC, 800BAC or 2300BAC Series Raceway cover come together. <table border="1" style="margin-top: 10px;"> <thead> <tr> <th>CAT NO.</th> <th>A</th> </tr> </thead> <tbody> <tr> <td>406</td> <td>13/16" (20.6mm)</td> </tr> <tr> <td>806</td> <td>1" (25mm)</td> </tr> <tr> <td>2306</td> <td>2" (51mm)</td> </tr> </tbody> </table> | CAT NO. | A | 406 | 13/16" (20.6mm) | 806 | 1" (25mm) | 2306 | 2" (51mm) | | | | | | | | |
| CAT NO. | A | | | | | | | | | | | | | | | | |
| 406 | 13/16" (20.6mm) | | | | | | | | | | | | | | | | |
| 806 | 1" (25mm) | | | | | | | | | | | | | | | | |
| 2306 | 2" (51mm) | | | | | | | | | | | | | | | | |
| 410B 810B 2310B  | Blank End Fitting – For closing open end of 400BAC, 800BAC, or 2300BAC Raceway Series. <table border="1" style="margin-top: 10px;"> <thead> <tr> <th>CAT NO.</th> <th>A</th> <th>B</th> <th>C</th> </tr> </thead> <tbody> <tr> <td>410B</td> <td>13/16" (20.6mm)</td> <td>1/2" (12.7mm)</td> <td>3/8 (9.5mm)</td> </tr> <tr> <td>810B</td> <td>1 1/4" (32mm)</td> <td>1/2" (12.7mm)</td> <td>3/8 (9.5mm)</td> </tr> <tr> <td>2310B</td> <td>2 1/4" (57mm)</td> <td>1" (25mm)</td> <td>3/8 (9.5mm)</td> </tr> </tbody> </table> | CAT NO. | A | B | C | 410B | 13/16" (20.6mm) | 1/2" (12.7mm) | 3/8 (9.5mm) | 810B | 1 1/4" (32mm) | 1/2" (12.7mm) | 3/8 (9.5mm) | 2310B | 2 1/4" (57mm) | 1" (25mm) | 3/8 (9.5mm) |
| CAT NO. | A | B | C | | | | | | | | | | | | | | |
| 410B | 13/16" (20.6mm) | 1/2" (12.7mm) | 3/8 (9.5mm) | | | | | | | | | | | | | | |
| 810B | 1 1/4" (32mm) | 1/2" (12.7mm) | 3/8 (9.5mm) | | | | | | | | | | | | | | |
| 2310B | 2 1/4" (57mm) | 1" (25mm) | 3/8 (9.5mm) | | | | | | | | | | | | | | |
| 411*  | 90° Flat Elbow – For right angle turns on same surface. | | | | | | | | | | | | | | | | |
| 415*  | Tee – For branches at right angles. | | | | | | | | | | | | | | | | |
| 417*  | Internal Elbow – For surfaces at right angles. | | | | | | | | | | | | | | | | |

NOTE: No suffix denotes ivory finish. Add “-WH” suffix for white finish.
 * For 2300BAC and 2300BACD Raceway must be mitered to use 2311 and 2318. 2315 cannot be used in divided raceway.

| Catalog No./Item | Description/Specifications | | | | | | | | | |
|---|--|----------------|---|-----|---------------|----------------|-----------------|------|---------------|----------------|
| 418 818 2318*  | 90° External Elbow – For right angle turns around external corners. <table border="1" style="margin-top: 10px;"> <thead> <tr> <th>CAT NO.</th> <th>A</th> </tr> </thead> <tbody> <tr> <td>418</td> <td>1 1/2 (38mm)</td> </tr> <tr> <td>818</td> <td>2" (51mm)</td> </tr> <tr> <td>2318</td> <td>2 1/2" (64mm)</td> </tr> </tbody> </table> | CAT NO. | A | 418 | 1 1/2 (38mm) | 818 | 2" (51mm) | 2318 | 2 1/2" (64mm) | |
| CAT NO. | A | | | | | | | | | |
| 418 | 1 1/2 (38mm) | | | | | | | | | |
| 818 | 2" (51mm) | | | | | | | | | |
| 2318 | 2 1/2" (64mm) | | | | | | | | | |
| PVC-1  | PVC Cutter – Regular duty cutter. Ideal for use with small nonmetallic raceway. | | | | | | | | | |
| 810A2  | Entrance End Fitting – For connecting 400 or 800 Series Raceway with 1/2" trade size conduit or armored cable. 1/2" trade size KO on end and bottom. | | | | | | | | | |
| 811 2311**  | 90° Flat Elbow – For right angle turns on same surface. <table border="1" style="margin-top: 10px;"> <thead> <tr> <th>CAT NO.</th> <th>A</th> </tr> </thead> <tbody> <tr> <td>811</td> <td>2 1/2" (64mm)</td> </tr> <tr> <td>2311</td> <td>4 3/16" (106mm)</td> </tr> </tbody> </table> | CAT NO. | A | 811 | 2 1/2" (64mm) | 2311 | 4 3/16" (106mm) | | | |
| CAT NO. | A | | | | | | | | | |
| 811 | 2 1/2" (64mm) | | | | | | | | | |
| 2311 | 4 3/16" (106mm) | | | | | | | | | |
| 815 2315**  | Tee – For right angles turns on same surface. <table border="1" style="margin-top: 10px;"> <thead> <tr> <th>CAT NO.</th> <th>A</th> <th>B</th> </tr> </thead> <tbody> <tr> <td>815</td> <td>4 1/8" (105mm)</td> <td>2 3/4" (70mm)</td> </tr> <tr> <td>2315</td> <td>6" (152mm)</td> <td>4 1/8" (105mm)</td> </tr> </tbody> </table> | CAT NO. | A | B | 815 | 4 1/8" (105mm) | 2 3/4" (70mm) | 2315 | 6" (152mm) | 4 1/8" (105mm) |
| CAT NO. | A | B | | | | | | | | |
| 815 | 4 1/8" (105mm) | 2 3/4" (70mm) | | | | | | | | |
| 2315 | 6" (152mm) | 4 1/8" (105mm) | | | | | | | | |
| 817 2317*  | Internal Elbow – For surfaces at right angles. <table border="1" style="margin-top: 10px;"> <thead> <tr> <th>CAT NO.</th> <th>A</th> </tr> </thead> <tbody> <tr> <td>817</td> <td>2" (51mm)</td> </tr> <tr> <td>2317</td> <td>2 1/2" (64mm)</td> </tr> </tbody> </table> | CAT NO. | A | 817 | 2" (51mm) | 2317 | 2 1/2" (64mm) | | | |
| CAT NO. | A | | | | | | | | | |
| 817 | 2" (51mm) | | | | | | | | | |
| 2317 | 2 1/2" (64mm) | | | | | | | | | |
| 889A  | Reducing Connector (800-400) – For transitioning from 800 to 400 Series Raceway. | | | | | | | | | |

400, 800, 2300, 2000D Series Fittings Ordering Information (continued)

| Catalog No./Item | Description/Specifications | Catalog No./Item | Description/Specifications |
|--|---|--|--|
| 2310A  <p>2 7/16" (62mm) 1 15/16" (49mm) 4 1/2" (115mm)</p> | Entrance End Fitting – 1/2", 3/4", and 1" trade size KOs for feeding 2300 Series Raceway. | 2318DFO  <p>3 3/4" (95mm) 3 3/4" (95mm) 5" (127mm)</p> | Bend Radius Divided External Elbow – A 90° external corner with integral dividers to provide 2" (51mm) cable bend radius for UTP and fiber optic installations. |
| 2310DFO  <p>4" (102mm) 6 1/2" (165mm) 2 3/16" (56mm)</p> | Bend Radius Divided Entrance End Fitting – Divided fitting to feed 2300BAC and 2300BACD Series Raceway. Includes 1/2", 3/4" and 1" trade size KOs on back and top. | 2389  <p>3" (76mm) 2 1/2" (64mm)</p> | Reducing Connector (2300BAC-800BAC) – For transitioning from 2300BAC to 800BAC Series Raceway. |
| 2311DFO  <p>5 1/2" (140mm) 5 1/2" (140mm) 3 1/4" (83mm)</p> | Bend Radius Divided Flat Elbow – A 90° flat corner with integral dividers to provide 2" (51mm) cable bend radius for UTP and fiber optic installations. | 2389A  <p>3" (76mm) 2 1/2" (64mm)</p> | Reducing Connector (2300BAC-400BAC) – For transitioning from 2300BAC to 400BAC Series Raceway. |
| 2317DFO  <p>3 1/2" (89mm) 3 1/2" (89mm)</p> | Bend Radius Divided Internal Elbow – A 90° internal corner with integral dividers to provide 2" (51mm) cable bend radius for UTP and fiber optic installations. | 5474  <p>7 9/16" (192mm) 3 3/16" (81mm)</p> | Transition Tap Fitting – Makes transition from 5400 Raceway to 400BAC, 800BAC, 2300BAC Series Raceway. |

NOTE: No suffix denotes ivory finish. Add "-WH" suffix for white finish.

400, 800, 2300, 2000D Series Communications Boxes Ordering Information (continued)

| Catalog No./Item | Description/Specifications | Catalog No./Item | Description/Specifications |
|---|--|---|--|
| CM-MMB-231  <p>1 1/2" (38mm) 3 1/4" (83mm) 3 1/4" (83mm)</p> | One Insert Multimedia Box - Compatible with 400BAC and 800BAC Series Raceway. Accepts Pass & Seymour® Activate Inserts and Wiremold Open System Communication Modules. | CM-MMB-233  <p>1 1/2" (38mm) 5.19" (132mm) 7 3/4" (197mm)</p> | Three-Insert FiberReady® Multimedia Box – Compatible with 400BAC, 800BAC and 2300BAC Series Raceway. Accepts Pass & Seymour® Activate Inserts and Wiremold Open System Communications Modules |
| CM-MMB-232  <p>1 1/2" (38mm) 5.19" (132mm) 5.19" (132mm)</p> | Two Insert FiberReady® Multimedia Box - Compatible with 400BAC, 800BAC, and 2300BAC Series Raceway. Accepts Pass & Seymour® Activate Inserts and Wiremold Open System Communications Modules. | | |

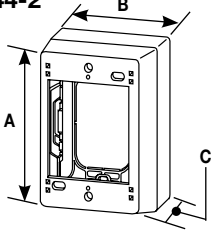
400, 800, 2300 Series Raceway Sure-Snap® Device Boxes

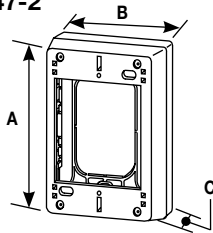
- **Interchangeable covers and bases.** Provides installation flexibility.
- **Large knockout.** Accommodates many cable types and quantities.
- **Cover removes easily.** One twist of a screwdriver removes the cover for fast changes.
- **No screws to assemble.** The secure snap assembly requires fewer tools and parts, which means a shorter installation time.



Sure-Snap Device Boxes are available in a variety of sizes and depths.

400, 800, 2300 Series Raceway Sure-Snap® Device Boxes Ordering Information (For Non-Divided Raceways)

| Catalog No./Item | Description/Specifications | | | | | | | | | | | | | | | | | | |
|--|--|-------------------|-------------------|------------------|---|---|------|---|-------------------|--------------|------------------|--------|---|-------------------|-------------------|------------------|--|--|--|
| 2344 2344-2  | Extra Deep Device Box – 2344 one-gang, 2344-2 two-gang. 2344-2 base has rectangular KO to enable extension from existing single-gang flush wall box and 1/2" and 1" trade size concentric KOs. Accepts NEMA Faceplates | | | | | | | | | | | | | | | | | | |
| | <table border="1" style="width: 100%; border-collapse: collapse;"> <thead> <tr> <th>CAT #</th> <th>GANG(s)</th> <th>A</th> <th>B</th> <th>C</th> </tr> </thead> <tbody> <tr> <td style="text-align: center;">2344</td> <td style="text-align: center;">1</td> <td style="text-align: center;">4 3/4" (121mm)</td> <td style="text-align: center;">3" (76mm)</td> <td style="text-align: center;">2 3/4" (70mm)</td> </tr> <tr> <td style="text-align: center;">2344-2</td> <td style="text-align: center;">2</td> <td style="text-align: center;">4.3/4" (121mm)</td> <td style="text-align: center;">4 7/8" (124mm)</td> <td style="text-align: center;">2 3/4" (70mm)</td> </tr> </tbody> </table> | CAT # | GANG(s) | A | B | C | 2344 | 1 | 4 3/4" (121mm) | 3" (76mm) | 2 3/4" (70mm) | 2344-2 | 2 | 4.3/4" (121mm) | 4 7/8" (124mm) | 2 3/4" (70mm) | | | |
| CAT # | GANG(s) | A | B | C | | | | | | | | | | | | | | | |
| 2344 | 1 | 4 3/4" (121mm) | 3" (76mm) | 2 3/4" (70mm) | | | | | | | | | | | | | | | |
| 2344-2 | 2 | 4.3/4" (121mm) | 4 7/8" (124mm) | 2 3/4" (70mm) | | | | | | | | | | | | | | | |

| 2347 2347-2  | Device Box – 2347 one-gang, 2347-2 two-gang. For standard switches and devices. 2347 and 2347-2 Bases have rectangular KO to enable extension from existing flush wall box and 1/2" and 1" trade size concentric KOs. Accepts NEMA Faceplates | | | | | | | | | | | | | | | | | | |
|--|--|-------------------|-------------------|------------------|---|---|------|---|-------------------|--------------|------------------|--------|---|-------------------|-------------------|------------------|--|--|--|
| | <table border="1" style="width: 100%; border-collapse: collapse;"> <thead> <tr> <th>CAT #</th> <th>GANG(S)</th> <th>A</th> <th>B</th> <th>C</th> </tr> </thead> <tbody> <tr> <td style="text-align: center;">2347</td> <td style="text-align: center;">1</td> <td style="text-align: center;">4 3/4" (121mm)</td> <td style="text-align: center;">3" (76mm)</td> <td style="text-align: center;">1 3/8" (35mm)</td> </tr> <tr> <td style="text-align: center;">2347-2</td> <td style="text-align: center;">2</td> <td style="text-align: center;">4 3/4" (121mm)</td> <td style="text-align: center;">4 7/8" (124mm)</td> <td style="text-align: center;">1 3/8" (35mm)</td> </tr> </tbody> </table> | CAT # | GANG(S) | A | B | C | 2347 | 1 | 4 3/4" (121mm) | 3" (76mm) | 1 3/8" (35mm) | 2347-2 | 2 | 4 3/4" (121mm) | 4 7/8" (124mm) | 1 3/8" (35mm) | | | |
| CAT # | GANG(S) | A | B | C | | | | | | | | | | | | | | | |
| 2347 | 1 | 4 3/4" (121mm) | 3" (76mm) | 1 3/8" (35mm) | | | | | | | | | | | | | | | |
| 2347-2 | 2 | 4 3/4" (121mm) | 4 7/8" (124mm) | 1 3/8" (35mm) | | | | | | | | | | | | | | | |

NOTE: No suffix denotes ivory finish. Add “-WH” suffix for white finish.
 All single-gang bases have a rectangular knockout on the base.

| Catalog No./Item | Description/Specifications | | | | | | | | | | | | | | | | | | | | | | | |
|--|---|-------------------|-------------------|------------------|---|---|------|---|-------------------|--------------|------------------|--------|---|-------------------|-------------------|------------------|--------|---|-------------------|---------------|------------------|--|--|--|
| 2348 2348-2 2348-3  | Deep Device Box – 2348 one-gang, 2348-2 two-gang, 2348-3 three-gang. For deeper switches and devices. 2348, 2348-2, and 2348-3 Bases have rectangular KO to enable extension from existing flush wall box and 1/2" and 1" concentric KOs. Accepts NEMA Faceplates. | | | | | | | | | | | | | | | | | | | | | | | |
| | <table border="1" style="width: 100%; border-collapse: collapse;"> <thead> <tr> <th>CAT #</th> <th>GANG(S)</th> <th>A</th> <th>B</th> <th>C</th> </tr> </thead> <tbody> <tr> <td style="text-align: center;">2348</td> <td style="text-align: center;">1</td> <td style="text-align: center;">4 3/4" (121mm)</td> <td style="text-align: center;">3" (76mm)</td> <td style="text-align: center;">1 3/4" (35mm)</td> </tr> <tr> <td style="text-align: center;">2348-2</td> <td style="text-align: center;">2</td> <td style="text-align: center;">4 3/4" (121mm)</td> <td style="text-align: center;">4 7/8" (124mm)</td> <td style="text-align: center;">1 3/4" (44mm)</td> </tr> <tr> <td style="text-align: center;">2348-3</td> <td style="text-align: center;">3</td> <td style="text-align: center;">4 3/4" (121mm)</td> <td style="text-align: center;">7" (178mm)</td> <td style="text-align: center;">1 3/4" (44mm)</td> </tr> </tbody> </table> | CAT # | GANG(S) | A | B | C | 2348 | 1 | 4 3/4" (121mm) | 3" (76mm) | 1 3/4" (35mm) | 2348-2 | 2 | 4 3/4" (121mm) | 4 7/8" (124mm) | 1 3/4" (44mm) | 2348-3 | 3 | 4 3/4" (121mm) | 7" (178mm) | 1 3/4" (44mm) | | | |
| CAT # | GANG(S) | A | B | C | | | | | | | | | | | | | | | | | | | | |
| 2348 | 1 | 4 3/4" (121mm) | 3" (76mm) | 1 3/4" (35mm) | | | | | | | | | | | | | | | | | | | | |
| 2348-2 | 2 | 4 3/4" (121mm) | 4 7/8" (124mm) | 1 3/4" (44mm) | | | | | | | | | | | | | | | | | | | | |
| 2348-3 | 3 | 4 3/4" (121mm) | 7" (178mm) | 1 3/4" (44mm) | | | | | | | | | | | | | | | | | | | | |

| | | | | |
|---|---|--|--|--|
| 2348S/51  | Shallow Device Box / Extension Box – For shallow switches and receptacles. Base has rectangular KO. Accepts NEMA Faceplates. | | | |
|---|---|--|--|--|

| | | | | |
|---|--|--|--|--|
| 2348AMP  | Magnetic Deep Device Box (with Grommet) – For deeper switches and devices. Magnetic backing. Base has rectangular KO. Accepts NEMA Faceplates | | | |
|---|--|--|--|--|

400, 800, 2300 Series Raceway Round Fixture Boxes for Non-Divided Raceway Ordering Information

| Item | Description | Cat. No. | Diameter | Depth | Specifications |
|---|---------------------|----------|----------------|-----------|---|
|  | Blank Cover | 2336 | 4 1/2" (114mm) | — | Use with any round nonmetallic device box to convert into junction box. |
|  | Round Extension Box | 2337A | 5 1/2" (140mm) | 1" (25mm) | For hanging fixtures, smoke/fire alarms and other security devices with 3 1/2" (89mm) or 4 1/16" (103mm) mounting centers. 5 1/2" (140mm) diameter with open base. Not for use with ceiling fans. |
|  | Fixture Box | 2338A | 5 1/2" (140mm) | 1" (25mm) | For hanging smoke/fire alarms and other security devices with 3 1/2" (89mm) or 4 1/16" (103mm) mounting centers. Not for use with ceiling fans. |

NOTE: No suffix denotes ivory finish. Add “-WH” suffix for white finish.

Sure-Snap® Device Boxes for 2300BACD Divided Series Raceway

The 2300BAC and 2300BACD Series Divided Raceway Box family provides two unique benefits; labor savings with “over-the-raceway” installation and Sure-Snap® device boxes. The 2348D and 2344D “over-the-raceway” design eliminates cutting the raceway base to mount boxes. The base snaps on anywhere along the raceway. The Sure-Snap integral device box of the 2344SD-2A combines aesthetics with labor savings. 5507 Series Faceplates, Pass & Seymour Activate Inserts, Wiremold Open System Communication Modules and Ortronics Series II and TracJack Modules snap directly into the Sure-Snap Device Box, eliminating the need for additional faceplates. The single-gang boxes accept standard NEMA faceplates.

Sure-Snap® Device Boxes for 2300BACD Divided Series Raceway Ordering Information

| Catalog No./Item | Description/Specifications |
|---|---|
| <p>2348D</p>  <p>1 3/4" (44mm) 4 3/4" (121mm) 3" (76mm)</p> | <p>Device Box – For use with 2300BACD Divided Raceway. For mounting standard switches, receptacles and industry standard faceplates for communication devices. Accepts NEMA Faceplates.</p> |
| <p>2344D</p>  <p>2 3/4" (70mm) 4 3/4" (121mm) 3" (76mm)</p> | <p>Extra Deep Device Box – For use with 2300BACD Divided Raceway when additional depth is required. For mounting standard switches, receptacles and industry standard faceplates for communication devices. Accepts NEMA Faceplates.</p> |
| <p>2344SD-2A</p>  <p>2 1/4" (57mm) 4 3/4" (121mm) 4 7/8" (124mm)</p> | <p>Two-Gang Deep Divided Box – A divided two-gang box for use with 2300D Series Raceway. Provides the ability to have both power and low voltage at a single point of use. Accepts 5507 Series Faceplates, Ortronics® TracJack & Series II Modules, Pass & Seymour® Activate™ Series Inserts, and Wiremold Open System Communication Modules.</p> <p>Note: Not for use with NEMA Faceplates. CM-EPLA End Plates are required when using Wiremold Open System communication modules and Pass & Seymour® Activate inserts. S2-EPL End Plates are required when using Ortronics® Series II inserts. To mount Ortronics® TracJack modules, use 5507-4TJ or 5507-6TJ Faceplates.</p> |

2344SD-2 Over-the-Raceway Box Application



5507 Series Faceplates Ordering Information

| Catalog No./Item | Description/Specifications | Catalog No./Item | Description/Specifications |
|------------------|--|------------------|--|
| 5507AD |  <p>Modular Furniture Adapter – For mounting Activate modular furniture bezels and other modular furniture adapters. Not for use with rectangular (decorator) style devices.</p> | 5507RJ |  <p>Dual RJ11/RJ45 Connector Faceplate – For mounting one or two RJ type connectors – has one opening and a KO for the other.</p> |
| 5507B |  <p>Blank Faceplate – For covering unused compartments in the device bracket.</p> | 5507FRJ |  <p>Flush Dual RJ11/RJ45 Connector Faceplate – Same as 5507RJ except the connectors are recessed to provide a flush installation.</p> |
| 5507D |  <p>Duplex Receptacle Faceplate – For covering duplex style devices. Accepts 106 Frame.</p> | 5507-4TJ |  <p>Ortronics® Faceplate – For mounting Ortronics® datacom inserts. Accepts four TracJack Devices.</p> |
| 5507R |  <p>Rectangular Receptacle Faceplate – For covering rectangular decorator style devices.</p> | 5507-6TJ |  <p>Ortronics® Faceplate – For mounting Ortronics® datacom inserts. Accepts six TracJack Devices.</p> |
| 5507S |  <p>Rectangular Spacer – For mounting commercial device plates. Installs between the device bracket and a device.</p> | CM-EPLA |  <p>End Plates – Includes two outlet identification labels with clear covers and two matching screw covers. Required for mounting Pass & Seymour® Activate™ and Wiremold Open System communication modules into the 2344SD-2A.</p> |
| 5507SW |  <p>Switch Faceplate – For covering standard toggle switches.</p> | S2-EPL |  <p>End Plates – Includes two outlet identification labels with clear covers and two matching screw covers. Required for mounting Ortronics® Series II modules into the 2344SD-2A.</p> |
| 5507T1 |  <p>Single Receptacle Faceplate – For covering single receptacles – 1.59" (40mm) diameter.</p> | | |
| 5507T2 |  <p>Single Receptacle Faceplate – For covering single receptacles – 1.41" (36mm) diameter.</p> | | |

NOTE: No suffix denotes ivory finish. Add “-WH” suffix for white finish, and “G” for Gray finish. Consult factory for custom colors.



Electrical Wiring Systems
 60 Woodlawn Street
 West Hartford, CT 06110
 Phone: 1.877.BY.LEGRAND (295-3472)
www.legrand.us
 570 Applewood Crescent
 Vaughan, Ontario L4K 4B4
 Phone: 905.738.9195
www.legrand.ca



Low Profile Design Combines Functionality With Aesthetics Ideal for Low Voltage and Power Applications

400, 800, 2300 and 2300BACD Series™ Raceway, are a family of low-profile raceways that are designed for communication or power applications. 400, 800 and 2300 Raceway offer a single channel for either communication or power. And when power and low voltage services are both needed in a single raceway, the divided 2300BACD Raceway with its low-profile design, is an easy-to-install option.

400,800,2300 and 2300BACD Raceways are an ideal solution for use in classrooms, offices, hospitality applications, or anywhere a small, secure, low profile raceway is needed.



2300D Series Raceway in a typical office application.

FEATURES & BENEFITS

- **Accommodates communication and/or power wiring.** Can be used for communications, computer lines, surveillance systems, fire alarms, outlets, and more.
- **Available in three sizes.** 400, 800, and 2300 sizes provide flexibility for meeting a variety of capacity and space requirements. Perfect for most small drops and horizontal runs to work stations.
- **Durable, textured PVC construction.** Available in ivory or white finish to blend with any decor. Also paintable using latex paint. Consult factory for custom color options.
- **Single- and dual-compartment low profile design.** Provides functionality and flexibility with aesthetics for single- or dual-service applications.
- **Adhesive backing for low voltage (under 50V) applications.** Allows base to be pressed onto mounting surface. Speeds installation.
- **Lightweight and easy to handle.** Saves time and labor costs. Standard 5' (1.525m) raceway lengths can be easily installed by one person. Custom lengths up to 10' (3.05m) are also available.
- **Divided FiberReady® fittings.** For use with 2300BAC and 2300BACD. Full capacity fittings provide 2" (51mm) bend radius.
- **Over-the-raceway box for 2300 and 2300D.** Boxes mount over continuous run of raceway base eliminating the need to cut raceway when locating devices.
- **Sure-Snap® boxes for 2300BACD.** Provides flush look and ease of installation.
- **Snap-on cover.** Provides security with access to wiring for changes or additions.
- **Datacom connectivity options.** Accepts industry standard and proprietary devices from a wide range of manufacturers to provide a seamless and aesthetically pleasing interface for voice, data, audio, and video applications at the point of use.
- **cULus Listed.** File E90378 Raceway, E90377 Fittings.



PEP
ECO
PASS
PORT®

Download this product's PEP ecopassport® environmental product declaration at www.legrand.us/resources-and-downloads. This declaration conforms with ISO 14025 and 14040 and is in alignment with EN 15804.

400, 800, 2300, 2300D Series Raceway System Layout



NOTE: Illustration shows product applications only. 2315 Tee Fitting cannot be used with 2300D Divided Raceway.

400, 800, 2300, 2300D Raceway Series Wire Fill Capacities for Power

| WIRE SIZE THHN/THWN | O.D. | | NUMBER OF CONDUCTORS | | | |
|------------------------|--------|-------|----------------------|--------|---------|-----------------------|
| | Inches | (mm) | 400BAC | 800BAC | 2300BAC | 2300BACD [†] |
| 14 AWG | 0.111 | (2.8) | 5 | 6 | 15 | 7 |
| 12 AWG | 0.130 | (3.3) | 3 | 5 | 14 | 6 |
| 10AWG | 0.164 | (4.2) | 0 | 4 | 12 | 5 |

400, 800, 2300, 2300D Raceway Series Wire Fill Capacities for Communications

| | CABLE/WIRE SIZE | O.D. | | 40% FILL* | | | |
|----------------------------|--------------------------|---------|--------|-----------|-----|------|--------------------|
| | | inches | (mm) | 400 | 800 | 2300 | 2300D [†] |
| UNSHIELDED TWISTED PAIR | 4-Pair, 24 AWG Cat. 3 | 0.190 | (4.8) | 1 | 3 | 11 | 5 |
| | 4-Pair, 24 AWG Cat. 5e | 0.210 | (5.3) | 1 | 3 | 9 | 4 |
| | 4-Pair, 24 AWG Cat. 6 | 0.250 | (6.3) | 1 | 2 | 6 | 3 |
| | 4-Pair, 24 AWG Cat. 6a** | 0.354 | (9.0) | 0 | 1 | 3 | 1 |
| | 25-Pair, 24 AWG | 0.410 | (10.4) | 0 | 0 | 2 | 1 |
| COAXIAL | RG6/U | 0.270 | (6.9) | 0 | 1 | 5 | 2 |
| FIBER | Zip Cord 0.118 x 0.157 | (3 x 6) | 1 | 3 | 12 | 6 | |
| | Round 4 Strand Fiber | 0.187 | (4.8) | 1 | 3 | 12 | 6 |
| | Round 6 Strand Fiber | 0.256 | (6.5) | 1 | 2 | 6 | 3 |

* Wire capacity is reduced to allow for proper conductor bend radius and maximum permissible heat rise.

** Category 6 augmented (6a) cable for 10 gigabit ethernet - max allowed cable diameter per addenda No. 11 ANSI TIA/EIA 568-B.2.

[†] each compartment.

400BAC, 800BAC, 2300BAC, 2300BACD Series Raceway Ordering Information

| Catalog No./Item | Description/Specifications |
|--|--|
| 400BAC 400BAC-WH 800BAC 800BAC-WH 2300BAC 2300BAC-WH 2300BACD 2300BACD-WH | Low profile, two-piece raceway with snap-on cover – Available in 5' (1.525m) and length. Supplied with wide adhesive tape along entire length of base. |
|  |  |
|  |  |

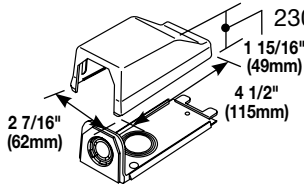
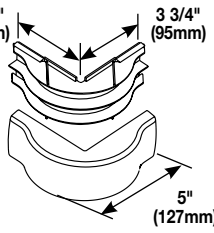
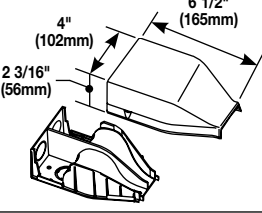
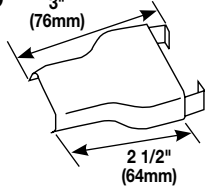
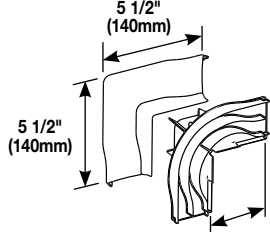
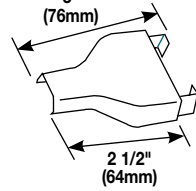
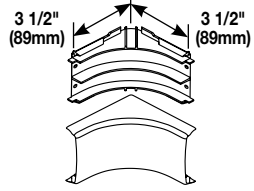
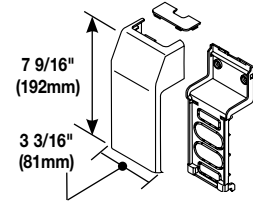
400, 800, 2300, 2000D Series Fittings Ordering Information

| Catalog No./Item | Description/Specifications | | | | | | | | | | | | | | | | |
|---|---|---------------|-------------|-------|-----------------|-------|-----------------|---------------|-------------|------|---------------|---------------|-------------|-------|---------------|-----------|-------------|
| 400WC 800WC 2300WC  | Wire Clip – For holding conductors in place. <table border="1" style="margin-top: 10px;"> <thead> <tr> <th>CAT NO.</th> <th>A</th> </tr> </thead> <tbody> <tr> <td>400WC</td> <td>1/2" (12.7mm)</td> </tr> <tr> <td>800WC</td> <td>1" (25mm)</td> </tr> <tr> <td>2300WC</td> <td>1" (25mm)</td> </tr> </tbody> </table> | CAT NO. | A | 400WC | 1/2" (12.7mm) | 800WC | 1" (25mm) | 2300WC | 1" (25mm) | | | | | | | | |
| CAT NO. | A | | | | | | | | | | | | | | | | |
| 400WC | 1/2" (12.7mm) | | | | | | | | | | | | | | | | |
| 800WC | 1" (25mm) | | | | | | | | | | | | | | | | |
| 2300WC | 1" (25mm) | | | | | | | | | | | | | | | | |
| 406 806 2306  | Cover Clip – For covering joint where two pieces of 400BAC, 800BAC or 2300BAC Series Raceway cover come together. <table border="1" style="margin-top: 10px;"> <thead> <tr> <th>CAT NO.</th> <th>A</th> </tr> </thead> <tbody> <tr> <td>406</td> <td>13/16" (20.6mm)</td> </tr> <tr> <td>806</td> <td>1" (25mm)</td> </tr> <tr> <td>2306</td> <td>2" (51mm)</td> </tr> </tbody> </table> | CAT NO. | A | 406 | 13/16" (20.6mm) | 806 | 1" (25mm) | 2306 | 2" (51mm) | | | | | | | | |
| CAT NO. | A | | | | | | | | | | | | | | | | |
| 406 | 13/16" (20.6mm) | | | | | | | | | | | | | | | | |
| 806 | 1" (25mm) | | | | | | | | | | | | | | | | |
| 2306 | 2" (51mm) | | | | | | | | | | | | | | | | |
| 410B 810B 2310B  | Blank End Fitting – For closing open end of 400BAC, 800BAC, or 2300BAC Raceway Series. <table border="1" style="margin-top: 10px;"> <thead> <tr> <th>CAT NO.</th> <th>A</th> <th>B</th> <th>C</th> </tr> </thead> <tbody> <tr> <td>410B</td> <td>13/16" (20.6mm)</td> <td>1/2" (12.7mm)</td> <td>3/8 (9.5mm)</td> </tr> <tr> <td>810B</td> <td>1 1/4" (32mm)</td> <td>1/2" (12.7mm)</td> <td>3/8 (9.5mm)</td> </tr> <tr> <td>2310B</td> <td>2 1/4" (57mm)</td> <td>1" (25mm)</td> <td>3/8 (9.5mm)</td> </tr> </tbody> </table> | CAT NO. | A | B | C | 410B | 13/16" (20.6mm) | 1/2" (12.7mm) | 3/8 (9.5mm) | 810B | 1 1/4" (32mm) | 1/2" (12.7mm) | 3/8 (9.5mm) | 2310B | 2 1/4" (57mm) | 1" (25mm) | 3/8 (9.5mm) |
| CAT NO. | A | B | C | | | | | | | | | | | | | | |
| 410B | 13/16" (20.6mm) | 1/2" (12.7mm) | 3/8 (9.5mm) | | | | | | | | | | | | | | |
| 810B | 1 1/4" (32mm) | 1/2" (12.7mm) | 3/8 (9.5mm) | | | | | | | | | | | | | | |
| 2310B | 2 1/4" (57mm) | 1" (25mm) | 3/8 (9.5mm) | | | | | | | | | | | | | | |
| 411*  | 90° Flat Elbow – For right angle turns on same surface. | | | | | | | | | | | | | | | | |
| 415*  | Tee – For branches at right angles. | | | | | | | | | | | | | | | | |
| 417*  | Internal Elbow – For surfaces at right angles. | | | | | | | | | | | | | | | | |

NOTE: No suffix denotes ivory finish. Add “-WH” suffix for white finish.
 * For 2300BAC and 2300BACD Raceway must be mitered to use 2311 and 2318. 2315 cannot be used in divided raceway.

| Catalog No./Item | Description/Specifications | | | | | | | | | |
|---|--|----------------|---|-----|---------------|----------------|-----------------|------|---------------|----------------|
| 418 818 2318*  | 90° External Elbow – For right angle turns around external corners. <table border="1" style="margin-top: 10px;"> <thead> <tr> <th>CAT NO.</th> <th>A</th> </tr> </thead> <tbody> <tr> <td>418</td> <td>1 1/2 (38mm)</td> </tr> <tr> <td>818</td> <td>2" (51mm)</td> </tr> <tr> <td>2318</td> <td>2 1/2" (64mm)</td> </tr> </tbody> </table> | CAT NO. | A | 418 | 1 1/2 (38mm) | 818 | 2" (51mm) | 2318 | 2 1/2" (64mm) | |
| CAT NO. | A | | | | | | | | | |
| 418 | 1 1/2 (38mm) | | | | | | | | | |
| 818 | 2" (51mm) | | | | | | | | | |
| 2318 | 2 1/2" (64mm) | | | | | | | | | |
| PVC-1  | PVC Cutter – Regular duty cutter. Ideal for use with small nonmetallic raceway. | | | | | | | | | |
| 810A2  | Entrance End Fitting – For connecting 400 or 800 Series Raceway with 1/2" trade size conduit or armored cable. 1/2" trade size KO on end and bottom. | | | | | | | | | |
| 811 2311**  | 90° Flat Elbow – For right angle turns on same surface. <table border="1" style="margin-top: 10px;"> <thead> <tr> <th>CAT NO.</th> <th>A</th> </tr> </thead> <tbody> <tr> <td>811</td> <td>2 1/2" (64mm)</td> </tr> <tr> <td>2311</td> <td>4 3/16" (106mm)</td> </tr> </tbody> </table> | CAT NO. | A | 811 | 2 1/2" (64mm) | 2311 | 4 3/16" (106mm) | | | |
| CAT NO. | A | | | | | | | | | |
| 811 | 2 1/2" (64mm) | | | | | | | | | |
| 2311 | 4 3/16" (106mm) | | | | | | | | | |
| 815 2315**  | Tee – For right angles turns on same surface. <table border="1" style="margin-top: 10px;"> <thead> <tr> <th>CAT NO.</th> <th>A</th> <th>B</th> </tr> </thead> <tbody> <tr> <td>815</td> <td>4 1/8" (105mm)</td> <td>2 3/4" (70mm)</td> </tr> <tr> <td>2315</td> <td>6" (152mm)</td> <td>4 1/8" (105mm)</td> </tr> </tbody> </table> | CAT NO. | A | B | 815 | 4 1/8" (105mm) | 2 3/4" (70mm) | 2315 | 6" (152mm) | 4 1/8" (105mm) |
| CAT NO. | A | B | | | | | | | | |
| 815 | 4 1/8" (105mm) | 2 3/4" (70mm) | | | | | | | | |
| 2315 | 6" (152mm) | 4 1/8" (105mm) | | | | | | | | |
| 817 2317*  | Internal Elbow – For surfaces at right angles. <table border="1" style="margin-top: 10px;"> <thead> <tr> <th>CAT NO.</th> <th>A</th> </tr> </thead> <tbody> <tr> <td>817</td> <td>2" (51mm)</td> </tr> <tr> <td>2317</td> <td>2 1/2" (64mm)</td> </tr> </tbody> </table> | CAT NO. | A | 817 | 2" (51mm) | 2317 | 2 1/2" (64mm) | | | |
| CAT NO. | A | | | | | | | | | |
| 817 | 2" (51mm) | | | | | | | | | |
| 2317 | 2 1/2" (64mm) | | | | | | | | | |
| 889A  | Reducing Connector (800-400) – For transitioning from 800 to 400 Series Raceway. | | | | | | | | | |

400, 800, 2300, 2000D Series Fittings Ordering Information (continued)

| Catalog No./Item | Description/Specifications | Catalog No./Item | Description/Specifications |
|--|---|--|--|
| 2310A  <p>2 7/16" (62mm) 1 15/16" (49mm) 4 1/2" (115mm)</p> | Entrance End Fitting – 1/2", 3/4", and 1" trade size KOs for feeding 2300 Series Raceway. | 2318DFO  <p>3 3/4" (95mm) 3 3/4" (95mm) 5" (127mm)</p> | Bend Radius Divided External Elbow – A 90° external corner with integral dividers to provide 2" (51mm) cable bend radius for UTP and fiber optic installations. |
| 2310DFO  <p>4" (102mm) 6 1/2" (165mm) 2 3/16" (56mm)</p> | Bend Radius Divided Entrance End Fitting – Divided fitting to feed 2300BAC and 2300BACD Series Raceway. Includes 1/2", 3/4" and 1" trade size KOs on back and top. | 2389  <p>3" (76mm) 2 1/2" (64mm)</p> | Reducing Connector (2300BAC-800BAC) – For transitioning from 2300BAC to 800BAC Series Raceway. |
| 2311DFO  <p>5 1/2" (140mm) 5 1/2" (140mm) 3 1/4" (83mm)</p> | Bend Radius Divided Flat Elbow – A 90° flat corner with integral dividers to provide 2" (51mm) cable bend radius for UTP and fiber optic installations. | 2389A  <p>3" (76mm) 2 1/2" (64mm)</p> | Reducing Connector (2300BAC-400BAC) – For transitioning from 2300BAC to 400BAC Series Raceway. |
| 2317DFO  <p>3 1/2" (89mm) 3 1/2" (89mm)</p> | Bend Radius Divided Internal Elbow – A 90° internal corner with integral dividers to provide 2" (51mm) cable bend radius for UTP and fiber optic installations. | 5474  <p>7 9/16" (192mm) 3 3/16" (81mm)</p> | Transition Tap Fitting – Makes transition from 5400 Raceway to 400BAC, 800BAC, 2300BAC Series Raceway. |

NOTE: No suffix denotes ivory finish. Add "-WH" suffix for white finish.

400, 800, 2300, 2000D Series Communications Boxes Ordering Information (continued)

| Catalog No./Item | Description/Specifications | Catalog No./Item | Description/Specifications |
|---|--|---|--|
| CM-MMB-231  <p>1 1/2" (38mm) 3 1/4" (83mm) 3 1/4" (83mm)</p> | One Insert Multimedia Box - Compatible with 400BAC and 800BAC Series Raceway. Accepts Pass & Seymour® Activate Inserts and Wiremold Open System Communication Modules. | CM-MMB-233  <p>1 1/2" (38mm) 5.19" (132mm) 7 3/4" (197mm)</p> | Three-Insert FiberReady® Multimedia Box – Compatible with 400BAC, 800BAC and 2300BAC Series Raceway. Accepts Pass & Seymour® Activate Inserts and Wiremold Open System Communications Modules |
| CM-MMB-232  <p>1 1/2" (38mm) 5.19" (132mm) 5.19" (132mm)</p> | Two Insert FiberReady® Multimedia Box - Compatible with 400BAC, 800BAC, and 2300BAC Series Raceway. Accepts Pass & Seymour® Activate Inserts and Wiremold Open System Communications Modules. | | |

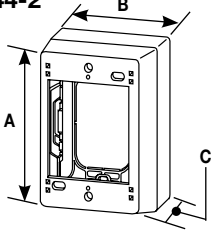
400, 800, 2300 Series Raceway Sure-Snap® Device Boxes

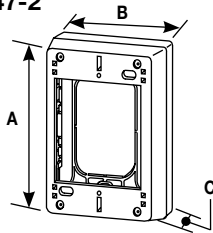
- **Interchangeable covers and bases.** Provides installation flexibility.
- **Large knockout.** Accommodates many cable types and quantities.
- **Cover removes easily.** One twist of a screwdriver removes the cover for fast changes.
- **No screws to assemble.** The secure snap assembly requires fewer tools and parts, which means a shorter installation time.



Sure-Snap Device Boxes are available in a variety of sizes and depths.

400, 800, 2300 Series Raceway Sure-Snap® Device Boxes Ordering Information (For Non-Divided Raceways)

| Catalog No./Item | Description/Specifications | | | | | | | | | | | | | | | | | | |
|--|--|-------------------|-------------------|------------------|---|---|------|---|-------------------|--------------|------------------|--------|---|-------------------|-------------------|------------------|--|--|--|
| 2344 2344-2  | Extra Deep Device Box – 2344 one-gang, 2344-2 two-gang. 2344-2 base has rectangular KO to enable extension from existing single-gang flush wall box and 1/2" and 1" trade size concentric KOs. Accepts NEMA Faceplates | | | | | | | | | | | | | | | | | | |
| | <table border="1" style="width: 100%; border-collapse: collapse;"> <thead> <tr> <th>CAT #</th> <th>GANG(s)</th> <th>A</th> <th>B</th> <th>C</th> </tr> </thead> <tbody> <tr> <td style="text-align: center;">2344</td> <td style="text-align: center;">1</td> <td style="text-align: center;">4 3/4" (121mm)</td> <td style="text-align: center;">3" (76mm)</td> <td style="text-align: center;">2 3/4" (70mm)</td> </tr> <tr> <td style="text-align: center;">2344-2</td> <td style="text-align: center;">2</td> <td style="text-align: center;">4.3/4" (121mm)</td> <td style="text-align: center;">4 7/8" (124mm)</td> <td style="text-align: center;">2 3/4" (70mm)</td> </tr> </tbody> </table> | CAT # | GANG(s) | A | B | C | 2344 | 1 | 4 3/4" (121mm) | 3" (76mm) | 2 3/4" (70mm) | 2344-2 | 2 | 4.3/4" (121mm) | 4 7/8" (124mm) | 2 3/4" (70mm) | | | |
| CAT # | GANG(s) | A | B | C | | | | | | | | | | | | | | | |
| 2344 | 1 | 4 3/4" (121mm) | 3" (76mm) | 2 3/4" (70mm) | | | | | | | | | | | | | | | |
| 2344-2 | 2 | 4.3/4" (121mm) | 4 7/8" (124mm) | 2 3/4" (70mm) | | | | | | | | | | | | | | | |

| 2347 2347-2  | Device Box – 2347 one-gang, 2347-2 two-gang. For standard switches and devices. 2347 and 2347-2 Bases have rectangular KO to enable extension from existing flush wall box and 1/2" and 1" trade size concentric KOs. Accepts NEMA Faceplates | | | | | | | | | | | | | | | | | | |
|--|--|-------------------|-------------------|------------------|---|---|------|---|-------------------|--------------|------------------|--------|---|-------------------|-------------------|------------------|--|--|--|
| | <table border="1" style="width: 100%; border-collapse: collapse;"> <thead> <tr> <th>CAT #</th> <th>GANG(S)</th> <th>A</th> <th>B</th> <th>C</th> </tr> </thead> <tbody> <tr> <td style="text-align: center;">2347</td> <td style="text-align: center;">1</td> <td style="text-align: center;">4 3/4" (121mm)</td> <td style="text-align: center;">3" (76mm)</td> <td style="text-align: center;">1 3/8" (35mm)</td> </tr> <tr> <td style="text-align: center;">2347-2</td> <td style="text-align: center;">2</td> <td style="text-align: center;">4 3/4" (121mm)</td> <td style="text-align: center;">4 7/8" (124mm)</td> <td style="text-align: center;">1 3/8" (35mm)</td> </tr> </tbody> </table> | CAT # | GANG(S) | A | B | C | 2347 | 1 | 4 3/4" (121mm) | 3" (76mm) | 1 3/8" (35mm) | 2347-2 | 2 | 4 3/4" (121mm) | 4 7/8" (124mm) | 1 3/8" (35mm) | | | |
| CAT # | GANG(S) | A | B | C | | | | | | | | | | | | | | | |
| 2347 | 1 | 4 3/4" (121mm) | 3" (76mm) | 1 3/8" (35mm) | | | | | | | | | | | | | | | |
| 2347-2 | 2 | 4 3/4" (121mm) | 4 7/8" (124mm) | 1 3/8" (35mm) | | | | | | | | | | | | | | | |

NOTE: No suffix denotes ivory finish. Add “-WH” suffix for white finish.
 All single-gang bases have a rectangular knockout on the base.

| Catalog No./Item | Description/Specifications | | | | | | | | | | | | | | | | | | | | | | | |
|--|---|-------------------|-------------------|------------------|---|---|------|---|-------------------|--------------|------------------|--------|---|-------------------|-------------------|------------------|--------|---|-------------------|---------------|------------------|--|--|--|
| 2348 2348-2 2348-3  | Deep Device Box – 2348 one-gang, 2348-2 two-gang, 2348-3 three-gang. For deeper switches and devices. 2348, 2348-2, and 2348-3 Bases have rectangular KO to enable extension from existing flush wall box and 1/2" and 1" concentric KOs. Accepts NEMA Faceplates. | | | | | | | | | | | | | | | | | | | | | | | |
| | <table border="1" style="width: 100%; border-collapse: collapse;"> <thead> <tr> <th>CAT #</th> <th>GANG(S)</th> <th>A</th> <th>B</th> <th>C</th> </tr> </thead> <tbody> <tr> <td style="text-align: center;">2348</td> <td style="text-align: center;">1</td> <td style="text-align: center;">4 3/4" (121mm)</td> <td style="text-align: center;">3" (76mm)</td> <td style="text-align: center;">1 3/4" (35mm)</td> </tr> <tr> <td style="text-align: center;">2348-2</td> <td style="text-align: center;">2</td> <td style="text-align: center;">4 3/4" (121mm)</td> <td style="text-align: center;">4 7/8" (124mm)</td> <td style="text-align: center;">1 3/4" (44mm)</td> </tr> <tr> <td style="text-align: center;">2348-3</td> <td style="text-align: center;">3</td> <td style="text-align: center;">4 3/4" (121mm)</td> <td style="text-align: center;">7" (178mm)</td> <td style="text-align: center;">1 3/4" (44mm)</td> </tr> </tbody> </table> | CAT # | GANG(S) | A | B | C | 2348 | 1 | 4 3/4" (121mm) | 3" (76mm) | 1 3/4" (35mm) | 2348-2 | 2 | 4 3/4" (121mm) | 4 7/8" (124mm) | 1 3/4" (44mm) | 2348-3 | 3 | 4 3/4" (121mm) | 7" (178mm) | 1 3/4" (44mm) | | | |
| CAT # | GANG(S) | A | B | C | | | | | | | | | | | | | | | | | | | | |
| 2348 | 1 | 4 3/4" (121mm) | 3" (76mm) | 1 3/4" (35mm) | | | | | | | | | | | | | | | | | | | | |
| 2348-2 | 2 | 4 3/4" (121mm) | 4 7/8" (124mm) | 1 3/4" (44mm) | | | | | | | | | | | | | | | | | | | | |
| 2348-3 | 3 | 4 3/4" (121mm) | 7" (178mm) | 1 3/4" (44mm) | | | | | | | | | | | | | | | | | | | | |

| | | | | |
|---|---|--|--|--|
| 2348S/51  | Shallow Device Box / Extension Box – For shallow switches and receptacles. Base has rectangular KO. Accepts NEMA Faceplates. | | | |
|---|---|--|--|--|

| | | | | |
|---|--|--|--|--|
| 2348AMP  | Magnetic Deep Device Box (with Grommet) – For deeper switches and devices. Magnetic backing. Base has rectangular KO. Accepts NEMA Faceplates | | | |
|---|--|--|--|--|

400, 800, 2300 Series Raceway Round Fixture Boxes for Non-Divided Raceway Ordering Information

| Item | Description | Cat. No. | Diameter | Depth | Specifications |
|---|---------------------|----------|----------------|-----------|---|
|  | Blank Cover | 2336 | 4 1/2" (114mm) | — | Use with any round nonmetallic device box to convert into junction box. |
|  | Round Extension Box | 2337A | 5 1/2" (140mm) | 1" (25mm) | For hanging fixtures, smoke/fire alarms and other security devices with 3 1/2" (89mm) or 4 1/16" (103mm) mounting centers. 5 1/2" (140mm) diameter with open base. Not for use with ceiling fans. |
|  | Fixture Box | 2338A | 5 1/2" (140mm) | 1" (25mm) | For hanging smoke/fire alarms and other security devices with 3 1/2" (89mm) or 4 1/16" (103mm) mounting centers. Not for use with ceiling fans. |

NOTE: No suffix denotes ivory finish. Add “-WH” suffix for white finish.

Sure-Snap® Device Boxes for 2300BACD Divided Series Raceway

The 2300BAC and 2300BACD Series Divided Raceway Box family provides two unique benefits; labor savings with “over-the-raceway” installation and Sure-Snap® device boxes. The 2348D and 2344D “over-the-raceway” design eliminates cutting the raceway base to mount boxes. The base snaps on anywhere along the raceway. The Sure-Snap integral device box of the 2344SD-2A combines aesthetics with labor savings. 5507 Series Faceplates, Pass & Seymour Activate Inserts, Wiremold Open System Communication Modules and Ortronics Series II and TracJack Modules snap directly into the Sure-Snap Device Box, eliminating the need for additional faceplates. The single-gang boxes accept standard NEMA faceplates.

Sure-Snap® Device Boxes for 2300BACD Divided Series Raceway Ordering Information

| Catalog No./Item | Description/Specifications |
|--|---|
| <p>2348D</p>  | <p>Device Box – For use with 2300BACD Divided Raceway. For mounting standard switches, receptacles and industry standard faceplates for communication devices. Accepts NEMA Faceplates.</p> |
| <p>2344D</p>  | <p>Extra Deep Device Box – For use with 2300BACD Divided Raceway when additional depth is required. For mounting standard switches, receptacles and industry standard faceplates for communication devices. Accepts NEMA Faceplates.</p> |
| <p>2344SD-2A</p>  | <p>Two-Gang Deep Divided Box – A divided two-gang box for use with 2300D Series Raceway. Provides the ability to have both power and low voltage at a single point of use. Accepts 5507 Series Faceplates, Ortronics® TracJack & Series II Modules, Pass & Seymour® Activate™ Series Inserts, and Wiremold Open System Communication Modules.</p> <p>Note: Not for use with NEMA Faceplates. CM-EPLA End Plates are required when using Wiremold Open System communication modules and Pass & Seymour® Activate inserts. S2-EPL End Plates are required when using Ortronics® Series II inserts. To mount Ortronics® TracJack modules, use 5507-4TJ or 5507-6TJ Faceplates.</p> |

2344SD-2 Over-the-Raceway Box Application



5507 Series Faceplates Ordering Information

| Catalog No./Item | Description/Specifications | Catalog No./Item | Description/Specifications |
|------------------|--|------------------|--|
| 5507AD |  <p>Modular Furniture Adapter – For mounting Activate modular furniture bezels and other modular furniture adapters. Not for use with rectangular (decorator) style devices.</p> | 5507RJ |  <p>Dual RJ11/RJ45 Connector Faceplate – For mounting one or two RJ type connectors – has one opening and a KO for the other.</p> |
| 5507B |  <p>Blank Faceplate – For covering unused compartments in the device bracket.</p> | 5507FRJ |  <p>Flush Dual RJ11/RJ45 Connector Faceplate – Same as 5507RJ except the connectors are recessed to provide a flush installation.</p> |
| 5507D |  <p>Duplex Receptacle Faceplate – For covering duplex style devices. Accepts 106 Frame.</p> | 5507-4TJ |  <p>Ortronics® Faceplate – For mounting Ortronics® datacom inserts. Accepts four TracJack Devices.</p> |
| 5507R |  <p>Rectangular Receptacle Faceplate – For covering rectangular decorator style devices.</p> | 5507-6TJ |  <p>Ortronics® Faceplate – For mounting Ortronics® datacom inserts. Accepts six TracJack Devices.</p> |
| 5507S |  <p>Rectangular Spacer – For mounting commercial device plates. Installs between the device bracket and a device.</p> | CM-EPLA |  <p>End Plates – Includes two outlet identification labels with clear covers and two matching screw covers. Required for mounting Pass & Seymour® Activate™ and Wiremold Open System communication modules into the 2344SD-2A.</p> |
| 5507SW |  <p>Switch Faceplate – For covering standard toggle switches.</p> | S2-EPL |  <p>End Plates – Includes two outlet identification labels with clear covers and two matching screw covers. Required for mounting Ortronics® Series II modules into the 2344SD-2A.</p> |
| 5507T1 |  <p>Single Receptacle Faceplate – For covering single receptacles – 1.59" (40mm) diameter.</p> | | |
| 5507T2 |  <p>Single Receptacle Faceplate – For covering single receptacles – 1.41" (36mm) diameter.</p> | | |

NOTE: No suffix denotes ivory finish. Add “-WH” suffix for white finish, and “G” for Gray finish. Consult factory for custom colors.



Electrical Wiring Systems
 60 Woodlawn Street
 West Hartford, CT 06110
 Phone: 1.877.BY.LEGRAND (295-3472)
www.legrand.us
 570 Applewood Crescent
 Vaughan, Ontario L4K 4B4
 Phone: 905.738.9195
www.legrand.ca

