



Catalog Number: 8812-GHC1-NK  
Item Description: N1 HINGE CVR GUTTER NK  
UPC Code: 784572109155

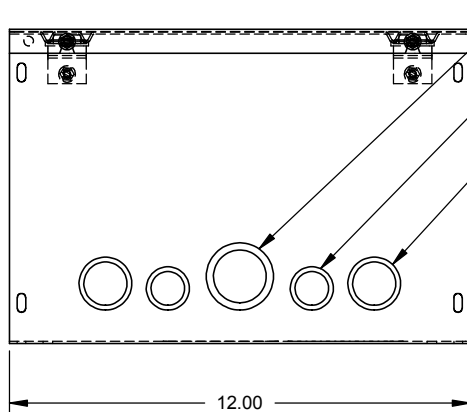
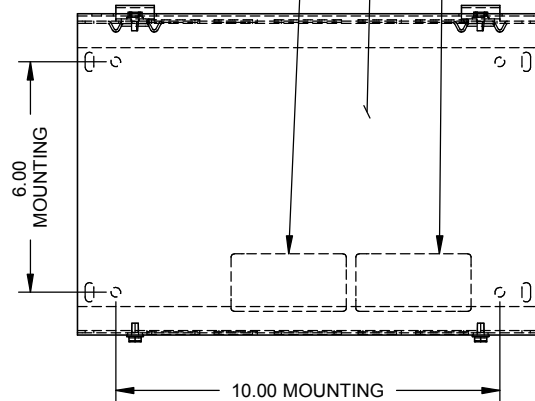
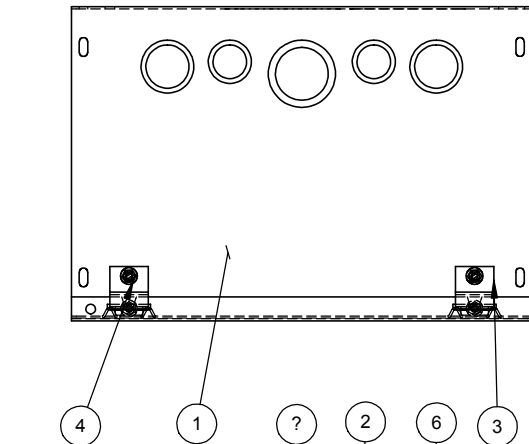
Brand Name: Milbank  
Type: Lay In Wireway  
Application: Wireway  
Standard: UL Listed, Type 1  
Cover Type: Hinge Cover  
Enclosure: Indoor Enclosure  
Nominal Cross Section: 8x8  
Straight Section Length: 12  
Material: Steel with Powder Coat Finish  
Finish: ANSI 61 Gray  
Knockouts: False



*Utility requirements may vary. Always consult the serving utility for their requirements prior to ordering or installing this equipment. This product must always be installed by a licensed electrician. Installation of this equipment may require local electrical inspector approval.*

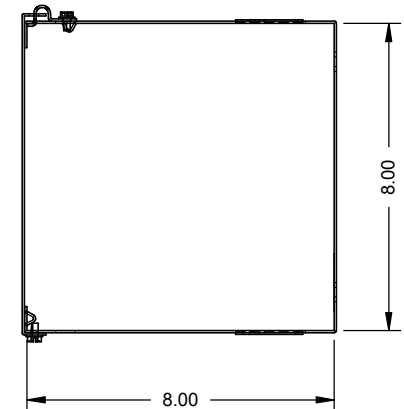
| CATALOG#        | LABEL#  |
|-----------------|---------|
| 8812-GHC1(-)    | 1002943 |
| RC-8812-GHC1(-) | 1125051 |
| SPH-881(-)      | 1132575 |

| P | QTY. | PART NO.    | DESCRIPTION          |
|---|------|-------------|----------------------|
| 1 | 1    | (SEE CHART) | BACK                 |
| 2 | 1    | (SEE CHART) | TOP                  |
| 3 | 2    | 1003198     | HINGE                |
| 4 | 4    | 1001290     | SCREW, 10-32 X 5/16  |
| 5 | 1    | (SEE CHART) | UL LABEL, WIREWAY    |
| 6 | 1    | 1002913     | LABEL, RATING        |
| 7 | 3    | 1002880     | BAG ASSY (NOT SHOWN) |



- 1, 1-1/4 CONC. K.O.  
2 PL
- 1/2, 3/4 CONC. K.O.  
4 PL
- 3/4, 1 CONC. K.O.  
4 PL

| SUFFIX | MATERIAL | BACK #  | COVER # |
|--------|----------|---------|---------|
| -SU    | CRS      | 1129015 | 1128980 |
| -SUC   | CRS      | 1129016 | 1128981 |
| -SO    | GALV     | 1129017 | 1128982 |
| -SUNK  | CRS      | 1129018 | 1128980 |
| -NK    | GALV     | 1129019 | 1128982 |
| -SUNKC | CRS      | 1129020 | 1128981 |



| SUFFIX | FINISH      |
|--------|-------------|
| NONE   | PAINTED     |
| -NP    | NOT PAINTED |

NOTE:  
1. PLACE BAG ASS'Y INSIDE ENCLOSURE. (NOT SHOWN)

NEMA DWG.: #361

|  |                    |              |                                     |   |              |
|--|--------------------|--------------|-------------------------------------|---|--------------|
| Material:  | 16 GA. - SEE CHART |              | General Offices:<br>Kansas City, MO |   |              |
| Finish:  | SEE CHART          |              | Title:                              | HINGE COVER WIREWAY<br>8 x 8 x 12, TYPE 1<br>NEMA ENCLOSURE |              |
| Tolerances:<br>Unless Specified Otherwise<br>X.X ±.1<br>X.XX ±.03<br>X.XXX ±.015<br>X° ±2° |                    |              |                                     | Catalog No.:  | (SEE CHART)  |
|  |                    | Customer:    |                                     | MILBANK STANDARD  |              |
|  |                    | Drawing No.: |                                     | <b>1006827</b>  |              |
| Scale:   | NTS                | Checked By:  | Date:                               | 05/29/02  | Sheet 1 of 1 |
| Drawn By:  | DY                 | Approved By: |                                     |   |              |

| E | 11/07/14 | CHANGE MATERIAL (eECR0030014)       | AJS | D1 | 4/14/08 | ADDED LABEL CHART&REMOVED NOTE #2(ECO.17139) | JLT  |
|---|----------|-------------------------------------|-----|----|---------|--|------|
| D | 8-29-07  | ADDED BACK & COVER CHART ECO. 15946 | DL  | D2 | 11/2/11 | DRAWING NAME WAS 361 (ECO #21532)            | D.F. |



Catalog Number: 8812-GHC1-NK  
Item Description: N1 HINGE CVR GUTTER NK  
UPC Code: 784572109155

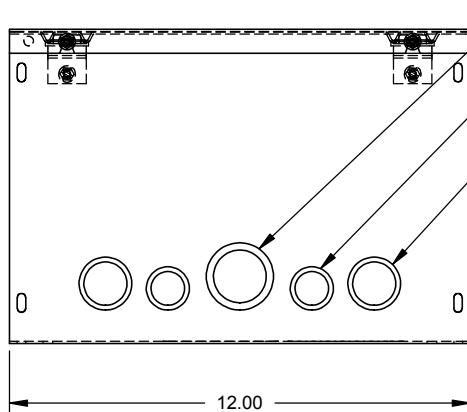
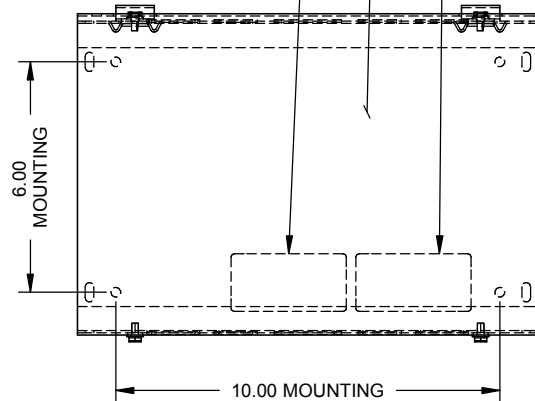
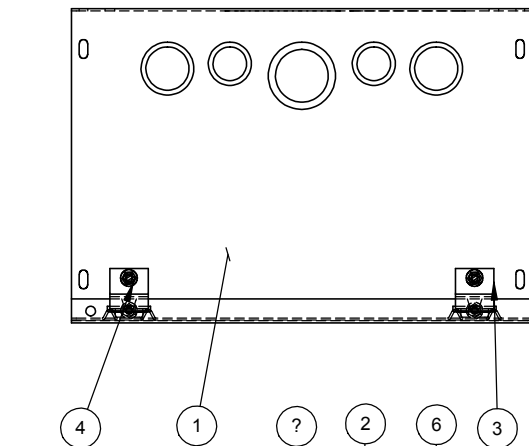
Brand Name: Milbank  
Type: Lay In Wireway  
Application: Wireway  
Standard: UL Listed, Type 1  
Cover Type: Hinge Cover  
Enclosure: Indoor Enclosure  
Nominal Cross Section: 8x8  
Straight Section Length: 12  
Material: Steel with Powder Coat Finish  
Finish: ANSI 61 Gray  
Knockouts: False



*Utility requirements may vary. Always consult the serving utility for their requirements prior to ordering or installing this equipment. This product must always be installed by a licensed electrician. Installation of this equipment may require local electrical inspector approval.*

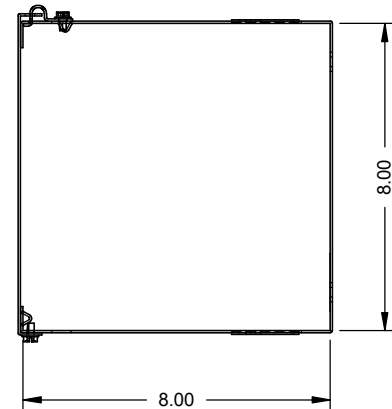
| CATALOG#        | LABEL#  |
|-----------------|---------|
| 8812-GHC1(-)    | 1002943 |
| RC-8812-GHC1(-) | 1125051 |
| SPH-881(-)      | 1132575 |

| P | QTY. | PART NO.    | DESCRIPTION          |
|---|------|-------------|----------------------|
| 1 | 1    | (SEE CHART) | BACK                 |
| 2 | 1    | (SEE CHART) | TOP                  |
| 3 | 2    | 1003198     | HINGE                |
| 4 | 4    | 1001290     | SCREW, 10-32 X 5/16  |
| 5 | 1    | (SEE CHART) | UL LABEL, WIREWAY    |
| 6 | 1    | 1002913     | LABEL, RATING        |
| 7 | 3    | 1002880     | BAG ASSY (NOT SHOWN) |



- 1, 1-1/4 CONC. K.O.  
2 PL
- 1/2, 3/4 CONC. K.O.  
4 PL
- 3/4, 1 CONC. K.O.  
4 PL


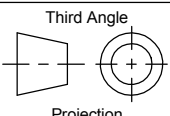
| SUFFIX | MATERIAL | BACK #  | COVER # |
|--------|----------|---------|---------|
| -SU    | CRS      | 1129015 | 1128980 |
| -SUC   | CRS      | 1129016 | 1128981 |
| -SO    | GALV     | 1129017 | 1128982 |
| -SUNK  | CRS      | 1129018 | 1128980 |
| -NK    | GALV     | 1129019 | 1128982 |
| -SUNKC | CRS      | 1129020 | 1128981 |



| SUFFIX | FINISH      |
|--------|-------------|
| NONE   | PAINTED     |
| -NP    | NOT PAINTED |

NOTE:  
1. PLACE BAG ASS'Y INSIDE ENCLOSURE. (NOT SHOWN)

NEMA DWG.: #361

|   |                    |   |
|---|--------------------|---|
| Material:   | 16 GA. - SEE CHART |  General Offices:<br>Kansas City, MO |
| Finish:   | SEE CHART          |   |
| Tolerances:<br>Unless Specified Otherwise<br>X.X ±.1<br>X.XX ±.03<br>X.XXX ±.015<br>X° ±2°                      |                    | Title:  |
|  Third Angle<br>Projection |                    | HINGE COVER WIREWAY<br>8 x 8 x 12, TYPE 1<br>NEMA ENCLOSURE   |
| Scale: NTS  |                    | Catalog No.:  |
| Checked By:   |                    | Customer:   |
| Drawn By: DY  |                    | MILBANK STANDARD  |
| Approved By:  |                    | Drawing No.:  |
| Date:   |                    | 1006827   |
| Date:   |                    | 05/29/02  |
| Sheet   |                    | 1 of 1  |