



Catalog Number: 884-SC1-NK
Item Description: N1 SCREW COVER ENCL NK
UPC Code: 784572109407

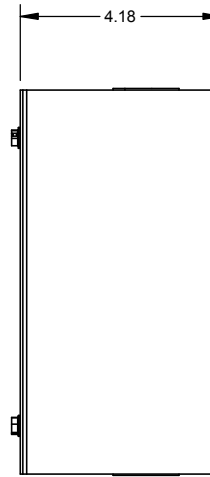
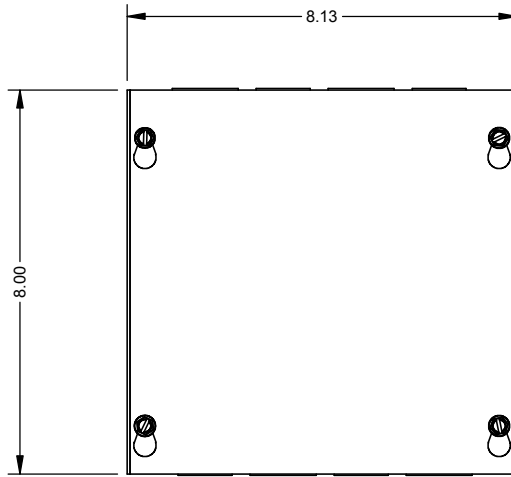
Brand Name: Milbank
Type: Screw Cover
Special Features: Cover Secured with Plated Screws
Application: Enclosure for Mounting Electrical Equipment
Standard: UL Listed
Number Of Outlet: 0
Material: Steel with Powder Coat Finish
Color: ANSI 61 Gray
Mounting: Wall Mount
NEMA Rating: Type 1



Utility requirements may vary. Always consult the serving utility for their requirements prior to ordering or installing this equipment. This product must always be installed by a licensed electrician. Installation of this equipment may require local electrical inspector approval.

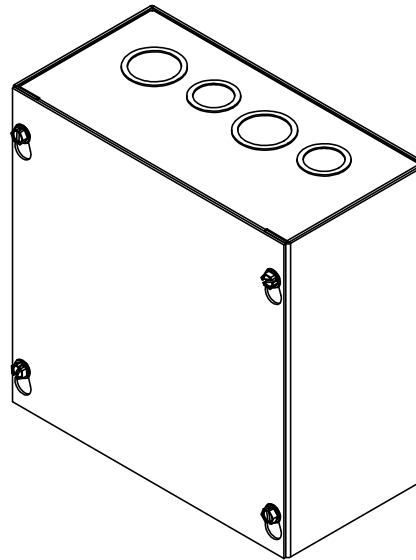
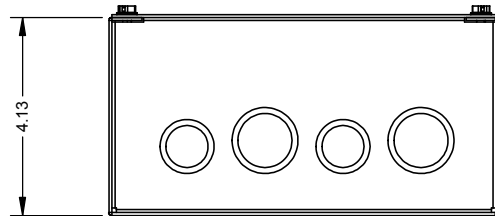
CATALOG#	LABEL#
884-SC1(-)	1002135
RC-884-SC1(-)	1125021
SPSC-884(-)	1132714

ITEM	QTY.	PART NUMBER	DESCRIPTION
1	4	1001290	SCREW, 10-32 X 5/16
2	1	(SEE CHART)	U/L LISTING LABEL
3	1	1002135	LABEL (UL)
4	1	1002475	1002170
5	2	1010875	BOTTOM
6	1	1001367	BACK
7	1	1157537	PLATE



CRS CHART			
SUFFIX	WELDMENT #	K.O.'s	FINISH
NP	1153805	YES	NONE
NP-NK	1153806	NO	
NONE	1153809	YES	MILBANK LIGHT GRAY
NK	1000697	NO	
GALV. CHART			
NP	1011163	YES	NONE
NP-NK	1153807	NO	
NONE	1109524	YES	MILBANK LIGHT GRAY
NK	1153808	NO	

CRS CHART		
SUFFIX	PLATE #	FINISH
NONE	1103848	MILBANK LIGHT GRAY
NP	1003327	NONE
GALV. CHART		
NONE	1003704	MILBANK LIGHT GRAY
NP	1003328	NONE



- NOTES:
 1.) BAG ASSY TO BE SHIPPED INSIDE OF EACH ENCLOSURE.
 2.) WHEN SOLD WITH "R" PREFIX, APPLY STANDARD CARTON LABEL SHOWING QUANTITY OF 1 TO THE WRAPPING OF EACH UNIT. APPLY STANDARD CARTON LABEL TO CARTON SHOWING QUANTITY OF 4.

REV.	DATE	DESCRIPTION	BY
F	2/21/14	REMOVED KO'S FROM BACK eECR2722	AJS
E4	12/5/11	UPDATE RETAIL NOTE (ECO #21645)	D.F.
E5	5/16/12	NOTE 2: "THE WRAPPING" WAS "SHRINK WRAP" (ECO #22340)	D.F.

Material:	16 GA. GALV. STEEL		<p>General Offices: Kansas City, MO</p>
Shear/ Die#:			
Finish:	MILBANK LIGHT GRAY		
Part Wt.:			
Tolerances: Unless Specified Otherwise X.X ±.1 X.XX ±.03 X.XXX ±.015 X* ±2*		Third Angle 	
Title:	884 SCREW COVER TYPE 1 ENCLOSURE		Catalog No.:
Customer:	MILBANK STANDARD		Drawing No.:
Date:	04/26/01	Sheet	1 of 1

1002641



Catalog Number: 884-SC1-NK
Item Description: N1 SCREW COVER ENCL NK
UPC Code: 784572109407

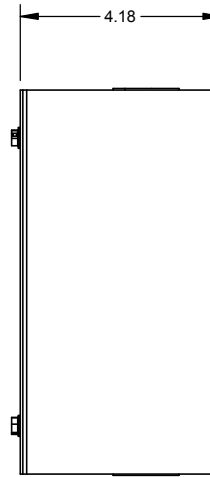
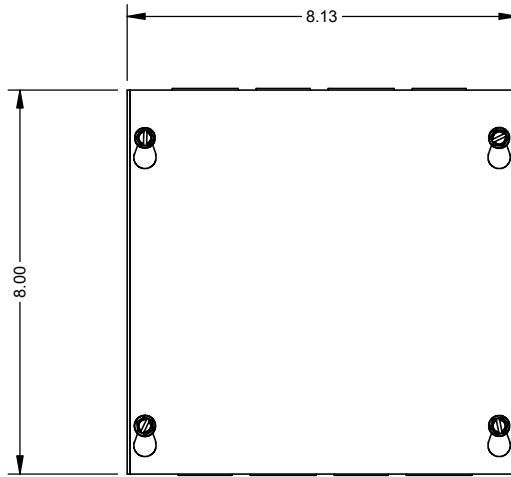
Brand Name: Milbank
Type: Screw Cover
Special Features: Cover Secured with Plated Screws
Application: Enclosure for Mounting Electrical Equipment
Standard: UL Listed
Number Of Outlet: 0
Material: Steel with Powder Coat Finish
Color: ANSI 61 Gray
Mounting: Wall Mount
NEMA Rating: Type 1



Utility requirements may vary. Always consult the serving utility for their requirements prior to ordering or installing this equipment. This product must always be installed by a licensed electrician. Installation of this equipment may require local electrical inspector approval.

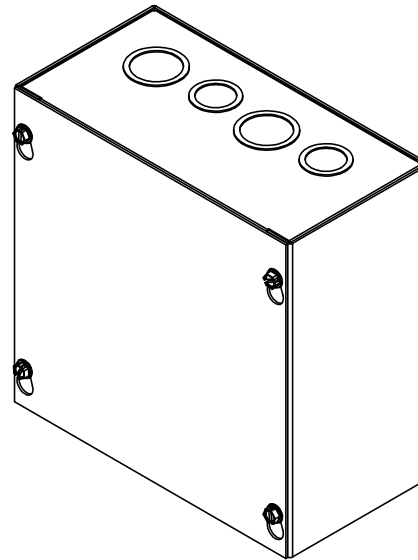
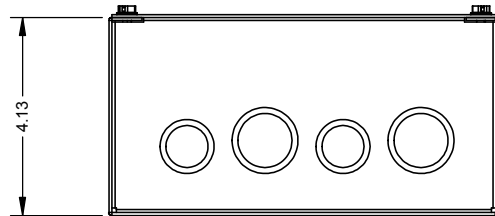
CATALOG#	LABEL#
884-SC1(-)	1002135
RC-884-SC1(-)	1125021
SPSC-884(-)	1132714

ITEM	QTY.	PART NUMBER	DESCRIPTION
1	4	1001290	SCREW, 10-32 X 5/16
2	1	(SEE CHART)	U/L LISTING LABEL
3	1	1002135	LABEL (UL)
4	1	1002475	1002170
5	2	1010875	BOTTOM
6	1	1001367	BACK
7	1	1157537	PLATE




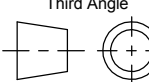
CRS CHART			
SUFFIX	WELDMENT #	K.O.'s	FINISH
NP	1153805	YES	NONE
NP-NK	1153806	NO	
NONE	1153809	YES	MILBANK LIGHT GRAY
NK	1000697	NO	
GALV. CHART			
NP	1011163	YES	NONE
NP-NK	1153807	NO	
NONE	1109524	YES	MILBANK LIGHT GRAY
NK	1153808	NO	

CRS CHART		
SUFFIX	PLATE #	FINISH
NONE	1103848	MILBANK LIGHT GRAY
NP	1003327	NONE
GALV. CHART		
NONE	1003704	MILBANK LIGHT GRAY
NP	1003328	NONE



- NOTES:
 1.) BAG ASSY TO BE SHIPPED INSIDE OF EACH ENCLOSURE.
 2.) WHEN SOLD WITH "R" PREFIX, APPLY STANDARD CARTON LABEL SHOWING QUANTITY OF 1 TO THE WRAPPING OF EACH UNIT. APPLY STANDARD CARTON LABEL TO CARTON SHOWING QUANTITY OF 4.

REV.	DATE	DESCRIPTION	BY
F	2/21/14	REMOVED KO'S FROM BACK eECR2722	AJS
E4	12/5/11	UPDATE RETAIL NOTE (ECO #21645)	D.F.
E5	5/16/12	NOTE 2: "THE WRAPPING" WAS "SHRINK WRAP" (ECO #22340)	D.F.

Material:	16 GA. GALV. STEEL		 General Offices: Kansas City, MO
Shear/ Die#:			
Finish:	MILBANK LIGHT GRAY		
Part Wt.:			
Tolerances: Unless Specified Otherwise X.X ±.1 X.XX ±.03 X.XXX ±.015 X* ±2*		Third Angle 	
Title:	884 SCREW COVER TYPE 1 ENCLOSURE		Catalog No.:
Customer:	MILBANK STANDARD		Drawing No.:
Date:	04/26/01	Sheet	1 of 1

1002641