



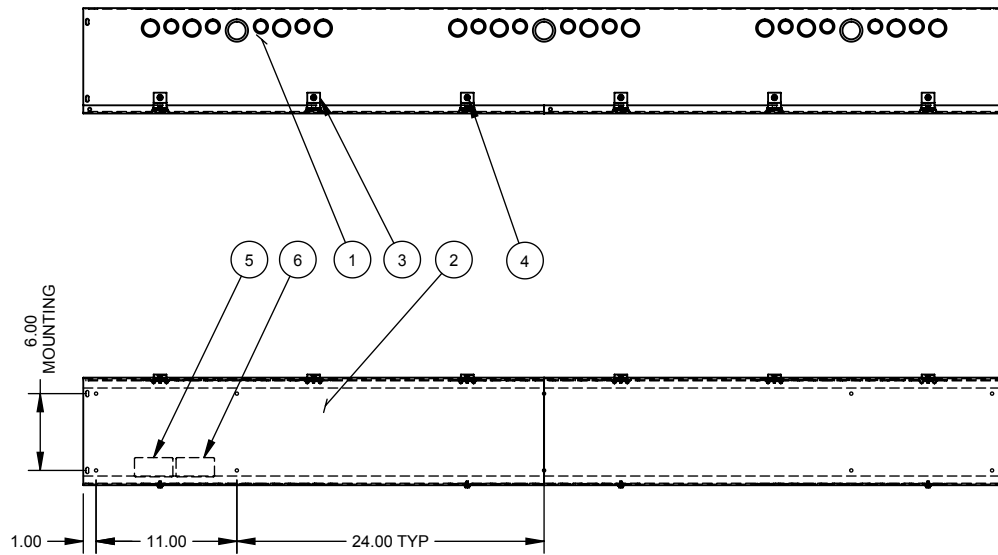
Catalog Number: 8872-GHC1-NK  
Item Description: N1 HINGE CVR GUTTER NK  
UPC Code: 784572289475

Brand Name: Milbank  
Type: Lay In Wireway  
Application: Wireway  
Standard: UL Listed, Type 1  
Cover Type: Hinge Cover  
Enclosure: Indoor Enclosure  
Nominal Cross Section: 8x8  
Straight Section Length: 72  
Material: Steel with Powder Coat Finish  
Finish: ANSI 61 Gray  
Knockouts: False

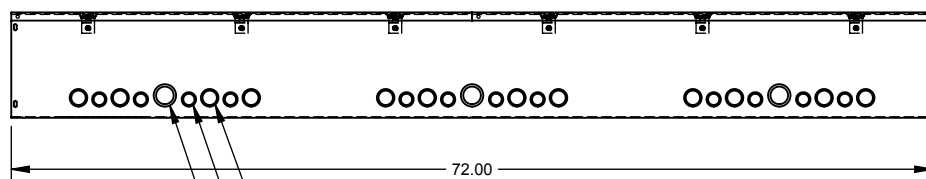
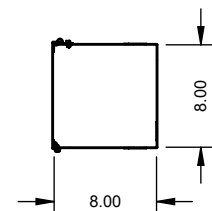


*Utility requirements may vary. Always consult the serving utility for their requirements prior to ordering or installing this equipment. This product must always be installed by a licensed electrician. Installation of this equipment may require local electrical inspector approval.*

ITEM	QTY.	PART NUMBER	DESCRIPTION
1	1	(SEE CHART)	BACK
2	2	(SEE CHART)	TOP
3	6	1003198	HINGE
4	10	1001290	SCREW, 10-32 X 5/16
5	1	1002943	LABEL (U/L LISTING)
6	1	1002913	LABEL, RATING
7	3	1002880	BAG ASSY.



SUFFIX	BACK #	COVER #
-SU	1115846	1115847
-SUC	1129007	1128974
-SO	1129008	1128975
-SUNK	1117650	1115847
-NK	1129009	1128975
-SUNKC	1129010	1128974


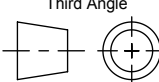


- 3/4, 1 CONC. K.O.  
32 PL
- 1/2, 3/4 CONC. K.O.  
32 PL
- 1, 1-1/4 CONC. K.O.  
8 PL

SUFFIX	FINISH
NONE	PAINTED
-NP	NOT PAINTED

- NOTE:
1. PLACE BAG ASS'Y INSIDE ENCLOSURE. (NOT SHOWN)
  2. WHEN SOLD AS (RC)- PREFIX USE LABEL #1125051 INSTEAD OF #1002943

REV.	DATE	DESCRIPTION	BY
A	8-29-07	ADDED BACK & COVER CHART & REMOVED IT. 1115847 & ADDED 1128971 & IT. 1001290 QTY. W 12 ECO. 15946	DL

Material:	14 GA. - SEE CHART	 <p>General Offices: Kansas City, MO</p>	
Shear/ Die#:			
Finish:	SEE CHART	Title:	HINGE COVER WIREWAY 8 x 8 x 72, TYPE 1 NEMA ENCLOSURE
Part Wt.:		Catalog No.:	8872-GHC1
Tolerances: Unless Specified Otherwise X.X ±.1 X.XX ±.03 X.XXX ±.015 X* ±2*		Customer:	MILBANK STANDARD
Third Angle 		Drawing No.:	11536-11
Scale:	NTS	Checked By:	
Drawn By:	DY	Approved By:	
Date:	05/29/02	Sheet	1 of 1



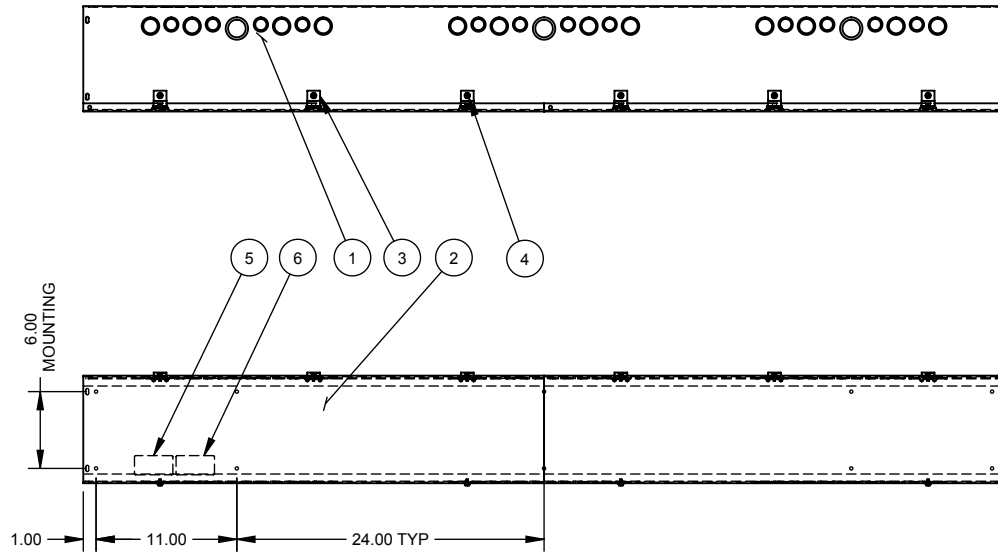
Catalog Number: 8872-GHC1-NK  
Item Description: N1 HINGE CVR GUTTER NK  
UPC Code: 784572289475

Brand Name: Milbank  
Type: Lay In Wireway  
Application: Wireway  
Standard: UL Listed, Type 1  
Cover Type: Hinge Cover  
Enclosure: Indoor Enclosure  
Nominal Cross Section: 8x8  
Straight Section Length: 72  
Material: Steel with Powder Coat Finish  
Finish: ANSI 61 Gray  
Knockouts: False

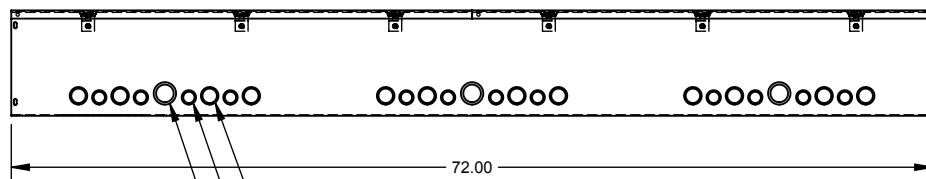
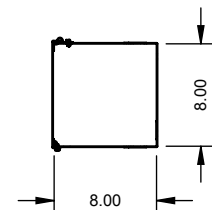


*Utility requirements may vary. Always consult the serving utility for their requirements prior to ordering or installing this equipment. This product must always be installed by a licensed electrician. Installation of this equipment may require local electrical inspector approval.*

ITEM	QTY.	PART NUMBER	DESCRIPTION
1	1	(SEE CHART)	BACK
2	2	(SEE CHART)	TOP
3	6	1003198	HINGE
4	10	1001290	SCREW, 10-32 X 5/16
5	1	1002943	LABEL (U/L LISTING)
6	1	1002913	LABEL, RATING
7	3	1002880	BAG ASSY.



SUFFIX	BACK #	COVER #
-SU	1115846	1115847
-SUC	1129007	1128974
-SO	1129008	1128975
-SUNK	1117650	1115847
-NK	1129009	1128975
-SUNKC	1129010	1128974


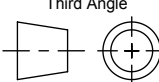


- 3/4, 1 CONC. K.O.  
32 PL
- 1/2, 3/4 CONC. K.O.  
32 PL
- 1, 1-1/4 CONC. K.O.  
8 PL

SUFFIX	FINISH
NONE	PAINTED
-NP	NOT PAINTED

NOTE:  
 1. PLACE BAG ASS'Y INSIDE ENCLOSURE. (NOT SHOWN)  
 2. WHEN SOLD AS (RC)- PREFIX USE LABEL #1125051 INSTEAD OF #1002943

REV.	DATE	DESCRIPTION	BY
A	8-29-07	ADDED BACK & COVER CHART & REMOVED IT. 1115847 & ADDED 1128971 & IT. 1001290 QTY. W 12 ECO. 15946	DL

Material:	14 GA. - SEE CHART	 General Offices: Kansas City, MO	
Shear/ Die#:			
Finish:	SEE CHART	Title:	HINGE COVER WIREWAY 8 x 8 x 72, TYPE 1 NEMA ENCLOSURE
Part Wt.:		Catalog No.:	8872-GHC1
Tolerances: Unless Specified Otherwise X.X ±.1 X.XX ±.03 X.XXX ±.015 X* ±2*		Customer:	MILBANK STANDARD
Third Angle 		Drawing No.:	11536-11
Scale:	NTS	Checked By:	
Drawn By:	DY	Approved By:	
Date:	05/29/02	Sheet	1 of 1