



Catalog Number: 8872-GSC3R-NK  
Item Description: N3R SCREW CVR GUTTER NK  
UPC Code: 784572109704

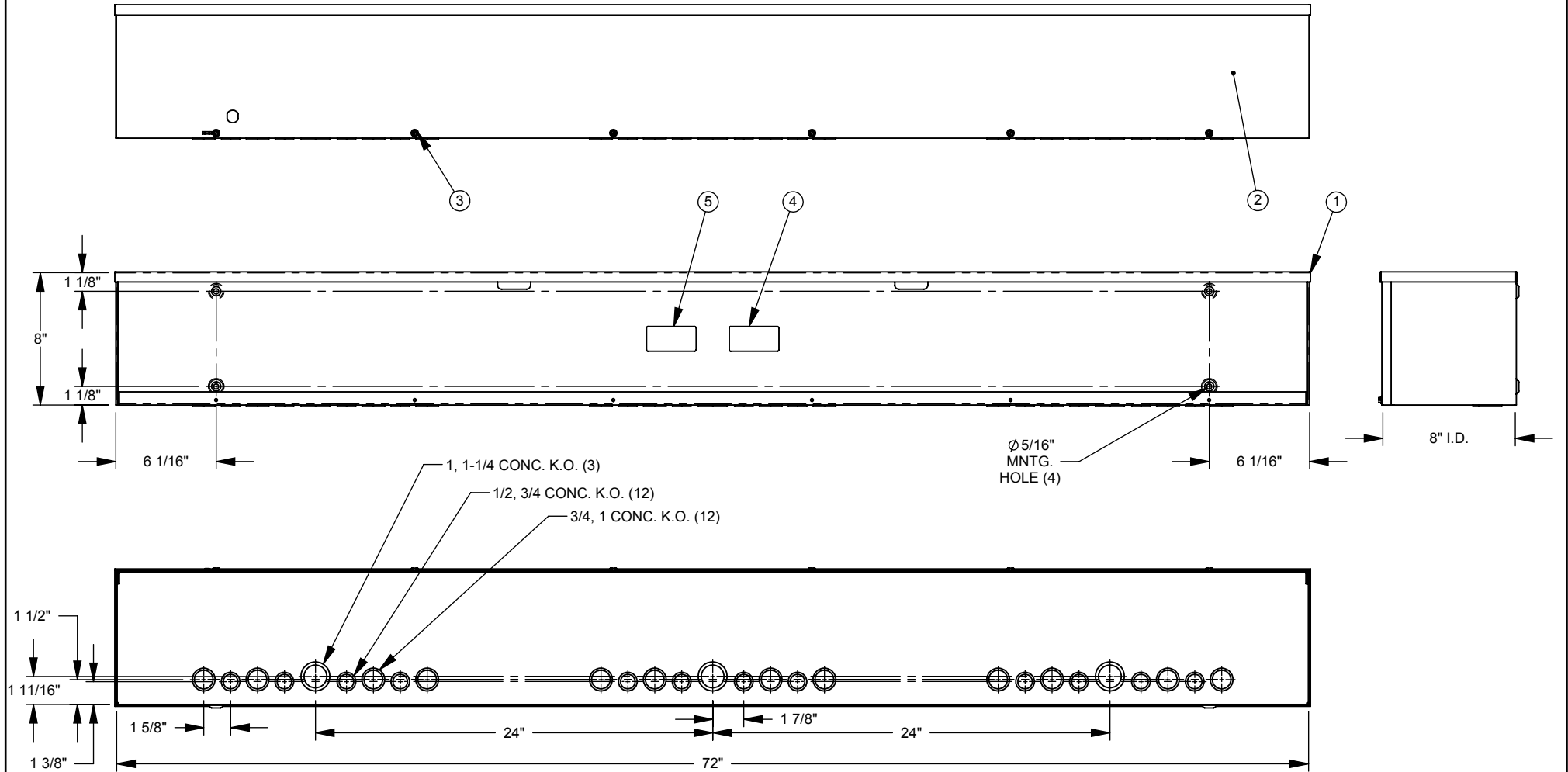
Brand Name: Milbank  
Type: Wiring Trough  
Special Features: Key Locking Cylinder Latch Provision,  
Sealing Eye Lance  
Application: Wireway  
Standard: UL Listed, Type 3R  
Cover Type: Screw Cover  
Enclosure: Outdoor Enclosure  
Nominal Cross Section: 8x8  
Straight Section Length: 72  
Material: Steel with Powder Coat Finish  
Finish: ANSI 61 Gray  
Knockouts: False



*Utility requirements may vary. Always consult the serving utility for their requirements prior to ordering or installing this equipment. This product must always be installed by a licensed electrician. Installation of this equipment may require local electrical inspector approval.*

CAT. NO.	U/L LABEL
8872-GSC3R	1002943
RC-8872-GSC3R	1125051
SPRSCG-8872	1132575

ITEM	QTY.	PART NUMBER	DESCRIPTION
1	1	(SEE CHART)	BACK WELDMENT
2	1	(SEE CHART)	FRONT
3	6	1001290	SCREW, 10-32 X 5/16
4	1	1002896	LABEL, RATING 8x8 GSC3R
5	1	(SEE CHART)	UL LABEL, WIREWAY



SUFFIX	FINISH	K.O.s INSTALLED	WELDMENT NO.	FRONT NO.
NONE	MILBANK	YES	1156517	1156516
-NK	LIGHT GRAY	NO	1156518	
-NP	NONE	YES	1156519	1004430
-NP-NK		NO	1156520	

NEMA DWG.: #296

REV.	DATE	DESCRIPTION	BY
D3	11/22/11	REDRAW INTO SOLIDWORKS; UPDATE K.O. PATTERN (ECO #21629)	D.F.

Material:	16 GA. GALV. STEEL		<p>General Offices: Kansas City, MO</p>
Shear/ Die#:			
Finish:	SEE CHART		Title:
Part Wt.:			SCREW COVER WIREWAY NEMA TYPE 3R
Tolerances:	Unless Specified Otherwise X.X ±.1 X.XX ±.03 X.XXX ±.015 X* ±2*		Catalog No.:
			(SEE CHART)
Scale:	NTS	Checked By:	Customer:
Drawn By:	D.F.	Approved By:	Drawing No.:
			1002577
		Date:	11/22/11
		Sheet	1 of 1



Catalog Number: 8872-GSC3R-NK  
Item Description: N3R SCREW CVR GUTTER NK  
UPC Code: 784572109704

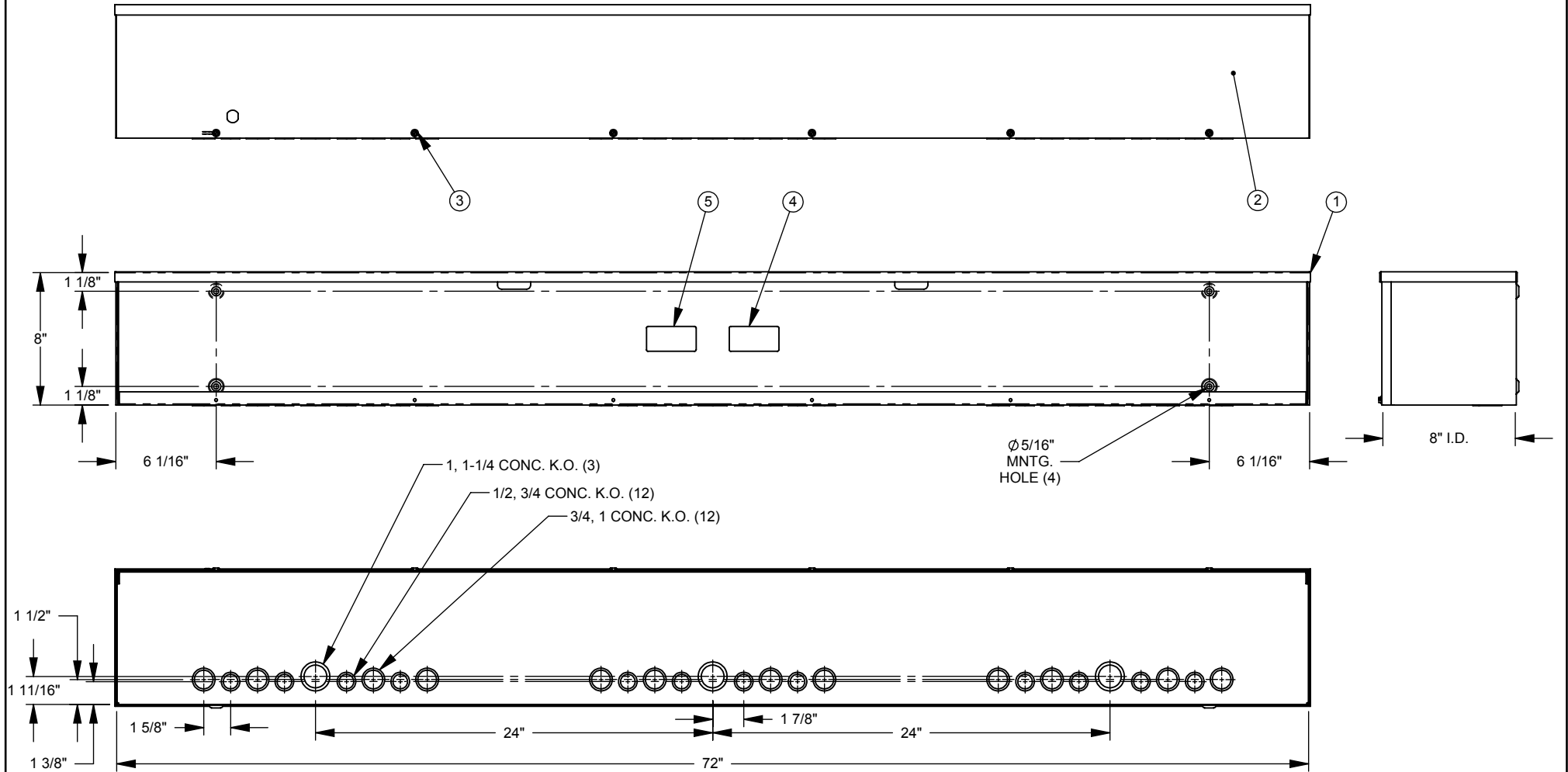
Brand Name: Milbank  
Type: Wiring Trough  
Special Features: Key Locking Cylinder Latch Provision,  
Sealing Eye Lance  
Application: Wireway  
Standard: UL Listed, Type 3R  
Cover Type: Screw Cover  
Enclosure: Outdoor Enclosure  
Nominal Cross Section: 8x8  
Straight Section Length: 72  
Material: Steel with Powder Coat Finish  
Finish: ANSI 61 Gray  
Knockouts: False



*Utility requirements may vary. Always consult the serving utility for their requirements prior to ordering or installing this equipment. This product must always be installed by a licensed electrician. Installation of this equipment may require local electrical inspector approval.*

CAT. NO.	U/L LABEL
8872-GSC3R	1002943
RC-8872-GSC3R	1125051
SPRSCG-8872	1132575


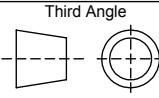
ITEM	QTY.	PART NUMBER	DESCRIPTION
1	1	(SEE CHART)	BACK WELDMENT
2	1	(SEE CHART)	FRONT
3	6	1001290	SCREW, 10-32 X 5/16
4	1	1002896	LABEL, RATING 8x8 GSC3R
5	1	(SEE CHART)	UL LABEL, WIREWAY



SUFFIX	FINISH	K.O.s INSTALLED	WELDMENT NO.	FRONT NO.
NONE	MILBANK	YES	1156517	1156516
-NK	LIGHT GRAY	NO	1156518	
-NP	NONE	YES	1156519	1004430
-NP-NK		NO	1156520	

NEMA DWG.: #296

REV.	DATE	DESCRIPTION	BY
D3	11/22/11	REDRAW INTO SOLIDWORKS; UPDATE K.O. PATTERN (ECO #21629)	D.F.

Material:	16 GA. GALV. STEEL		 <p>General Offices: Kansas City, MO</p>
Shear/ Die#:			
Finish:	SEE CHART		Title:
Part Wt.:			SCREW COVER WIREWAY NEMA TYPE 3R
Tolerances:	Unless Specified Otherwise X.X ±.1 X.XX ±.03 X.XXX ±.015 X* ±2*		Catalog No.:
			Customer:
Scale:	NTS	Checked By:	Drawing No.:
Drawn By:	D.F.	Approved By:	Date:
			11/22/11
			Sheet 1 of 1

1002577