

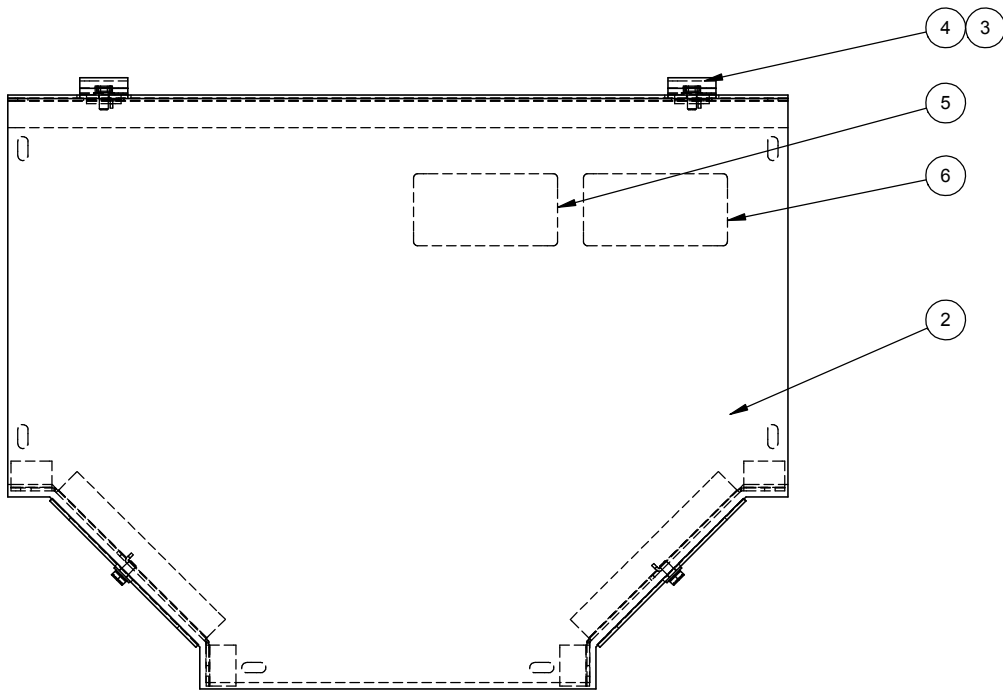


Catalog Number: 88GFT
Item Description: WIREWAY ACCESSORY
UPC Code: 784572109865

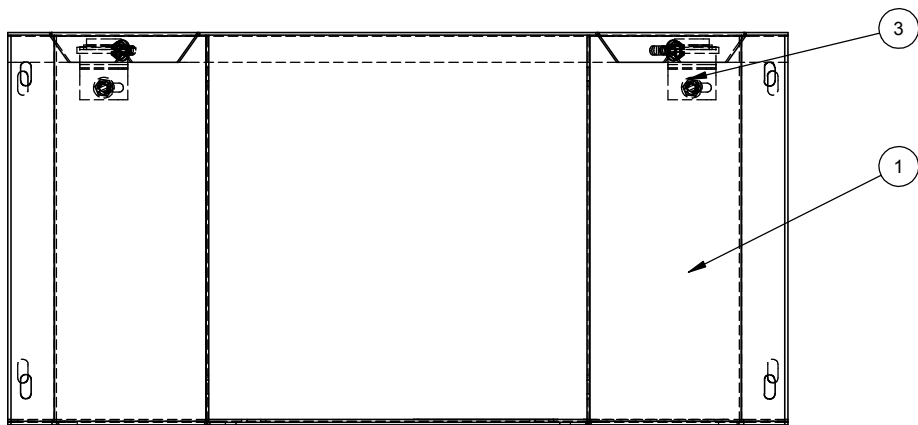
Brand Name: Milbank
Type: Wireway Tee
Application: Wireway Accessory
Standard: UL Listed, Type 1
Cover Type: Screw Cover
Enclosure: Indoor Enclosure
Nominal Cross Section: 8x8
Material: Steel with Powder Coat Finish
Finish: ANSI 61 Gray
Knockouts: False




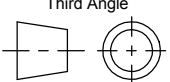
Utility requirements may vary. Always consult the serving utility for their requirements prior to ordering or installing this equipment. This product must always be installed by a licensed electrician. Installation of this equipment may require local electrical inspector approval.



| ITEM | QTY. | PART NUMBER | DESCRIPTION |
|------|------|-------------|---------------------|
| 1 | 1 | 1159323 | SHELL WEDLMENT |
| | 1 | 1159301 | BACK |
| | 1 | 1159299 | BOTTOM |
| | 2 | 1159297 | SIDE |
| 2 | 1 | 1159296 | TOP |
| 3 | 4 | 1001290 | SCREW, 10-32 X 5/16 |
| 4 | 2 | 1003198 | HINGE |
| 5 | 1 | 1002913 | LABEL, RATING |
| 6 | 1 | (SEE CHART) | UL LABEL, WIREWAY |
| 7 | 1 | 1002935 | CARTON (NOT SHOWN) |



| CATALOG # | LABEL # |
|-----------|----------|
| 88GFT | #1002943 |
| RC-88GFT | #1125051 |
| SPAF-88 | #1132575 |

| | | | | |
|--|-------------------|--|---|--------------------------------|
| Material: | 16 GA STEEL | |  General Offices: Kansas City, MO | |
| Shear/ Die#: | | | | |
| Finish: | MILBAN LIGHT GRAY | | Title: | HINGE COVER WIREWAY 8X8 TEE |
| Part Wt.: | | | Catalog No.: | (SEE CHART) |
| Tolerances: Unless Specified Otherwise X.X ±.1 X.XX ±.03 X.XXX ±.015 X" ±2" | | Third Angle  | | Customer: |
| Scale: | NTS | Checked By: | Drawing No.: 1006550 | |
| Drawn By: | DL | Approved By: | Date: | 5-25-12 Sheet 1 of 1 |

| REV. | DATE | DESCRIPTION | BY |
|------|---------|--|----|
| A3 | 5-25-12 | REDRAWN IN SW; DRAWING NUMBER WAS 374, ADDED SHELL WEDLMENT (ECO #22367) | DL |

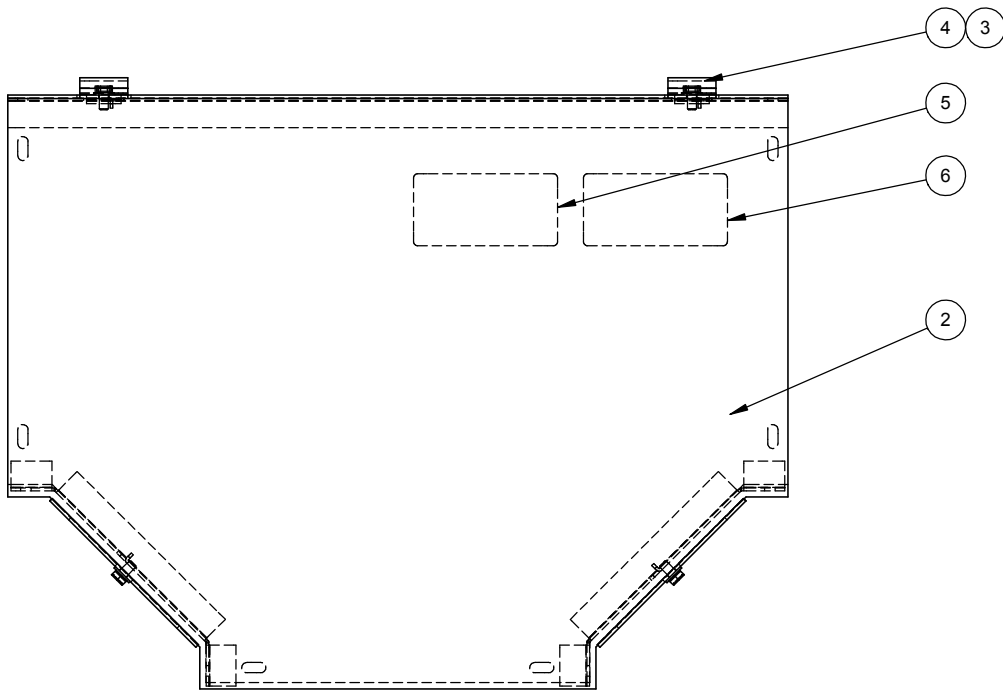


Catalog Number: 88GFT
Item Description: WIREWAY ACCESSORY
UPC Code: 784572109865

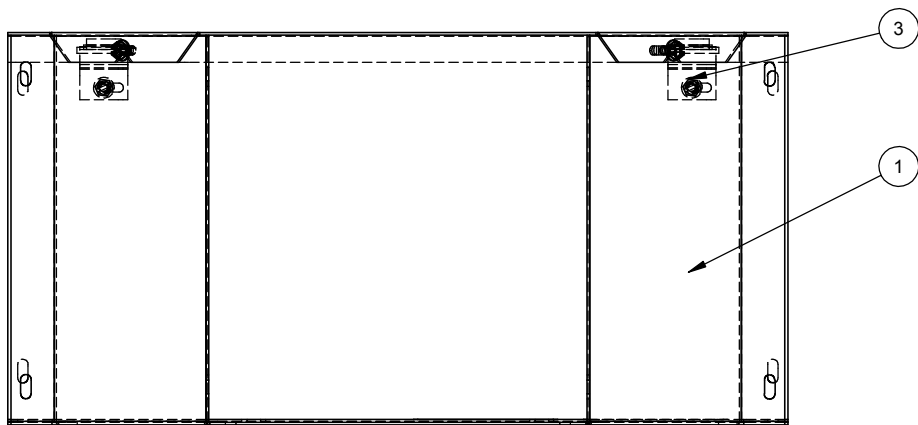
Brand Name: Milbank
Type: Wireway Tee
Application: Wireway Accessory
Standard: UL Listed, Type 1
Cover Type: Screw Cover
Enclosure: Indoor Enclosure
Nominal Cross Section: 8x8
Material: Steel with Powder Coat Finish
Finish: ANSI 61 Gray
Knockouts: False




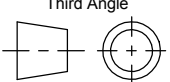
Utility requirements may vary. Always consult the serving utility for their requirements prior to ordering or installing this equipment. This product must always be installed by a licensed electrician. Installation of this equipment may require local electrical inspector approval.



| ITEM | QTY. | PART NUMBER | DESCRIPTION |
|------|------|-------------|---------------------|
| 1 | 1 | 1159323 | SHELL WEDLMENT |
| | 1 | 1159301 | BACK |
| | 1 | 1159299 | BOTTOM |
| | 2 | 1159297 | SIDE |
| 2 | 1 | 1159296 | TOP |
| 3 | 4 | 1001290 | SCREW, 10-32 X 5/16 |
| 4 | 2 | 1003198 | HINGE |
| 5 | 1 | 1002913 | LABEL, RATING |
| 6 | 1 | (SEE CHART) | UL LABEL, WIREWAY |
| 7 | 1 | 1002935 | CARTON (NOT SHOWN) |



| CATALOG # | LABEL # |
|-----------|----------|
| 88GFT | #1002943 |
| RC-88GFT | #1125051 |
| SPAF-88 | #1132575 |

| | | |
|--|-------------------|---|
| Material: | 16 GA STEEL |  General Offices: Kansas City, MO |
| Shear/ Die#: | | |
| Finish: | MILBAN LIGHT GRAY | Title: HINGE COVER WIREWAY 8X8 TEE |
| Part Wt.: | | Catalog No.: (SEE CHART) |
| Tolerances: Unless Specified Otherwise X.X ±.1 X.XX ±.03 X.XXX ±.015 X" ±2" | | Third Angle  |
| Scale: | NTS | Checked By: |
| Drawn By: | DL | Approved By: |
| | | Customer: |
| | | Drawing No.: 1006550 |
| Date: | 5-25-12 | Sheet 1 of 1 |

| REV. | DATE | DESCRIPTION | BY |
|------|---------|--|----|
| A3 | 5-25-12 | REDRAWN IN SW; DRAWING NUMBER WAS 374, ADDED SHELL WEDLMENT (ECO #22367) | DL |