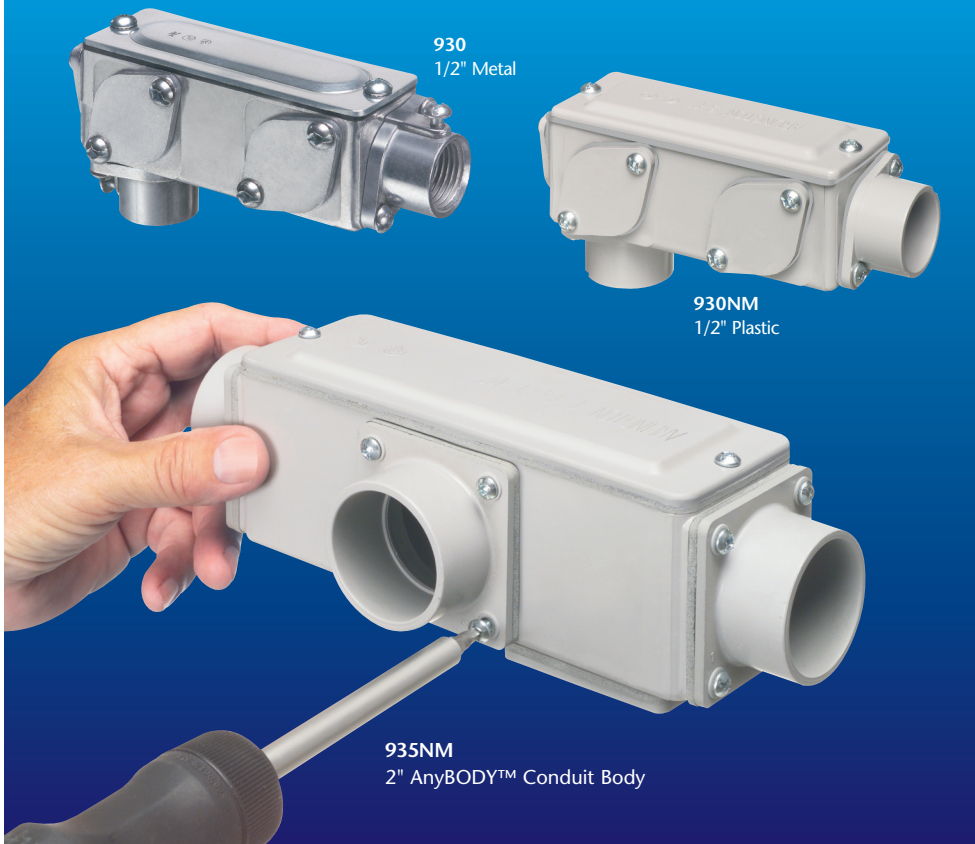


AnyBODY™ Conduit Bodies

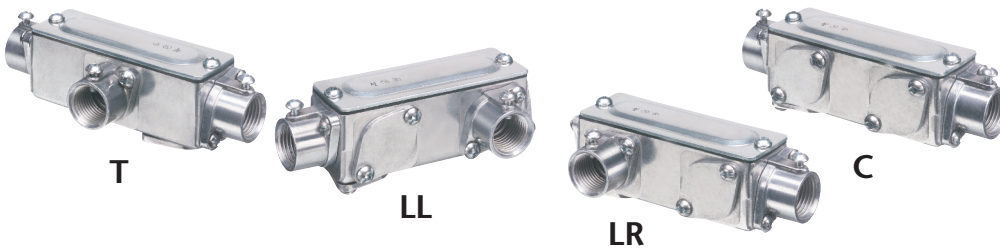
MORE
on
reverse

Aluminum & Plastic • Weather-tight Seal for Exterior Use

AnyBODY ships as an LB...



But converts to a T, LL, LR or C **FAST!**



*Five conduit bodies in one...
all anybody needs to save time & money!*

Meets NEC 2011 314.16 (c) (2) for Conduit Bodies with Splices, Taps or Devices.

Arlington's aluminum or plastic AnyBODY™ ships as an LB, but converts to a T, LL, LR or C by switching the blank plates and threaded flanges to create the style you need.

It's easy – and convenient.

Plus, it saves you the hassle, space, and cost of stocking five different conduit bodies.

They're competitively priced with LBs with NO EXTRA COST for the normally more expensive T .

Plastic

- Sizes 1/2" to 4"
- Includes three non-metallic hubs with glue-in conduit joint

Aluminum

- Sizes 1/2" to 4"
- Includes threaded flanges for three openings
- 1/2" to 2" are combination EMT/rigid – they're threaded for rigid, but also have a set-screw for use with EMT
- Seated O-rings maintain weather-tight seal.
- UL/CSA Listed



View Video



Arlington

1 Stauffer Industrial Park
Scranton, PA 18517

800/233.4717

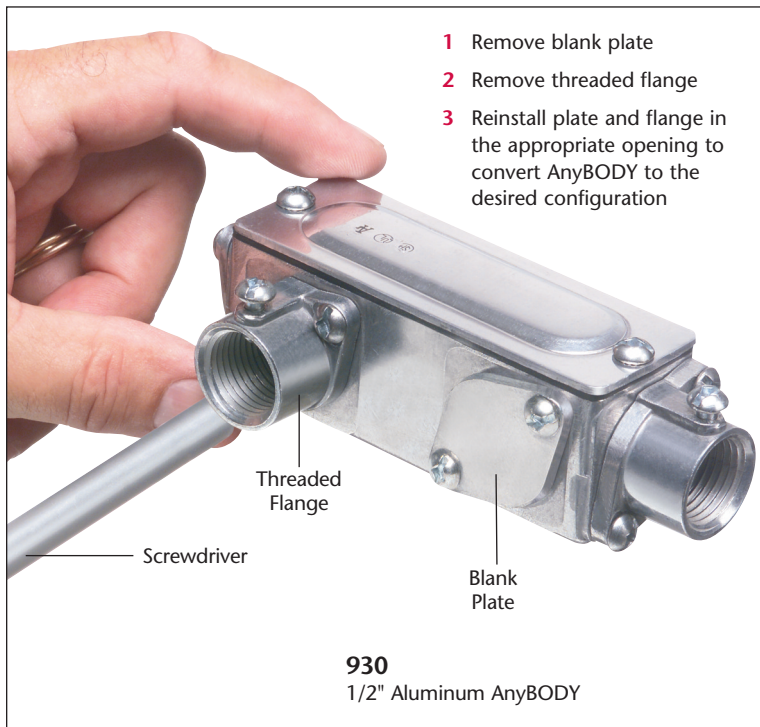
Fax 570/562.0646

www.aifittings.com

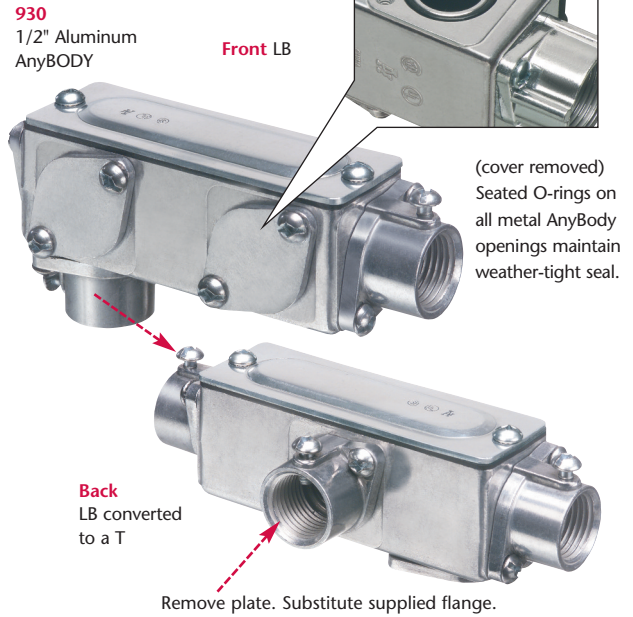
Patent pending

AnyBODY™ Conduit Bodies

Aluminum & Plastic • Weather-tight Seal for Exterior Use



Convert AnyBODY from an LB to a T, C, LR, or LL the EASY WAY!



Meets NEC 2011 314.16 (c) (2) for Conduit Bodies with Splices, Taps or Devices.

"Only those conduit bodies that are durably and legibly marked by the manufacturer with their volume shall be permitted to contain splices, taps or devices. The maximum number of conductors shall be calculated in accordance with 314.16 (B). Conduit bodies shall be supported in a rigid and secure manner."

Catalog Number	UPC/DEI/NAED Mfg. #018997	Description Aluminum or Plastic Body	Size	Unit Pkg	Std Pkg
930	17900	Aluminum with combination set-screw/threaded flanges for EMT, rigid and IMC	1/2"	10	10
931	17901		3/4"	10	10
932	17902		1"	5	5
933	17903		1-1/4"	2	10
934	17904		1-1/2"	2	10
935	17905	2"	1	5	
936	17906	Aluminum with threaded flanges for rigid only	2-1/2"	1	1
937	17907		3"	1	1
938	17908		3-1/2"	1	1
939	17909		4"	1	1
930NM	12500	Plastic includes Three Flanges with Glue-in Conduit Joints	1/2"	10	10
931NM	12501		3/4"	10	10
932NM	12502		1"	5	5
933NM	12503		1-1/4"	2	10
934NM	12504		1-1/2"	2	10
935NM	12505		2"	1	5
936NM	12506		2-1/2"	1	1
937NM	12507		3"	1	1
938NM	12508		3-1/2"	1	1
939NM	12509	4"	1	1	



Arlington

1 Stauffer Industrial Park
Scranton, PA 18517
800/233.4717
Fax 570/562.0646
www.aifittings.com



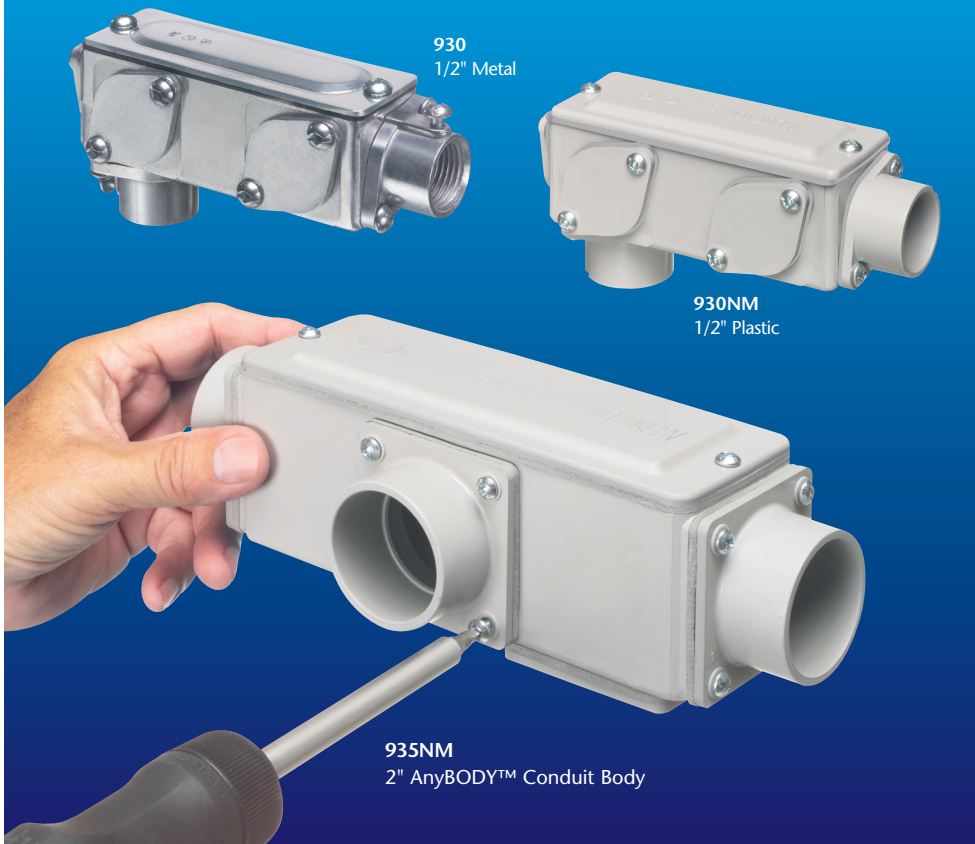
Distributed by

AnyBODY™ Conduit Bodies

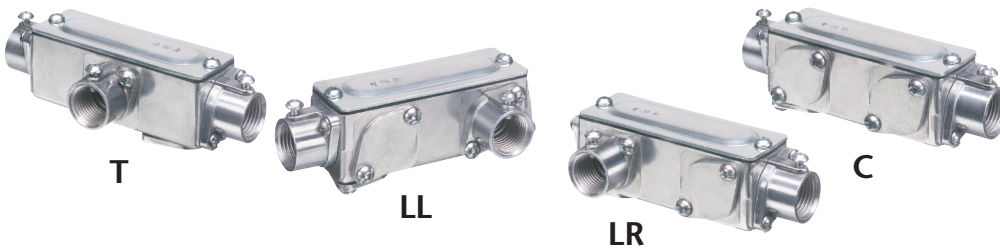
MORE
on
reverse

Aluminum & Plastic • Weather-tight Seal for Exterior Use

AnyBODY ships as an LB...



But converts to a T, LL, LR or C **FAST!**



*Five conduit bodies in one...
all anybody needs to save time & money!*

Meets NEC 2011 314.16 (c) (2) for Conduit Bodies with Splices, Taps or Devices.

Arlington's aluminum or plastic AnyBODY™ ships as an LB, but converts to a T, LL, LR or C by switching the blank plates and threaded flanges to create the style you need.

It's easy – and convenient.

Plus, it saves you the hassle, space, and cost of stocking five different conduit bodies.

They're competitively priced with LBs with NO EXTRA COST for the normally more expensive T .

Plastic

- Sizes 1/2" to 4"
- Includes three non-metallic hubs with glue-in conduit joint

Aluminum

- Sizes 1/2" to 4"
- Includes threaded flanges for three openings
- 1/2" to 2" are combination EMT/rigid – they're threaded for rigid, but also have a set-screw for use with EMT
- Seated O-rings maintain weather-tight seal.
- UL/CSA Listed



View Video



Arlington

1 Stauffer Industrial Park
Scranton, PA 18517

800/233.4717

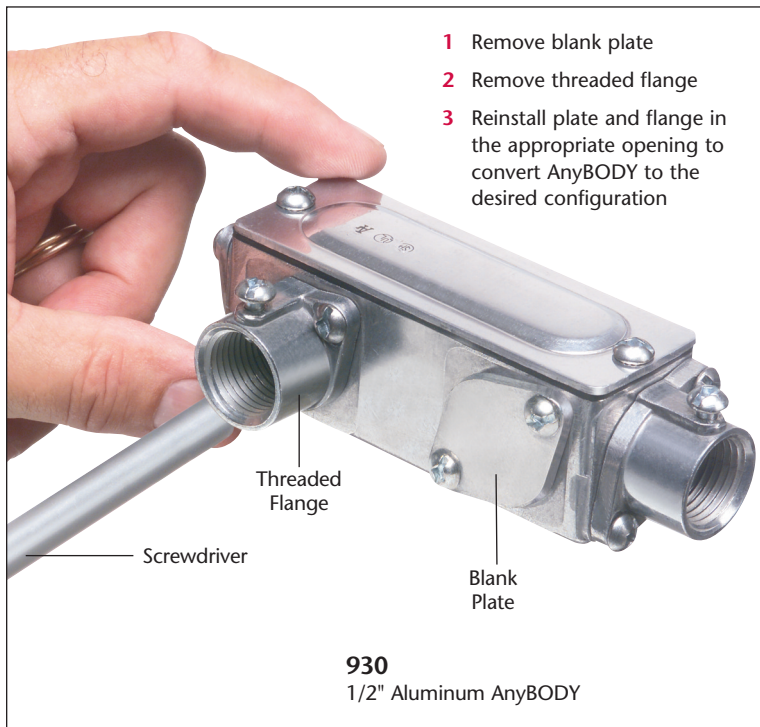
Fax 570/562.0646

www.aifittings.com

Patent pending

AnyBODY™ Conduit Bodies

Aluminum & Plastic • Weather-tight Seal for Exterior Use



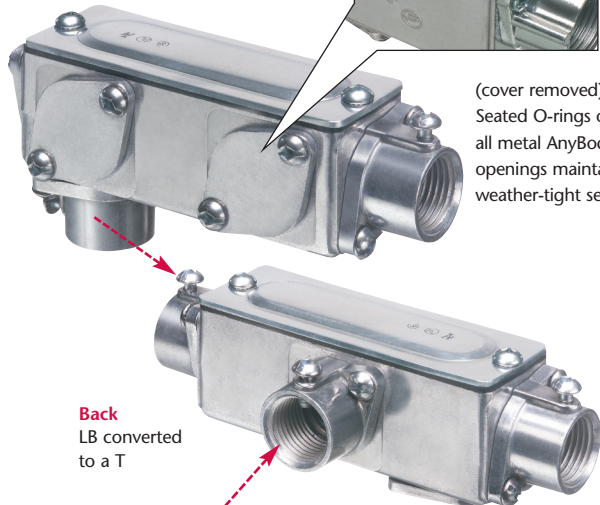
Convert AnyBODY from an LB to a T, C, LR, or LL the EASY WAY!

930
1/2" Aluminum AnyBODY

Front LB



(cover removed)
Seated O-rings on all metal AnyBody openings maintain weather-tight seal.

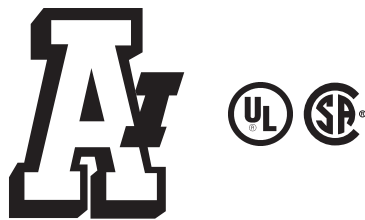


Remove plate. Substitute supplied flange.

Meets NEC 2011 314.16 (c) (2) for Conduit Bodies with Splices, Taps or Devices.

"Only those conduit bodies that are durably and legibly marked by the manufacturer with their volume shall be permitted to contain splices, taps or devices. The maximum number of conductors shall be calculated in accordance with 314.16 (B). Conduit bodies shall be supported in a rigid and secure manner."

Catalog Number	UPC/DEI/NAED Mfg. #018997	Description Aluminum or Plastic Body	Size	Unit Pkg	Std Pkg
930	17900	Aluminum with combination set-screw/threaded flanges for EMT, rigid and IMC	1/2"	10	10
931	17901		3/4"	10	10
932	17902		1"	5	5
933	17903		1-1/4"	2	10
934	17904		1-1/2"	2	10
935	17905	2"	1	5	
936	17906	Aluminum with threaded flanges for rigid only	2-1/2"	1	1
937	17907		3"	1	1
938	17908		3-1/2"	1	1
939	17909		4"	1	1
930NM	12500	Plastic includes Three Flanges with Glue-in Conduit Joints	1/2"	10	10
931NM	12501		3/4"	10	10
932NM	12502		1"	5	5
933NM	12503		1-1/4"	2	10
934NM	12504		1-1/2"	2	10
935NM	12505		2"	1	5
936NM	12506		2-1/2"	1	1
937NM	12507		3"	1	1
938NM	12508		3-1/2"	1	1
939NM	12509	4"	1	1	



Arlington

1 Stauffer Industrial Park
Scranton, PA 18517
800/233.4717
Fax 570/562.0646
www.aifittings.com



Distributed by