

Heavy Duty Terminal Blocks

985 GP Series - Deadfront Type

600 Volts AC/DC (UL/CSA)
630 Volts (CE)



985 GP 06

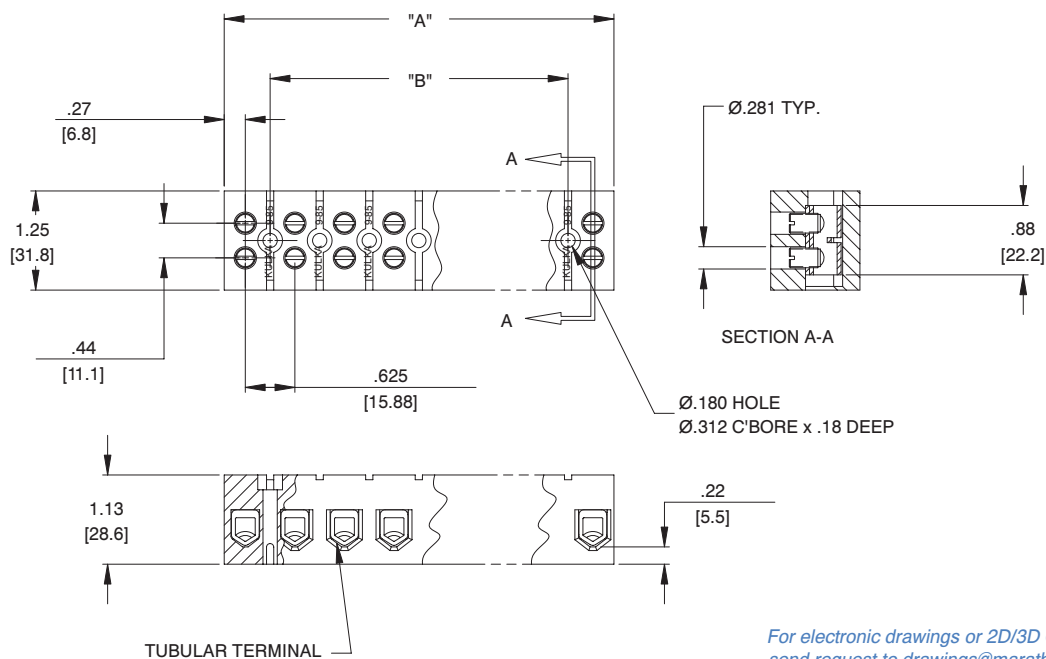
Specifications:

- Base, General Purpose Phenolic, 150°C
- Connector, Aluminum, Tin (Sn) Plated
- Screws, Steel, Tin (Sn) Plated
- Current Rating up to **85 Amps**
- Wire Range #4-#18 AWG Copper Wire
- Multiple Wire Combinations For Solid or Stranded Copper Wire Are:
 - (1) #4 AWG
 - (1) #6 AWG
 - (1 - 2) #8 AWG
 - (1 - 4) #10 AWG
 - (1 - 4) #12 AWG
 - (1 - 6) #14 AWG
 - (1 - 6) #16 AWG
 - (1 - 8) #18 AWG
- 5/8" (.625") Center-Line Spacing
- UL Recognized File No. XCFR2.E47811
- CSA Certified File No. LR19766
- CE
- RoHS Compliant

Catalog #	# of poles	Dimensions	
		A	B
985 GP 02	2	1.16	N/A
985 GP 03	3	1.78	0.63
985 GP 04	4	2.41	1.25
985 GP 05	5	3.03	1.88
985 GP 06	6	3.66	2.50
985 GP 07	7	4.28	3.13
985 GP 08	8	4.91	3.75
985 GP 09	9	5.53	4.38
985 GP 10	10	6.16	5.00
985 GP 11	11	6.78	5.63
985 GP 12	12	7.41	6.25

See page 34 for DIN Rail Adapter

mm = dim X 25.4



For electronic drawings or 2D/3D CAD data, send request to drawings@marathonsp.com

Heavy Duty Terminal Blocks

General Information:

Heavy Duty Terminal Blocks are available in two styles – Deadfront Type (1100, 1200, 985 and 0987 series) and Barrier Type (1500, 1600 and 1700 series).

Ratings and Standards:

The voltage ratings of terminal blocks are based upon the minimum spacing between electrically conductive parts line to line through air and over surface, and line to ground through air and over surface.

Class A

Service equipment including deadfront switchboards, panel boards, service entrance devices.

Class B

Commercial appliances including business equipment, electronic data processing equipment and the like.

Class C

General industrial and machine tool controls which can be further defined as equipment falling under UL 508. Ratings based on UL 1059 may be higher in some cases depending on application.

Spacing Requirements*:

	Voltage	Thru Air	Over Surface
Class A	51-150	.500	.750
	151-300	.750	1.250
	301-600	1.000	2.000
Class B	51-150	.063	.063
	151-300	.094	.094
	301-600	.375	.500
Class C	51-150	.125	.250
	151-300	.250	.375
	301-600	.375	.500

*In Inches

Applications:

These rugged terminal blocks are widely used in such industries as traffic control, utilities, switchgear and other utility related applications, such as windpower.

Heavy Duty Terminal Blocks

985 GP Series - Deadfront Type

600 Volts AC/DC (UL/CSA)
630 Volts (CE)



985 GP 06

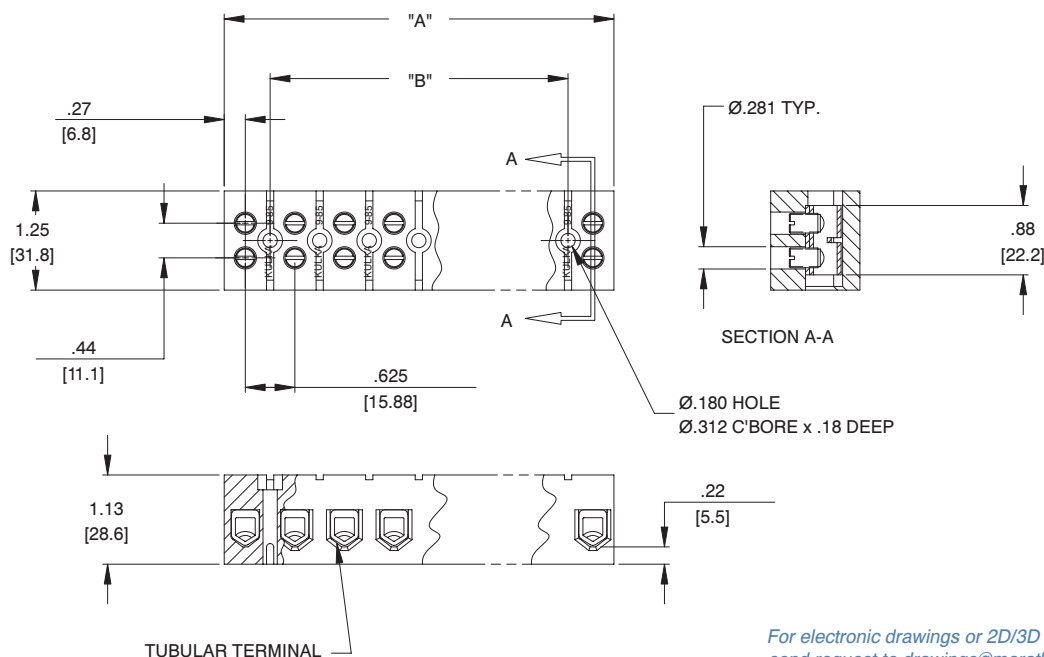
Specifications:

- Base, General Purpose Phenolic, 150°C
- Connector, Aluminum, Tin (Sn) Plated
- Screws, Steel, Tin (Sn) Plated
- Current Rating up to **85 Amps**
- Wire Range #4-#18 AWG Copper Wire
- Multiple Wire Combinations For Solid or Stranded Copper Wire Are:
 - (1) #4 AWG
 - (1) #6 AWG
 - (1 - 2) #8 AWG
 - (1 - 4) #10 AWG
 - (1 - 4) #12 AWG
 - (1 - 6) #14 AWG
 - (1 - 6) #16 AWG
 - (1 - 8) #18 AWG
- 5/8" (.625") Center-Line Spacing
- UL Recognized File No. XCFR2.E47811
- CSA Certified File No. LR19766
- CE
- RoHS Compliant

Catalog #	# of poles	Dimensions	
		A	B
985 GP 02	2	1.16	N/A
985 GP 03	3	1.78	0.63
985 GP 04	4	2.41	1.25
985 GP 05	5	3.03	1.88
985 GP 06	6	3.66	2.50
985 GP 07	7	4.28	3.13
985 GP 08	8	4.91	3.75
985 GP 09	9	5.53	4.38
985 GP 10	10	6.16	5.00
985 GP 11	11	6.78	5.63
985 GP 12	12	7.41	6.25

See page 34 for DIN Rail Adapter

mm = dim X 25.4



For electronic drawings or 2D/3D CAD data, send request to drawings@marathonsp.com

Heavy Duty Terminal Blocks

General Information:

Heavy Duty Terminal Blocks are available in two styles – Deadfront Type (1100, 1200, 985 and 0987 series) and Barrier Type (1500, 1600 and 1700 series).

Ratings and Standards:

The voltage ratings of terminal blocks are based upon the minimum spacing between electrically conductive parts line to line through air and over surface, and line to ground through air and over surface.

Class A

Service equipment including deadfront switchboards, panel boards, service entrance devices.

Class B

Commercial appliances including business equipment, electronic data processing equipment and the like.

Class C

General industrial and machine tool controls which can be further defined as equipment falling under UL 508. Ratings based on UL 1059 may be higher in some cases depending on application.

Spacing Requirements*:

	Voltage	Thru Air	Over Surface
Class A	51-150	.500	.750
	151-300	.750	1.250
	301-600	1.000	2.000
Class B	51-150	.063	.063
	151-300	.094	.094
	301-600	.375	.500
Class C	51-150	.125	.250
	151-300	.250	.375
	301-600	.375	.500

*In Inches

Applications:

These rugged terminal blocks are widely used in such industries as traffic control, utilities, switchgear and other utility related applications, such as windpower.