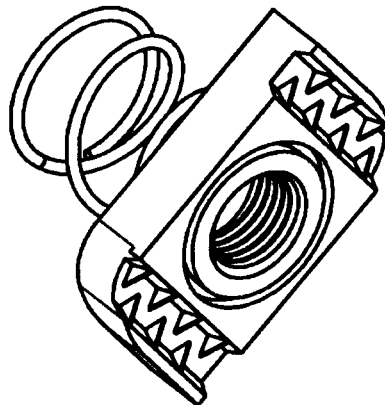
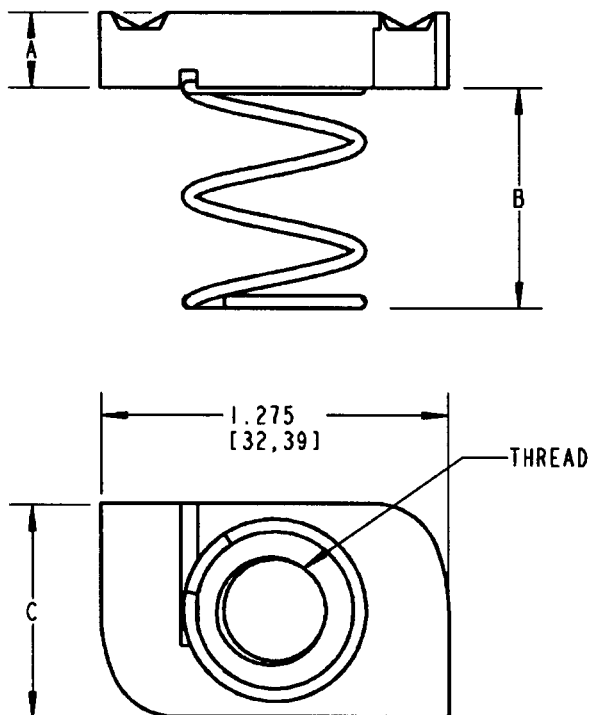


Kindorf



NOTES:

1. MATERIAL:
CHANNEL NUT: 316 STAINLESS STEEL
SPRING: 316 STAINLESS STEEL
2. ALL SPRINGS SHALL MECHANICALLY ATTACHED TO CHANNEL NUT

A100 5/16SS	5/16" UNIVERSAL SPRING NUT	.358 (9.1)	1.535 (39.0)	.785 (19.9)	5/16"-16 UNC
A100 1/2SS	1/2" UNIVERSAL SPRING NUT	.358 (9.1)	1.535 (39.0)	.785 (19.9)	1/2"-13 UNC
A100 3/8SS	3/8" UNIVERSAL SPRING NUT	.358 (9.1)	1.535 (39.0)	.785 (19.9)	3/8"-16 UNC
A100 1/4SS	1/4" UNIVERSAL SPRING NUT	.238 (6.1)	1.535 (39.0)	.785 (19.9)	1/4"-20 UNC
CAT #	DESCRIPTION	DIM "A"	DIM "B"	DIM "C"	THREAD

GENERAL NOTES

1. ALL DIMENSIONS ARE FOR REFERENCE ONLY.
2. DIMENSIONS IN BRACKETS [] ARE IN METRIC UNITS.

REVISIONS

- SEE ERN (****) FOR APPROVAL SIGNATURES & RELEASE DATE.
PROJECT NO: ****

Thomas & Betts
www.tnb.com

DESCRIPTION:

UNIVERSAL SPRING NUT, STAINLESS STEEL

ORIGINAL PROJECT NO / (ERN NO)

004V000457 / (2014482)

SHEET NO:

1 OF 1

REV. NO:

-

DRAWING NO:

WSD-001138