



NVENT CADDY ALL-IN-ONE FLOOR-MOUNTED WITH REMOVABLE MUD RING, 2 GANG, W/GROUND, 5/8" DRYWALL, 3 5/8"

CATALOG NUMBER

A1FF2G



CERTIFICATIONS



FEATURES

Preset to a finish height of 18" from the floor (adjustable to 12" or 15")

Removable mud ring provides front access to the interior of the box

Box remains fixed in place when mud ring is removed

Integrated first means of support accepts conduit or MC/AC cable

Accommodates additional nVent CADDY All-in-One box assemblies, support brackets and low-voltage mounting plates

Includes multiple 1/2" and 3/4" knockouts on each side of the box

PRODUCT ATTRIBUTES

Material: Steel

Finish: Pregalvanized

EMT Conduit Size: 1/2";3/4"

MC/AC Cable Size: 14-2 to 12-3

Knockout Sizes: (8) 1/2", 3/4";(3) 1/2"

Gang: 2

Ground Wire Included: Yes

Box Volume: 32.8in³

Drywall Thickness: 5/8"

Depth (D): 3 5/8"

A: 22 3/16"

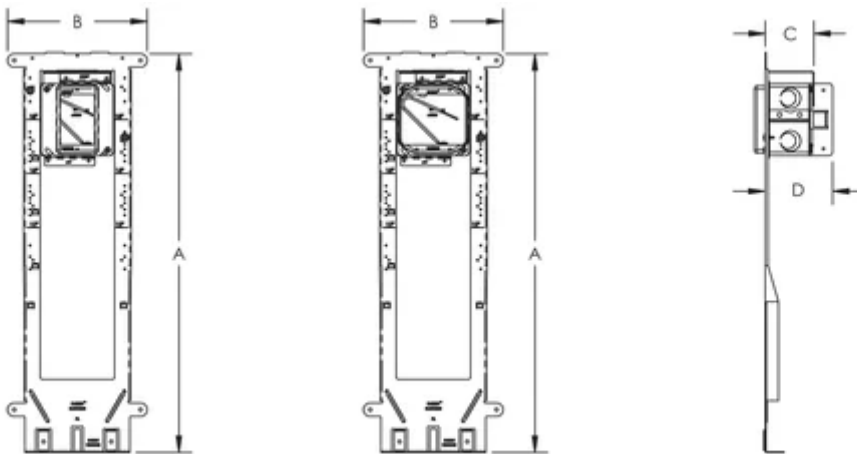
B: 7 3/4"

C: 2 11/16"

ADDITIONAL PRODUCT DETAILS

Ground wire pigtail is 10".

DIAGRAMS



WARNING

nVent products shall be installed and used only as indicated in nVent's product instruction sheets and training materials. Instruction sheets are available at www.nvent.com and from your nVent customer service representative. Improper installation, misuse, misapplication or other failure to completely follow nVent's instructions and warnings may cause product malfunction, property damage, serious bodily injury and death and/or void your warranty.

North America

+1.800.753.9221
Option 1 – Customer Care
Option 2 – Technical Support

Europe

Netherlands:
+31 800-0200135
France:
+33 800 901 793

Europe

Germany:
800 1890272
Other Countries:
+31 13 5835404

APAC

Shanghai:
+ 86 21 2412 1618/19
Sydney:
+61 2 9751 8500



Our powerful portfolio of brands:
nVent.com **CADDY ERICO HOFFMAN RAYCHEM SCHROFF**
TRACER