

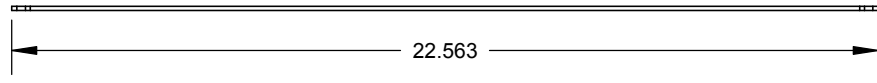
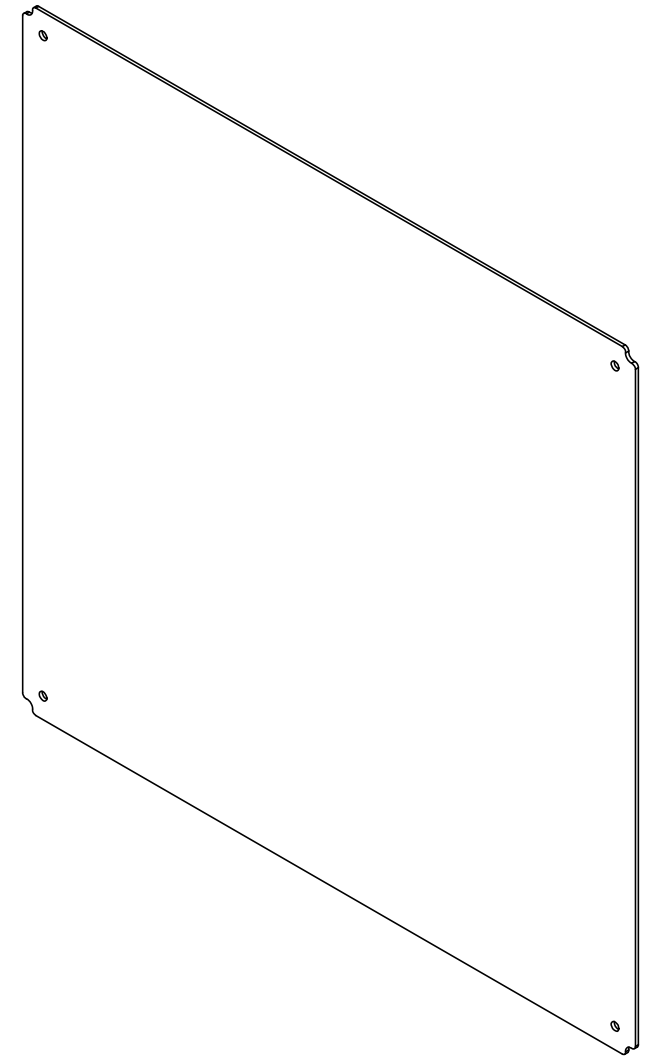
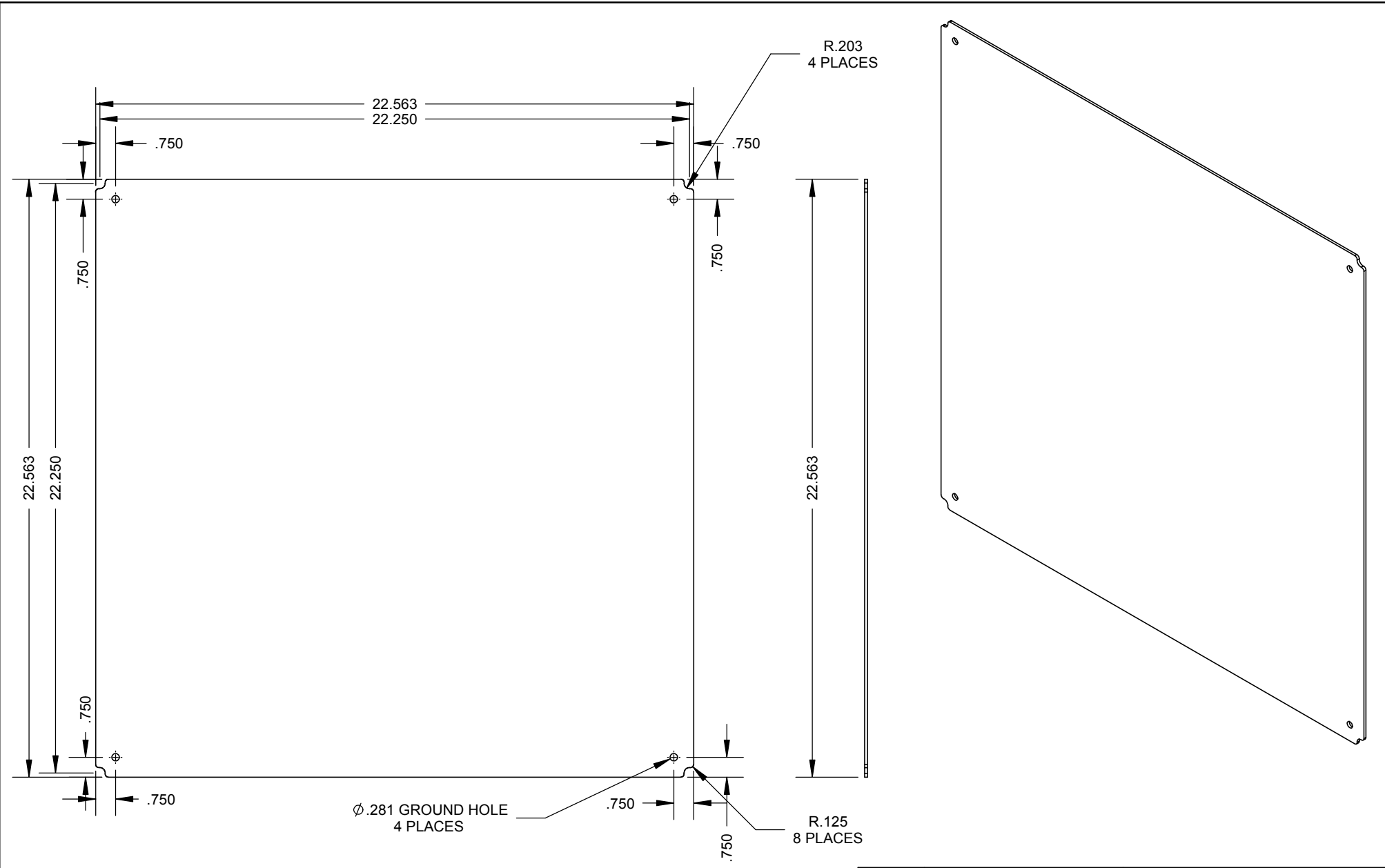



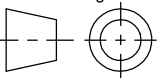
Catalog Number: A-2424SBP  
Item Description: STEEL PANELS  
UPC Code: 784572189126

Brand Name: Milbank  
Type: Panel for Mounting Electronic Controls  
Application: Enclosure Accessory  
Material: Steel  
Shape: Square  
Color: White  
Mounting: Stud Mount



*Utility requirements may vary. Always consult the serving utility for their requirements prior to ordering or installing this equipment. This product must always be installed by a licensed electrician. Installation of this equipment may require local electrical inspector approval.*



Material:	12 GA. GALV. STEEL		 <b>MILBANK</b> <small>ENERGY AT WORK</small>	General Offices: Kansas City, MO	
Finish:	PAINTED WHITE			Title:	BACK PANEL 24 x 24
Tolerances: Unless Specified Otherwise X.X ±.1 X.XX ±.03 X.XXX ±.015 X° ±2°			Third Angle  Projection	Catalog No.:	A-2424SBP
				Ref:	
			Drawing No.:	<b>1006528</b>	
Scale:	NTS	Checked By:	Date:	6/11/14	Sheet 1 of 1
Drawn By:	AJS	Approved By:			

**	6/11/14	FIRST RELEASE	AJS			
----	---------	---------------	-----	--	--	--

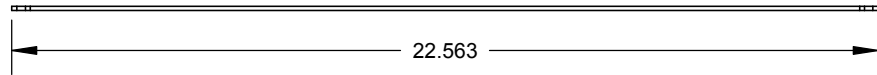
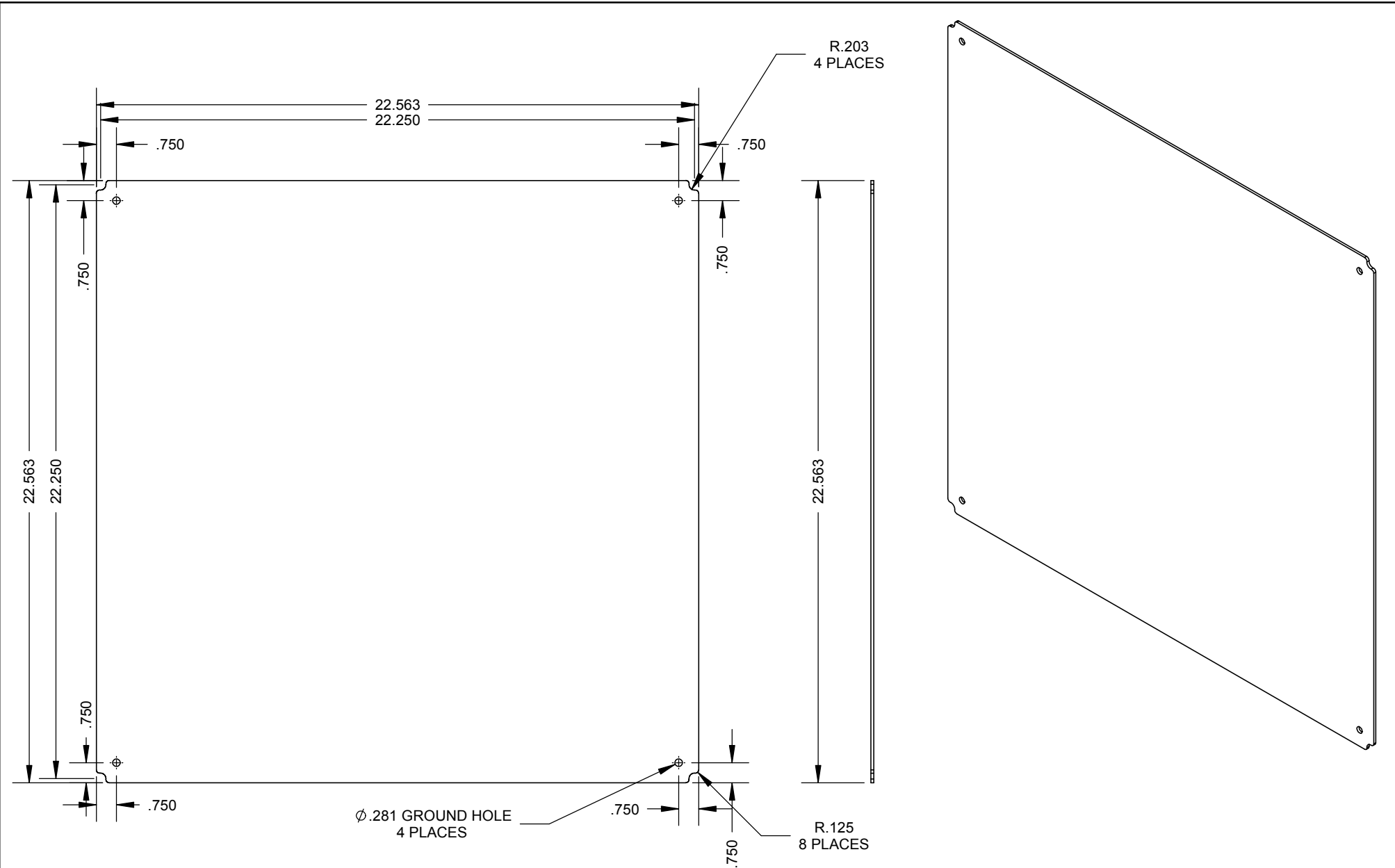



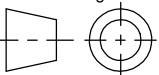
Catalog Number: A-2424SBP  
Item Description: STEEL PANELS  
UPC Code: 784572189126

Brand Name: Milbank  
Type: Panel for Mounting Electronic Controls  
Application: Enclosure Accessory  
Material: Steel  
Shape: Square  
Color: White  
Mounting: Stud Mount



*Utility requirements may vary. Always consult the serving utility for their requirements prior to ordering or installing this equipment. This product must always be installed by a licensed electrician. Installation of this equipment may require local electrical inspector approval.*



Material:	12 GA. GALV. STEEL		 <b>MILBANK</b> <small>ENERGY AT WORK</small>	General Offices: Kansas City, MO	
Finish:	PAINTED WHITE			Title:	BACK PANEL 24 x 24
Tolerances: Unless Specified Otherwise X.X ±.1 X.XX ±.03 X.XXX ±.015 X° ±2°			Third Angle  Projection	Catalog No.:	A-2424SBP
				Ref:	
			Drawing No.:	<b>1006528</b>	
Scale:	NTS	Checked By:	Date:	6/11/14	Sheet 1 of 1
Drawn By:	AJS	Approved By:			

**	6/11/14	FIRST RELEASE	AJS			
----	---------	---------------	-----	--	--	--