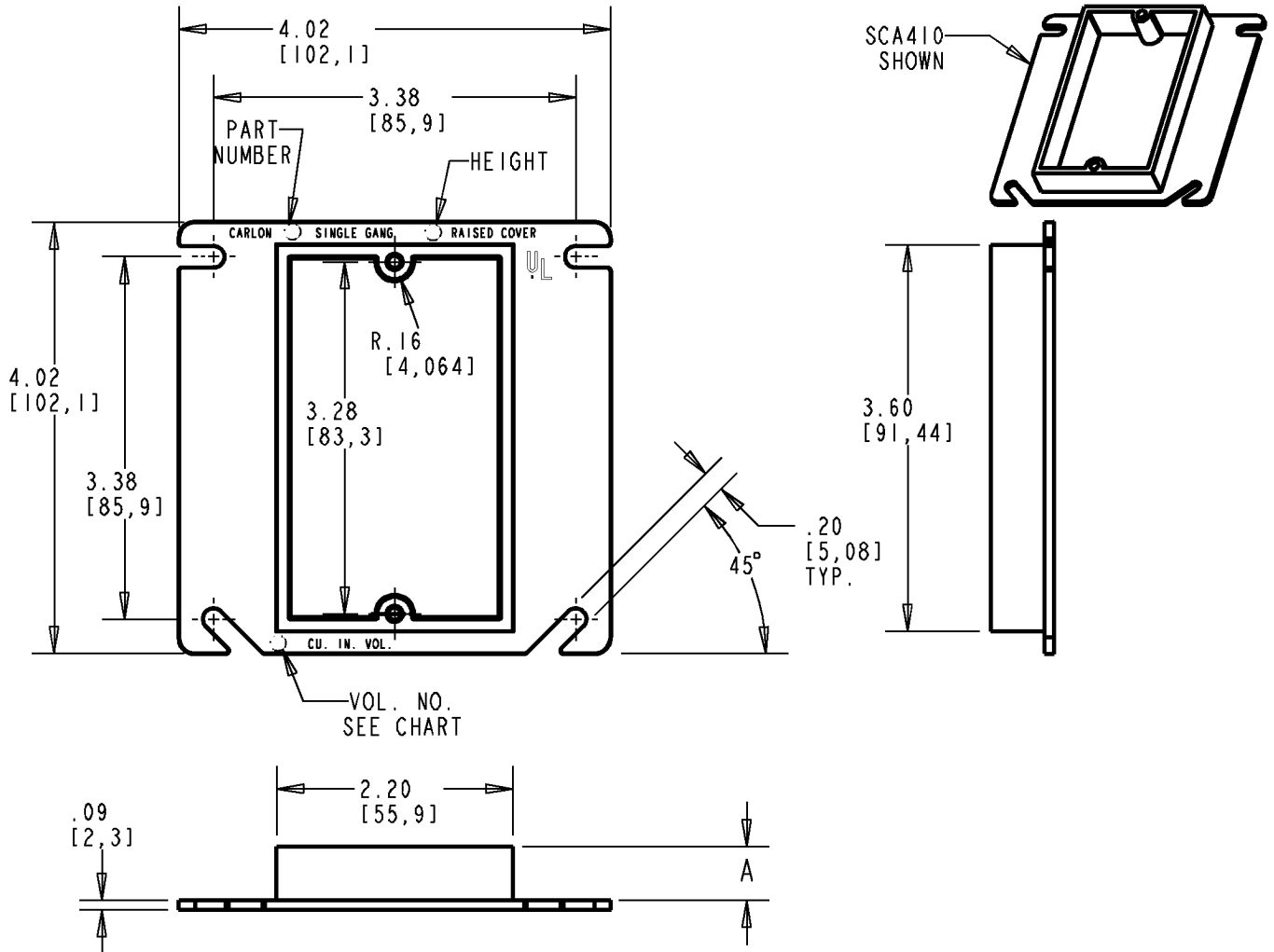


# Carlton®



PART NUMBER	DIM "A"	VOLUME (CU. IN.)	MATERIAL
A410 A410R-CAR	.50 [13]	3.5	PVC - BLUE
A411 A411RR	.63 [16]	4.2	
A412	.75 [19]	5.0	
A413 A413R-CAR	1.00 [25]	6.6	
A414	1.25 [32]	8.1	
SCA410	.50 [13]	3.5	PVC - ORANGE

### GENERAL NOTES

- ALL DIMENSIONS ARE FOR REFERENCE ONLY.
- DIMENSIONS IN BRACKETS [ ] ARE IN METRIC UNITS.

### REVISIONS

\*\*\* SEE ERN (\*\*\*\*) FOR APPROVAL SIGNATURES & RELEASE DATE.  
PROJECT NO: \*\*\*\*

**Thomas & Betts**  
www.tnb.com

DESCRIPTION: **1 GANG RAISED 4" SQ. COVER**

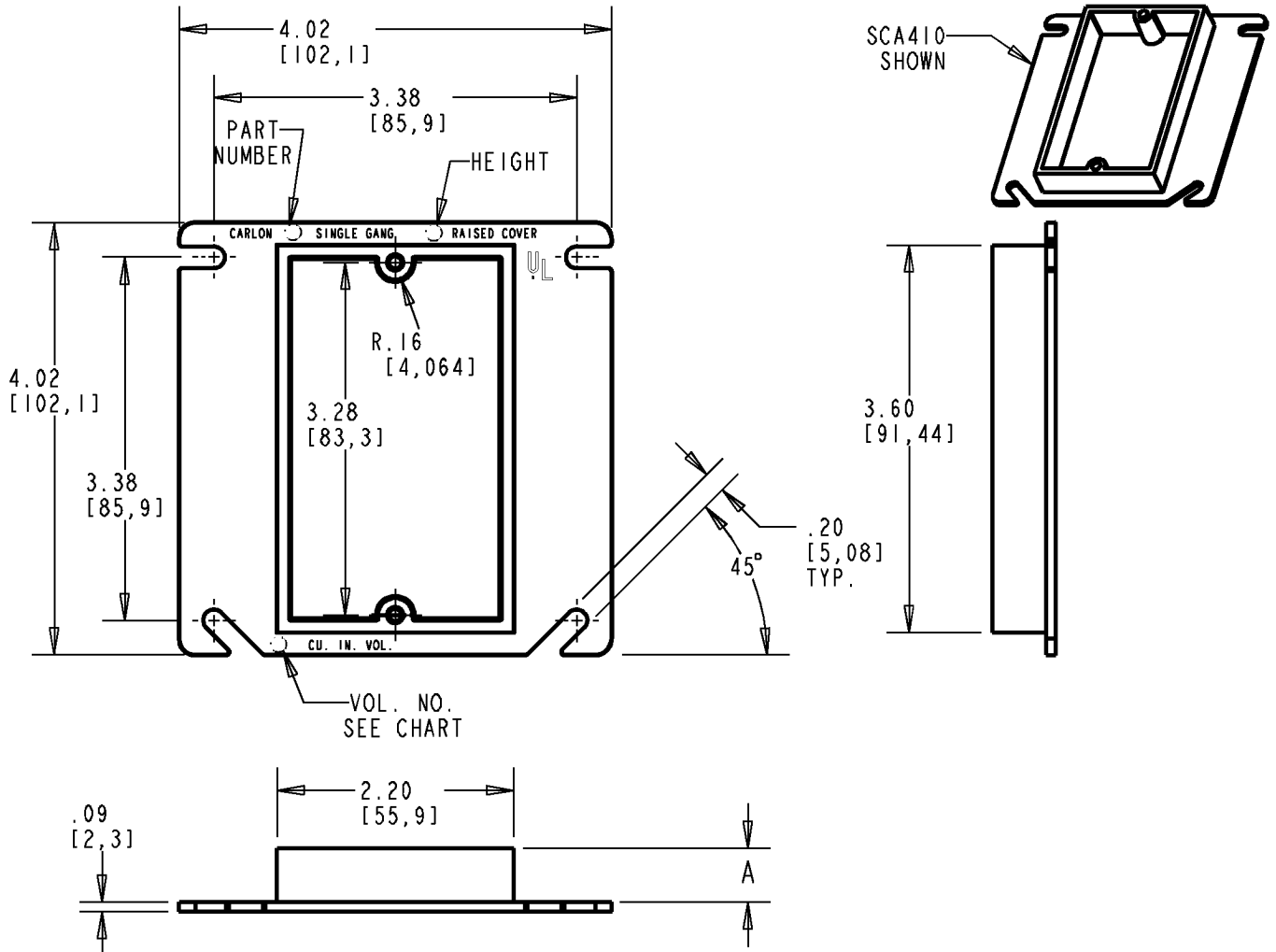
ORIGINAL PROJECT NO / ( ERN NO )  
/ ( )

SHEET NO:  
1 OF 1

REV. NO:  
A

DRAWING NO:  
WSD-AC04868

# Carlton®



PART NUMBER	DIM "A"	VOLUME (CU. IN.)	MATERIAL
A410 A410R-CAR	.50 [13]	3.5	PVC - BLUE
A411 A411RR	.63 [16]	4.2	
A412	.75 [19]	5.0	
A413 A413R-CAR	1.00 [25]	6.6	
A414	1.25 [32]	8.1	
SCA410	.50 [13]	3.5	PVC - ORANGE

### GENERAL NOTES

- ALL DIMENSIONS ARE FOR REFERENCE ONLY.
- DIMENSIONS IN BRACKETS [ ] ARE IN METRIC UNITS.

### REVISIONS

\*\*\* SEE ERN (\*\*\*\*) FOR APPROVAL SIGNATURES & RELEASE DATE.  
PROJECT NO: \*\*\*\*

**Thomas & Betts**  
www.tnb.com

DESCRIPTION: **1 GANG RAISED 4" SQ. COVER**

ORIGINAL PROJECT NO / ( ERN NO )

/ ( )

SHEET NO:

1 OF 1

REV. NO:

A

DRAWING NO:

WSD-AC04868