

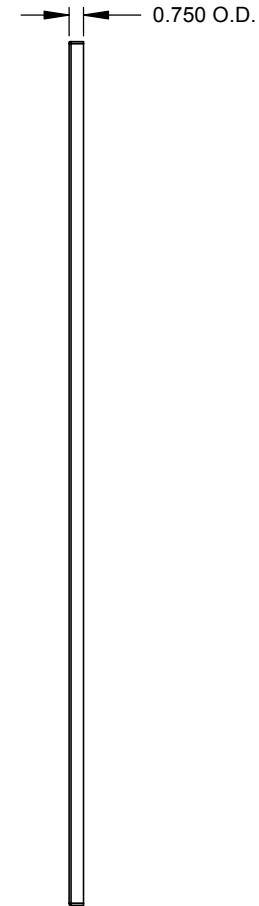
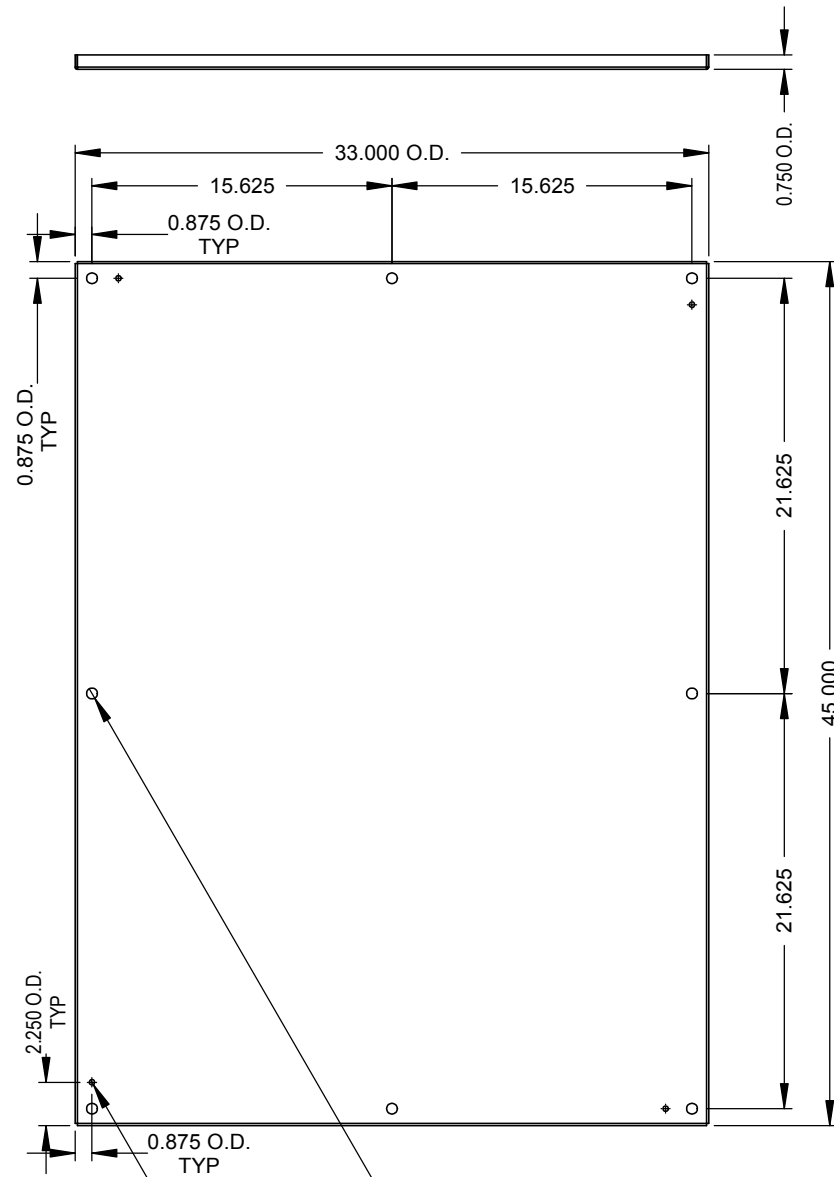


Catalog Number: A-48P36
Item Description: STEEL PANELS
UPC Code: 784572183155

Brand Name: Milbank
Type: Panel for Mounting Electronic Controls
Application: Enclosure Accessory
Material: Steel
Shape: Rectangle
Color: White
Mounting: Stud Mount


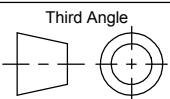


Utility requirements may vary. Always consult the serving utility for their requirements prior to ordering or installing this equipment. This product must always be installed by a licensed electrician. Installation of this equipment may require local electrical inspector approval.

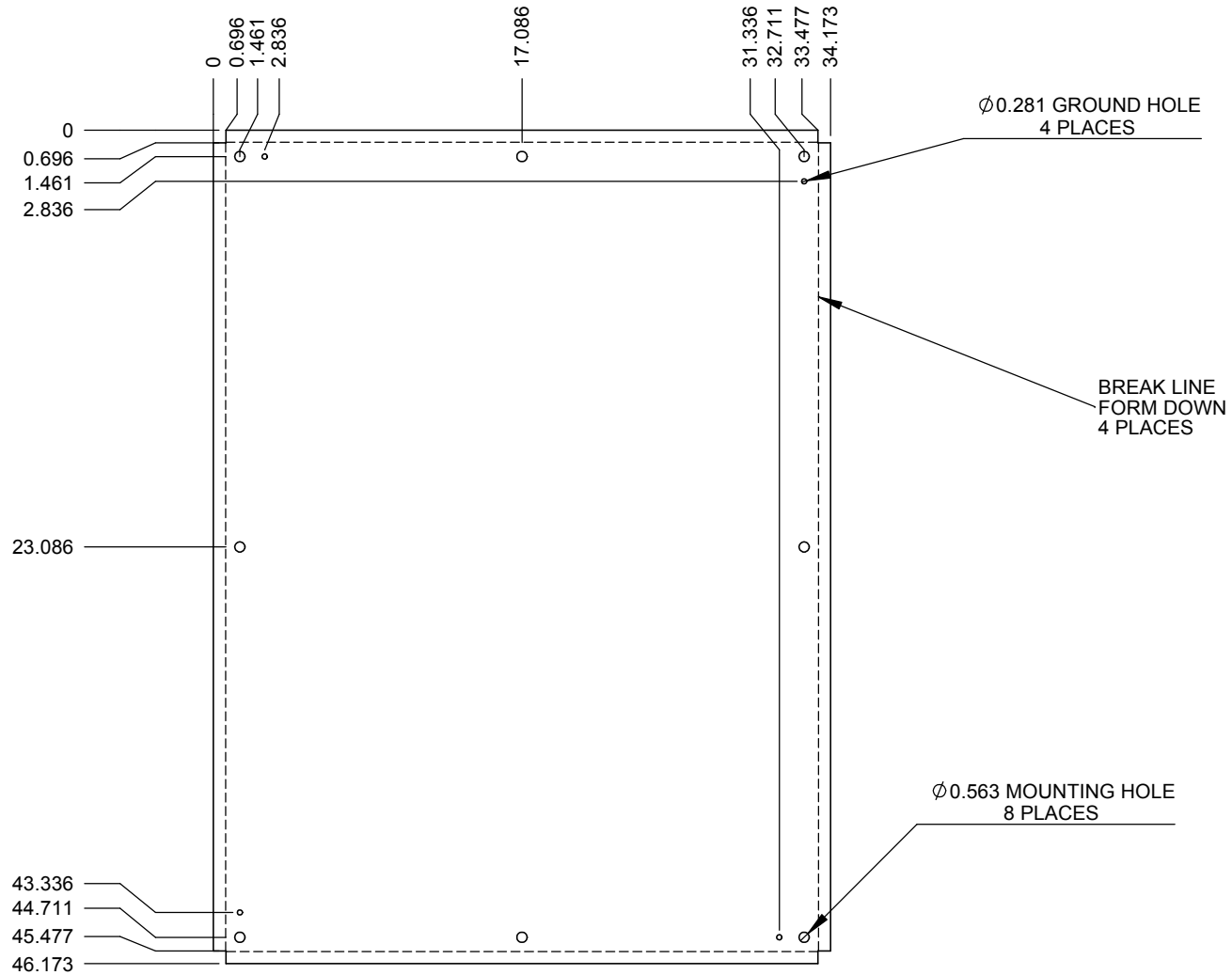



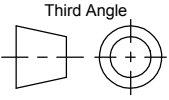
$\phi 0.563$ MOUNTING HOLE
8 PLACES

$\phi 0.281$ GROUND HOLE
4 PLACES

Material:	12 GA.	 MILBANK <small>ENERGY AT WORK</small>	General Offices: Kansas City, MO	
Finish:	PAINTED WHITE		Title:	PANEL 48 x 36 - ENCLOSURE
Tolerances: Unless Specified Otherwise X.X ±.1 X.XX ±.03 X.XXX ±.015 X° ±2°		Catalog No.:	A-48P36	
Third Angle  Projection		Ref:		
Scale:	NTS	Checked By:		
Drawn By:	AJS	Approved By:		
		Drawing No.:	1012357	
		Date:	5/21/14	
		Sheet	1 of 2	

**	5/21/14	FIRST RELEASE	AJS			
----	---------	---------------	-----	--	--	--



Material:	12 GA.	 MILBANK General Offices: Kansas City, MO
Finish:	PAINTED WHITE	
Tolerances: Unless Specified Otherwise X.X ±.1 X.XX ±.03 X.XXX ±.015 X* ±2°		Title:
Third Angle  Projection		Catalog No.:
Scale:		Ref:
Drawn By:		Drawing No.:
Checked By:	Approved By:	Date:

**	5/21/14	FIRST RELEASE	AJS																

1012357

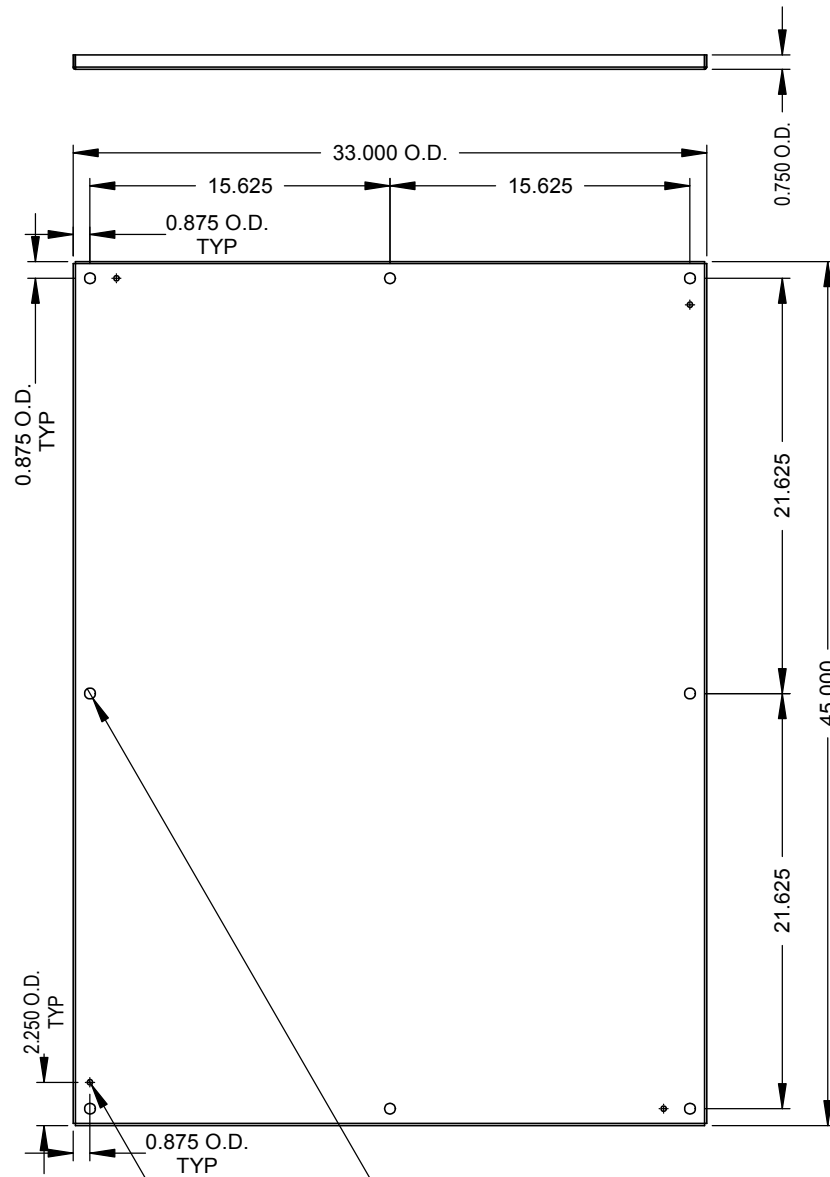


Catalog Number: A-48P36
Item Description: STEEL PANELS
UPC Code: 784572183155

Brand Name: Milbank
Type: Panel for Mounting Electronic Controls
Application: Enclosure Accessory
Material: Steel
Shape: Rectangle
Color: White
Mounting: Stud Mount


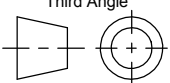


Utility requirements may vary. Always consult the serving utility for their requirements prior to ordering or installing this equipment. This product must always be installed by a licensed electrician. Installation of this equipment may require local electrical inspector approval.

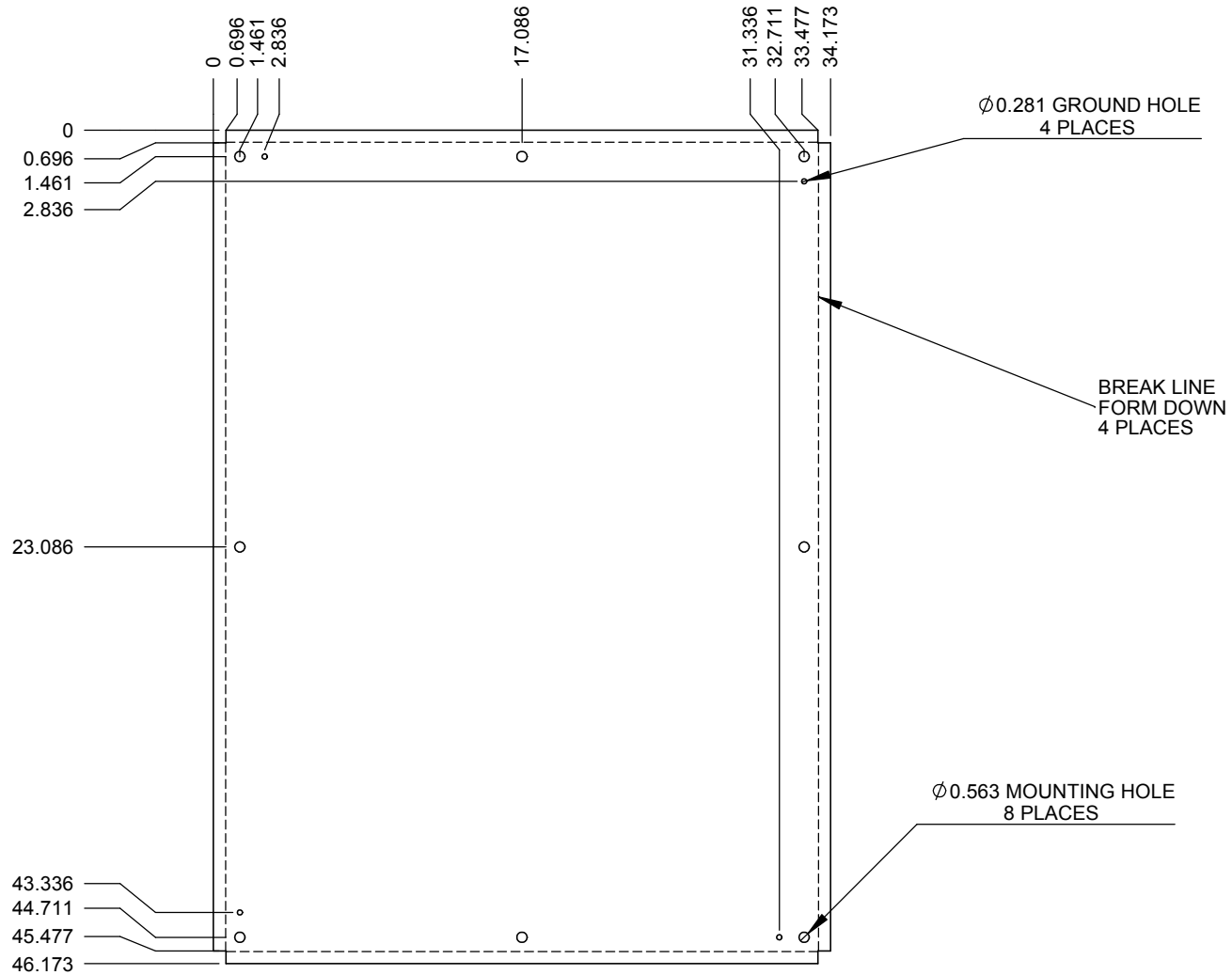



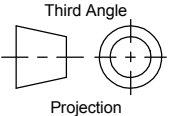
$\phi 0.563$ MOUNTING HOLE
8 PLACES

$\phi 0.281$ GROUND HOLE
4 PLACES

Material:	12 GA.	 MILBANK ENERGY AT WORK General Offices: Kansas City, MO	Title:	PANEL 48 x 36 - ENCLOSURE	
Finish:	PAINTED WHITE		Catalog No.:	A-48P36	
Tolerances: Unless Specified Otherwise X.X ±.1 X.XX ±.03 X.XXX ±.015 X° ±2°		Third Angle  Projection	Ref:		
Scale:	NTS		Checked By:		
Drawn By:	AJS	Approved By:		Drawing No.:	1012357
			Date:	5/21/14	
			Sheet	1 of 2	

**	5/21/14	FIRST RELEASE	AJS			
----	---------	---------------	-----	--	--	--



Material:	12 GA.	 MILBANK General Offices: Kansas City, MO	
Finish:	PAINTED WHITE		
Tolerances: Unless Specified Otherwise X.X ±.1 X.XX ±.03 X.XXX ±.015 X* ±2°		Title:	PANEL 48 x 36 - ENCLOSURE
 Third Angle Projection		Catalog No.:	A-48P36
Scale:		Checked By:	Drawing No.:
Drawn By:		Approved By:	Date:

**	5/21/14	FIRST RELEASE	AJS			
----	---------	---------------	-----	--	--	--

1012357