

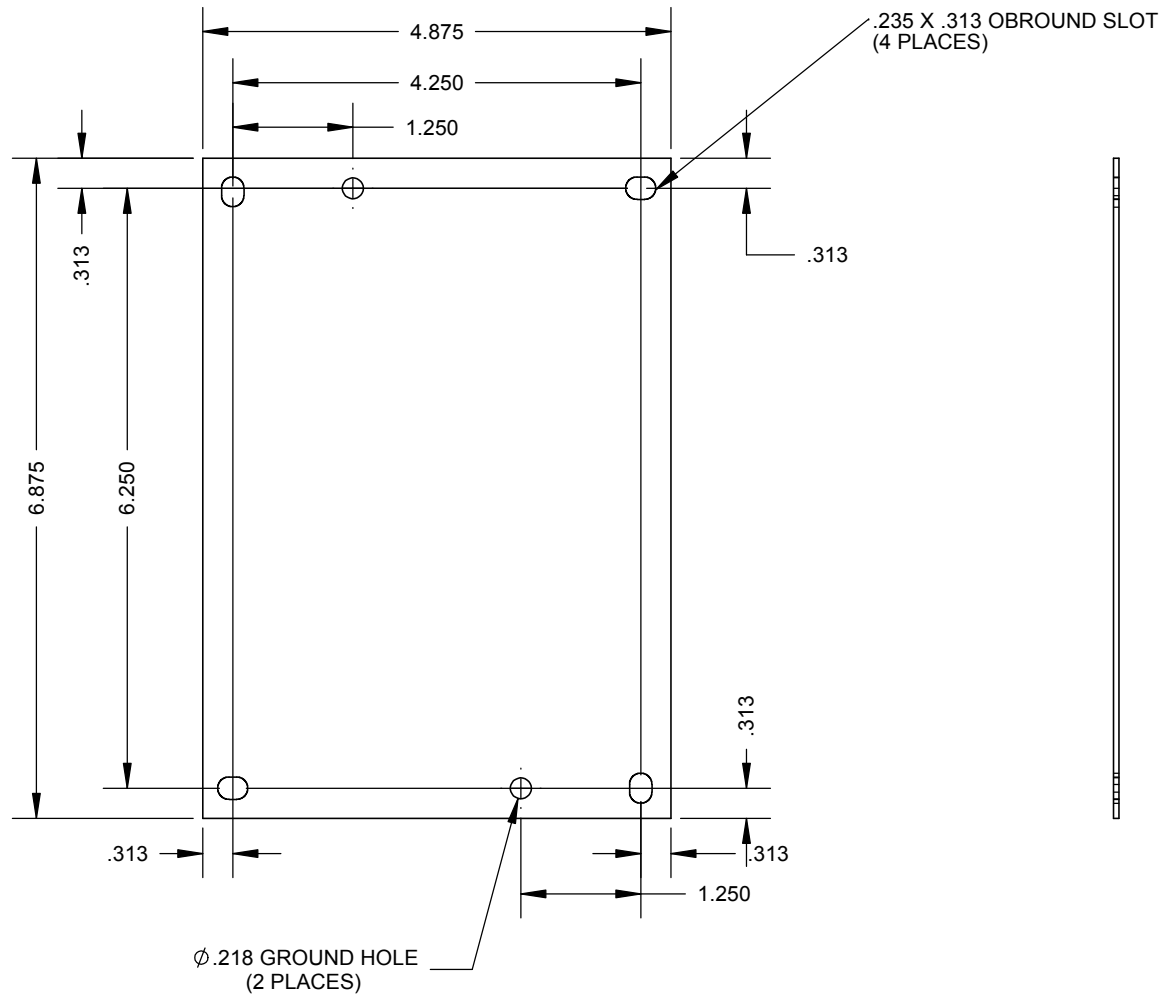



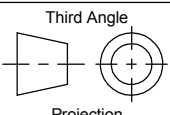
Catalog Number: A-86SBP  
Item Description: STEEL PANELS  
UPC Code: 784572174115

Brand Name: Milbank  
Type: Panel for Mounting Electronic Controls  
Application: Enclosure Accessory  
Material: Steel  
Shape: Rectangle  
Color: White  
Mounting: Stud Mount



*Utility requirements may vary. Always consult the serving utility for their requirements prior to ordering or installing this equipment. This product must always be installed by a licensed electrician. Installation of this equipment may require local electrical inspector approval.*



Material:	16 GA. GALV.	 <b>MILBANK</b> General Offices: Kansas City, MO <small>ENERGY AT WORK</small>	Title:	BACK PANEL 8 X 6 ENCLOSURE	
Finish:	PAINTED WHITE		Catalog No.:		
Tolerances: Unless Specified Otherwise X.X ±.1 X.XX ±.03 X.XXX ±.015 X° ±2°		 Third Angle Projection	Ref:	eECR2819	
Scale:	NTS		Checked By:		
Drawn By:	AJS	Approved By:		Drawing No.:	<b>1012360</b>
			Date:	7/29/14	
			Sheet	1 of 1	

**	7/29/14	FIRST RELEASE	AJS			
----	---------	---------------	-----	--	--	--