

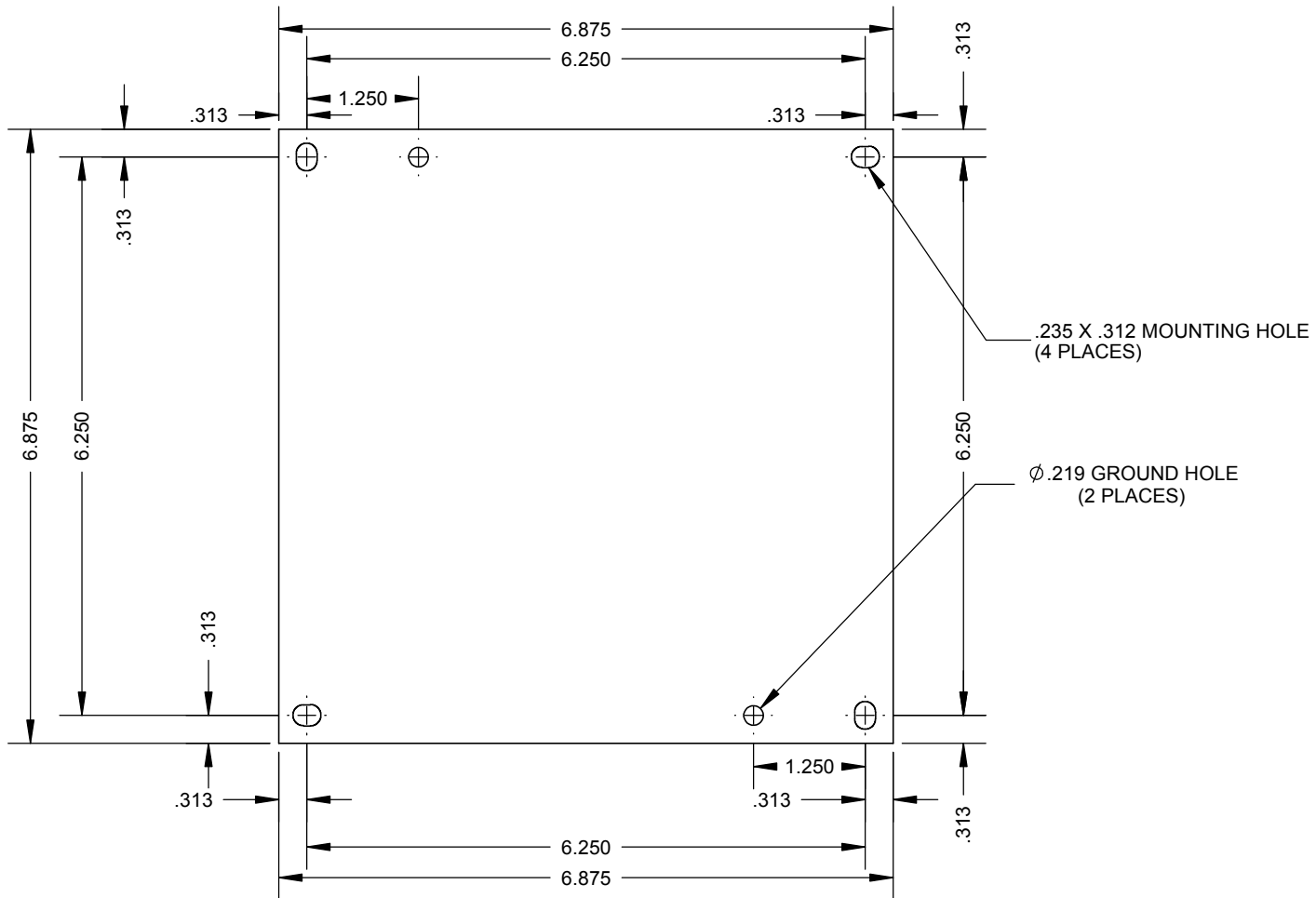



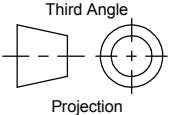
Catalog Number: A-88SBP  
Item Description: STEEL PANELS  
UPC Code: 784572174108

Brand Name: Milbank  
Type: Panel for Mounting Electronic Controls  
Application: Enclosure Accessory  
Material: Steel  
Shape: Square  
Color: White  
Mounting: Stud Mount



*Utility requirements may vary. Always consult the serving utility for their requirements prior to ordering or installing this equipment. This product must always be installed by a licensed electrician. Installation of this equipment may require local electrical inspector approval.*



Material:	16 GA. GALV.	 <b>MILBANK</b> <small>ENERGY AT WORK</small>	General Offices: Kansas City, MO		
Finish:	PAINTED WHITE		Title:	BACK PANEL 8 X 8 ENCLOSURE	
Tolerances: Unless Specified Otherwise X.X ±.1 X.XX ±.03 X.XXX ±.015 X° ±2°		 Third Angle Projection		Catalog No.:	A-88SBP
Scale:	NTS	Checked By:		Ref:	eECR2819
Drawn By:	AJS	Approved By:		Drawing No.:	<b>1012361</b>
		Date:	08/05/14	Sheet	1 of 1

**	08/05/14	FIRST RELEASE	AJS			
----	----------	---------------	-----	--	--	--

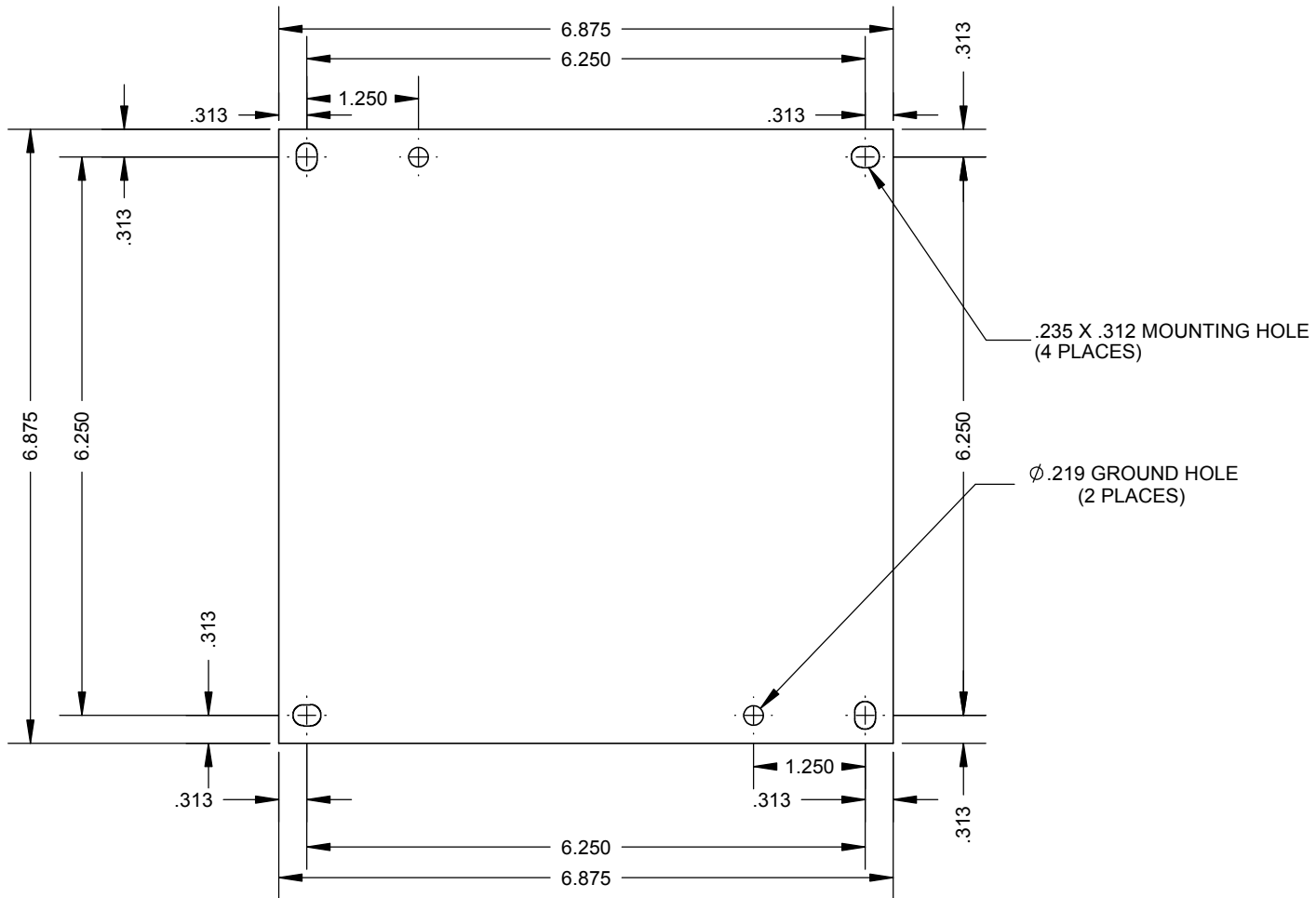



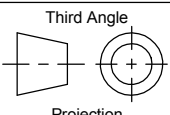
Catalog Number: A-88SBP  
Item Description: STEEL PANELS  
UPC Code: 784572174108

Brand Name: Milbank  
Type: Panel for Mounting Electronic Controls  
Application: Enclosure Accessory  
Material: Steel  
Shape: Square  
Color: White  
Mounting: Stud Mount



*Utility requirements may vary. Always consult the serving utility for their requirements prior to ordering or installing this equipment. This product must always be installed by a licensed electrician. Installation of this equipment may require local electrical inspector approval.*



Material:	16 GA. GALV.	 <b>MILBANK</b> <small>ENERGY AT WORK</small>	General Offices: Kansas City, MO	
Finish:	PAINTED WHITE		Title:	BACK PANEL 8 X 8 ENCLOSURE
Tolerances: Unless Specified Otherwise X.X ±.1 X.XX ±.03 X.XXX ±.015 X° ±2°		Catalog No.:	A-88SBP	
 Third Angle Projection		Ref:	eECR2819	
Scale: NTS		Checked By:	Drawing No.:	
Drawn By: AJS	Approved By:	Date:	<b>1012361</b>	
		08/05/14 Sheet 1 of 1		

**	08/05/14	FIRST RELEASE	AJS			
----	----------	---------------	-----	--	--	--