

# Powertite® Series Pin and Sleeve Plugs, Connectors and Receptacles

## Applications

- Designed to supply power to portable or fixed electrical equipment such as motor generator units, welders, pumps, compressors, cellular relay stations, and similar apparatus.
- Ideal for use on shipping docks, ports, and other “ship to shore” applications.
- Suitable for use in locations where a weatherproof enclosure is required.
- Rough usage construction.

## Features

- Available in 30, 60, 100, 150, 200, and 400 Amp units.
- Available in two grounding styles: Style 1 (shell only) and Style 2 (shell and extra pole).
- Neoprene bushing compressed by cable collar prevents entrance of water. Bushing is highly resistant to hydrocarbon deterioration and is self-extinguishing.
- Locking screw and slot prevents plug cable collar from “backing off.”
- Contacts exert constant pressure along entire contact surface and provide electrical continuity.
- Suitable for use from -40 °F/-40 °C to 225 °F/107 °C.
- Insulating blocks provide greatest dielectric and mechanical strength and lowest arc tracking.
- Positive polarization: only plugs and receptacles of same style, number of poles and ampere rating can be used together.
- Circuit breaking: in 30, 60, 100, and 200 Amp units, any arcing created as line and load terminals disengage is safely confined deep within terminal cavities. Plugs may be withdrawn in an emergency under full rated loads without separate disconnect switches (400 Amp plug is for disconnecting use only; not for current rupturing).
- 30, 60, 100, and 150 Amp Powertite® plugs also suitable for classified locations when used with Appleton EBR, EBRH, JBR, MD2SR, or DBR explosion-proof interlocking receptacles.
- Controlled length contacts ensure that ground makes first and breaks last for added safety.

## Standard Materials

- Plug, receptacle, connector and mounting box housings: copperfree (4/10 of 1% max.) aluminum
- Insulating blocks: glass filled polyester

## Standard Finishes

- Aluminum plug, receptacle, connector and mounting box housings: epoxy powder coat
- Insulating blocks and contacts: natural finish

## Options

- See Illustrated Options

## Certifications and Compliances

- UL Standard: UL 1682, UL 1686, UL 50E
- UL Listed: E145916, E145917
- CSA Standard: C22.2 No. 182.1
- CSA Certified: 065179
- NEMA 4X (30, 60, 100, 150, and 200 Amp)
- NEMA Configuration: FB11

## Related Products

- For classified location plugs and receptacles, see *Plugs and Receptacles: Hazardous Location*.



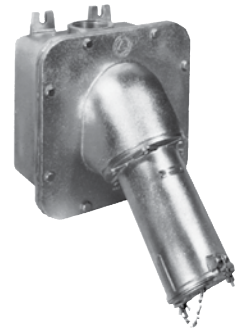
30 and 60 Amp



100 and 150 Amp



200 Amp



400 Amp

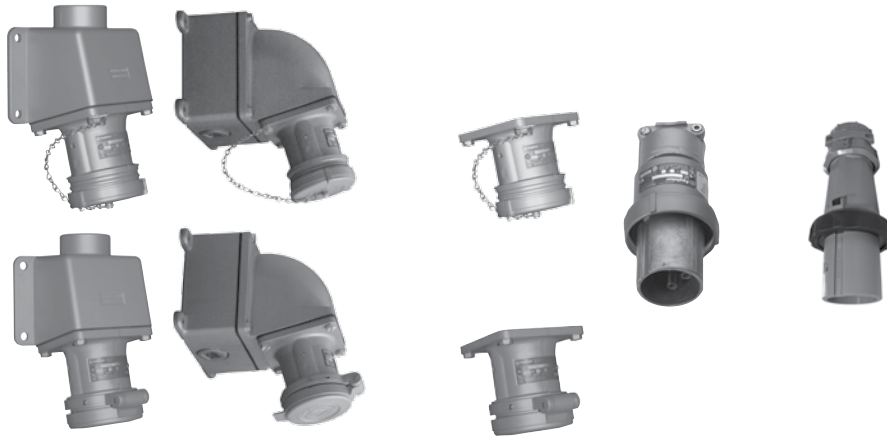
Classified by UL and Certified by CSA for use in specific combinations with Crouse-Hinds Arktime. Arktime is a registered trademark of Cooper Crouse-Hinds.

# Powertite® 60 Amp Pin and Sleeve Plugs and Receptacles

600 Vac, 250 Vdc, 50-400 Hz

Pressure Wire Terminals – Wire Recess Diameter: .312". Wire Size Range: #6—#2 Building; #6—#4 Extra Flex.

NEMA 3, 3R, 4, 4X



Plugs and Receptacles

PLUGS AND RECEPTACLES: ORDINARY LOCATION

| Grounding Style                   | Wire/Pole | Receptacle with AEE Mounting Box * | Receptacle with AJA Mounting Box * | Hub Size (Inches) | Receptacle Only † | Metallic Clamping Ring Plug ‡ | Nonmetallic Clamping Ring Plug ‡ | Plug Cable Dia. (Inches) |
|-----------------------------------|-----------|------------------------------------|------------------------------------|-------------------|-------------------|-------------------------------|----------------------------------|--------------------------|
| Style 1<br>(Shell Only)           | 2W, 2P    | ADRE6022-100                       | ADJA6022-100                       | 1                 | ADR6022           | ACP6022BC                     | —                                | .500 to 1.250            |
|                                   |           | ADRE6022-125                       | ADJA6022-125                       | 1-1/4             |                   |                               |                                  |                          |
|                                   | 3W, 3P    | ADRE6033-100                       | ADJA6033-100                       | 1                 | ADR6033           | ACP6033BC                     | —                                | .500 to 1.250            |
|                                   |           | ADRE6033-125                       | ADJA6033-125                       | 1-1/4             |                   |                               |                                  |                          |
|                                   | 4W, 4P    | ADRE6044-125                       | ADJA6044-125                       | 1-1/4             | ADR6044           | ACP6044BC                     | —                                | .500 to 1.250            |
|                                   |           | ADRE6044-150                       | ADJA6044-150                       | 1-1/2             |                   |                               |                                  |                          |
| Style 2<br>(Shell and Extra Pole) | 2W, 3P    | ADRE6023-100                       | ADJA6023-100                       | 1                 | ADR6023           | ACP6023BC                     | —                                | .500 to 1.250            |
|                                   |           | ADRE6023-125                       | ADJA6023-125                       | 1-1/4             |                   |                               |                                  |                          |
|                                   | 3W, 4P    | ADRE6034-125                       | ADJA6034-125                       | 1-1/4             | ADR6034           | ACP6034BC                     | NMACP6034BC                      | .500 to 1.250            |
|                                   |           | ADRE6034-150                       | ADJA6034-150                       | 1-1/2             |                   |                               |                                  |                          |

Receptacles are provided with spring door and screw cap.  
For Reverse Service, add suffix **-RS** to Catalog Number.  
For Special Polarization, add suffix **-P4** to Catalog Number.

## Horsepower Ratings for Emergency Disconnect Under Load

Plug may be withdrawn in an emergency if within these maximum HP ratings. Not for normal starting and stopping.

| Phase Motor | Wire/Pole                 | 120 Vac | 240 Vac | 480 Vac | 600 Vac |
|-------------|---------------------------|---------|---------|---------|---------|
| 1-Phase     | 2W, 2P or 2W, 3P          | 3HP     | 10HP    | 20HP    | 20HP    |
| 3-Phase     | 3W, 3P; 3W, 4P; or 4W, 4P | 7-1/2HP | 15HP    | 30HP    | 30HP    |

\* For additional mounting boxes, see Aluminum Mounting Boxes.

‡ Plug and receptacle combination is NEMA 4X rated when clamping ring is fully tightened on receptacle.

† Receptacle is NEMA 4X rated when screw cap is closed when the receptacle is not in use.

# Powertite® 60 Amp Pin and Sleeve Connectors and Plugs

600 Vac, 250 Vdc, 50-400 Hz

Pressure Wire Terminals – Wire Recess Diameter: .312". Wire Size Range: #6—#2 Building; #6—#4 Extra Flex.

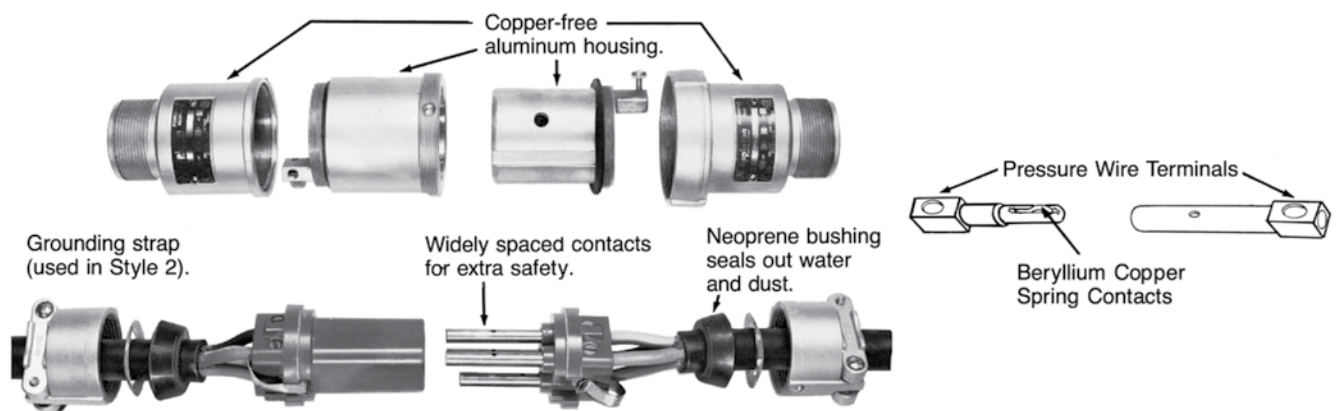
NEMA 3, 3R, 4, 4X



| Grounding Style                   | Wire/Pole | Connector Body Only | Metallic Clamping Ring Plug ‡ | Connector/Plug Cable Dia. (Inches) |
|-----------------------------------|-----------|---------------------|-------------------------------|------------------------------------|
| Style 1<br>(Shell Only)           | 2W, 2P    | ARC6022BC           | ACP6022BC                     | .500 to 1.250                      |
|                                   | 3W, 3P    | ARC6033BC           | ACP6033BC                     | .500 to 1.250                      |
|                                   | 4W, 4P    | ARC6044BC           | ACP6044BC                     | .500 to 1.250                      |
| Style 2<br>(Shell and Extra Pole) | 2W, 3P    | ARC6023BC           | ACP6023BC                     | .500 to 1.250                      |
|                                   | 3W, 4P    | ARC6034BC           | ACP6034BC                     | .500 to 1.250                      |

For Reverse Service, add suffix **-RS** to Catalog Number.  
For Special Polarization, add suffix **-P4** to Catalog Number.

## Pin and Sleeve Design



**Energized contacts** deeply recessed to reduce danger of accidental touching, minimize possibility of exposed arcs. Insulator quenches arcing, and is resistant to abnormal heat and to fire.

**Plug mechanical cable clamps** provide strain relief at conductor connections, allow easy cable replacement.

**Pressure wire terminals** allow cable to be readily replaced when necessary. Terminal screws grip conductors firmly. Spring contacts provide constant pressure.

‡ Plug and connector body combination is NEMA 4X rated when clamping ring is fully tightened on connector body.

# Powertite® Series Pin and Sleeve Plugs, Connectors and Receptacles

## Applications

- Designed to supply power to portable or fixed electrical equipment such as motor generator units, welders, pumps, compressors, cellular relay stations, and similar apparatus.
- Ideal for use on shipping docks, ports, and other “ship to shore” applications.
- Suitable for use in locations where a weatherproof enclosure is required.
- Rough usage construction.

## Features

- Available in 30, 60, 100, 150, 200, and 400 Amp units.
- Available in two grounding styles: Style 1 (shell only) and Style 2 (shell and extra pole).
- Neoprene bushing compressed by cable collar prevents entrance of water. Bushing is highly resistant to hydrocarbon deterioration and is self-extinguishing.
- Locking screw and slot prevents plug cable collar from “backing off.”
- Contacts exert constant pressure along entire contact surface and provide electrical continuity.
- Suitable for use from -40 °F/-40 °C to 225 °F/107 °C.
- Insulating blocks provide greatest dielectric and mechanical strength and lowest arc tracking.
- Positive polarization: only plugs and receptacles of same style, number of poles and ampere rating can be used together.
- Circuit breaking: in 30, 60, 100, and 200 Amp units, any arcing created as line and load terminals disengage is safely confined deep within terminal cavities. Plugs may be withdrawn in an emergency under full rated loads without separate disconnect switches (400 Amp plug is for disconnecting use only; not for current rupturing).
- 30, 60, 100, and 150 Amp Powertite® plugs also suitable for classified locations when used with Appleton EBR, EBRH, JBR, MD2SR, or DBR explosion-proof interlocking receptacles.
- Controlled length contacts ensure that ground makes first and breaks last for added safety.

## Standard Materials

- Plug, receptacle, connector and mounting box housings: copperfree (4/10 of 1% max.) aluminum
- Insulating blocks: glass filled polyester

## Standard Finishes

- Aluminum plug, receptacle, connector and mounting box housings: epoxy powder coat
- Insulating blocks and contacts: natural finish

## Options

- See Illustrated Options

## Certifications and Compliances

- UL Standard: UL 1682, UL 1686, UL 50E
- UL Listed: E145916, E145917
- CSA Standard: C22.2 No. 182.1
- CSA Certified: 065179
- NEMA 4X (30, 60, 100, 150, and 200 Amp)
- NEMA Configuration: FB11

## Related Products

- For classified location plugs and receptacles, see *Plugs and Receptacles: Hazardous Location*.



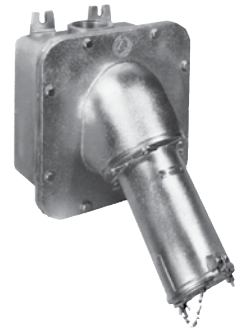
30 and 60 Amp



100 and 150 Amp



200 Amp



400 Amp

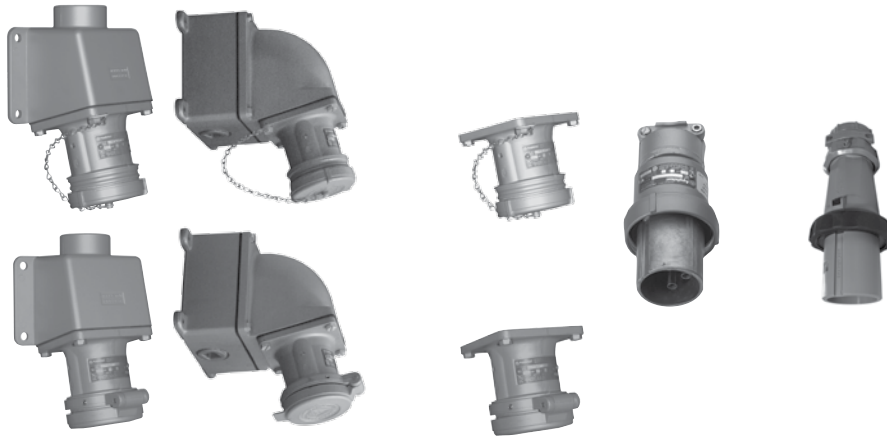
Classified by UL and Certified by CSA for use in specific combinations with Crouse-Hinds Arktime. Arktime is a registered trademark of Cooper Crouse-Hinds.

# Powertite® 60 Amp Pin and Sleeve Plugs and Receptacles

600 Vac, 250 Vdc, 50-400 Hz

Pressure Wire Terminals – Wire Recess Diameter: .312". Wire Size Range: #6—#2 Building; #6—#4 Extra Flex.

NEMA 3, 3R, 4, 4X



Plugs and Receptacles

PLUGS AND RECEPTACLES: ORDINARY LOCATION

| Grounding Style                   | Wire/Pole | Receptacle with AEE Mounting Box * | Receptacle with AJA Mounting Box * | Hub Size (Inches) | Receptacle Only † | Metallic Clamping Ring Plug ‡ | Nonmetallic Clamping Ring Plug ‡ | Plug Cable Dia. (Inches) |
|-----------------------------------|-----------|------------------------------------|------------------------------------|-------------------|-------------------|-------------------------------|----------------------------------|--------------------------|
| Style 1<br>(Shell Only)           | 2W, 2P    | ADRE6022-100                       | ADJA6022-100                       | 1                 | ADR6022           | ACP6022BC                     | —                                | .500 to 1.250            |
|                                   |           | ADRE6022-125                       | ADJA6022-125                       | 1-1/4             |                   |                               |                                  |                          |
|                                   | 3W, 3P    | ADRE6033-100                       | ADJA6033-100                       | 1                 | ADR6033           | ACP6033BC                     | —                                | .500 to 1.250            |
|                                   |           | ADRE6033-125                       | ADJA6033-125                       | 1-1/4             |                   |                               |                                  |                          |
|                                   | 4W, 4P    | ADRE6044-125                       | ADJA6044-125                       | 1-1/4             | ADR6044           | ACP6044BC                     | —                                | .500 to 1.250            |
|                                   |           | ADRE6044-150                       | ADJA6044-150                       | 1-1/2             |                   |                               |                                  |                          |
| Style 2<br>(Shell and Extra Pole) | 2W, 3P    | ADRE6023-100                       | ADJA6023-100                       | 1                 | ADR6023           | ACP6023BC                     | —                                | .500 to 1.250            |
|                                   |           | ADRE6023-125                       | ADJA6023-125                       | 1-1/4             |                   |                               |                                  |                          |
|                                   | 3W, 4P    | ADRE6034-125                       | ADJA6034-125                       | 1-1/4             | ADR6034           | ACP6034BC                     | NMACP6034BC                      | .500 to 1.250            |
|                                   |           | ADRE6034-150                       | ADJA6034-150                       | 1-1/2             |                   |                               |                                  |                          |

Receptacles are provided with spring door and screw cap.  
 For Reverse Service, add suffix **-RS** to Catalog Number.  
 For Special Polarization, add suffix **-P4** to Catalog Number.

## Horsepower Ratings for Emergency Disconnect Under Load

Plug may be withdrawn in an emergency if within these maximum HP ratings. Not for normal starting and stopping.

| Phase Motor | Wire/Pole                 | 120 Vac | 240 Vac | 480 Vac | 600 Vac |
|-------------|---------------------------|---------|---------|---------|---------|
| 1-Phase     | 2W, 2P or 2W, 3P          | 3HP     | 10HP    | 20HP    | 20HP    |
| 3-Phase     | 3W, 3P; 3W, 4P; or 4W, 4P | 7-1/2HP | 15HP    | 30HP    | 30HP    |

\* For additional mounting boxes, see Aluminum Mounting Boxes.

‡ Plug and receptacle combination is NEMA 4X rated when clamping ring is fully tightened on receptacle.

† Receptacle is NEMA 4X rated when screw cap is closed when the receptacle is not in use.

# Powertite® 60 Amp Pin and Sleeve Connectors and Plugs

600 Vac, 250 Vdc, 50-400 Hz

Pressure Wire Terminals – Wire Recess Diameter: .312". Wire Size Range: #6—#2 Building; #6—#4 Extra Flex.

NEMA 3, 3R, 4, 4X

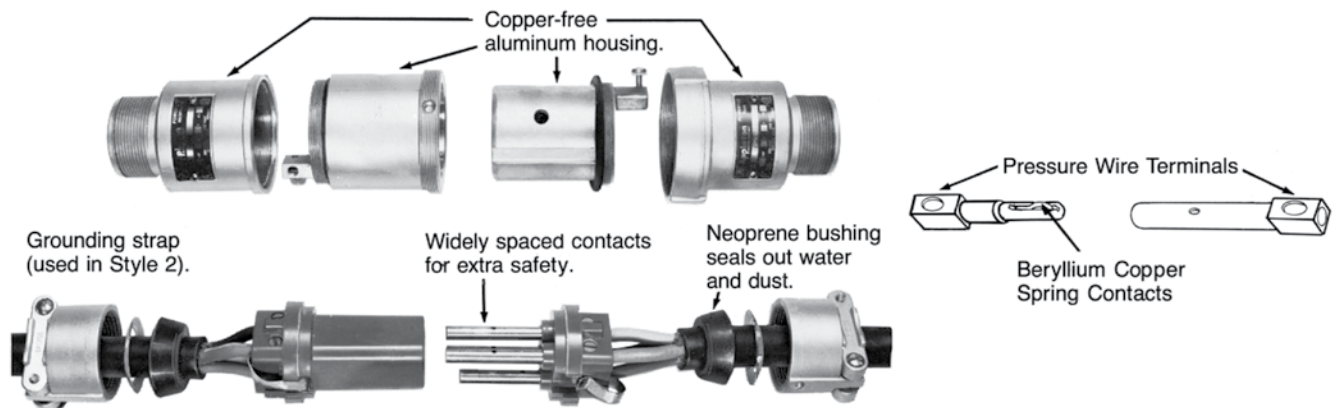


| Grounding Style                   | Wire/Pole | Connector Body Only | Metallic Clamping Ring Plug ‡ | Connector/Plug Cable Dia. (Inches) |
|-----------------------------------|-----------|---------------------|-------------------------------|------------------------------------|
| Style 1<br>(Shell Only)           | 2W, 2P    | ARC6022BC           | ACP6022BC                     | .500 to 1.250                      |
|                                   | 3W, 3P    | ARC6033BC           | ACP6033BC                     | .500 to 1.250                      |
|                                   | 4W, 4P    | ARC6044BC           | ACP6044BC                     | .500 to 1.250                      |
| Style 2<br>(Shell and Extra Pole) | 2W, 3P    | ARC6023BC           | ACP6023BC                     | .500 to 1.250                      |
|                                   | 3W, 4P    | ARC6034BC           | ACP6034BC                     | .500 to 1.250                      |

For Reverse Service, add suffix **-RS** to Catalog Number.

For Special Polarization, add suffix **-P4** to Catalog Number.

## Pin and Sleeve Design



**Energized contacts** deeply recessed to reduce danger of accidental touching, minimize possibility of exposed arcs. Insulator quenches arcing, and is resistant to abnormal heat and to fire.

**Plug mechanical cable clamps** provide strain relief at conductor connections, allow easy cable replacement.

**Pressure wire terminals** allow cable to be readily replaced when necessary. Terminal screws grip conductors firmly. Spring contacts provide constant pressure.

‡ Plug and connector body combination is NEMA 4X rated when clamping ring is fully tightened on connector body.