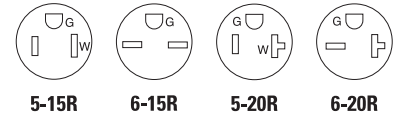


# Arrow Hart extra heavy-duty industrial grade isolated ground straight blade receptacles

Project Name:	Prepared By:
Project Number:	Date:
Catalog Number:	Type:

## Description

2-Pole, 3-Wire Grounding  
 15A 125V; 15A 250V  
 20A 125V; 20A 250V  
 NEMA 5-15, 5-20, 6-15, 6-20



IG5261



AHIG5362



AHTRIG5262

## Design features

- Exclusive screw terminal guards provide fast, easy insulation from conductive surfaces (duplex only)
- Exclusive five-leaf solid brass line contacts provide consistent performance and superior plug retention (duplex only)
- Rigid, glass reinforced nylon base lends ultimate strength and superior high heat resistance in contact carrier (duplex only)
- 0.050" (1.27mm) brass-plated steel mounting strap with non-riveted, integral one-piece grounding system for highest durability – assures superior ground integrity under heaviest use (duplex only)
- Black tamper resistant shutters on TR models create a seamless look, while ensuring code compliance and preventing the insertion of foreign objects
- High impact and chemical-resistant nylon face
- Tapered lead-in slots on back wiring holes assist in gathering stranded wires for faster, more secure connections
- All terminal and mounting screws triple combination (slot/Phillips/Robertson) head for maximum installer flexibility
- Long, broad mounting strap helps reach large panel cutouts for code compliance
- Screw-Catch feature on duplex devices speeds mounting of wallplates

**Table 1. Extra heavy-duty industrial grade isolated ground receptacles**



Rating A	V/AC	NEMA	Description	Color suffix	Catalog no.	
15	125	5-15R	IG duplex receptacle, back & side wire	GY, RD, RN, V, W	□ AHIG5262__	• •
			IG single receptacle, back & side wire	RN	□ IG5261RN* <sup>1</sup>	• •
			TR IG duplex receptacle, back & side wire	GY, RD, RN, V, W	□ AHTRIG5262__	
20	125	5-20R	IG duplex receptacle, back & side wire	BK, GY, RD, RN, V, W	□ AHIG5362__	• •
			IG single receptacle, back & side wire	RN, V	□ IG5361__* <sup>1</sup>	• •
			TR IG duplex receptacle, back & side wire	BK, GY, RD, RN, V, W	□ AHTRIG5362__ <sup>Δ</sup>	

\*Not Fed Spec, <sup>1</sup>UL Listed and CSA, <sup>Δ</sup>Not NOM



Powering Business Worldwide

Project Name:	Prepared By:
Project Number:	Date:
Catalog Number:	Type:



IG5661RN



AHIG5662RN

**Table 2. Extra heavy-duty industrial grade isolated ground receptacles**


Rating	A	V/AC	NEMA	Description	Color suffix	Catalog no.	
15	250	6-15R	IG duplex receptacle, back & side wire	RN	□ AHIG5662RN	•	
				RN	□ IG5661RN* <sup>†</sup> Δ	•	
20	250	6-20R	IG duplex receptacle, back & side wire	RN	□ AHIG5462RN	•	
				RN	□ IG5461RN* <sup>†</sup> Δ <sup>∞</sup>	•	

\*Not Fed Spec, <sup>†</sup>UL Listed, <sup>Δ</sup>CSA, <sup>∞</sup>NOM Certified


## Applications

The grounding network in any commercial building serves as a means of protection for both people and equipment. However, it can also serve as a conductor for electromagnetic interference or electronic noise. Electronic noise can distort electronic signals and ultimately cause sensitive electronic equipment to operate improperly. Arrow Hart's line of extra heavy-duty industrial grade isolated ground receptacles utilize our exclusive 0.030" solid brass, non-riveted, integral one-piece isolated grounding shunt system to assure ground integrity under the heaviest use.

**Table 3. Specifications**

Catalog No.	AHIG5262, AHIG5362, AHIG5462, AHIG5662 Series	IG5261, IG5361, IG5461, IG5661 Series	AHTRIG5262, AHTRIG5362 Series 
<b>Device type</b>	<b>Industrial grade extra heavy-duty isolated ground duplex receptacles</b>	<b>Industrial grade extra heavy-duty isolated ground single receptacles</b>	<b>Tamper resistant extra heavy-duty industrial grade isolated ground single receptacles</b>
<b>Wiring type</b>	Back & side wire	Back & side wire	Back & side wire
<b>Testing &amp; code compliance</b>	<ul style="list-style-type: none"> <li>Listed to UL498, file no. E15058</li> <li>UL verified to Federal Spec. WC-596G</li> <li>CSA certified to C22.2, no. 42, file no. 6914, class 6233-01</li> <li>NOM certified</li> <li>Complies with NEMA WD-1 &amp; NEMA WD-6</li> </ul>	<ul style="list-style-type: none"> <li>Listed to UL498, file no. E15058</li> <li>UL verified to Federal Spec. WC-596G (except IG5661)</li> <li>CSA certified to C22.2, no. 42, file no. 6914, class 6233-01</li> <li>NOM certified</li> <li>Complies with NEMA WD-1 &amp; NEMA WD-6</li> </ul>	<ul style="list-style-type: none"> <li>cULus Listed</li> <li>NOM certified</li> <li>Complies with NEMA WD-1 &amp; NEMA WD-6</li> </ul>
<b>Environmental specifications</b>	<b>Flammability:</b> Meets UL 94 requirements; V2 rated <b>Temperature rating:</b> -20°C to 70°C (-4°F to 158°F)	<b>Flammability:</b> Meets UL 94 requirements; V2 rated <b>Temperature rating:</b> -20°C to 70°C (-4°F to 158°F)	<b>Flammability:</b> Meets UL 94 requirements; V2 rated <b>Temperature rating:</b> -20°C to 70°C (-4°F to 158°F)
<b>Electrical specifications</b>	<b>Dielectric voltage:</b> Withstands 2000V per UL 498 <b>Current interrupting:</b> Yes, at full-rated current <b>Temperature rise:</b> Max. 30°C (86°F) after 250 cycles of overload @ 200% of rated current (DC)	<b>Dielectric voltage:</b> Withstands 2000V per UL 498 <b>Current interrupting:</b> Yes, at full-rated current <b>Temperature rise:</b> Max. 30°C (86°F) after 250 cycles of overload @ 200% of rated current (DC)	<b>Dielectric voltage:</b> Withstands 2000V per UL 498 <b>Current interrupting:</b> Yes, at full-rated current <b>Temperature rise:</b> Max. 30°C (86°F) after 250 cycles of overload @ 200% of rated current (DC)
<b>Mechanical specifications</b>	<b>Terminal accommodation:</b> #14 - 10 AWG <b>Voltage ratings:</b> Permanently marked on device	<b>Terminal accommodation:</b> #14 - 10 AWG <b>Voltage ratings:</b> Permanently marked on device	<b>Terminal accommodation:</b> #14 - 10 AWG <b>Voltage ratings:</b> Permanently marked on device

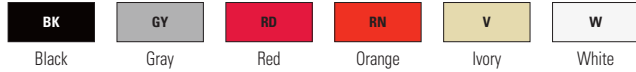
**Table 4. Materials**

Catalog No.	AHIG5262, AHIG5362, AHIG5462, AHIG5662 Series	IG5261, IG5361, IG5461, IG5661 Series	AHTRIG5262, AHTRIG5362 Series 
<b>Face</b>	Nylon	Nylon	Nylon
<b>Base</b>	Glass-filled nylon	Nylon	Nylon
<b>Strap</b>	0.05" thick steel, brass plated	0.05" thick steel, zinc plated	0.05" thick steel, zinc plated
<b>Auto ground</b>	Brass clip	Phosphor bronze staple	Phosphor bronze staple
<b>Line contacts</b>	0.031" thick 5-leaf 688 grade high-performance brass	0.037" thick 3-leaf brass	0.037" thick 3-leaf brass
<b>Ground contact</b>	1-piece isolated ground shunt	1-piece isolated ground shunt	1-piece isolated ground shunt
<b>Terminal screws</b>	#8-32 brass, neutral screw nickel plated	#8-32 brass, neutral screw nickel plated	#8-32 brass, neutral screw nickel plated
<b>Ground screw</b>	Steel, zinc plated (green)	Steel zinc plated green tone	Steel zinc plated green tone
<b>Screw terminal guards</b>	PVC hinged doors	N/A	N/A

Project Name:	Prepared By:
Project Number:	Date:
Catalog Number:	Type:

**Table 5. Color ordering information**

For ordering devices, include Cat. No. followed by the color code: BK (Black), GY (Gray), RD (Red), RN (Orange), V (Ivory), W (White)



**Product Dimensions**

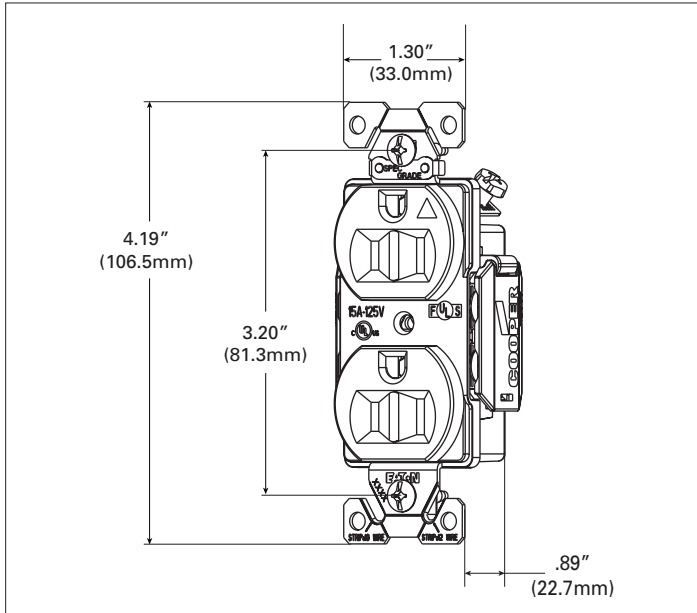


Figure 1. AHIG5262 Line art with dimensions

**Product Dimensions**

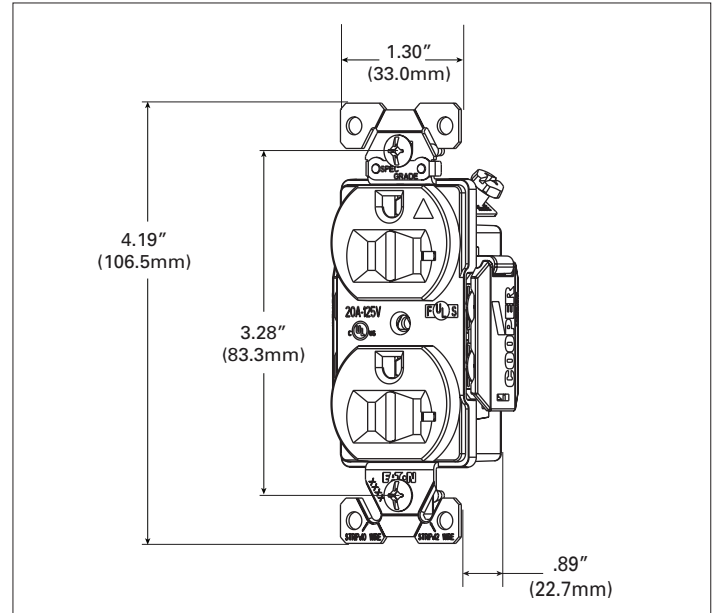


Figure 2. AHIG5362 Line art with dimensions

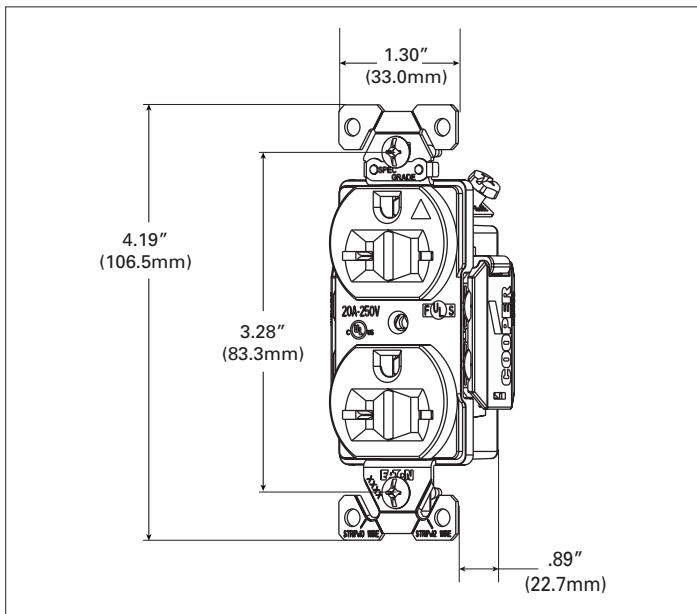


Figure 3. AHIG5462 Line art with dimensions

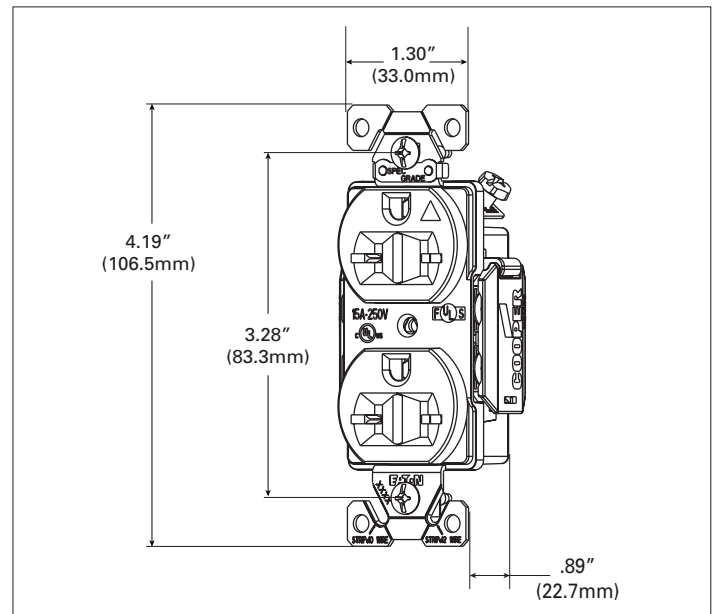


Figure 4. AHIG5662 Line art with dimensions

Project Name:	Prepared By:
Project Number:	Date:
Catalog Number:	Type:

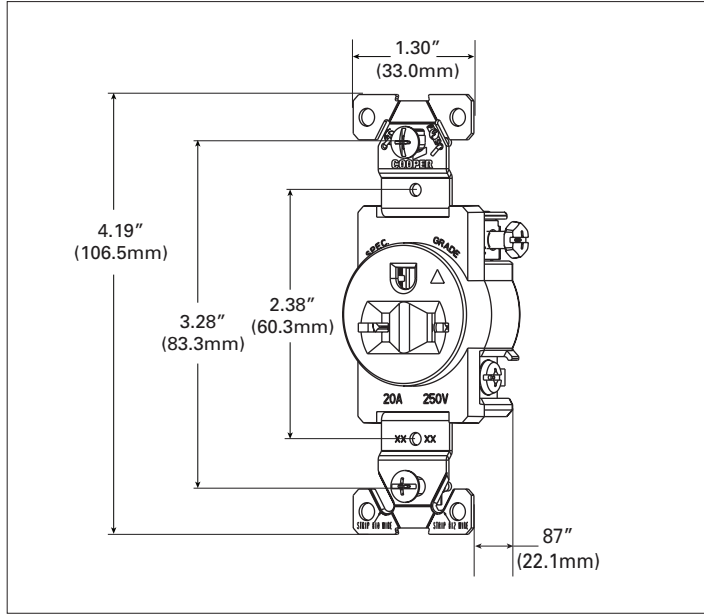


Figure 5. IG5461 Line Art with Dimensions

## Certifications & compliances

Catalog No.	cULus	UL	FUS	CSA	NOM 426	Arrowlink
AHIG5262	•	•	•	•	•	•
IG5261RN		•	•	•	•	•
AHTRIG5262	•	•	•	•	•	•
AHIG5362	•	•	•	•	•	•
IG5361		•	•	•	•	•
AHTRIG5362	•	•	•	•	•	•
AHIG5662	•	•	•	•	•	•
IG5661RN		•	•	•	•	•
AHIG5462	•	•	•	•	•	•
IG5461RN		•	•	•	•	•

**KEY:** cULus cULus UL UL FUS Fed Spec CSA CSA NOM 426 NOM 426 Arrowlink Arrowlink Indicates USMCA compliant Indicates USMCA compliant

Compliances, specifications and availability are subject to change without notice.

Electrical Sector  
203 Cooper Circle  
Peachtree City, GA 30269  
United States  
Eaton.com  
Eaton.com/wiringdevices

Electrical Sector  
Canada Operations  
5925 McLaughlin Road  
Mississauga, Ontario, L5R 1B8  
Canada  
EatonCanada.ca  
Eaton.com/wiringdevices

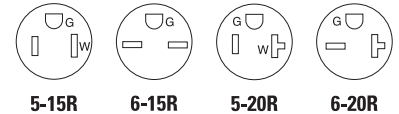
Electrical Sector  
Mexico Operations  
Carr. Tlalnepantla -  
Cuautitlan Km 17.8 s/n  
Col. Villa Jardin esq.  
Cerrada 8 de Mayo  
Cuautitlan, Mexico CP 54800  
Mexico  
Eaton.mx  
Eaton.com/wiringdevices

# Arrow Hart extra heavy-duty industrial grade isolated ground straight blade receptacles

Project Name:	Prepared By:
Project Number:	Date:
Catalog Number:	Type:

## Description

2-Pole, 3-Wire Grounding  
 15A 125V; 15A 250V  
 20A 125V; 20A 250V  
 NEMA 5-15, 5-20, 6-15, 6-20



IG5261



AHIG5362



AHTRIG5262

## Design features

- Exclusive screw terminal guards provide fast, easy insulation from conductive surfaces (duplex only)
- Exclusive five-leaf solid brass line contacts provide consistent performance and superior plug retention (duplex only)
- Rigid, glass reinforced nylon base lends ultimate strength and superior high heat resistance in contact carrier (duplex only)
- 0.050" (1.27mm) brass-plated steel mounting strap with non-riveted, integral one-piece grounding system for highest durability – assures superior ground integrity under heaviest use (duplex only)
- Black tamper resistant shutters on TR models create a seamless look, while ensuring code compliance and preventing the insertion of foreign objects
- High impact and chemical-resistant nylon face
- Tapered lead-in slots on back wiring holes assist in gathering stranded wires for faster, more secure connections
- All terminal and mounting screws triple combination (slot/Phillips/Robertson) head for maximum installer flexibility
- Long, broad mounting strap helps reach large panel cutouts for code compliance
- Screw-Catch feature on duplex devices speeds mounting of wallplates

**Table 1. Extra heavy-duty industrial grade isolated ground receptacles**



Rating A	V/AC	NEMA	Description	Color suffix	Catalog no.	
15	125	5-15R	IG duplex receptacle, back & side wire	GY, RD, RN, V, W	□ AHIG5262__	• •
			IG single receptacle, back & side wire	RN	□ IG5261RN* <sup>1</sup>	• •
			TR IG duplex receptacle, back & side wire	GY, RD, RN, V, W	□ AHTRIG5262__	
20	125	5-20R	IG duplex receptacle, back & side wire	BK, GY, RD, RN, V, W	□ AHIG5362__	• •
			IG single receptacle, back & side wire	RN, V	□ IG5361__* <sup>1</sup>	• •
			TR IG duplex receptacle, back & side wire	BK, GY, RD, RN, V, W	□ AHTRIG5362__ <sup>Δ</sup>	

\*Not Fed Spec, <sup>1</sup>UL Listed and CSA, <sup>Δ</sup>Not NOM



Powering Business Worldwide

Project Name:	Prepared By:
Project Number:	Date:
Catalog Number:	Type:



IG5661RN



AHIG5662RN

**Table 2. Extra heavy-duty industrial grade isolated ground receptacles**


Rating	A	V/AC	NEMA	Description	Color suffix	Catalog no.	
15	250	6-15R	IG duplex receptacle, back & side wire	RN	□ AHIG5662RN	•	
				RN	□ IG5661RN* <sup>†</sup> Δ	•	
20	250	6-20R	IG duplex receptacle, back & side wire	RN	□ AHIG5462RN	•	
				RN	□ IG5461RN* <sup>†</sup> Δ <sup>∞</sup>	•	

\*Not Fed Spec, <sup>†</sup>UL Listed, <sup>Δ</sup>CSA, <sup>∞</sup>NOM Certified


## Applications

The grounding network in any commercial building serves as a means of protection for both people and equipment. However, it can also serve as a conductor for electromagnetic interference or electronic noise. Electronic noise can distort electronic signals and ultimately cause sensitive electronic equipment to operate improperly. Arrow Hart's line of extra heavy-duty industrial grade isolated ground receptacles utilize our exclusive 0.030" solid brass, non-riveted, integral one-piece isolated grounding shunt system to assure ground integrity under the heaviest use.

**Table 3. Specifications**

Catalog No.	AHIG5262, AHIG5362, AHIG5462, AHIG5662 Series	IG5261, IG5361, IG5461, IG5661 Series	AHTRIG5262, AHTRIG5362 Series 
<b>Device type</b>	<b>Industrial grade extra heavy-duty isolated ground duplex receptacles</b>	<b>Industrial grade extra heavy-duty isolated ground single receptacles</b>	<b>Tamper resistant extra heavy-duty industrial grade isolated ground single receptacles</b>
<b>Wiring type</b>	Back & side wire	Back & side wire	Back & side wire
<b>Testing &amp; code compliance</b>	<ul style="list-style-type: none"> <li>Listed to UL498, file no. E15058</li> <li>UL verified to Federal Spec. WC-596G</li> <li>CSA certified to C22.2, no. 42, file no. 6914, class 6233-01</li> <li>NOM certified</li> <li>Complies with NEMA WD-1 &amp; NEMA WD-6</li> </ul>	<ul style="list-style-type: none"> <li>Listed to UL498, file no. E15058</li> <li>UL verified to Federal Spec. WC-596G (except IG5661)</li> <li>CSA certified to C22.2, no. 42, file no. 6914, class 6233-01</li> <li>NOM certified</li> <li>Complies with NEMA WD-1 &amp; NEMA WD-6</li> </ul>	<ul style="list-style-type: none"> <li>cULus Listed</li> <li>NOM certified</li> <li>Complies with NEMA WD-1 &amp; NEMA WD-6</li> </ul>
<b>Environmental specifications</b>	<b>Flammability:</b> Meets UL 94 requirements; V2 rated <b>Temperature rating:</b> -20°C to 70°C (-4°F to 158°F)	<b>Flammability:</b> Meets UL 94 requirements; V2 rated <b>Temperature rating:</b> -20°C to 70°C (-4°F to 158°F)	<b>Flammability:</b> Meets UL 94 requirements; V2 rated <b>Temperature rating:</b> -20°C to 70°C (-4°F to 158°F)
<b>Electrical specifications</b>	<b>Dielectric voltage:</b> Withstands 2000V per UL 498 <b>Current interrupting:</b> Yes, at full-rated current <b>Temperature rise:</b> Max. 30°C (86°F) after 250 cycles of overload @ 200% of rated current (DC)	<b>Dielectric voltage:</b> Withstands 2000V per UL 498 <b>Current interrupting:</b> Yes, at full-rated current <b>Temperature rise:</b> Max. 30°C (86°F) after 250 cycles of overload @ 200% of rated current (DC)	<b>Dielectric voltage:</b> Withstands 2000V per UL 498 <b>Current interrupting:</b> Yes, at full-rated current <b>Temperature rise:</b> Max. 30°C (86°F) after 250 cycles of overload @ 200% of rated current (DC)
<b>Mechanical specifications</b>	<b>Terminal accommodation:</b> #14 - 10 AWG <b>Voltage ratings:</b> Permanently marked on device	<b>Terminal accommodation:</b> #14 - 10 AWG <b>Voltage ratings:</b> Permanently marked on device	<b>Terminal accommodation:</b> #14 - 10 AWG <b>Voltage ratings:</b> Permanently marked on device

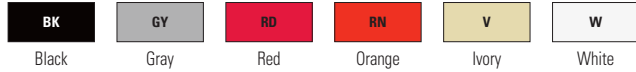
**Table 4. Materials**

Catalog No.	AHIG5262, AHIG5362, AHIG5462, AHIG5662 Series	IG5261, IG5361, IG5461, IG5661 Series	AHTRIG5262, AHTRIG5362 Series 
<b>Face</b>	Nylon	Nylon	Nylon
<b>Base</b>	Glass-filled nylon	Nylon	Nylon
<b>Strap</b>	0.05" thick steel, brass plated	0.05" thick steel, zinc plated	0.05" thick steel, zinc plated
<b>Auto ground</b>	Brass clip	Phosphor bronze staple	Phosphor bronze staple
<b>Line contacts</b>	0.031" thick 5-leaf 688 grade high-performance brass	0.037" thick 3-leaf brass	0.037" thick 3-leaf brass
<b>Ground contact</b>	1-piece isolated ground shunt	1-piece isolated ground shunt	1-piece isolated ground shunt
<b>Terminal screws</b>	#8-32 brass, neutral screw nickel plated	#8-32 brass, neutral screw nickel plated	#8-32 brass, neutral screw nickel plated
<b>Ground screw</b>	Steel, zinc plated (green)	Steel zinc plated green tone	Steel zinc plated green tone
<b>Screw terminal guards</b>	PVC hinged doors	N/A	N/A

Project Name:	Prepared By:
Project Number:	Date:
Catalog Number:	Type:

**Table 5. Color ordering information**

For ordering devices, include Cat. No. followed by the color code: BK (Black), GY (Gray), RD (Red), RN (Orange), V (Ivory), W (White)



**Product Dimensions**

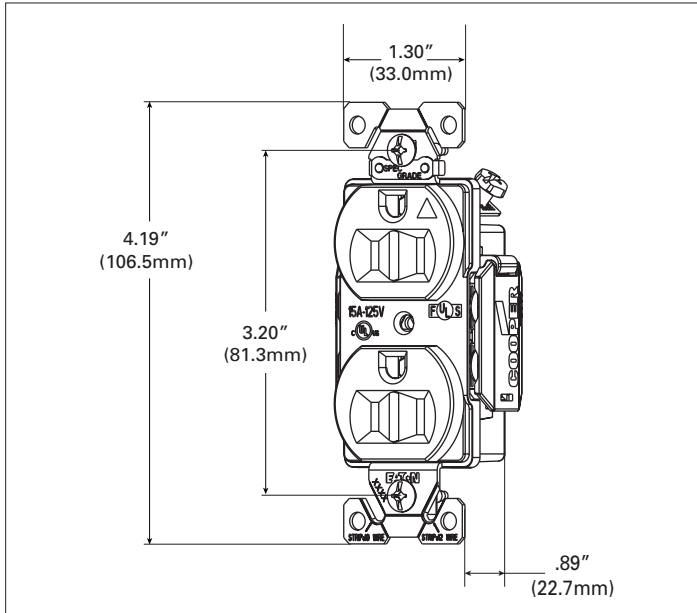


Figure 1. AHIG5262 Line art with dimensions

**Product Dimensions**

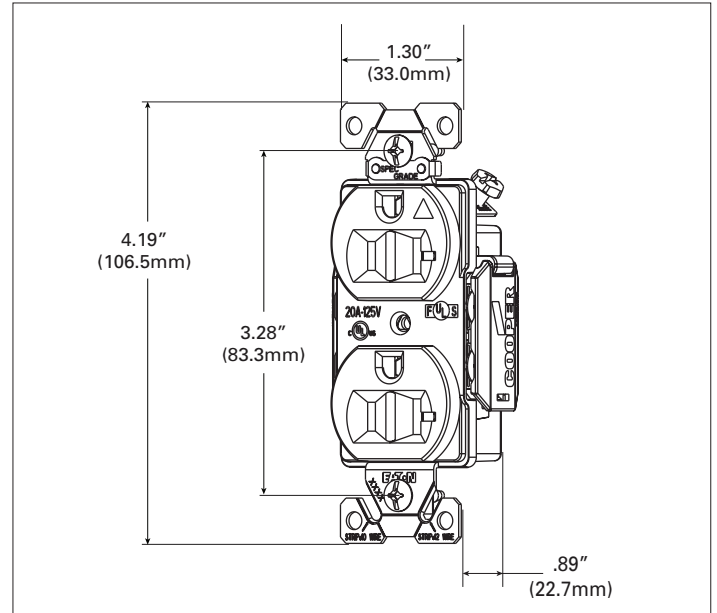


Figure 2. AHIG5362 Line art with dimensions

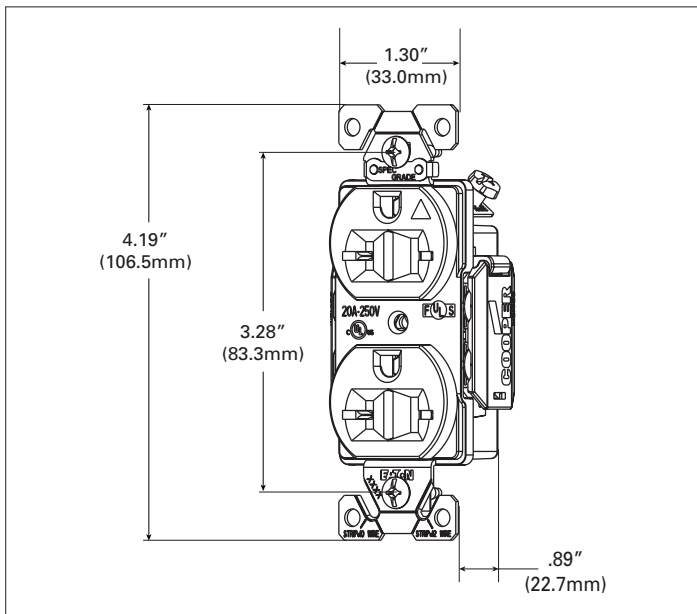


Figure 3. AHIG5462 Line art with dimensions

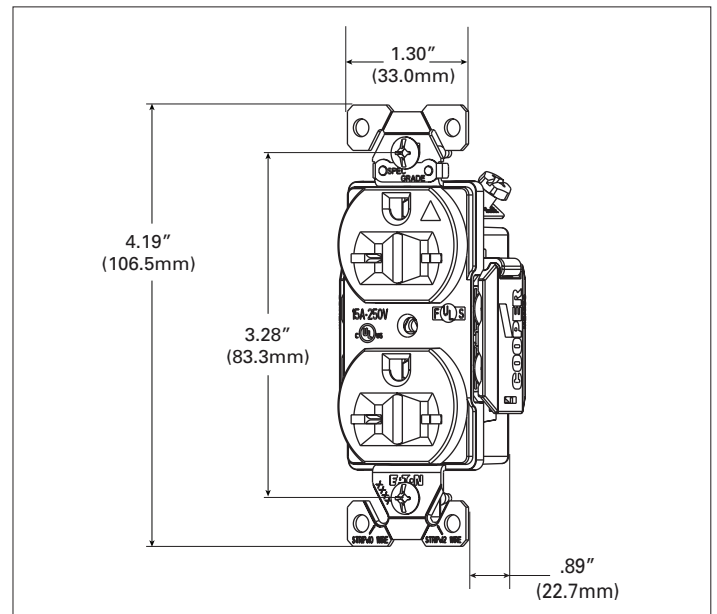


Figure 4. AHIG5662 Line art with dimensions

Project Name:	Prepared By:
Project Number:	Date:
Catalog Number:	Type:

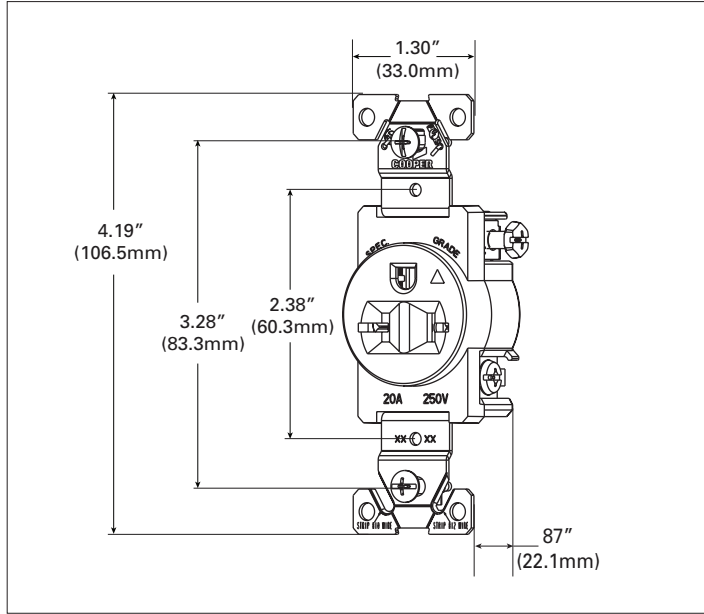


Figure 5. IG5461 Line Art with Dimensions

## Certifications & compliances

Catalog No.	cULus	UL	FUS	CSA	NOM 426	Arrowlink
AHIG5262	•	•	•	•	•	•
IG5261RN		•	•	•	•	•
AHTRIG5262	•	•	•	•	•	•
AHIG5362	•	•	•	•	•	•
IG5361		•	•	•	•	•
AHTRIG5362	•	•	•	•	•	•
AHIG5662	•	•	•	•	•	•
IG5661RN		•	•	•	•	•
AHIG5462	•	•	•	•	•	•
IG5461RN		•	•	•	•	•

**KEY:** cULus cULus UL UL FUS Fed Spec CSA CSA NOM 426 NOM 426 Indicates USMCA compliant Arrowlink Arrowlink

Compliances, specifications and availability are subject to change without notice.

Electrical Sector  
203 Cooper Circle  
Peachtree City, GA 30269  
United States  
Eaton.com  
Eaton.com/wiringdevices

Electrical Sector  
Canada Operations  
5925 McLaughlin Road  
Mississauga, Ontario, L5R 1B8  
Canada  
EatonCanada.ca  
Eaton.com/wiringdevices

Electrical Sector  
Mexico Operations  
Carr. Tlalnepantla -  
Cuautitlan Km 17.8 s/n  
Col. Villa Jardin esq.  
Cerrada 8 de Mayo  
Cuautitlan, Mexico CP 54800  
Mexico  
Eaton.mx  
Eaton.com/wiringdevices