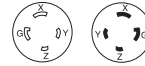


# Industrial grade L16-30 locking devices

Project Name:	Prepared By:
Project Number:	Date:
Catalog Number:	Type:

## Description

NEMA L16-30 30A, 3Ø 480V/AC, 3P-4W



L16-30R L16-30P



AHL1630P



AHL1630C



AHL1630R



AHL1630FO

### Design features for plug & connector

- All nylon construction
- EPDM gasket seals cord hole from dust and debris
- Back wire terminal clamps for easy secure wiring
- Individual wiring compartments with tapered channel for easy insertion of wires
- Clear cover over wiring compartments allows easy inspection of wiring terminations
- Rating printed on side of device
- Largest-in-class grommet size allows for entire cord size range

### Design features for receptacle

- Rugged glass filled nylon body
- Clearly marked rating, NEMA configuration and approval listings on receptacle face
- One piece brass contacts offer superior performance and minimum heat rise
- Back and side wiring terminal clamps for easy, secure wiring

### Design features for flanged inlet & outlet

- All nylon construction
- Mounting holes interchangeable with competitive units
- Back wire terminal clamps for easy, secure wiring
- Individual wiring compartments with tapered channel for easy insertion of wires

**Table 1. NEMA L16-30 Industrial Grade Locking Devices**

Catalog No.	Description	Amps	Volts	Color
□ AHL1630P	Ultra grip plug, 3-phase	30	480	Black & white
□ AHL1630C	Ultra grip connector, 3-phase	30	480	Black & white
□ AHL1630R	Single receptacle, 3-phase	30	480	Black
□ AHL1630FO	Flanged outlet, 3-phase	30	480	Black & white
□ AHL1630FI	Flanged inlet, 3-phase	30	480	Black & white

Compliances, specifications and availability are subject to change without notice.

**EATON**

Powering Business Worldwide

Project Name:	Prepared By:
Project Number:	Date:
Catalog Number:	Type:

## Plug & Connector

NEMA L16-30 30A, 3Ø 480V/AC, 3P-4W

**Table 2. Specifications**

Catalog No.	NEMA L16-30 Plug & Connector
<b>NEMA Config</b>	NEMA L16-30
<b>Wiring Type</b>	Back wire
<b>Environmental Specifications</b>	<b>Flammability:</b> Meets UL94 requirements; V2 rated <b>Temperature Rating:</b> -40°C to 60°C (-40°F to 140°F)
<b>Electrical Specifications</b>	<b>Dielectric Voltage:</b> Twice the device rating + 1000V per UL498 <b>Current Interrupting:</b> Yes, at full-rated current <b>Temperature Rise:</b> Max. 30°C (86°F) after 50 cycles of overload at 150% of rated current (DC)
<b>Mechanical Specifications</b>	<b>Terminal Accommodation:</b> #16 - #8 AWG <b>Voltage Ratings:</b> Permanently marked on device

**Table 3. Materials**

Catalog No.	NEMA L16-30 Plug & Connector
<b>NEMA Config</b>	NEMA L16-30
<b>Outer Shell</b>	Nylon
<b>Interior Body</b>	Nylon
<b>Terminal Retainer</b>	Polycarbonate
<b>Blades</b>	Brass
<b>Line Contacts</b>	Bronze, tin plated
<b>Terminal Clamps</b>	Steel, tin plated
<b>Terminal Screws</b>	#10-32 brass, zinc plated (neutral screw)
<b>Ground Screw</b>	#10-32 brass
<b>Assembly Screws</b>	Steel, nickel plated
<b>Gasket/Dust Shield</b>	EPDM
<b>Cord Clamp Screws</b>	Steel, nickel plated
<b>Cord Clamp</b>	Nylon

## Product Dimensions

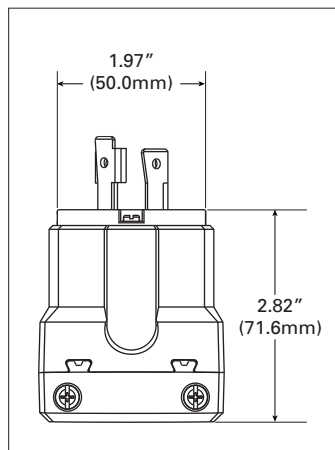


Figure 1. AHL1630P

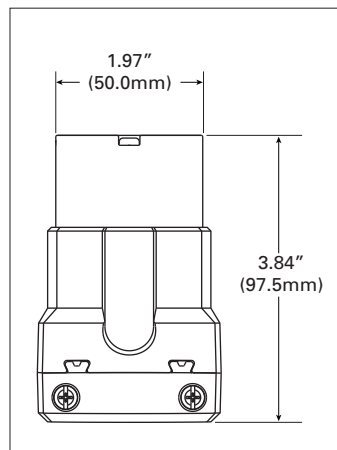


Figure 2. AHL1630C

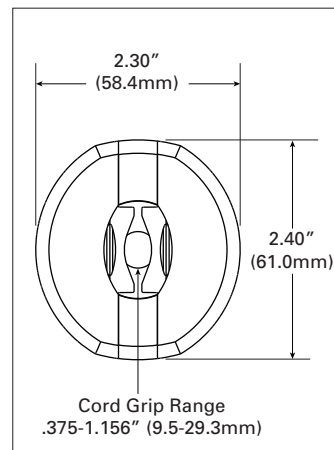


Figure 3. Base Angle

Compliances, specifications and availability are subject to change without notice.

Project Name:	Prepared By:
Project Number:	Date:
Catalog Number:	Type:

## Single Receptacle

NEMA L16-30 30A, 3Ø 480V/AC, 3P-4W

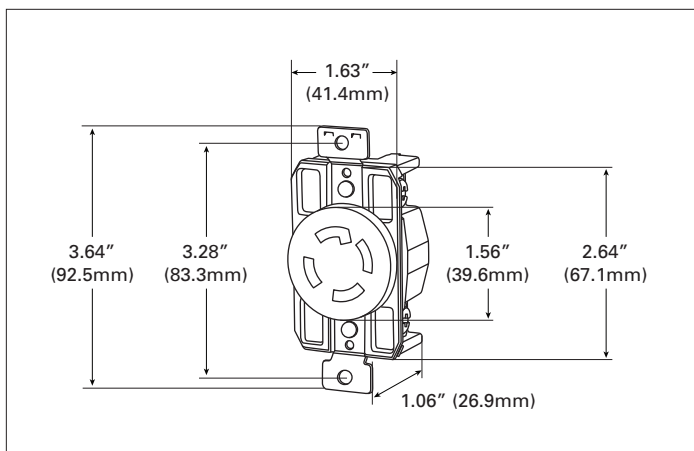
**Table 4. Specifications**

Catalog No.	NEMA L16-30 Single Receptacle
<b>NEMA Config</b>	NEMA L16-30
<b>Wiring Type</b>	Back & side wire
<b>Environmental Specifications</b>	<b>Flammability:</b> Meets UL94 requirements; V0 rated <b>Temperature Rating:</b> -40°C to 60°C (-40°F to 140°F)
<b>Electrical Specifications</b>	<b>Dielectric Voltage:</b> ≤300V: 2000V, 301-600V: 3000V per UL498 <b>Current Interrupting:</b> Yes, at full-rated current <b>Temperature Rise:</b> Max. 30°C (86°F) after 50 cycles of overload @ 150% of rated current (DC)
<b>Mechanical Specifications</b>	<b>Terminal Accommodation:</b> #14 - #8 AWG <b>Voltage Ratings:</b> Permanently marked on device

**Table 5. Materials**

Catalog No.	NEMA L16-30 Single Receptacle
<b>NEMA Config</b>	NEMA L16-30
<b>Face</b>	Glass-filled nylon
<b>Base</b>	Glass-filled nylon
<b>Mounting Strap</b>	0.050" thick steel, zinc plated
<b>Line Contacts</b>	0.041" thick brass
<b>Terminal Screws</b>	#10-32 brass, nickel plated (neutral screw)
<b>Ground Screw</b>	#10-32 brass (green)
<b>Terminal Clamps/Plates</b>	0.041" thick brass
<b>Ground Contacts</b>	0.041" thick brass
<b>Back Plate</b>	0.041" thick brass, nickel plated
<b>Mounting Screws</b>	Steel, zinc plated

## Product Dimensions



**Figure 4. AHL1630R**

Compliances, specifications and availability are subject to change without notice.

Project Name:	Prepared By:
Project Number:	Date:
Catalog Number:	Type:

## Flanged Outlet & Inlet

NEMA L16-30 30A, 3Ø 480V/AC, 3P-4W

Table 6. Specifications

Catalog No.	NEMA L16-30 Flanged Outlet	NEMA L16-30 Flanged Inlet
<b>NEMA Config</b>	NEMA L16-30	NEMA L16-30
<b>Wiring Type</b>	Back wire	Back wire
<b>Environmental Specifications</b>	<b>Flammability:</b> Meets UL94 requirements; V2 rated <b>Temperature Rating:</b> -40°C to 60°C (-40°F to 140°F)	<b>Flammability:</b> Meets UL94 requirements; V2 rated <b>Temperature Rating:</b> -40°C to 60°C (-40°F to 140°F)
<b>Electrical Specifications</b>	<b>Dielectric Voltage:</b> ≤300V: 2000V, 301-600V: 3000V per UL498 <b>Current Interrupting:</b> Yes, at full-rated current <b>Temperature Rise:</b> Max. 30°C (86°F) after 50 cycles of overload @ 150% of rated current (DC)	<b>Dielectric Voltage:</b> ≤300V: 2000V, 301-600V: 3000V per UL498 <b>Current Interrupting:</b> Yes, at full-rated current <b>Temperature Rise:</b> Max. 30°C (86°F) at max rated current
<b>Mechanical Specifications</b>	<b>Terminal Accommodation:</b> #14 - #8 AWG <b>Voltage Ratings:</b> Permanently marked on device	<b>Terminal Accommodation:</b> #14 - #8 AWG <b>Voltage Ratings:</b> Permanently marked on device

Table 7. Materials

Catalog No.	NEMA L16-30 Flanged Outlet	NEMA L16-30 Flanged Inlet
<b>NEMA Config</b>	NEMA L16-30	NEMA L16-30
<b>Outer Shell</b>	Nylon	Nylon
<b>Interior Body</b>	Nylon	Nylon
<b>Terminal Retainer</b>	Polycarbonate	Polycarbonate
<b>Blades</b>	N/A	0.062" thick brass
<b>Line Contacts</b>	0.031" thick brass	N/A
<b>Terminal Clamps</b>	Steel	Steel
<b>Terminal Screws</b>	#10-32 brass, nickel plated (neutral screw)	#10-32 brass, nickel plated (neutral screw)
<b>Ground Screw</b>	#10-32 brass (green)	#10-32 brass (green)
<b>Assembly Screws</b>	Steel, zinc plated	Steel, zinc plated
<b>Mounting Screws</b>	Steel, zinc plated	Steel, zinc plated

## Product Dimensions

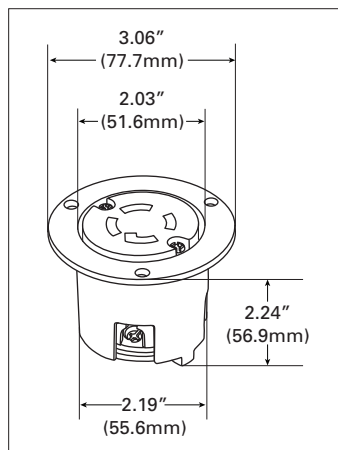


Figure 5. AHL1630FO

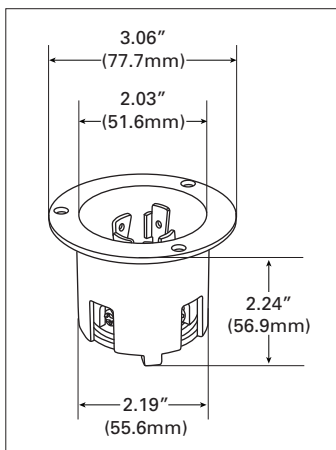


Figure 6. AHL1630FI

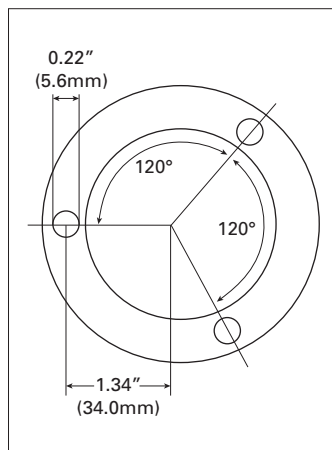












Figure 7. Top View


Compliances, specifications and availability are subject to change without notice.

Project Name:	Prepared By:
Project Number:	Date:
Catalog Number:	Type:

## Certifications & Compliances

Catalog No.					
AHL1630P	•			•	•
AHL1630C	•			•	•
AHL1630R		•	•	•	•
AHL1630FO		•	•	•	•
AHL1630FI	•			•	•

**KEY:**  cULus  UL  CSA  NAFTA  ROHS

 Parts are manufactured and designed in accordance with article 4 of the European Union's RoHS2 directive 2011/65/EU

**Compliances, specifications and availability are subject to change without notice.**

Electrical Sector  
203 Cooper Circle  
Peachtree City, GA 30269  
United States  
Eaton.com  
Arrowhart.com

Electrical Sector  
Canada Operations  
5925 McLaughlin Road  
Mississauga, Ontario, L5R 1B8  
Canada  
EatonCanada.ca  
Arrowhart.com

Electrical Sector  
Mexico Operations  
Carr. Tlalnepantla -  
Cuautitlan Km 178 s/n  
Col. Villa Jardin esq.  
Cerrada 8 de Mayo  
Cuautitlan, Mexico CP 54800  
Mexico  
Eaton.mx  
Arrowhart.com

**Eaton**  
1000 Eaton Boulevard  
Cleveland, OH 44122  
United States  
Eaton.com

© 2014 Eaton  
All Rights Reserved  
Printed in USA  
Publication No. 125-0102-13  
January 2014

Eaton is a registered trademark.

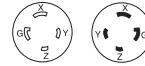
All other trademarks are property  
of their respective owners.

# Industrial grade L16-30 locking devices

Project Name:	Prepared By:
Project Number:	Date:
Catalog Number:	Type:

## Description

NEMA L16-30 30A, 3Ø 480V/AC, 3P-4W



L16-30R L16-30P



AHL1630P



AHL1630C



AHL1630R



AHL1630FO

## Design features for plug & connector

- All nylon construction
- EPDM gasket seals cord hole from dust and debris
- Back wire terminal clamps for easy secure wiring
- Individual wiring compartments with tapered channel for easy insertion of wires
- Clear cover over wiring compartments allows easy inspection of wiring terminations
- Rating printed on side of device
- Largest-in-class grommet size allows for entire cord size range

## Design features for receptacle

- Rugged glass filled nylon body
- Clearly marked rating, NEMA configuration and approval listings on receptacle face
- One piece brass contacts offer superior performance and minimum heat rise
- Back and side wiring terminal clamps for easy, secure wiring

## Design features for flanged inlet & outlet

- All nylon construction
- Mounting holes interchangeable with competitive units
- Back wire terminal clamps for easy, secure wiring
- Individual wiring compartments with tapered channel for easy insertion of wires

**Table 1. NEMA L16-30 Industrial Grade Locking Devices**

Catalog No.	Description	Amps	Volts	Color
□ AHL1630P	Ultra grip plug, 3-phase	30	480	Black & white
□ AHL1630C	Ultra grip connector, 3-phase	30	480	Black & white
□ AHL1630R	Single receptacle, 3-phase	30	480	Black
□ AHL1630FO	Flanged outlet, 3-phase	30	480	Black & white
□ AHL1630FI	Flanged inlet, 3-phase	30	480	Black & white

Compliances, specifications and availability are subject to change without notice.

**EATON**

Powering Business Worldwide

Project Name:	Prepared By:
Project Number:	Date:
Catalog Number:	Type:

## Plug & Connector

NEMA L16-30 30A, 3Ø 480V/AC, 3P-4W

**Table 2. Specifications**

Catalog No.	NEMA L16-30 Plug & Connector
<b>NEMA Config</b>	NEMA L16-30
<b>Wiring Type</b>	Back wire
<b>Environmental Specifications</b>	<b>Flammability:</b> Meets UL94 requirements; V2 rated <b>Temperature Rating:</b> -40°C to 60°C (-40°F to 140°F)
<b>Electrical Specifications</b>	<b>Dielectric Voltage:</b> Twice the device rating + 1000V per UL498 <b>Current Interrupting:</b> Yes, at full-rated current <b>Temperature Rise:</b> Max. 30°C (86°F) after 50 cycles of overload at 150% of rated current (DC)
<b>Mechanical Specifications</b>	<b>Terminal Accommodation:</b> #16 - #8 AWG <b>Voltage Ratings:</b> Permanently marked on device

**Table 3. Materials**

Catalog No.	NEMA L16-30 Plug & Connector
<b>NEMA Config</b>	NEMA L16-30
<b>Outer Shell</b>	Nylon
<b>Interior Body</b>	Nylon
<b>Terminal Retainer</b>	Polycarbonate
<b>Blades</b>	Brass
<b>Line Contacts</b>	Bronze, tin plated
<b>Terminal Clamps</b>	Steel, tin plated
<b>Terminal Screws</b>	#10-32 brass, zinc plated (neutral screw)
<b>Ground Screw</b>	#10-32 brass
<b>Assembly Screws</b>	Steel, nickel plated
<b>Gasket/Dust Shield</b>	EPDM
<b>Cord Clamp Screws</b>	Steel, nickel plated
<b>Cord Clamp</b>	Nylon

## Product Dimensions

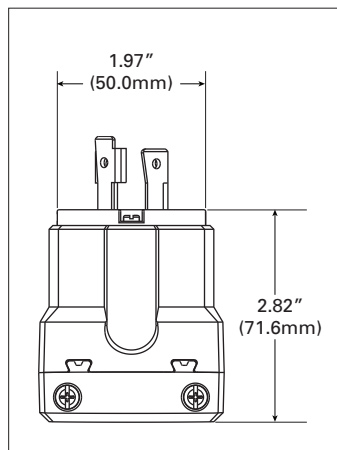


Figure 1. AHL1630P

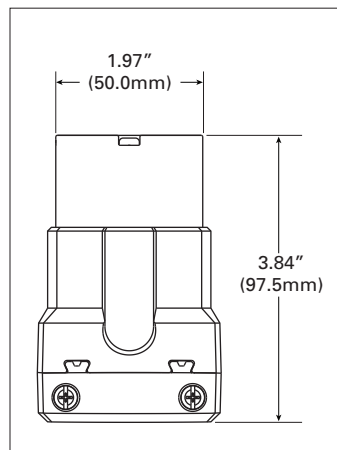


Figure 2. AHL1630C

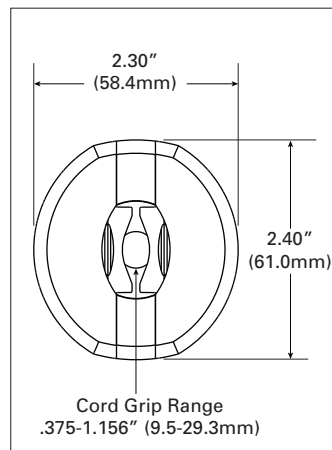


Figure 3. Base Angle

Compliances, specifications and availability are subject to change without notice.

Project Name:	Prepared By:
Project Number:	Date:
Catalog Number:	Type:

## Single Receptacle

NEMA L16-30 30A, 3Ø 480V/AC, 3P-4W

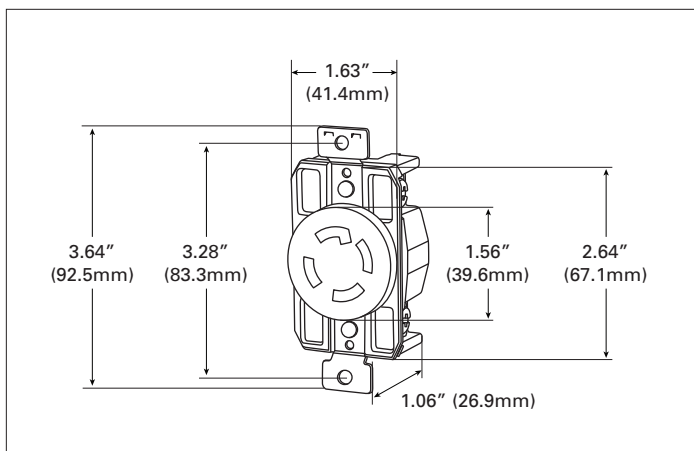
**Table 4. Specifications**

Catalog No.	NEMA L16-30 Single Receptacle
<b>NEMA Config</b>	NEMA L16-30
<b>Wiring Type</b>	Back & side wire
<b>Environmental Specifications</b>	<b>Flammability:</b> Meets UL94 requirements; V0 rated <b>Temperature Rating:</b> -40°C to 60°C (-40°F to 140°F)
<b>Electrical Specifications</b>	<b>Dielectric Voltage:</b> ≤300V: 2000V, 301-600V: 3000V per UL498 <b>Current Interrupting:</b> Yes, at full-rated current <b>Temperature Rise:</b> Max. 30°C (86°F) after 50 cycles of overload @ 150% of rated current (DC)
<b>Mechanical Specifications</b>	<b>Terminal Accommodation:</b> #14 - #8 AWG <b>Voltage Ratings:</b> Permanently marked on device

**Table 5. Materials**

Catalog No.	NEMA L16-30 Single Receptacle
<b>NEMA Config</b>	NEMA L16-30
<b>Face</b>	Glass-filled nylon
<b>Base</b>	Glass-filled nylon
<b>Mounting Strap</b>	0.050" thick steel, zinc plated
<b>Line Contacts</b>	0.041" thick brass
<b>Terminal Screws</b>	#10-32 brass, nickel plated (neutral screw)
<b>Ground Screw</b>	#10-32 brass (green)
<b>Terminal Clamps/Plates</b>	0.041" thick brass
<b>Ground Contacts</b>	0.041" thick brass
<b>Back Plate</b>	0.041" thick brass, nickel plated
<b>Mounting Screws</b>	Steel, zinc plated

## Product Dimensions



**Figure 4. AHL1630R**

Compliances, specifications and availability are subject to change without notice.



Project Name:	Prepared By:
Project Number:	Date:
Catalog Number:	Type:

## Flanged Outlet & Inlet

NEMA L16-30 30A, 3Ø 480V/AC, 3P-4W

Table 6. Specifications

Catalog No.	NEMA L16-30 Flanged Outlet	NEMA L16-30 Flanged Inlet
<b>NEMA Config</b>	NEMA L16-30	NEMA L16-30
<b>Wiring Type</b>	Back wire	Back wire
<b>Environmental Specifications</b>	<b>Flammability:</b> Meets UL94 requirements; V2 rated <b>Temperature Rating:</b> -40°C to 60°C (-40°F to 140°F)	<b>Flammability:</b> Meets UL94 requirements; V2 rated <b>Temperature Rating:</b> -40°C to 60°C (-40°F to 140°F)
<b>Electrical Specifications</b>	<b>Dielectric Voltage:</b> ≤300V: 2000V, 301-600V: 3000V per UL498 <b>Current Interrupting:</b> Yes, at full-rated current <b>Temperature Rise:</b> Max. 30°C (86°F) after 50 cycles of overload @ 150% of rated current (DC)	<b>Dielectric Voltage:</b> ≤300V: 2000V, 301-600V: 3000V per UL498 <b>Current Interrupting:</b> Yes, at full-rated current <b>Temperature Rise:</b> Max. 30°C (86°F) at max rated current
<b>Mechanical Specifications</b>	<b>Terminal Accommodation:</b> #14 - #8 AWG <b>Voltage Ratings:</b> Permanently marked on device	<b>Terminal Accommodation:</b> #14 - #8 AWG <b>Voltage Ratings:</b> Permanently marked on device

Table 7. Materials

Catalog No.	NEMA L16-30 Flanged Outlet	NEMA L16-30 Flanged Inlet
<b>NEMA Config</b>	NEMA L16-30	NEMA L16-30
<b>Outer Shell</b>	Nylon	Nylon
<b>Interior Body</b>	Nylon	Nylon
<b>Terminal Retainer</b>	Polycarbonate	Polycarbonate
<b>Blades</b>	N/A	0.062" thick brass
<b>Line Contacts</b>	0.031" thick brass	N/A
<b>Terminal Clamps</b>	Steel	Steel
<b>Terminal Screws</b>	#10-32 brass, nickel plated (neutral screw)	#10-32 brass, nickel plated (neutral screw)
<b>Ground Screw</b>	#10-32 brass (green)	#10-32 brass (green)
<b>Assembly Screws</b>	Steel, zinc plated	Steel, zinc plated
<b>Mounting Screws</b>	Steel, zinc plated	Steel, zinc plated

## Product Dimensions

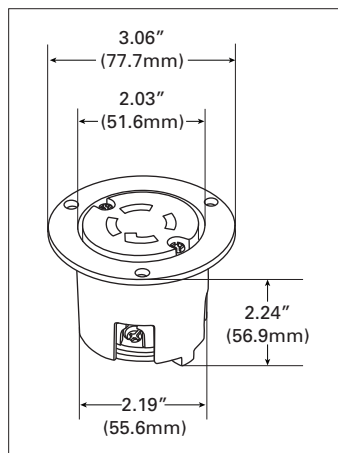


Figure 5. AHL1630FO

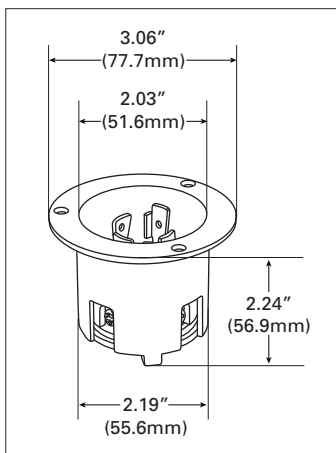


Figure 6. AHL1630FI

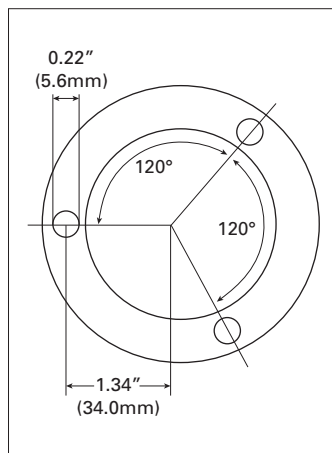







Figure 7. Top View


Compliances, specifications and availability are subject to change without notice.

Project Name:	Prepared By:
Project Number:	Date:
Catalog Number:	Type:

## Certifications & Compliances

Catalog No.					
AHL1630P	•			•	•
AHL1630C	•			•	•
AHL1630R		•	•	•	•
AHL1630FO		•	•	•	•
AHL1630FI	•			•	•

**KEY:**  cULus  UL  CSA  NAFTA  ROHS

 Parts are manufactured and designed in accordance with article 4 of the European Union's RoHS2 directive 2011/65/EU

**Compliances, specifications and availability are subject to change without notice.**

Electrical Sector  
203 Cooper Circle  
Peachtree City, GA 30269  
United States  
Eaton.com  
Arrowhart.com

Electrical Sector  
Canada Operations  
5925 McLaughlin Road  
Mississauga, Ontario, L5R 1B8  
Canada  
EatonCanada.ca  
Arrowhart.com

Electrical Sector  
Mexico Operations  
Carr. Tlalnepantla -  
Cuautitlan Km 178 s/n  
Col. Villa Jardin esq.  
Cerrada 8 de Mayo  
Cuautitlan, Mexico CP 54800  
Mexico  
Eaton.mx  
Arrowhart.com

**Eaton**  
1000 Eaton Boulevard  
Cleveland, OH 44122  
United States  
Eaton.com

© 2014 Eaton  
All Rights Reserved  
Printed in USA  
Publication No. 125-0102-13  
January 2014

Eaton is a registered trademark.

All other trademarks are property  
of their respective owners.