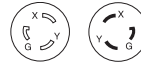


Industrial grade L6-20 locking devices

Project Name:	Prepared By:
Project Number:	Date:
Catalog Number:	Type:

Description

NEMA L6-20 20A, 250V/AC, 2P-3W



L6-20R L6-20P



AHL620P



AHL620C



AHL620R



AHL620FO

Design features for plug & connector

- All nylon construction
- EPDM gasket seals cord hole from dust and debris
- Back wire terminal clamps for easy secure wiring
- Individual wiring compartments with tapered channel for easy insertion of wires
- Clear cover over wiring compartments allows easy inspection of wiring terminations
- Rating printed on side of device
- Largest-in-class grommet size allows for entire cord size range

Design features for receptacles

- Rugged glass filled nylon body
- Clearly marked rating, NEMA configuration and approval listings on receptacle face
- One piece brass contacts offer superior performance and minimal heat rise
- Back and side wiring terminal clamps for easy, secure wiring

Design features for flanged inlet & outlet

- All nylon construction
- Mounting holes interchangeable with competitive units
- Back wire terminal clamps for easy, secure wiring
- Individual wiring compartments with tapered channel for easy insertion of wires

Table 1. NEMA L6-20 Industrial Grade Locking Devices

Catalog No.	Description	Amps	Volts	Color
□ AHL620P	Ultra grip plug	20	250	Black & white
□ AHL620C	Ultra grip connector	20	250	Black & white
□ AHL620R	Single receptacle	20	250	Black
□ AHIGL620R	Single receptacle, isolated ground	20	250	Orange
□ AHL620FO	Flanged outlet	20	250	Black & white
□ AHL620FI	Flanged inlet	20	250	Black & white

Compliances, specifications and availability are subject to change without notice.



Powering Business Worldwide

Project Name:	Prepared By:
Project Number:	Date:
Catalog Number:	Type:

Plug & Connector

NEMA L6-20 20A, 250V/AC, 2P-3W

Table 2. Specifications

Catalog No.	NEMA L6-20 Plug & Connector
NEMA Config	NEMA L6-20
Wiring Type	Back wire
Environmental Specifications	Flammability: Meets UL94 requirements; V2 rated Temperature Rating: -40°C to 60°C (-40°F to 140°F)
Electrical Specifications	Dielectric Voltage: Twice the device rating + 1000V per UL498 Current Interrupting: Yes, at full-rated current Temperature Rise: Max. 30°C (86°F) after 50 cycles of overload at 150% of rated current (DC)
Mechanical Specifications	Terminal Accommodation: #14 - #8 AWG Voltage Ratings: Permanently marked on device

Table 3. Materials

Catalog No.	NEMA L6-20 Plug & Connector
NEMA Config	NEMA L6-20
Outer Shell	Nylon
Interior Body	Nylon
Terminal Retainer	Polycarbonate
Blades	Brass
Line Contacts	Bronze, tin plated
Terminal Clamps	Steel, tin plated
Terminal Screws	#10-32 brass, zinc plated (neutral screw)
Ground Screw	#10-32 brass
Assembly Screws	Steel, nickel plated
Gasket/Dust Shield	EPDM
Cord Clamp Screws	Steel, nickel plated
Cord Clamp	Nylon

Product Dimensions

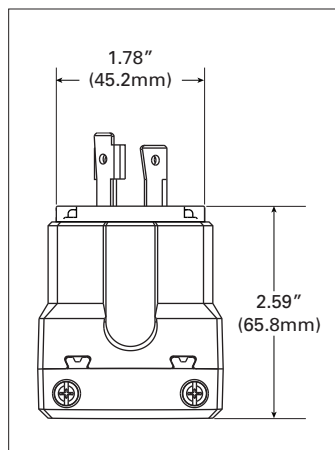


Figure 1. AHL620P

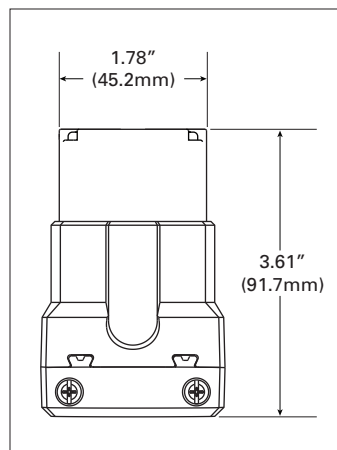


Figure 2. AHL620C

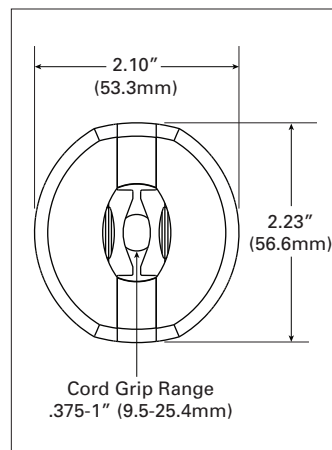


Figure 3. Base Angle

Compliances, specifications and availability are subject to change without notice.

Project Name:	Prepared By:
Project Number:	Date:
Catalog Number:	Type:

Single Receptacles

NEMA L6-20 20A, 250V/AC, 2P-3W

Table 4. Specifications

Catalog No.	NEMA L6-20 Single Receptacle	NEMA L6-20 Isolated Ground Single Receptacle
NEMA Config	NEMA L6-20	NEMA L6-20
Wiring Type	Back & side wire	Back & side wire
Environmental Specifications	Flammability: Meets UL94 requirements; V0 rated Temperature Rating: -40°C to 60°C (-40°F to 140°F)	Flammability: Meets UL94 requirements; V0 rated Temperature Rating: -40°C to 60°C (-40°F to 158°F)
Electrical Specifications	Dielectric Voltage: ≤300V: 2000V, 301-600V: 3000V per UL498 Current Interrupting: Yes, at full-rated current Temperature Rise: Max. 30°C (86°F) after 250 cycles of overload @ 200% of rated current (DC)	Dielectric Voltage: ≤300V: 2000V, 301-600V: 3000V per UL498 Current Interrupting: Yes, at full-rated current Temperature Rise: Max. 30°C (86°F) after 50 cycles of overload @ 150% of rated current (DC)
Mechanical Specifications	Terminal Accommodation: #14 - #8 AWG Voltage Ratings: Permanently marked on device	Terminal Accommodation: #14 - #8 AWG Voltage Ratings: Permanently marked on device

Table 5. Materials

Catalog No.	NEMA L6-20 Single Receptacle	NEMA L6-20 Isolated Ground Single Receptacle
NEMA Config	NEMA L6-20	NEMA L6-20
Face	Glass-filled nylon	Glass-filled nylon
Base	Glass-filled nylon	Glass-filled nylon
Mounting Strap	0.050" thick steel, zinc plated	0.050" thick steel, zinc plated
Line Contacts	0.041" thick brass	0.041" thick brass
Terminal Screws	#10-32 brass, nickel plated (neutral screw)	#10-32 brass, nickel plated (neutral screw)
Ground Screw	#10-32 brass (green)	#10-32 brass (green)
Terminal Clamps/Plates	0.041" thick brass	0.041" thick brass
Ground Contacts	0.041" thick brass	0.041" thick brass
Back Plate	0.041" thick brass, nickel plated	0.041" thick brass, nickel plated
Mounting Screws	Steel, zinc plated	Steel, zinc plated

Product Dimensions

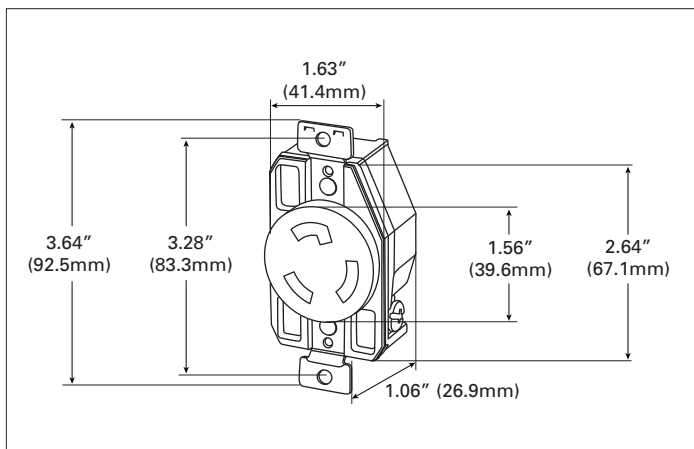


Figure 4. AHL620R

Compliances, specifications and availability are subject to change without notice.

Project Name:	Prepared By:
Project Number:	Date:
Catalog Number:	Type:

Flanged Outlet & Inlet

NEMA L6-20 20A, 250V/AC, 2P-3W

Table 6. Specifications

Catalog No.	NEMA L6-20 Flanged Outlet	NEMA L6-20 Flanged Inlet
NEMA Config	NEMA L6-20	NEMA L6-20
Wiring Type	Back wire	Back wire
Environmental Specifications	Flammability: Meets UL94 requirements; V2 rated Temperature Rating: -40°C to 60°C (-40°F to 140°F)	Flammability: Meets UL94 requirements; V2 rated Temperature Rating: -40°C to 60°C (-40°F to 140°F)
Electrical Specifications	Dielectric Voltage: ≤300V: 2000V, 301-600V: 3000V per UL498 Current Interrupting: Yes, at full-rated current Temperature Rise: Max. 30°C (86°F) after 50 cycles of overload @ 150% of rated current (DC)	Dielectric Voltage: ≤300V: 2000V, 301-600V: 3000V per UL498 Current Interrupting: Yes, at full-rated current Temperature Rise: Max. 30°C (86°F) @ maximum rated current (DC)
Mechanical Specifications	Terminal Accommodation: #14 - #8 AWG Voltage Ratings: Permanently marked on device	Terminal Accommodation: #14 - #8 AWG Voltage Ratings: Permanently marked on device

Table 7. Materials

Catalog No.	NEMA L6-20 Flanged Outlet	NEMA L6-20 Flanged Inlet
NEMA Config	NEMA L6-20	NEMA L6-20
Outer Shell	Nylon	Nylon
Interior Body	Nylon	Nylon
Terminal Retainer	Polycarbonate	Polycarbonate
Blades	N/A	0.062" thick brass
Line Contacts	0.031" thick bronze, tin plated	N/A
Terminal Clamps	Steel, tin plated	Steel, tin plated
Terminal Screws	#10-32 brass, nickel plated (neutral screw)	#10-32 brass, nickel plated (neutral screw)
Ground Screw	#10-32 brass (green)	#10-32 brass (green)
Assembly Screws	Steel, nickel plated	Steel, nickel plated
Mounting Screws	Steel, zinc plated	Steel, zinc plated

Product Dimensions

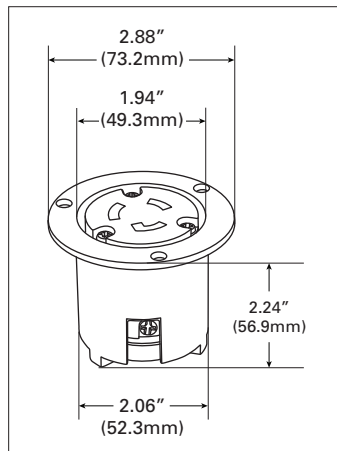


Figure 5. AHL620FO

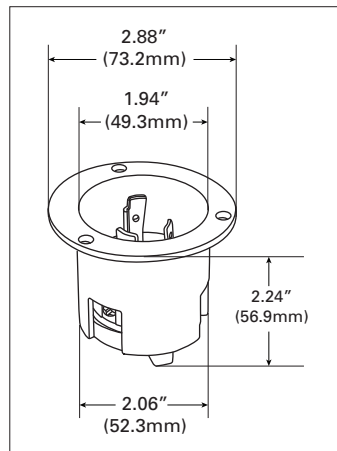


Figure 6. AHL620FI

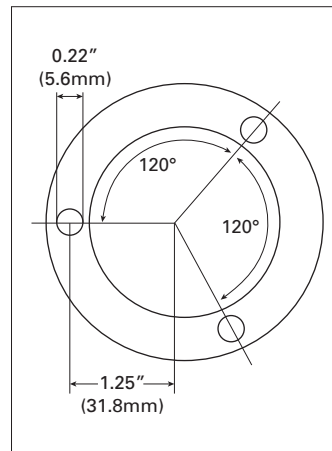









Figure 7. Top View


Compliances, specifications and availability are subject to change without notice.

Project Name:	Prepared By:
Project Number:	Date:
Catalog Number:	Type:

Certifications & Compliances

Catalog No.							
AHL620P	•						•
AHL620C	•						•
AHL620R		•	•	•	•	•	•
AHIGL620R		•	•		•	•	•
AHL620FO		•	•				•
AHL620FI	•						•

KEY:  cULus  UL  CSA  Fed Spec  NOM  NAFTA  ROHS

 Parts are manufactured and designed in accordance with article 4 of the European Union's RoHS2 directive 2011/65/EU

Compliances, specifications and availability are subject to change without notice.

Electrical Sector
203 Cooper Circle
Peachtree City, GA 30269
United States
Eaton.com
Arrowhart.com

Electrical Sector
Canada Operations
5925 McLaughlin Road
Mississauga, Ontario, L5R 1B8
Canada
EatonCanada.ca
Arrowhart.com

Electrical Sector
Mexico Operations
Carr. Tlalnepantla -
Cuautitlan Km 178 s/n
Col. Villa Jardin esq.
Cerrada 8 de Mayo
Cuautitlan, Mexico CP 54800
Mexico
Eaton.mx
Arrowhart.com

Eaton
1000 Eaton Boulevard
Cleveland, OH 44122
United States
Eaton.com

© 2014 Eaton
All Rights Reserved
Printed in USA
Publication No. 125-0076-13
January 2014

Eaton is a registered trademark.

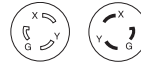
All other trademarks are property
of their respective owners.

Industrial grade L6-20 locking devices

Project Name:	Prepared By:
Project Number:	Date:
Catalog Number:	Type:

Description

NEMA L6-20 20A, 250V/AC, 2P-3W



L6-20R L6-20P



AHL620P



AHL620C



AHL620R



AHL620FO

Design features for plug & connector

- All nylon construction
- EPDM gasket seals cord hole from dust and debris
- Back wire terminal clamps for easy secure wiring
- Individual wiring compartments with tapered channel for easy insertion of wires
- Clear cover over wiring compartments allows easy inspection of wiring terminations
- Rating printed on side of device
- Largest-in-class grommet size allows for entire cord size range

Design features for receptacles

- Rugged glass filled nylon body
- Clearly marked rating, NEMA configuration and approval listings on receptacle face
- One piece brass contacts offer superior performance and minimal heat rise
- Back and side wiring terminal clamps for easy, secure wiring

Design features for flanged inlet & outlet

- All nylon construction
- Mounting holes interchangeable with competitive units
- Back wire terminal clamps for easy, secure wiring
- Individual wiring compartments with tapered channel for easy insertion of wires

Table 1. NEMA L6-20 Industrial Grade Locking Devices

Catalog No.	Description	Amps	Volts	Color
□ AHL620P	Ultra grip plug	20	250	Black & white
□ AHL620C	Ultra grip connector	20	250	Black & white
□ AHL620R	Single receptacle	20	250	Black
□ AHIGL620R	Single receptacle, isolated ground	20	250	Orange
□ AHL620FO	Flanged outlet	20	250	Black & white
□ AHL620FI	Flanged inlet	20	250	Black & white

Compliances, specifications and availability are subject to change without notice.



Powering Business Worldwide

Project Name:	Prepared By:
Project Number:	Date:
Catalog Number:	Type:

Plug & Connector

NEMA L6-20 20A, 250V/AC, 2P-3W

Table 2. Specifications

Catalog No.	NEMA L6-20 Plug & Connector
NEMA Config	NEMA L6-20
Wiring Type	Back wire
Environmental Specifications	Flammability: Meets UL94 requirements; V2 rated Temperature Rating: -40°C to 60°C (-40°F to 140°F)
Electrical Specifications	Dielectric Voltage: Twice the device rating + 1000V per UL498 Current Interrupting: Yes, at full-rated current Temperature Rise: Max. 30°C (86°F) after 50 cycles of overload at 150% of rated current (DC)
Mechanical Specifications	Terminal Accommodation: #14 - #8 AWG Voltage Ratings: Permanently marked on device

Table 3. Materials

Catalog No.	NEMA L6-20 Plug & Connector
NEMA Config	NEMA L6-20
Outer Shell	Nylon
Interior Body	Nylon
Terminal Retainer	Polycarbonate
Blades	Brass
Line Contacts	Bronze, tin plated
Terminal Clamps	Steel, tin plated
Terminal Screws	#10-32 brass, zinc plated (neutral screw)
Ground Screw	#10-32 brass
Assembly Screws	Steel, nickel plated
Gasket/Dust Shield	EPDM
Cord Clamp Screws	Steel, nickel plated
Cord Clamp	Nylon

Product Dimensions

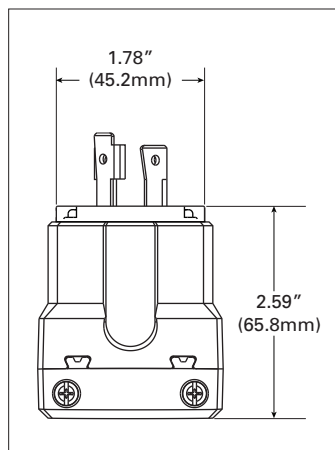


Figure 1. AHL620P

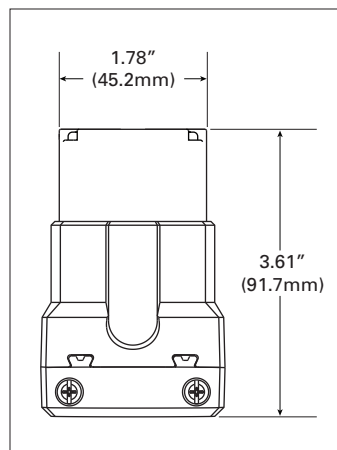


Figure 2. AHL620C

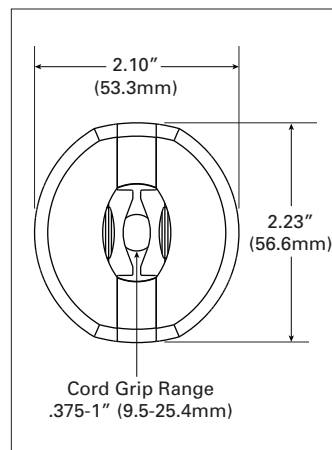


Figure 3. Base Angle

Compliances, specifications and availability are subject to change without notice.

Project Name:	Prepared By:
Project Number:	Date:
Catalog Number:	Type:

Single Receptacles

NEMA L6-20 20A, 250V/AC, 2P-3W

Table 4. Specifications

Catalog No.	NEMA L6-20 Single Receptacle	NEMA L6-20 Isolated Ground Single Receptacle
NEMA Config	NEMA L6-20	NEMA L6-20
Wiring Type	Back & side wire	Back & side wire
Environmental Specifications	Flammability: Meets UL94 requirements; V0 rated Temperature Rating: -40°C to 60°C (-40°F to 140°F)	Flammability: Meets UL94 requirements; V0 rated Temperature Rating: -40°C to 60°C (-40°F to 158°F)
Electrical Specifications	Dielectric Voltage: ≤300V: 2000V, 301-600V: 3000V per UL498 Current Interrupting: Yes, at full-rated current Temperature Rise: Max. 30°C (86°F) after 250 cycles of overload @ 200% of rated current (DC)	Dielectric Voltage: ≤300V: 2000V, 301-600V: 3000V per UL498 Current Interrupting: Yes, at full-rated current Temperature Rise: Max. 30°C (86°F) after 50 cycles of overload @ 150% of rated current (DC)
Mechanical Specifications	Terminal Accommodation: #14 - #8 AWG Voltage Ratings: Permanently marked on device	Terminal Accommodation: #14 - #8 AWG Voltage Ratings: Permanently marked on device

Table 5. Materials

Catalog No.	NEMA L6-20 Single Receptacle	NEMA L6-20 Isolated Ground Single Receptacle
NEMA Config	NEMA L6-20	NEMA L6-20
Face	Glass-filled nylon	Glass-filled nylon
Base	Glass-filled nylon	Glass-filled nylon
Mounting Strap	0.050" thick steel, zinc plated	0.050" thick steel, zinc plated
Line Contacts	0.041" thick brass	0.041" thick brass
Terminal Screws	#10-32 brass, nickel plated (neutral screw)	#10-32 brass, nickel plated (neutral screw)
Ground Screw	#10-32 brass (green)	#10-32 brass (green)
Terminal Clamps/Plates	0.041" thick brass	0.041" thick brass
Ground Contacts	0.041" thick brass	0.041" thick brass
Back Plate	0.041" thick brass, nickel plated	0.041" thick brass, nickel plated
Mounting Screws	Steel, zinc plated	Steel, zinc plated

Product Dimensions

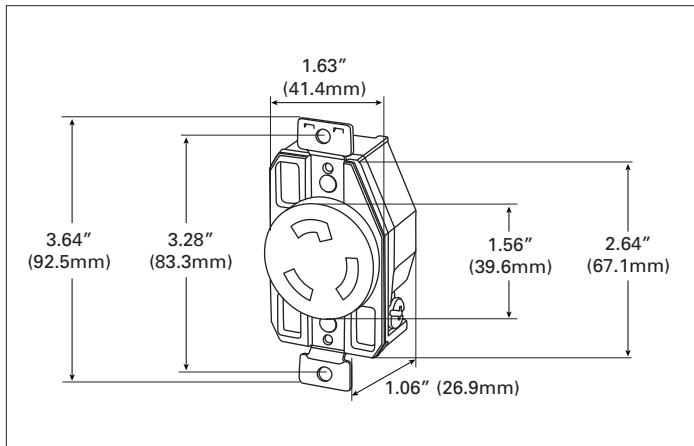


Figure 4. AHL620R

Compliances, specifications and availability are subject to change without notice.

Project Name:	Prepared By:
Project Number:	Date:
Catalog Number:	Type:

Flanged Outlet & Inlet

NEMA L6-20 20A, 250V/AC, 2P-3W

Table 6. Specifications

Catalog No.	NEMA L6-20 Flanged Outlet	NEMA L6-20 Flanged Inlet
NEMA Config	NEMA L6-20	NEMA L6-20
Wiring Type	Back wire	Back wire
Environmental Specifications	Flammability: Meets UL94 requirements; V2 rated Temperature Rating: -40°C to 60°C (-40°F to 140°F)	Flammability: Meets UL94 requirements; V2 rated Temperature Rating: -40°C to 60°C (-40°F to 140°F)
Electrical Specifications	Dielectric Voltage: ≤300V: 2000V, 301-600V: 3000V per UL498 Current Interrupting: Yes, at full-rated current Temperature Rise: Max. 30°C (86°F) after 50 cycles of overload @ 150% of rated current (DC)	Dielectric Voltage: ≤300V: 2000V, 301-600V: 3000V per UL498 Current Interrupting: Yes, at full-rated current Temperature Rise: Max. 30°C (86°F) @ maximum rated current (DC)
Mechanical Specifications	Terminal Accommodation: #14 - #8 AWG Voltage Ratings: Permanently marked on device	Terminal Accommodation: #14 - #8 AWG Voltage Ratings: Permanently marked on device

Table 7. Materials

Catalog No.	NEMA L6-20 Flanged Outlet	NEMA L6-20 Flanged Inlet
NEMA Config	NEMA L6-20	NEMA L6-20
Outer Shell	Nylon	Nylon
Interior Body	Nylon	Nylon
Terminal Retainer	Polycarbonate	Polycarbonate
Blades	N/A	0.062" thick brass
Line Contacts	0.031" thick bronze, tin plated	N/A
Terminal Clamps	Steel, tin plated	Steel, tin plated
Terminal Screws	#10-32 brass, nickel plated (neutral screw)	#10-32 brass, nickel plated (neutral screw)
Ground Screw	#10-32 brass (green)	#10-32 brass (green)
Assembly Screws	Steel, nickel plated	Steel, nickel plated
Mounting Screws	Steel, zinc plated	Steel, zinc plated

Product Dimensions

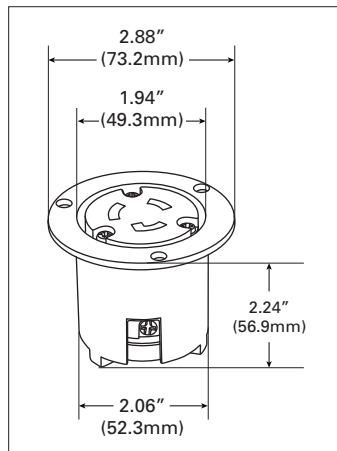


Figure 5. AHL620FO

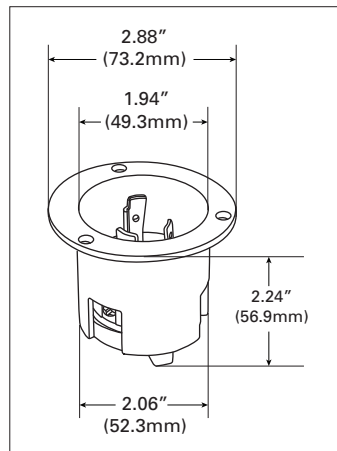


Figure 6. AHL620FI

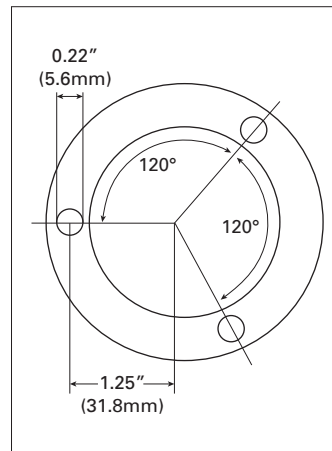









Figure 7. Top View


Compliances, specifications and availability are subject to change without notice.

Project Name:	Prepared By:
Project Number:	Date:
Catalog Number:	Type:

Certifications & Compliances

Catalog No.							
AHL620P	•						•
AHL620C	•						•
AHL620R		•	•	•	•	•	•
AHIGL620R		•	•		•	•	•
AHL620FO		•	•				•
AHL620FI	•						•

KEY:  cULus  UL  CSA  Fed Spec  NOM  NAFTA  ROHS

 Parts are manufactured and designed in accordance with article 4 of the European Union's RoHS2 directive 2011/65/EU

Compliances, specifications and availability are subject to change without notice.

Electrical Sector
203 Cooper Circle
Peachtree City, GA 30269
United States
Eaton.com
Arrowhart.com

Electrical Sector
Canada Operations
5925 McLaughlin Road
Mississauga, Ontario, L5R 1B8
Canada
EatonCanada.ca
Arrowhart.com

Electrical Sector
Mexico Operations
Carr. Tlalnepantla -
Cuautitlan Km 178 s/n
Col. Villa Jardin esq.
Cerrada 8 de Mayo
Cuautitlan, Mexico CP 54800
Mexico
Eaton.mx
Arrowhart.com

Eaton
1000 Eaton Boulevard
Cleveland, OH 44122
United States
Eaton.com

© 2014 Eaton
All Rights Reserved
Printed in USA
Publication No. 125-0076-13
January 2014

Eaton is a registered trademark.

All other trademarks are property
of their respective owners.