

# AJT Time-delay/Class J

## SmartSpot® with maximum circuit protection

Amp-Trap 2000® SmartSpot AJT fuses now provide a visual open fuse indicator. With advanced material technology the AJT fuse provides IEC Type 2 No Damage protection to main, feeder, and branch circuits, for all types of loads — yet, they require only half the mounting space needed for 600VAC Class RK fuses. AJT's time-delay characteristics are ideal for handling typical motor and transformer inrush currents, while also providing superior current-limiting ability.

### Features/Benefits:

- Solid state SmartSpot visual blown fuse indicator
- Time-delay for motor starting and transformer inrush
- 300kA interrupting rating - self-certified, UL witnessed tests
- Extremely current-limiting for low peak let-thru current
- Most current-limiting UL class fuse
- Recommended for Arc Flash energy reduction
- Small footprint requires less mounting space and allows smaller, more economical fuse blocks
- Easy 2-to-1 selectivity for prevention of nuisance shutdowns
- Unique Class J dimensions prevent replacement errors
- High-visibility orange label gives instant brand recognition
- Metal-embossed date and catalog number for traceability and lasting identification
- Fiberglass body provides dimensional stability in harsh industrial settings
- High-grade silica filler ensures fast arc quenching
- Optional EI indicator/switch mount for AJT70 to 600 open fuse indication

### Highlights:

- SmartSpot indicator
- Time-delay
- Highly current-limiting
- Arc Flash mitigating
- DC ratings
- Optional mechanical indicator (70 to 600A fuses)

### Applications:

- Motor circuits
- Mains
- Feeders
- Branch circuits
- Lighting, heating & general loads
- Transformers
- Control panels
- Circuit breaker back-up
- Bus duct
- Load centers

*Note: See motor fuse applications tables on page P7*



### Ratings:

**Volts** : 600VAC or less  
: 500VDC or less

**Amps** : 1 to 600A

**IR** : 200kA I.R. AC  
: 100kA I.R. DC

(Self-certified for 600VAC, 300kA I.R., UL witnessed).

### Approvals:

#### AJT (1-600):

- UL listed to standard 248-8 File E2137
- DC listed to UL standard 248
- CSA certified to standard C22.2 No. 248.8
- IEC 269-2-1

#### AJT (70-600) EI:

- UL listed
- DC tested to UL standard 248



# AJT Time-delay/Class J

## Catalog Numbers (amps)

|           |           |        |        |
|-----------|-----------|--------|--------|
| AJT1      | AJT4-1/2  | AJT25  | AJT125 |
| AJT1-1/4  | AJT5      | AJT30  | AJT150 |
| AJT1-1/2  | AJT5-6/10 | AJT35  | AJT175 |
| AJT1-6/10 | AJT6      | AJT40  | AJT200 |
| AJT1-8/10 | AJT6-1/4  | AJT45  | AJT225 |
| AJT2      | AJT7      | AJT50  | AJT250 |
| AJT2-1/4  | AJT8      | AJT60  | AJT300 |
| AJT2-1/2  | AJT9      | AJT70  | AJT350 |
| AJT2-8/10 | AJT10     | AJT80  | AJT400 |
| AJT3      | AJT12     | AJT90  | AJT450 |
| AJT3-2/10 | AJT15     | AJT100 | AJT500 |
| AJT3-1/2  | AJT17-1/2 | AJT110 | AJT600 |
| AJT4      | AJT20     |        |        |

Note: SmartSpot visual indicator is not available (1-7A)

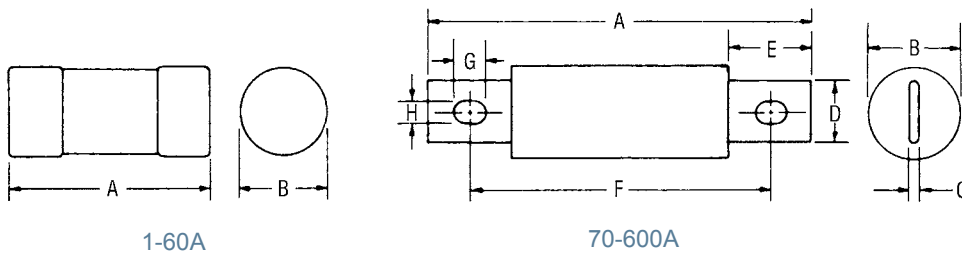
## Recommended Fuse Blocks With Box Connectors for Amp-Trap® Class J Fuses

| Fuse Ampere Rating | Catalog Number<br>600V or Less |        |
|--------------------|--------------------------------|--------|
|                    | 1 Pole                         | 3 Pole |
| 0-30               | US3J1I                         | US3J3I |
| 31-60              | US6J1I                         | US6J3I |
| 61-100             | 61036J                         | 61038J |
| 101-200            | 62001J                         | 62003J |
| 201-400            | 64031J                         | 64033J |
| 401-600            | 6631J                          | 6633J  |

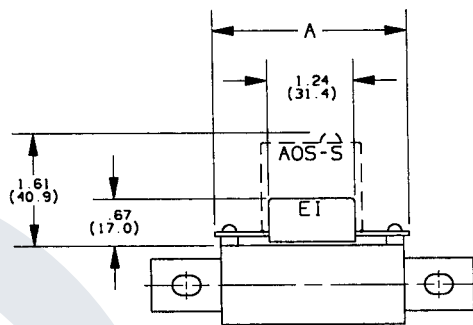
A variety of pole configurations and termination provisions are available, see section H.

## Dimensions

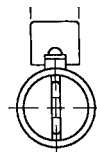
| Ampere Rating | A     |     | B      |    | C    |     | D     |    | E     |    | F     |     | G     |    | H     |    |
|---------------|-------|-----|--------|----|------|-----|-------|----|-------|----|-------|-----|-------|----|-------|----|
|               | in    | mm  | in     | mm | in   | mm  | in    | mm | in    | mm | in    | mm  | in    | mm | in    | mm |
| 1-30          | 2-1/4 | 57  | 13/16  | 21 | -    | -   | -     | -  | -     | -  | -     | -   | -     | -  | -     | -  |
| 31-60         | 2-3/8 | 60  | 1-1/16 | 27 | -    | -   | -     | -  | -     | -  | -     | -   | -     | -  | -     | -  |
| 61-100        | 4-5/8 | 117 | 1-1/16 | 27 | 1/8  | 3.2 | 3/4   | 19 | 1     | 25 | 3-5/8 | 92  | 3/8   | 10 | 9/32  | 7  |
| 101-200       | 5-3/4 | 146 | 1-5/8  | 41 | 3/16 | 4.8 | 1-1/8 | 29 | 1-3/8 | 35 | 4-3/8 | 111 | 3/8   | 10 | 9/32  | 7  |
| 201-400       | 7-1/8 | 181 | 2-1/8  | 54 | 1/4  | 6.3 | 1-5/8 | 41 | 1-7/8 | 48 | 5-1/4 | 133 | 17/32 | 14 | 13/32 | 10 |
| 401-600       | 8     | 203 | 2-1/2  | 64 | 3/8  | 9.5 | 2     | 51 | 2-1/8 | 54 | 6     | 152 | 11/16 | 18 | 17/32 | 13 |



## Optional Indicator/Microswitch Mount (EI) Dimensions:



Note: Fuses with the EI option are designed to work with the AOS-S or AOS-Q add-on switch, which is ordered separately. See page J6 for details.



| Catalog Number   | A              |
|------------------|----------------|
| AJT (70-100)-EI  | 2.8<br>(71.0)  |
| AJT (110-200)-EI | 3.22<br>(81.8) |
| AJT (225-400)-EI | 3.24<br>(82.2) |
| AJT (450-600)-EI | 3.61<br>(91.8) |

# AJT Time-delay/Class J

## SmartSpot® with maximum circuit protection

Amp-Trap 2000® SmartSpot AJT fuses now provide a visual open fuse indicator. With advanced material technology the AJT fuse provides IEC Type 2 No Damage protection to main, feeder, and branch circuits, for all types of loads — yet, they require only half the mounting space needed for 600VAC Class RK fuses. AJT's time-delay characteristics are ideal for handling typical motor and transformer inrush currents, while also providing superior current-limiting ability.

### Features/Benefits:

- Solid state SmartSpot visual blown fuse indicator
- Time-delay for motor starting and transformer inrush
- 300kA interrupting rating - self-certified, UL witnessed tests
- Extremely current-limiting for low peak let-thru current
- Most current-limiting UL class fuse
- Recommended for Arc Flash energy reduction
- Small footprint requires less mounting space and allows smaller, more economical fuse blocks
- Easy 2-to-1 selectivity for prevention of nuisance shutdowns
- Unique Class J dimensions prevent replacement errors
- High-visibility orange label gives instant brand recognition
- Metal-embossed date and catalog number for traceability and lasting identification
- Fiberglass body provides dimensional stability in harsh industrial settings
- High-grade silica filler ensures fast arc quenching
- Optional EI indicator/switch mount for AJT70 to 600 open fuse indication

### Highlights:

- SmartSpot indicator
- Time-delay
- Highly current-limiting
- Arc Flash mitigating
- DC ratings
- Optional mechanical indicator (70 to 600A fuses)

### Applications:

- Motor circuits
- Mains
- Feeders
- Branch circuits
- Lighting, heating & general loads
- Transformers
- Control panels
- Circuit breaker back-up
- Bus duct
- Load centers

*Note: See motor fuse applications tables on page P7*



### Ratings:

**Volts** : 600VAC or less  
: 500VDC or less

**Amps** : 1 to 600A

**IR** : 200kA I.R. AC  
: 100kA I.R. DC

(Self-certified for 600VAC, 300kA I.R., UL witnessed).

### Approvals:

#### AJT (1-600):

- UL listed to standard 248-8 File E2137
- DC listed to UL standard 248
- CSA certified to standard C22.2 No. 248.8
- IEC 269-2-1

#### AJT (70-600) EI:

- UL listed
- DC tested to UL standard 248



# AJT Time-delay/Class J

## Catalog Numbers (amps)

|           |           |        |        |
|-----------|-----------|--------|--------|
| AJT1      | AJT4-1/2  | AJT25  | AJT125 |
| AJT1-1/4  | AJT5      | AJT30  | AJT150 |
| AJT1-1/2  | AJT5-6/10 | AJT35  | AJT175 |
| AJT1-6/10 | AJT6      | AJT40  | AJT200 |
| AJT1-8/10 | AJT6-1/4  | AJT45  | AJT225 |
| AJT2      | AJT7      | AJT50  | AJT250 |
| AJT2-1/4  | AJT8      | AJT60  | AJT300 |
| AJT2-1/2  | AJT9      | AJT70  | AJT350 |
| AJT2-8/10 | AJT10     | AJT80  | AJT400 |
| AJT3      | AJT12     | AJT90  | AJT450 |
| AJT3-2/10 | AJT15     | AJT100 | AJT500 |
| AJT3-1/2  | AJT17-1/2 | AJT110 | AJT600 |
| AJT4      | AJT20     |        |        |

Note: SmartSpot visual indicator is not available (1-7A)

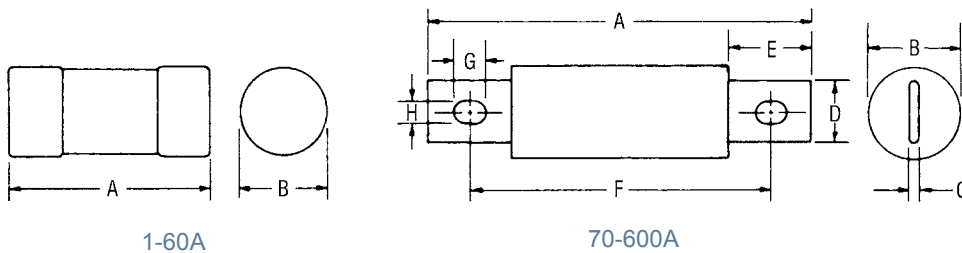
## Recommended Fuse Blocks With Box Connectors for Amp-Trap® Class J Fuses

| Fuse Ampere Rating | Catalog Number<br>600V or Less |        |
|--------------------|--------------------------------|--------|
|                    | 1 Pole                         | 3 Pole |
| 0-30               | US3J1I                         | US3J3I |
| 31-60              | US6J1I                         | US6J3I |
| 61-100             | 61036J                         | 61038J |
| 101-200            | 62001J                         | 62003J |
| 201-400            | 64031J                         | 64033J |
| 401-600            | 6631J                          | 6633J  |

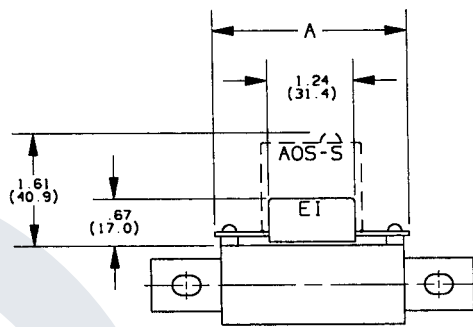
A variety of pole configurations and termination provisions are available, see section H.

## Dimensions

| Ampere Rating | A     |     | B      |    | C    |     | D     |    | E     |    | F     |     | G     |    | H     |    |
|---------------|-------|-----|--------|----|------|-----|-------|----|-------|----|-------|-----|-------|----|-------|----|
|               | in    | mm  | in     | mm | in   | mm  | in    | mm | in    | mm | in    | mm  | in    | mm | in    | mm |
| 1-30          | 2-1/4 | 57  | 13/16  | 21 | -    | -   | -     | -  | -     | -  | -     | -   | -     | -  | -     | -  |
| 31-60         | 2-3/8 | 60  | 1-1/16 | 27 | -    | -   | -     | -  | -     | -  | -     | -   | -     | -  | -     | -  |
| 61-100        | 4-5/8 | 117 | 1-1/16 | 27 | 1/8  | 3.2 | 3/4   | 19 | 1     | 25 | 3-5/8 | 92  | 3/8   | 10 | 9/32  | 7  |
| 101-200       | 5-3/4 | 146 | 1-5/8  | 41 | 3/16 | 4.8 | 1-1/8 | 29 | 1-3/8 | 35 | 4-3/8 | 111 | 3/8   | 10 | 9/32  | 7  |
| 201-400       | 7-1/8 | 181 | 2-1/8  | 54 | 1/4  | 6.3 | 1-5/8 | 41 | 1-7/8 | 48 | 5-1/4 | 133 | 17/32 | 14 | 13/32 | 10 |
| 401-600       | 8     | 203 | 2-1/2  | 64 | 3/8  | 9.5 | 2     | 51 | 2-1/8 | 54 | 6     | 152 | 11/16 | 18 | 17/32 | 13 |



## Optional Indicator/Microswitch Mount (EI) Dimensions:



Note: Fuses with the EI option are designed to work with the AOS-S or AOS-Q add-on switch, which is ordered separately. See page J6 for details.

| Catalog Number   | A              |
|------------------|----------------|
| AJT (70-100)-EI  | 2.8<br>(71.0)  |
| AJT (110-200)-EI | 3.22<br>(81.8) |
| AJT (225-400)-EI | 3.24<br>(82.2) |
| AJT (450-600)-EI | 3.61<br>(91.8) |