



SPECIFICATIONS
AK55LHSG
 EXHAUST FAN HOUSING

Combination Heater Housing

• **Fan Housing**

23 gauge galvanized steel housing.
 Dimensions 14½" x 8⅜" x 6½".

• **Duct Collar**

4" round, zinc plated metal collar adapter with aluminum backdraft damper.

• **Unit Mounting**

Designed for ceilings insulated to R-40. Designed to mount in ceilings with at least 7½" of clearance. The unit will mount between joists (with 16" centers) or butted up against a joist. The housing will mount through drywall thickness up to ¾", with a rough in opening of 14¾" x 8⅝".

• **Electrical Connections**

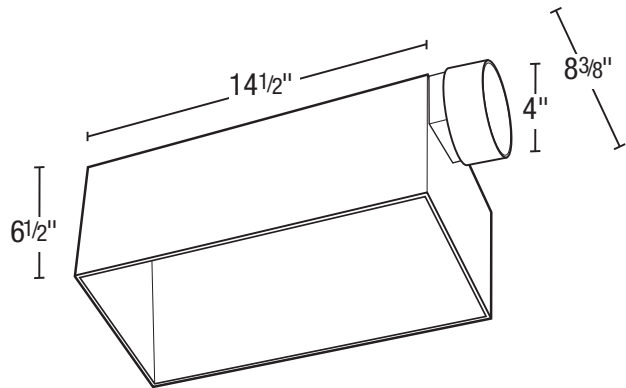
½" electrical knockouts provided.

• **Available Trim Kits**

AK55LT: 150 CFM

• **Shipping Info**

Number of Housings in Box: 1
 UPC Code: 083162901019



Housing ONLY. Must be combined with AK55LT trim kit (sold separately)

PROJECT					ARCHITECT				
LOCATION					ENGINEER				
CONTRACTOR					SUBMITTED BY			DATE	
FAN NUMBER	MODEL NUMBER	CFM	IN W.G.	RPM	WATTS	AMPS	SONES	QTY	OPTIONAL EQUIPMENT & REMARKS



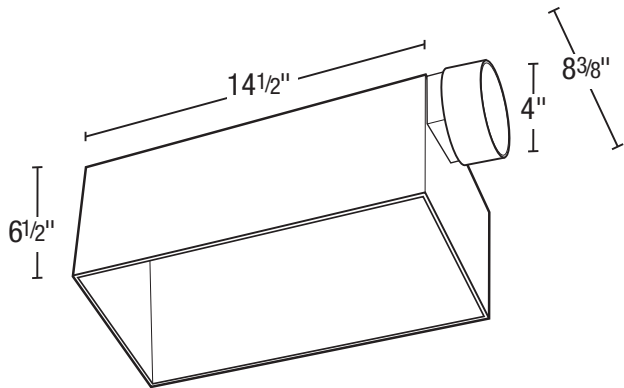
820 Lincoln Avenue
 West Chester, Pennsylvania 19380-4466
 Tel: (610) 692-7400 • 877-304-3785
 Fax: (610) 696-8048



SPECIFICATIONS
AK55LHSG
 EXHAUST FAN HOUSING

Combination Heater Housing

- **Fan Housing**
 23 gauge galvanized steel housing.
 Dimensions 14½" x 8⅜" x 6½".
- **Duct Collar**
 4" round, zinc plated metal collar adapter with aluminum backdraft damper.
- **Unit Mounting**
 Designed for ceilings insulated to R-40. Designed to mount in ceilings with at least 7½" of clearance. The unit will mount between joists (with 16" centers) or butted up against a joist. The housing will mount through drywall thickness up to ¾", with a rough in opening of 14¾" x 8⅝".
- **Electrical Connections**
 ½" electrical knockouts provided.
- **Available Trim Kits**
AK55LT: 150 CFM
- **Shipping Info**
 Number of Housings in Box: 1
 UPC Code: 083162901019



Housing ONLY. Must be combined with AK55LT trim kit (sold separately)

PROJECT					ARCHITECT				
LOCATION					ENGINEER				
CONTRACTOR					SUBMITTED BY			DATE	
FAN NUMBER	MODEL NUMBER	CFM	IN W.G.	RPM	WATTS	AMPS	SONES	QTY	OPTIONAL EQUIPMENT & REMARKS



820 Lincoln Avenue
 West Chester, Pennsylvania 19380-4466
 Tel: (610) 692-7400 • 877-304-3785
 Fax: (610) 696-8048