

DESCRIPTION

The ALL-PRO™ Fluorescent Safety and Security light is a dependable and reliable outdoor security lighting solution. This product is an easy to install, high quality and durable lighting solution ideal for residential and commercial applications. Perfect for lighting dark, secluded areas or any place where a medium to large concentration of light is needed.

Catalog #		Type
Project		
Comments		Date
Prepared by		

SPECIFICATION FEATURES

Construction

- Heavy duty corrosion-resistant die-cast metal housing
- High impact lens
- Suitable for wall or pole mounting applications

Electrical

- 8,000 hours of life
- Fixture operating temperature range from -15°C to 40°C
- Integral dusk to dawn photo control included
- Electrical operating voltage 120VAC 50/60Hz
- cULus listed for Wet locations

Optical

- 65W Fluorescent, mogul base bulb required
- Bulb rated lumens of 3600
- Available 6500K

Warranty

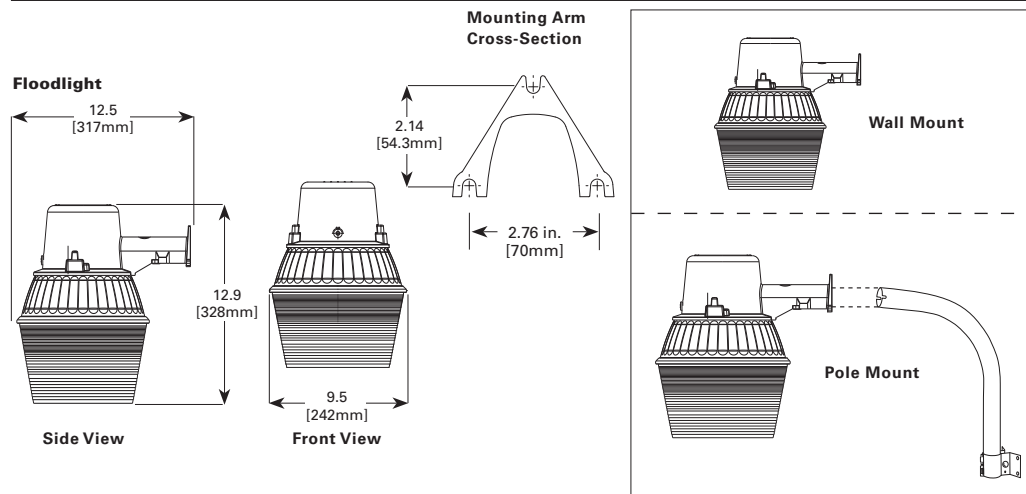
Two-year limited warranty.



FLUORESCENT SAFETY AND SECURITY LIGHT

Security Floodlight

DIMENSIONS



TECHNICAL INFORMATION

Model	Description	Voltage	Power	*Lamp Lumens	Color Temperature (K)
AL6501FL	65W Fluorescent Area Light	120V	65	3600	6500K

*Not fixture delivered lumens

CERTIFICATION DATA
UL/CUL Wet Location Listed

TECHNICAL DATA
120V only
-15°C Temperature Rating
External Supply Wiring 90 C Minimum
Wall and Pole Mount

For complete product data, reference the Fluorescent Specification binder. Specifications & dimensions subject to change without notice. Consult your Eaton Representative for availability and ordering information.



DESCRIPTION

The ALL-PRO™ Fluorescent Safety and Security light is a dependable and reliable outdoor security lighting solution. This product is an easy to install, high quality and durable lighting solution ideal for residential and commercial applications. Perfect for lighting dark, secluded areas or any place where a medium to large concentration of light is needed.

Catalog #		Type
Project		
Comments		Date
Prepared by		

SPECIFICATION FEATURES

Construction

- Heavy duty corrosion-resistant die-cast metal housing
- High impact lens
- Suitable for wall or pole mounting applications

Electrical

- 8,000 hours of life
- Fixture operating temperature range from -15°C to 40°C
- Integral dusk to dawn photo control included
- Electrical operating voltage 120VAC 50/60Hz
- cULus listed for Wet locations

Optical

- 65W Fluorescent, mogul base bulb required
- Bulb rated lumens of 3600
- Available 6500K

Warranty

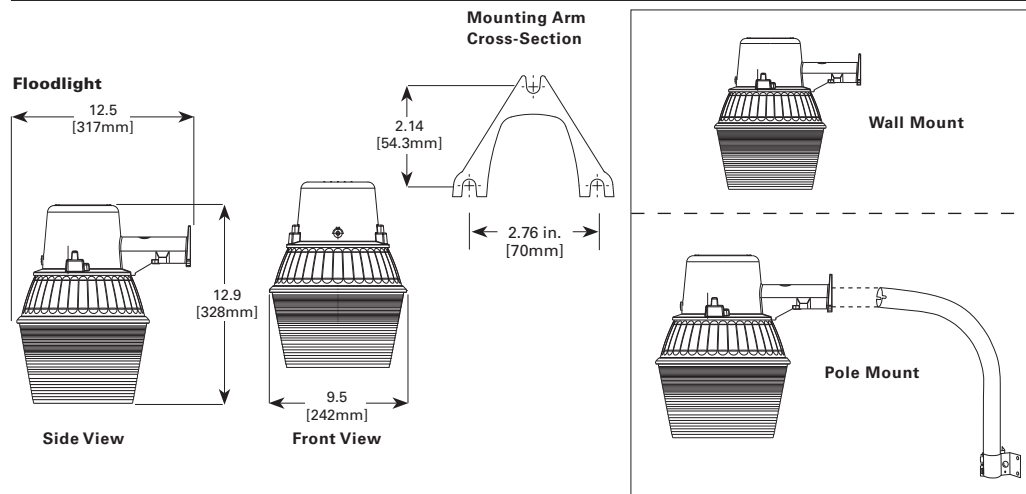
Two-year limited warranty.



FLUORESCENT SAFETY AND SECURITY LIGHT

Security Floodlight

DIMENSIONS



TECHNICAL INFORMATION

Model	Description	Voltage	Power	*Lamp Lumens	Color Temperature (K)
AL6501FL	65W Fluorescent Area Light	120V	65	3600	6500K

*Not fixture delivered lumens

CERTIFICATION DATA

UL/CUL Wet Location Listed

TECHNICAL DATA

120V only
 -15°C Temperature Rating
 External Supply Wiring 90 C Minimum
 Wall and Pole Mount

For complete product data, reference the Fluorescent Specification binder. Specifications & dimensions subject to change without notice. Consult your Eaton Representative for availability and ordering information.

