

xEnergy Basic Low-voltage Distribution boards up to 630 A



EATON

Powering Business Worldwide



Energizing a world that demands more.

We deliver:

- **Electrical solutions** that use less energy, improve power reliability and make the places we live and work safer and more comfortable
- **Hydraulic and electrical solutions** that enable machines to deliver more productivity without wasting power
- **Aerospace solutions** that make aircraft lighter, safer and less costly to operate, and help airports operate more efficiently
- **Vehicle drivetrain and powertrain solutions** that deliver more power to cars, trucks and buses, while reducing fuel consumption and emissions

Discover today's Eaton.

Powering business worldwide

As a global power management company, we help customers worldwide manage the power needed for buildings, aircraft, trucks, cars, machinery and businesses.

Eaton's innovative technologies help customers manage electrical, hydraulic and mechanical power more reliably, efficiently, safely and sustainably.

We provide integrated solutions that help make energy, in all its forms, more practical and accessible.

With 2016 sales \$19.7 billion, Eaton has approximately 95,000 employees around the world and sells products in more than 175 countries.

Eaton.com

EATON

Powering Business Worldwide

Table of Contents - xEnergy Basic

Wall-mounted enclosures EWS, IP43 for EP installation units	
) EWS wall-mounted enclosures	Page 21
Wall-mounted enclosures EWP, IP54 for EP installation units	
) EWP wall-mounted enclosures	Page 32
Accessories EWS/EWP	
) Additional equipment/spare parts	Page 43
Floor-standing enclosures BPM, IP54 for EP installation units	
) BPM floor-standing enclosures	Page 49
Installation system EP	
) EP installation system	Page 56
Wall-mounted enclosures BP-O, IP30 for Profi+ installation units	
) BP-O wall-mounted enclosures	Page 89
Wall-mounted enclosures BPM-O, IP54 for Profi+ installation units	
) BPM-O wall-mounted enclosures	Page 108
Flush-mounted enclosures BP-U, IP30 for Profi+ installation units	
) BP-U flush-mounted enclosures	Page 112
Floor-standing enclosures BP-F, IP30 for Profi+ installation units	
) BP-F floor-standing enclosures	Page 124
Floor-standing enclosures BPM-F, IP54 for Profi+ installation units	
) BPM-F floor-standing enclosures	Page 134
Installation system Profi+	
) Profi+ installation system	Page 150
Technical pages BP accessories and Profi+ installation system	
) BP accessories and Profi+ installation system	Page 186

xEnergy Basic

Wall-mounted and floor-standing enclosures for electrical distribution up to 630A



The smallest distribution board of our xEnergy family is the most flexible and variable system in the entire range. The diversity of different types and sizes makes the use in almost every application possible. Thanks to its certification as low-voltage distribution board intended to be operated by ordinary persons acc. to IEC/EN 61439-1/3 as well as to IEC/EN 62208, the xEnergy B is the first choice for electrical distribution in residential and functional buildings.

Benefits:

- Wide range of products
- Pre-assembled or flat-pack
- The interior is completely flexible
- Large number of accessories
- Mounting kits are compatible with other products

Features:

- Sheet steel enclosure polyester powder-coated (grey or white)
- Floor-standing, surface-mounted or flush-mounted version
- Three different ways of assembling the interior fitting
- Degree of protection IP30, IP43 or IP54
- Impact resistance IK07
- Protection class I

xEnergy Light

Power distribution board and control panel up to 1600A



The proven xEnergy Light cabinet system is suitable for a wide range of applications. Thanks to its incredible versatility, xEnergy Light can be used both as a power distribution board and as a control panel in industrial applications and in functional buildings.

The robust 2mm thick, multiple-folded sheet-steel frame provides the stability required for any application, in stand-alone enclosures as well as in add-on enclosures which are common in power distribution.

Flat-pack orders allow for space-saving and therefore cost-efficient deliveries. xEnergy Light can also be ordered as a pre-assembled cabinet. xEnergy Light meets of course the requirements of the latest IEC 61439/1-3 and IEC/EN 62208 standards.

Benefits:

- Pre-assembled or flat-pack
- Wide range of enclosure sizes to choose from
- Easy to handle
- Robust frame construction
- Flexible and easy to mount
- Same screw head throughout the system
- Corrosion-resistant powder coating
- Straight-forward industrial design

Features:

- IEC 61439/1-3 and IEC/EN 62208
- Combination options with different installation systems such as EP, xEnergy Light, SASY60i,..
- Degree of protection IP40 and IP55
- Stand-alone cabinet or add-on system
- Foam-shaped door sealings
- Consistent system up to 1600A

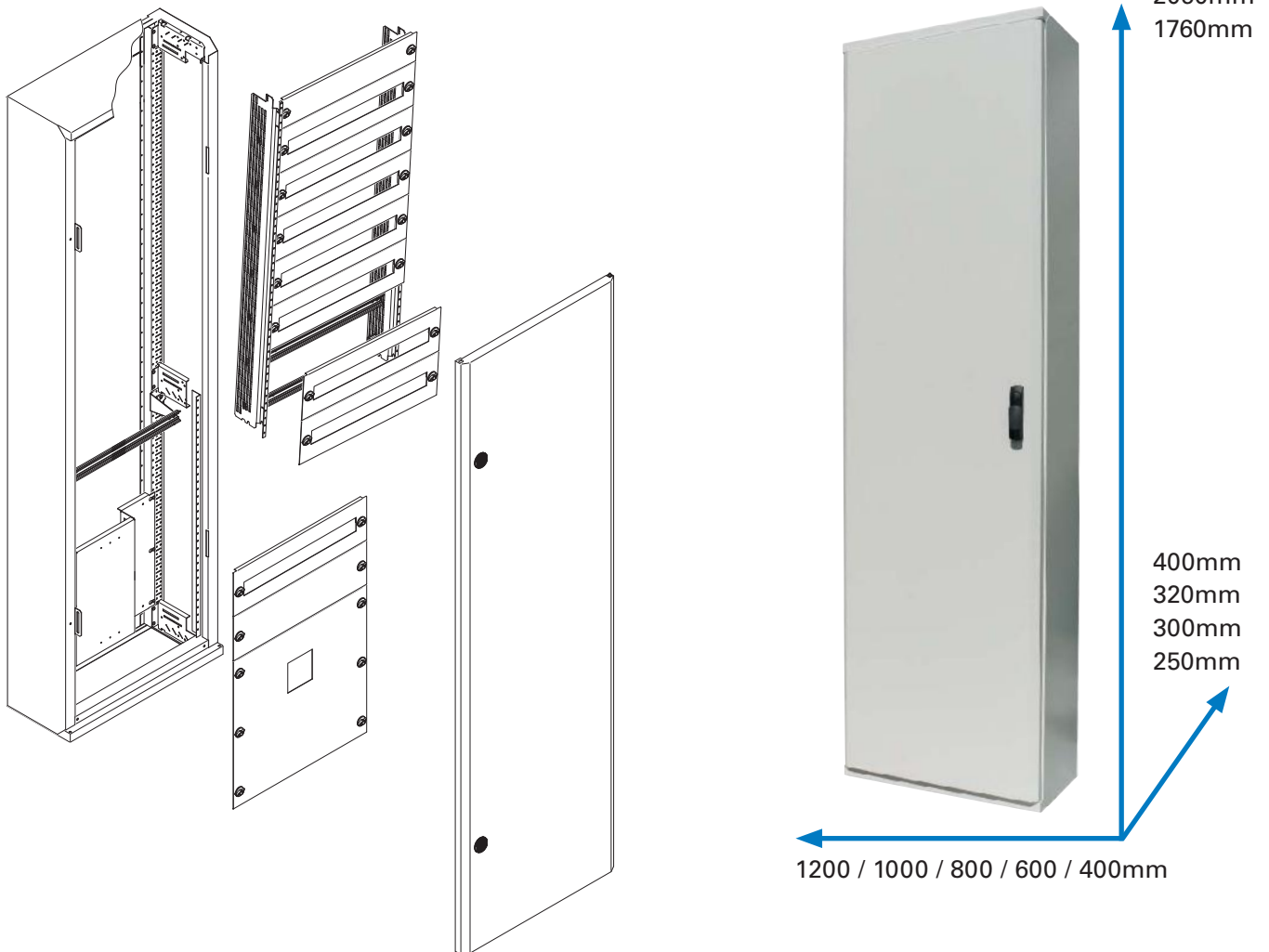
xEnergy Basic

Floor-standing cabinet IP30 / IP54

Typical applications for that kind of cabinet:

- Sub-distribution board in functional buildings like hotels, offices, shopping centers, schools and hospitals...
- Multiple meter applications in residential buildings
- Control cabinet in small manufacturing areas

System architecture (IP30 design)



Key-features / Sales arguments:

- Robust welded construction
- RAL 7035 (grey) or RAL 9016 (white)
- Transparent or non-transparent door version available
- Two different locking mechanism
- Variable interior fitting
- Divisible interior space for different compartments (vertical section)
- Flexible DIN-rail installation possible
- Universal mounting plates
- NZM/BZM mounting kits
- SASY 60i busbar system capable of being integrated
- Components for clear and organized wiring routing
- Front cover latch with self-acting earth connection

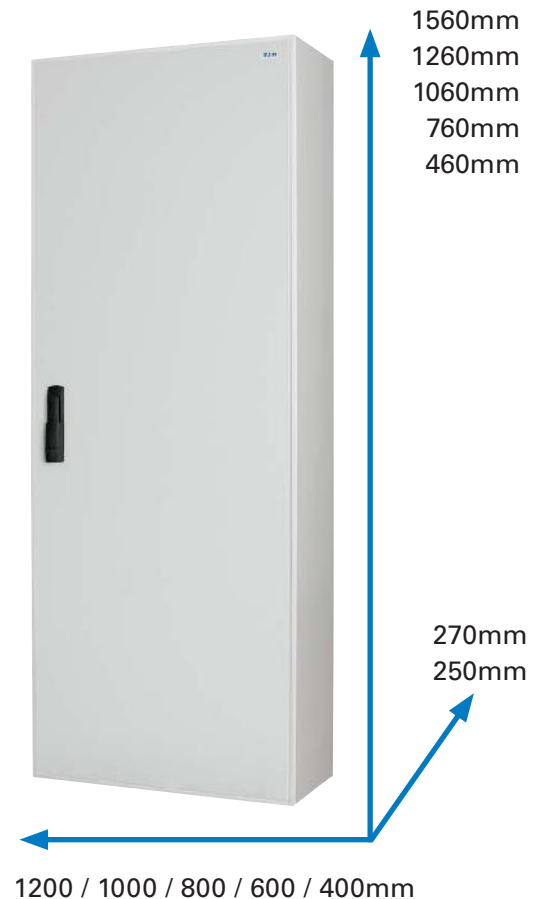
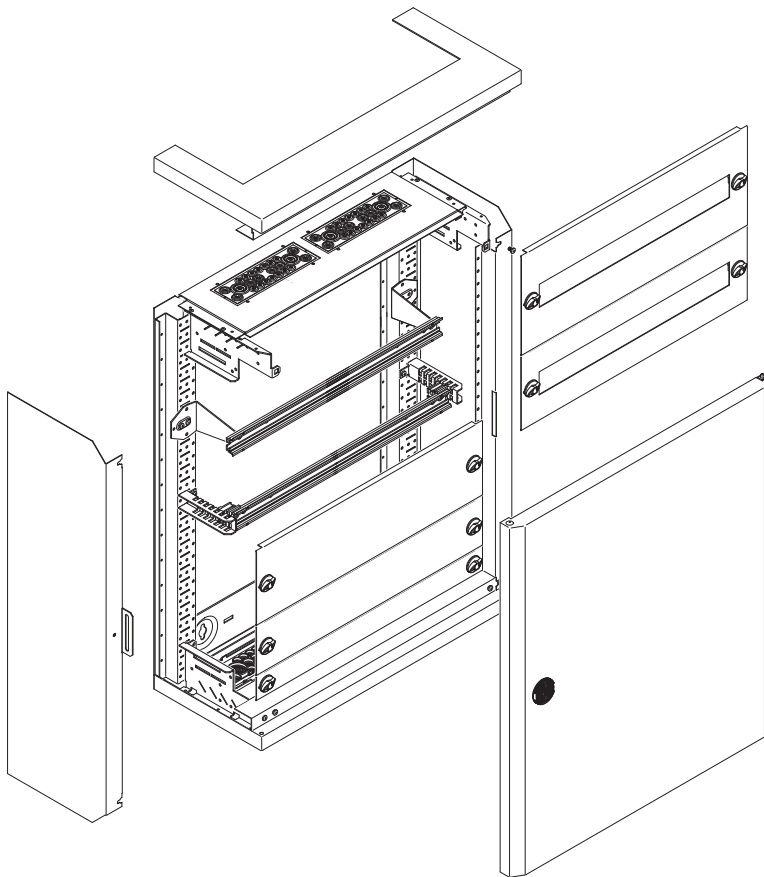
xEnergy Basic

Surface-mounted cabinet IP30 / IP54

Typical applications for that kind of cabinet:

- Sub-distribution board in functional buildings like hotels, offices, shopping centers, schools and hospitals...
- Combined meter and distribution cabinet in classic households and apartments

System architecture (IP30 design)



Key-features / Sales arguments:

- Individual components as flat-pack (IP30)
- Robust welded construction (IP54)
- RAL 7035 (grey) or RAL 9016 (white)
- Transparent or non-transparent door version available
- Two different locking mechanism
- Variable interior fitting
- Divisible interior space for different compartments (vertical section)
- Flexible DIN-rail installation possible
- Universal mounting plates
- NZM/BZM mounting kits
- SASY 60i busbar system capable of being integrated
- Components for clear and organized wiring routing
- Front cover latch with self-acting earth connection

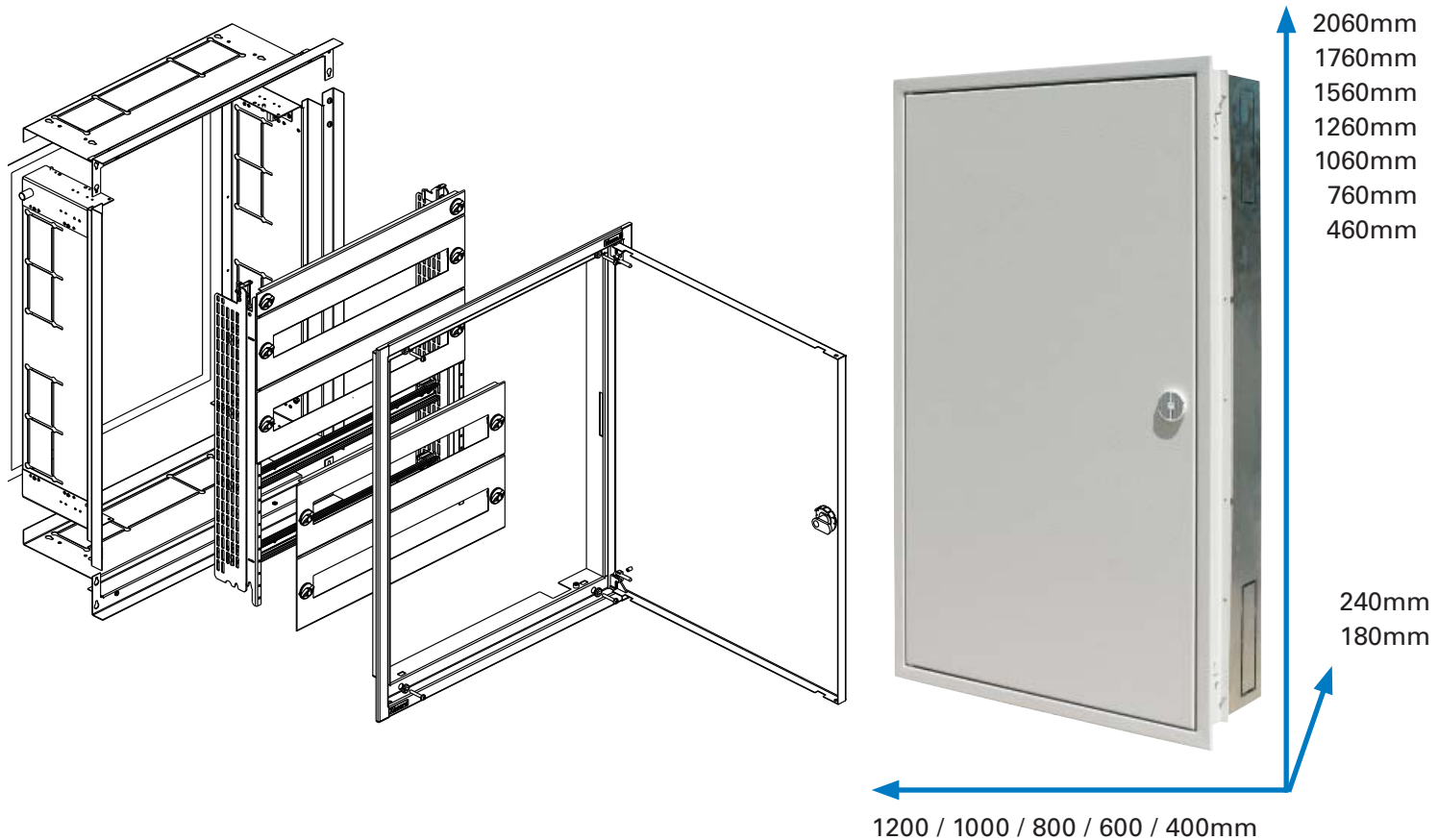
xEnergy Basic

Flush-mounted cabinet IP30 / IP43 / IP54

Typical applications for that kind of cabinet:

- Sub-distribution board in functional buildings like hotels, offices, shopping centers, schools and hospitals...
- Combined meter and distribution cabinet in classic households and apartments
- Installation in the outdoor area of a house/building for public access (e.g. energy provider)

System architecture (IP30 design)



Key-features / Sales arguments:

- 3-step-system consists of wall-box, door + frame and mounting insert
- Aluminium construction for outside wall installation available
- Individual configurable
- RAL 7035 (grey) or RAL 9016 (white)
- Two different locking mechanism
- Flexible DIN-rail installation possible
- Universal mounting plates
- NZM/BZM mounting kits
- SASY 60i busbar system capable of being integrated
- Components for clear and structured wiring routing
- Front cover latch with self-acting earth connection

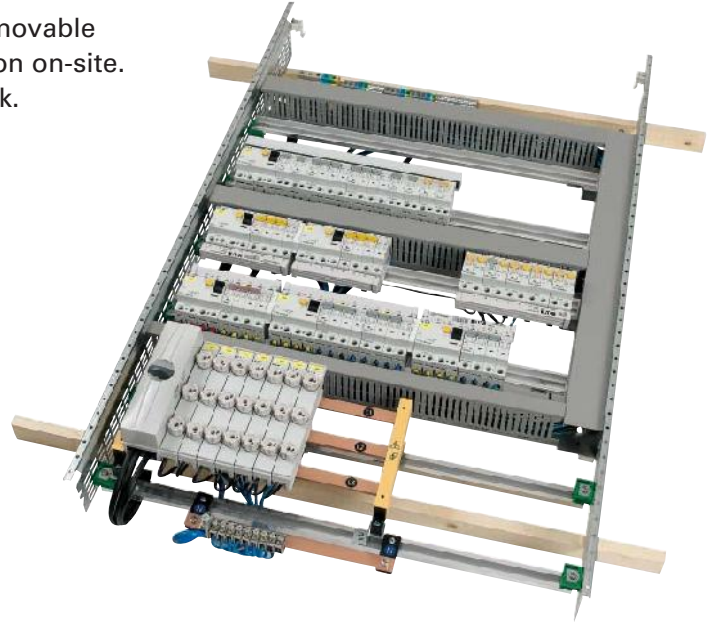
Different ways of assembling the interior fitting

Option 1: using "MSW" for simple wiring in the workshop

Efficient pre-installation in the workshop thanks to our removable mounting insert (BPZ-MSW) guarantees smooth connection on-site. All connection points are fully accessible and easy to check.

Benefits:

- Fast and reliable
- Time-saving solution
- Easy access from 360° view
- No housing around the insert



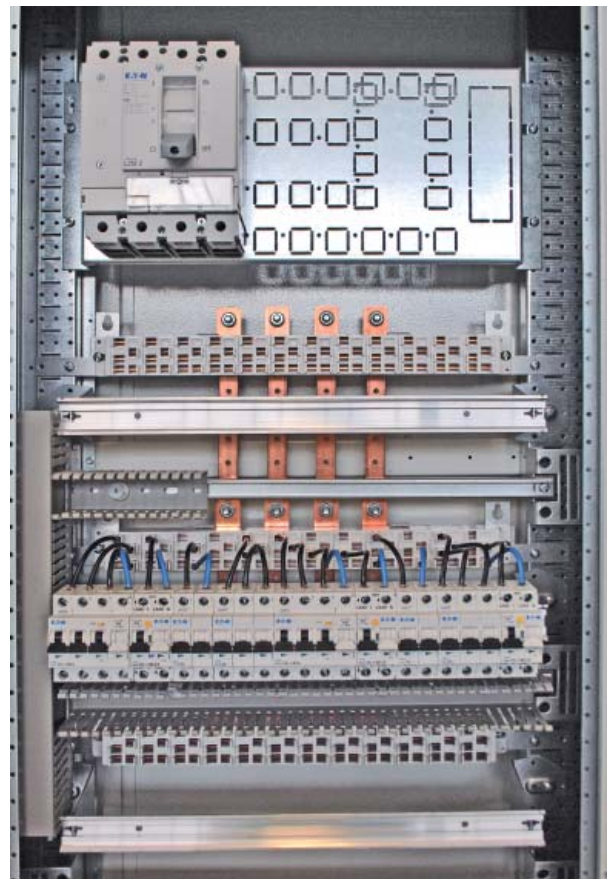
Option 2: using fixed installation material for direct mounting inside the enclosure

Well-considered cabling and connection work directly in the enclosure thanks to different components for a clear and structured "multilayer" assembling.

All interior parts are directly linked to the installation profiles on the back side of the enclosure.

Benefits:

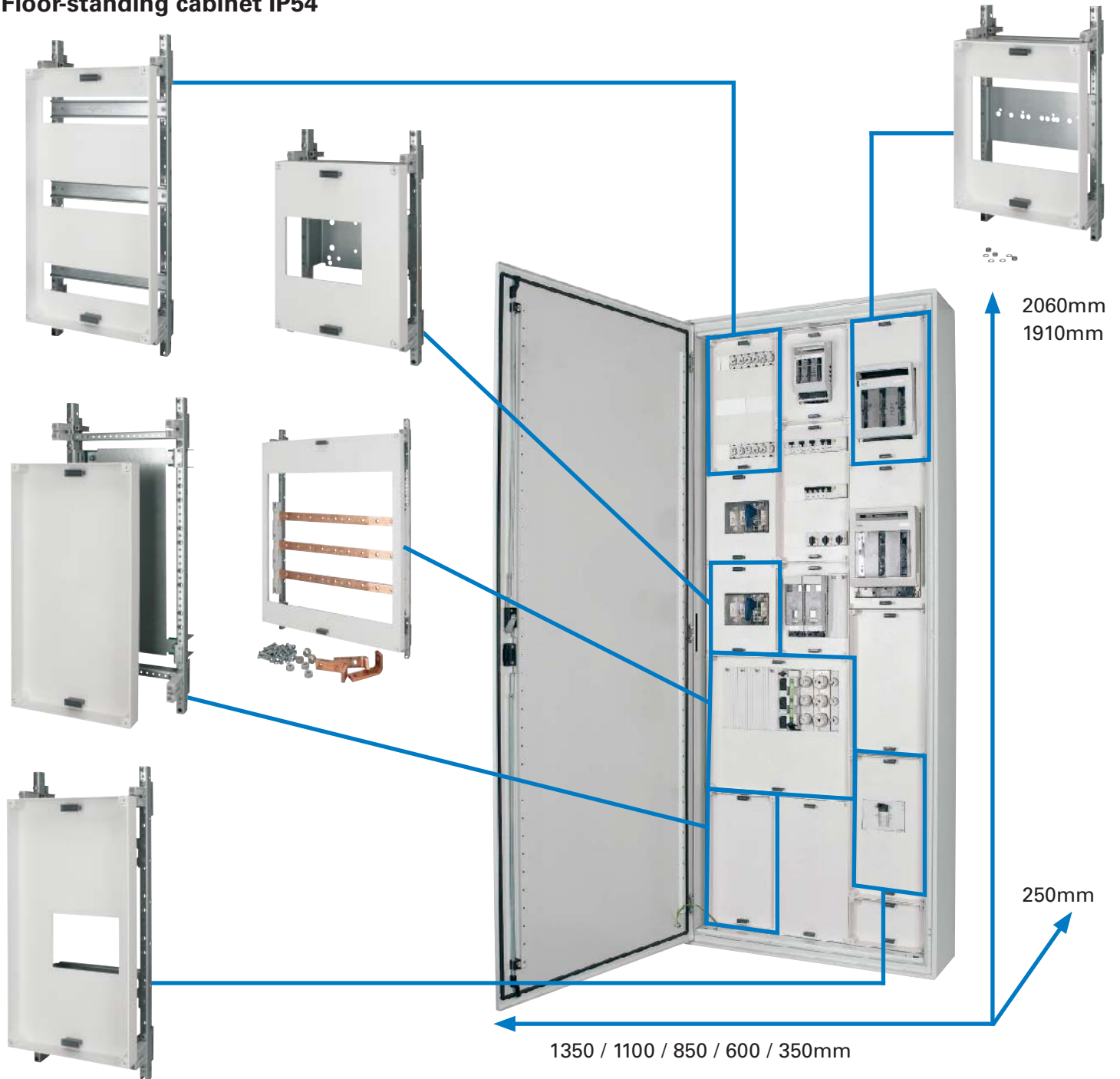
- Robust design
- Multilayer assembling possible
- Internal connection to separate cable room / busbar compartment
- Mounting kits for multiple MCCB installation available



xEnergy Basic with standardized fitting-system EP

Option 3: using standardized modules for a clear and structured planning

Floor-standing cabinet IP54



Key-features / Sales arguments:

- Based on standard floor-standing cabinet IP54
- Prepared for standardized fitting-system EP
- Efficient in planning and project development phase
- Flexible and easy-to-mount design
- Wide range of different modules for MCBs / MCCBs / busbar systems / fuse switch disconnectors / meters
- Quick and easy installation thanks to high percentage of factory-assembled components
- The configuration is selectable by the customer and can completely differ from one project to another

xEnergy Basic with standardized fitting-system EP

Surface-mounted cabinet IP43 / IP54

The family of EW wall-mounted enclosures is now complemented by re-engineered versions of the EWS and EWP type series. The new generation of the proven EWS surface-mounted, wall-mounted IP43 enclosure of 210 mm depth and of the EWP IP54 enclosure of 225mm depth is particularly interesting because of the fast and easy-to-install EP installation sections.

The 2K membrane flanges at the top/bottom, the 270° door opening angle of the EWP, a lead-sealable rotary bolt and a 3-point rod lock for large-size enclosures, as well as the RAL 9016 colour are the main features of the

new generation. As they are graded as protection class 2 and approved according to the IEC/EN 62208 empty enclosures standard, the EWS and EWP surface-mounted, wall-mounted enclosures are above all used in public buildings as a sub-distribution board according to IEC/EN 61439-2. In combination with a large number of most varied EP installation units used as assembly carriers and with Eaton switchgear and protective devices, Eaton provides a universal installation solution from a single source.



Benefits:

- Increased safety in combination with fully insulated functional units, EP installation units and Eaton switchgear and protective devices
- Compact thanks to the torsion-resistant construction
- Easy cable management thanks to membrane flange plates at the top and bottom
- Wide range of enclosures in many standardized sizes

Key-features / Sales arguments:

- EWS degree of protection IP43, IK09
- EWP degree of protection IP54, IK09
- Protection class II, fully insulated
- 210/225mm enclosure depth
- Complete with door and 2K membrane flanges
- Empty enclosure for accommodating EP installation units
- 270° door opening angle with EWP, and 110° with EWS
- Single and double-wing doors
- Larger enclosures come with a 3-point rod lock
- Stable and torsion-resistant construction
- Direct wall-fastening possibility with EWS
- Quick and easy reversing of the door hinges with EWS
- Body RAL 9016, door made of sheet steel, non-transparent
- Wide range of accessories

Variable compartments in one enclosure realizable

The construction of the xEnergy Basic enables a very flexible partition from 1 to max. 3 different sections inside one distribution board! Typically 200mm compartments are used for separate cable connection room and the 400mm wide section can be used e.g. for vertical busbar system up to 630A. The arrangement and division of the interior is completely arbitrary and is mainly up to the installation behavior from the panel builder / installer.

Example for illustration:

xEnergy Basic type BPM-O-1200/12-P divided into

- 400mm busbar compartment (with SASY 60i busbar system)
- 600mm section for installing circuit breakers (MCBs, MCCBs)
- 200mm cable room for placing outgoing terminals / auxiliary wiring



xEnergy Basic offers a wide range of accessories

Power Distribution Blocks (distributor assembly terminal blocks)

- Prepared for reliable and fast connections inside the switchboard
- Installation on modular rail or mounting plate
- Screw-terminal connections

1-phase types



3-/4-phase types



4-phase busbar system (easy to connect)

- Connection to the vertical busbar from the back, outgoing distribution in the front
- Installation with special brackets or directly on mounting plate
- For 600 / 800mm wide compartments
- Snap-in connections



Modular busbar system SASY 60i

- 1- up to 5-phase systems realizable
- Prepared mounting kits for horizontal installation
- Vertical integration in separate compartment possible

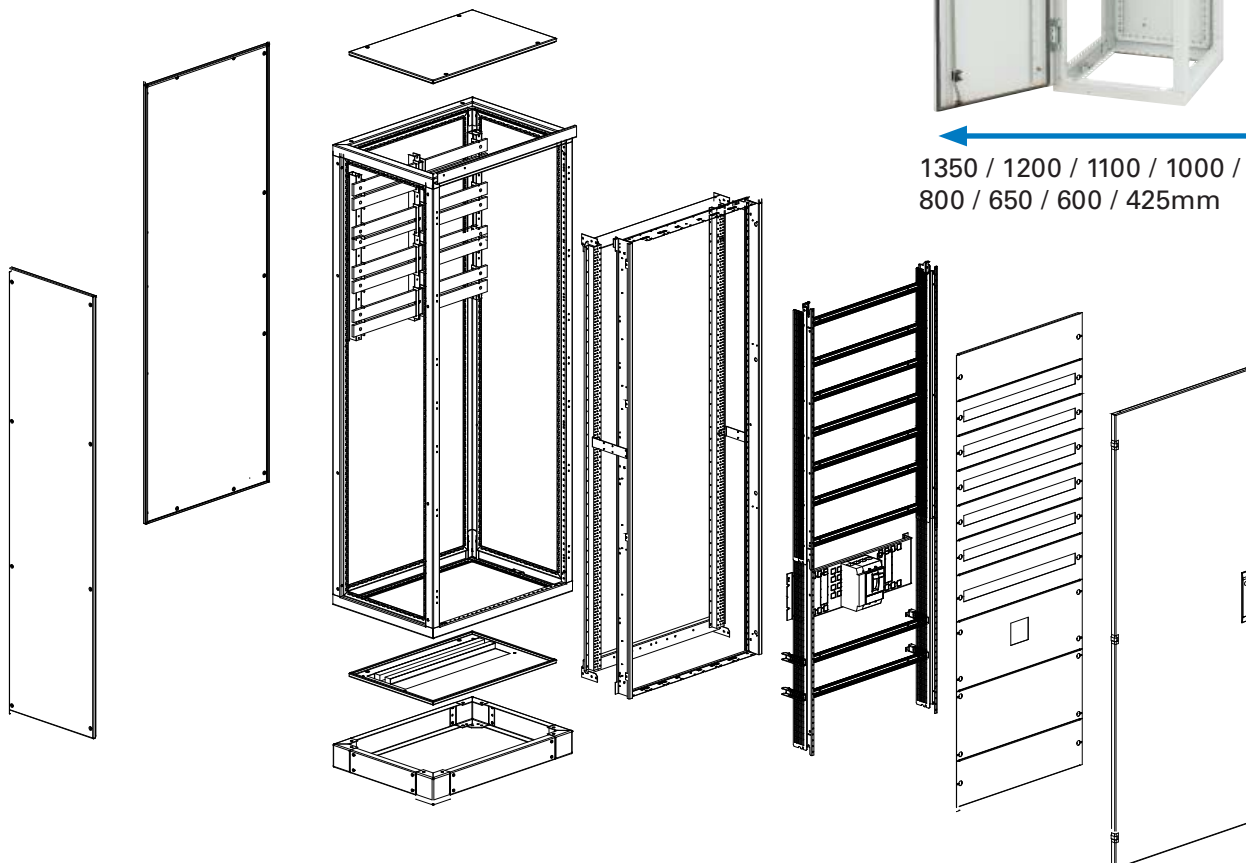


xEnergy Light

Floor-standing enclosure in IP40 and IP55

xEnergy Light floor-standing cabinets can be used as energy distribution boards and as control panels. For energy distribution, xEnergy Light offers all components required for realizing interior fittings for up to 1600A / Form 2. Sub-distribution boards can perfectly be implemented with combinations of our EP and Profi+ installation systems.

For general setups we provide a large number of mounting plates in different sizes. So there is a suitable solution whatever the requirements may be.



Key-features / Sales arguments:

- Robust push-fit / screw-fixed frame construction
- Frame parts and covers are powder-coated in RAL 7035
- Easy to assemble
- As a stand-alone or add-on cabinet
- Cost-efficient transportation due to high packing density based on delivery as individual parts
- Delivery as flat-pack or as pre-assembled distribution board
- Wide range of enclosure sizes (76 combination options)
- Covers are prepared for accommodating air conditioning devices, fans and filters
- Consistent grounding concept
- Transparent section doors
- Section plinths available in 100 and 200mm height
- Compatible with xEnergy Main
- Compatible with xEnergy Basic
- Compatible with EP installation system
- Compatible with SASY60i

xEnergy Light

As a power distribution board

The xEnergy Light cabinet is typically used as low-voltage main distribution board which can be realized as

- Power section
- Feeder and outgoing section
- Coupler-switch section
- Outgoing sections for fuse strips in a vertical installation position.

For all section variants you can freely choose the direction of connection, which can be done from top or bottom or both sides.



Power sections

- Feeders, outgoers, couplers up to 1600A
- Fitting kits for air circuit breakers of the IZMX16/40 series, 3-pole, 4-pole or 3P+N, fixed or withdrawable
- Fitting kits for compact circuit breakers of the NZM3+4 series, 3-pole, 4-pole or 3P+N, fixed or withdrawable / plug-in module technology
- Cable connection system without the need for drilling holes
- Plain copper-plating
- Variable mounting heights of the fitting kits



The cable connection system without the need for drilling holes provides more safety and convenience.

Sections for fuse strips

- Cost-efficient combinations of fuse strips
- Direct fixing of fuse strip combinations on the main busbar is possible
- Therefore there is no need for an additional dropper bar
- Variable height setup of the sections for fuse strips
- Fuse strips can be covered with front panels of the Profi+ series



xEnergy Light

As a control cabinet

xEnergy Light is the perfect basis for control cabinets. Mounting plates as high as the section can be ordered in 2 or 3 mm material thickness. There are mounting plates available as of a height of 100 mm for setup variants in different mounting heights.

In order to ensure sufficient cooling, we offer cover panels with suitable cut-outs for ventilation or air-conditioning equipment for all enclosure sizes.

Individual door equipment

Can be equipped with air-conditioning devices, cover panels are available with the suitable cut-outs.



Key-features / Sales arguments:

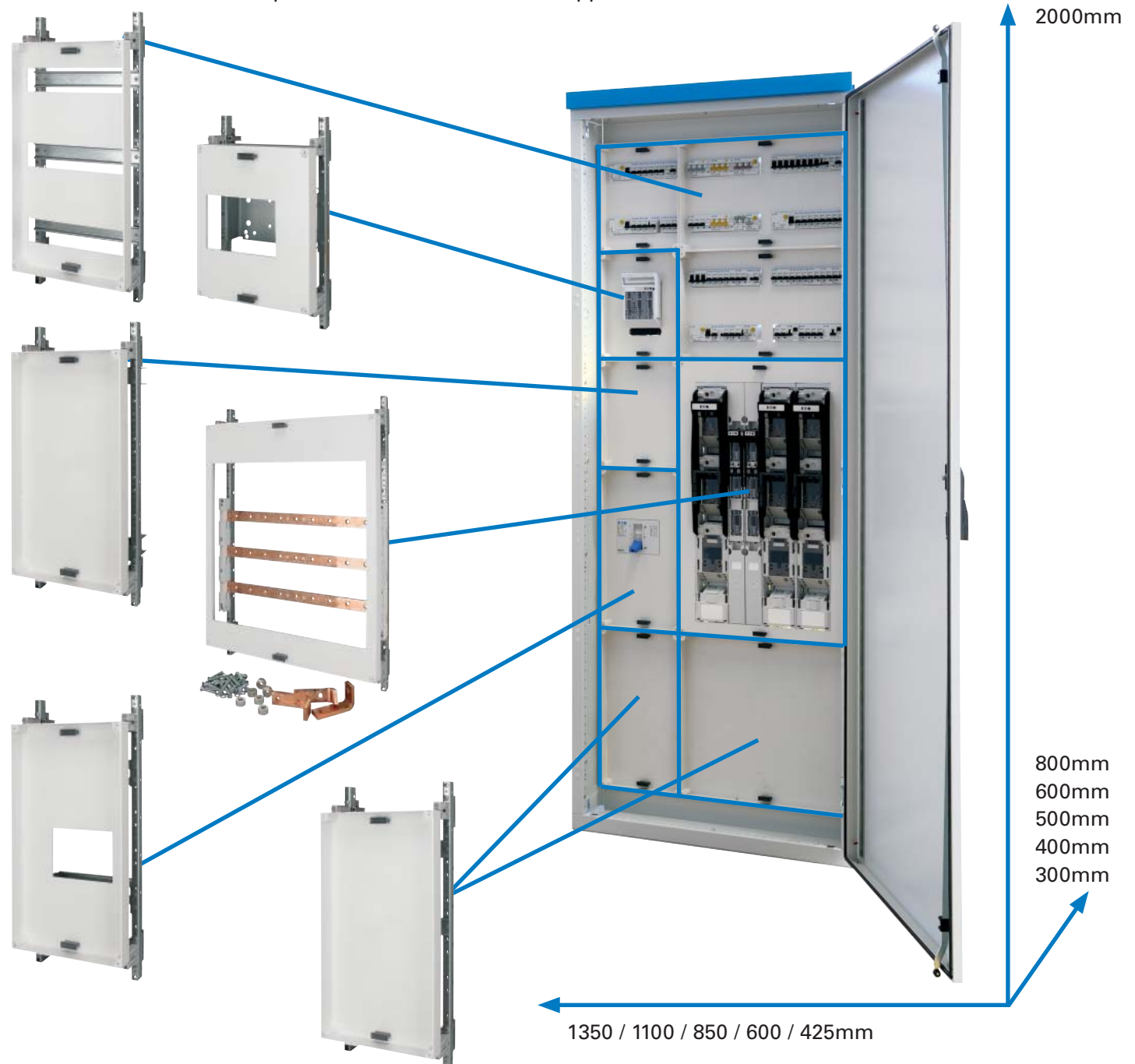
- As a typical control cabinet with different mounting plates as well as mounting plates as high as the section.
- Door equipment is possible
- Transparent doors are available
- Individual setup options
- Setups with divided mounting plates are possible
- Position of the mounting plates can be adjusted according to the requirements
- Massive mounting plates in 2 or 3mm thickness
- Can be combined with Smart-Wire-DT

xEnergy Light

With standard section EP installation system

The standard section installation system is a system for setting up factory-built, type-tested switchgear assemblies.

- A universal and stable system
- Rational in planning and project development
- Flexible and easy-to-mount interior fitting
- Flexibility in project development thanks to individual combination options with standard inserts for standard sections or standard components for different fields of application.



Key-features / Sales arguments:

- A universal and stable system
- Rational in planning and project development
- Flexible and easy-to-mount interior fitting
- Individual module combination options
- Time-saving module mounting thanks to terminal/screw-type technology
- Robust front covers thanks to fibre-reinforced material

xEnergy Light

In combination with the Profi+ installation system

Divided setups can now be equipped with a separate 200 mm or 400 mm wide vertical module. This type of module can either be used as a cable connection area or as a dropper bar area which can safely and conveniently be closed with a door made in one part. Step-type busbar carriers allow for easy connecting of outgoing cables. There are different modules available for ACBs, MCBs and MCCBs, but we also provide general modules for any type of requirements.

Combinations of air circuit breakers and Profi+ installation inserts are now possible too (both with MSW as a pivote-type mounting frame and on a fixed mounting

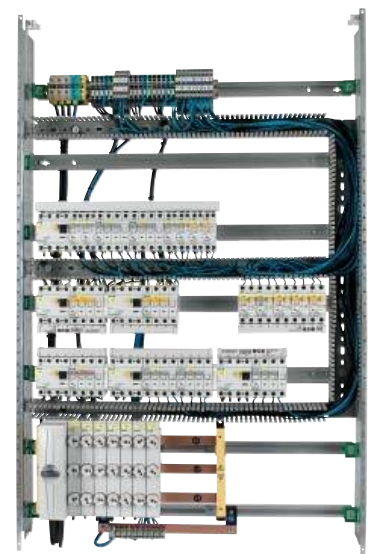
frame). So you can fully integrate IZM circuit breakers in a Profi+ setup and cover them perfectly with front panels. The height-related position of the circuit breakers can be freely selected within the grid. The carrier plate for circuit breakers can directly and safely be screw-fixed on horizontal profiles and on the frame.

This provides the required stability which is a crucial feature for large and heavy switchgear of this type. IZM circuit breaker modules are prepared for the IZMX16 and 40 series, fixed and withdrawable, 3- and 4-pole and 3P+N. The switchgear can also be positioned next to each other.

Total section height is available either for a busbar system or a cable connection area (separate door)



Pre-assembled modules make it easy to install SASY60i, compact circuit breakers or general modules for MCBs



Step-type busbar systems provide for convenient connection of outgoing cables

Key-features / Sales arguments:

- Fixed installation components with BPZ-MSW as a removable insert
- Time-saving setup of mounting inserts (which can be fully fitted and wired outside the cabinet)
- An easy and self-explanatory system
- Divided setups with fixed installation equipment and with removable Profi+ inserts
- Setups horizontally and vertically divided
- Modules prepared for accommodating compact circuit breakers

xEnergy Light

In combination with xEnergy Basic

Combined system setups with air circuit breakers and the Profi+ installation system offer the possibility to cover the entire section setup with front panels in a finger-safe way. An air circuit breaker that can be fully integrated into the system architecture provides safety and at the same time it is a convenient solution for

using the entire performance range of our wide variety of circuit breakers in one and the same section. This application is used in low-voltage main distribution systems where the area above and below the circuit breakers can be equipped with control components or MCBs.

Air circuit breakers of the IZMX16/40 series can now be combined with xEnergy Basic mounting inserts in a mixed setup. Front plates coming with suitable cut-outs allow for easy covering of the circuit breakers.

Suitable recess openings in the carrier plate make it possible to realize a combination with the pivote-type mounting frame of the xEnergy Basic series.

A stable mounting frame ensures safe and reliable mounting even of heavy equipment (e.g. NZM3). The appropriate cut-outs in the carrier plate are already included.

The carrier plate of the circuit breakers is solidly screw-fixed at horizontal profiles and at the rack frame. The mounting height of the carrier plate can be freely selected within the 25mm grid over the entire section height.

Eaton Online Tools – find product details quickly and efficiently!

You can find comprehensive up-to-date product information at <http://ecat.moeller.net/catalog>

Online Catalogue

Lookup

You can search by keywords, product names, article numbers, technical data: The search understands everything and takes you straight to the product you're looking for.

Graphical navigation

Graphical representation of the fields of application and product groups.

Selection aids

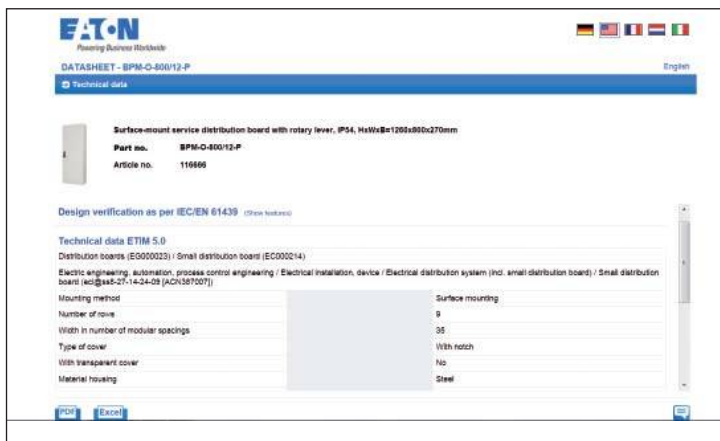
Tailored to the typical expert's approach, this search aid helps you quickly find the product you need.

Data sheets

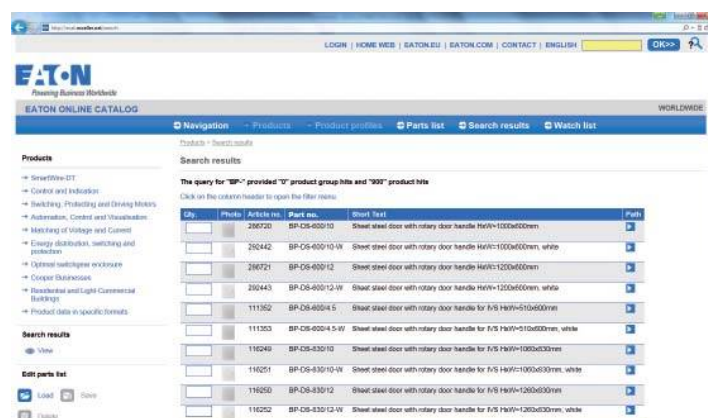
For every article the catalog can generate a technical data sheet, which you can convert to a PDF file for printing or saving with a single click.

Parts lists

From your search results you can create a parts list that you can then send to your Eaton sales partner as a query.

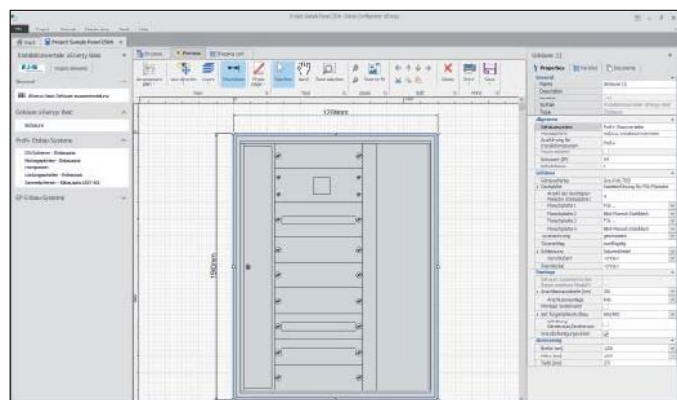


HTML data sheet; can be saved as PDF file.

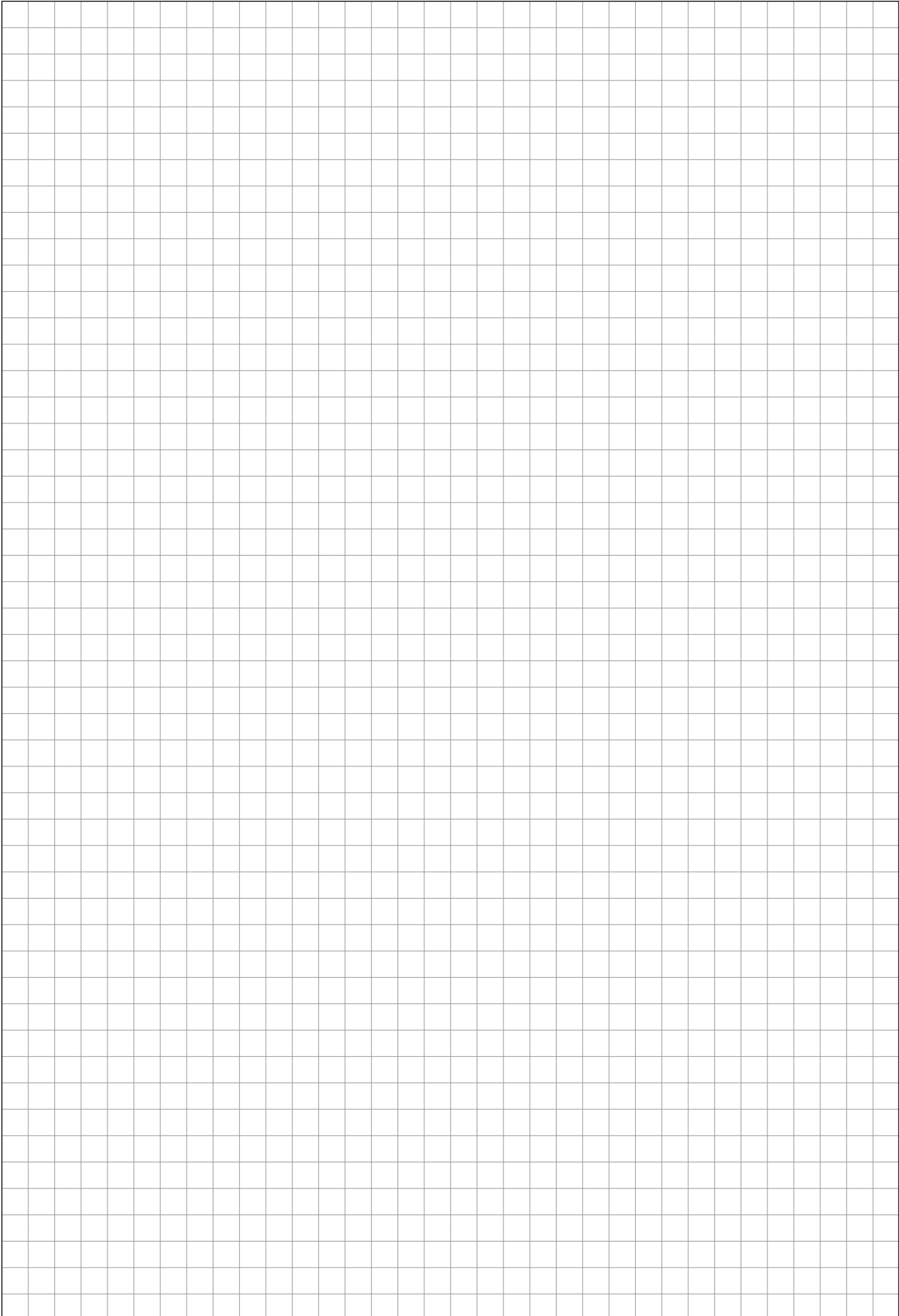


Parts list, e.g. for queries to Eaton Sales.

Configurator



The Eaton configurator helps you by assembling the switchboard systems by keeping all standards. Bei Interesse wenden Sie sich bitte an Ihren regionalen Eaton-Betreuer.



Wall-mounted enclosures EWS, IP43 for EP installation units

VT89414



EWS-...

- Degree of protection IP43, IK09
- Protection class II, fully insulated
- 210 mm enclosure depth
- Empty enclosures for accommodating EP installation units

VT81114



- 29 different enclosure sizes
- Single-wing and double-wing door versions
- Larger enclosures come with a 3-point rod lock
- Possibility of direct fixing on the wall
- Quick and easy reversing of the door hinges
- 2K membrane flanges
- Body RAL 9016, door made of sheet steel, non-transparent

Type code EWS-...

EWS	-	05		08		2	
Wall-mounted enclosures - empty		Width	mm	Height	mm	Depth	mm
		03	300	06	650	2	210
		05	550	08	800		
		08	800	09	950		
		10	1050	11	1100		
		13	1300	12	1250		
				14	1400		

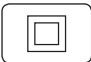


System overview EWS-...

Compact distr. board Version	Protection class II (fully insulated)	Meets the requirements of European Standard EN 62208 ¹⁾	IP43	IP54	RAL 9016	N/PE Terminals included	Installation sections included
EWS-...	■	■ ¹⁾	■	-	■ ²⁾	-	-
EWP-...	■	■ ¹⁾	-	■	■ ²⁾	-	-

¹⁾ Pre-requisite for transforming empty enclosures into distribution boards according to IEC/EN 61439.

²⁾ Body and door.

Legend EWS-...




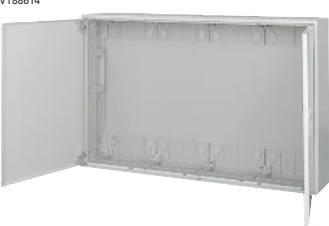
Symbols	Explanation
	Protective insulation
	Approved for indoor applications only.
	Glow-wire test according to IEC/EN 62208.

EWS Wall-mounted enclosures IP43 for EP

IP43 (IK 09)








- Degree of protection IP43, IK09
- Protection class II, fully insulated
- Surface-mounted, enclosure depth 210mm
- Empty enclosures for accommodating EP installation units
- 29 different enclosure sizes
- Quick and easy reversing of door hinges
- Possibility for direct fixing on the wall
- Wall-fixing brackets are optionally included in the accessories
- Quick and easy reversing of door hinges, 110° opening angle
- Enclosures of a width of 800 mm and more come with a double-wing door and a 3-point rod lock
- Standard lock made of plastic, lead-sealable, other lock systems are optionally available as accessories
- 2K membrane flanges, at the top and bottom
- Body and door RAL9016, sheet steel, powder-coated
- According to the EN 62208 standard for empty enclosures

	Flange plates 2K (n)	Suitable for	Dimensions W x H x D [mm]	Type designation	Article No.	Pack (Pcs.)
H = 650mm						
 <p>VT89514</p>	2	EP Units	300x650x210	EWS-03062	174622	1
 <p>VT89214</p>	4	EP Units	550x650x210	EWS-05062	174623	1
 <p>VT88914</p>	6	EP Units	800x650x210	EWS-08062	174624	1
 <p>VT88614</p>	8	EP Units	1050x650x210	EWS-10062	174625	1

EWS Wall-mounted enclosures IP43 for EP

IP43 (IK 09)



	Flange plates 2K (n)	Suitable for	Dimensions W x H x D [mm]	Type designation	Article No.	Pack (Pcs.)
H = 800mm						
VT87714 	2	EP units	300x800x210	EWS-03082	174626	1
VT88314 	4	EP Units	550x800x210	EWS-05082	174627	1
VT88014 	6	EP Units	800x800x210	EWS-08082	174628	1
VT87414 	8	EP Units	1050x800x210	EWS-10082	174629	1
VT87114 	10	EP Units	1300x800x210	EWS-13082	174630	1

EWS Wall-mounted enclosures IP43 for EP

IP43 (IK 09)



	Flange plates 2K (n)	Suitable for	Dimensions W x H x D [mm]	Type designation	Article no.	Pack (Pcs.)
H = 950mm						
VT81714 	2	EP units	300x950x210	EWS-03092	174631	1
VT86214 	4	EP units	550x950x210	EWS-05092	174632	1
VT85914 	6	EP units	800x950x210	EWS-08092	174633	1
VT85914 	8	EP units	1050x950x210	EWS-10092	174634	1
VT85614 	10	EP units	1300x950x210	EWS-13092	174635	1

EWS Wall-mounted enclosures IP43 for EP

IP43 (IK 09)



	Flange plates 2K (n)	Suitable for	Dimensions W x H x D [mm]	Type designation	Article no.	Pack (Pcs.)
H = 1100mm						
VT82914 	2	EP units	300x1100x210	EWS-03112	174636	1
VT82614 	4	EP units	550x1100x210	EWS-05112	174637	1
VT83514 	6	EP units	800x1100x210	EWS-08112	174638	1
VT83814 	8	EP units	1050x1100x210	EWS-10112	174639	1
VT83214 	10	EP units	1300x1100x210	EWS-13112	174640	1

EWS Wall-mounted enclosures IP43 for EP

IP43 (IK 09)



	Flange plates 2K (n)	Suitable for	Dimensions W x H x D [mm]	Type designation	Article no.	Pack (Pcs.)
H = 1250mm						
VT85314 	2	EP units	300x1250x210	EWS-03122	174641	1
VT84714 	4	EP units	550x1250x210	EWS-05122	174642	1
VT85014 	6	EP units	800x1250x210	EWS-08122	174643	1
VT84114 	8	EP units	1050x1250x210	EWS-10122	174644	1
VT84414 	10	EP units	1300x1250x210	EWS-13122	174645	1

EWS Wall-mounted enclosures IP43 for EP

IP43 (IK 09)



	Flange plates 2K (n)	Suitable for	Dimensions W x H x D [mm]	Type designation	Article no.	Pack (Pcs.)
H = 1400mm						
VT82014 	2	EP units	300x1400x210	EWS-03142	174646	1
VT81714 	4	EP units	550x1400x210	EWS-05142	174647	1
VT81414 	6	EP units	800x1400x210	EWS-08142	174648	1
VT812314 	8	EP units	1050x1400x210	EWS-10142	174649	1
VT81114 	10	EP units	1300x1400x210	EWS-13142	174650	1

Technical Data EWS-...

Unit

Electrical

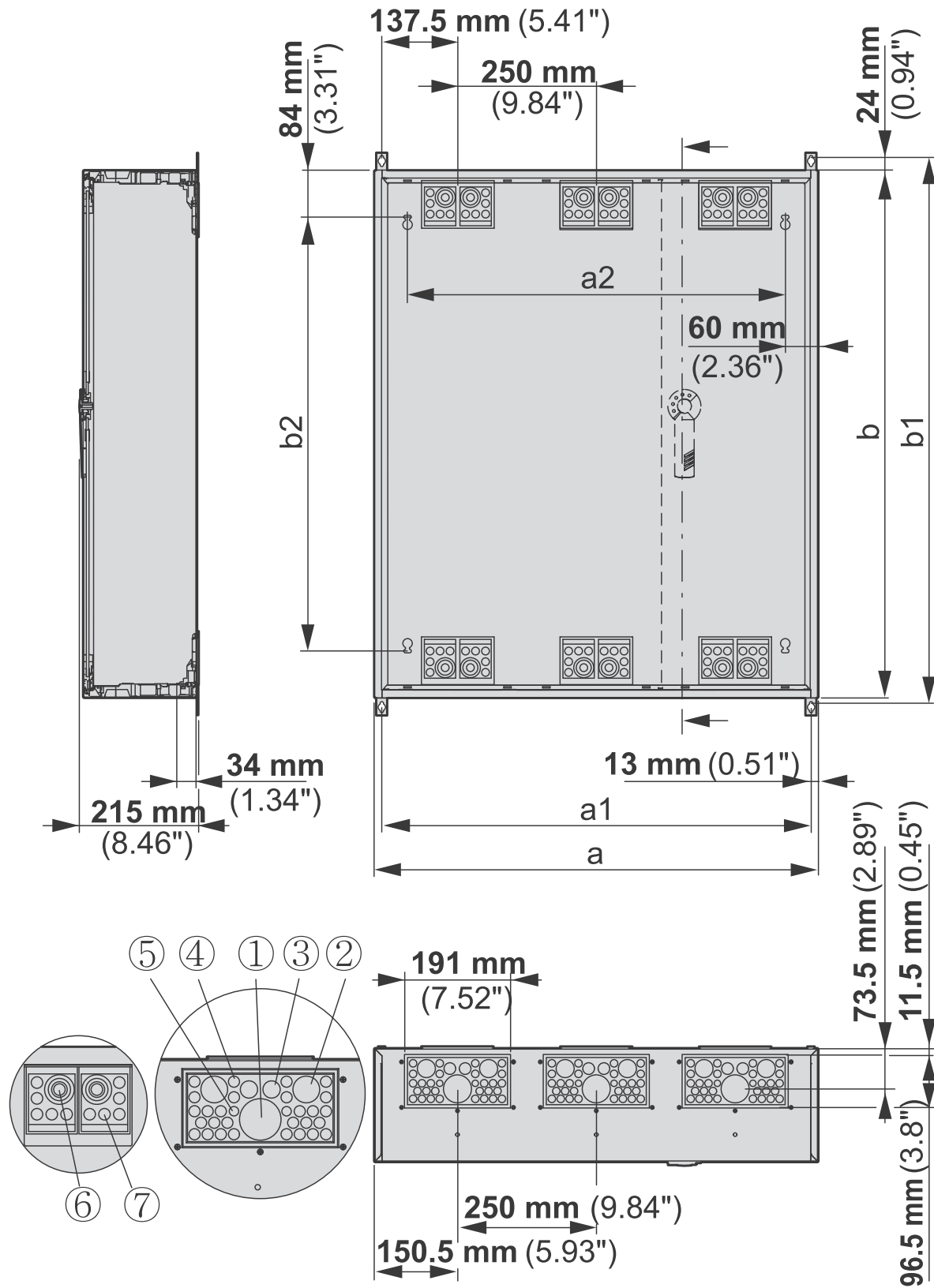
Versions according to	EN 62208
Degree of protection	IP43 (IK09) according to EN 60529
Protection class	II, fully insulated
Max. power loss admitted for all devices installed in the distribution board at 20°K temperature difference and 75% height:	
EWS-03062	W 28
EWS-05062	W 44
EWS-08062	W 61
EWS-10062	W 75
EWS-13062	W 97
EWS-03082	W 34
EWS-05082	W 51
EWS-08082	W 72
EWS-10082	W 90
EWS-13082	W 116
EWS-03092	W 39
EWS-05092	W 59
EWS-08092	W 79
EWS-10092	W 106
EWS-13092	W 139
EWS-03112	W 44
EWS-05112	W 66
EWS-08112	W 89
EWS-10112	W 123
EWS-13112	W 162
EWS-03122	W 49
EWS-05122	W 72
EWS-08122	W 100
EWS-10122	W 140
EWS-13122	W 183
EWS-03142	W 53
EWS-05142	W 76
EWS-08142	W 114
EWS-10142	W 159
EWS-13142	W 204

Mechanical

Material:	
Enclosure	Sheet steel, powder-coated with corrosion protection, inside lined with plastic (polystyrene).
Door	Sheet steel, powder-coated, with corrosion protection
Colour of the enclosure	White RAL 9016
Colour of the door	Non-transparent, white RAL 9016
Opening angle of the door	° 110
Device carrier	EP installation system
UV stability	No
Installation type	Indoor
No halogens, RoHs	<1%, yes

Dimensions (mm)

EWS-...



- ① 1x Ø 5-47 mm
- ② 2x Ø 5-29 mm
- ③ 2x Ø 5-18 mm
- ④ 28x Ø 5-11 mm
- ⑤ 2x Ø 5-9 mm
- ⑥ 2x Ø 16/21/29/38 mm
- ⑦ 10x Ø 16 mm

Dimensions (mm)

EWS-...

Type	a [mm]	b [mm]	a1 [mm]	b1 [mm]	a2 [mm]	b2 [mm]
EWS-03062	301	652	275	685	181	483
EWS-05062	551	652	525	685	431	483
EWS-08062	801	652	775	685	681	483
EWS-10062	1051	652	1025	685	931	483
EWS-13062	1351	652	1275	685	1181	483
EWS-03082	301	802	275	835	181	633
EWS-05082	551	802	525	835	431	633
EWS-08082	801	802	775	835	681	633
EWS-10082	1051	802	1025	835	931	633
EWS-13082	1351	802	1275	835	1181	633
EWS-03092	301	952	275	985	181	783
EWS-05092	551	952	525	985	431	783
EWS-08092	801	952	775	985	681	783
EWS-10092	1051	952	1025	985	931	783
EWS-13092	1351	952	1275	985	1181	783
EWS-03112	301	1102	275	1135	181	933
EWS-05112	551	1102	525	1135	431	933
EWS-08112	801	1102	775	1135	681	933
EWS-10112	1051	1102	1025	1135	931	933
EWS-13112	1351	1102	1275	1135	1181	933
EWS-03122	301	1252	275	1285	181	1083
EWS-05122	551	1252	525	1285	431	1083
EWS-08122	801	1252	775	1285	681	1083
EWS-10122	1051	1252	1025	1285	931	1083
EWS-13122	1351	1252	1275	1285	1181	1083
EWS-03142	301	1402	275	1435	181	1233
EWS-05142	551	1402	525	1435	431	1233
EWS-08142	801	1402	775	1435	681	1233
EWS-10142	1051	1402	1025	1435	931	1233
EWS-13142	1351	1402	1275	1435	1181	1233

Wall-mounted enclosures EWP, IP54 for EP installation units

VT94714



EWP-...

- Degree of protection IP54, IK09
- Protection class II, fully insulated
- 225 mm enclosure depth
- Empty enclosures for accommodating EP installation units

VT100814



- 29 different enclosure sizes
- Versions with single-wing and double-wing doors
- All enclosures come with a 3-point rod lock
- Brackets for wall-fixing are included in the scope of delivery
- 270° door opening angle
- 2K membrane flanges
- Body RAL 9016, door made of sheet steel, non-transparent

Type code EWP...

EWS	-	05		08		2	
Wall-mounted enclosures - empty		Width	mm	Height	mm	Depth	mm
		03	300	06	650	2	225
		05	550	08	800		
		08	800	09	950		
		10	1050	11	1100		
		13	1300	12	1250		
				14	1400		

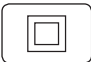


System overview EWP -...

Compact distr. board Version	Protection class II (fully insulated)	Meets the requirements of European Standard EN 62208 ¹⁾	IP43	IP54	RAL 9016	N/PE Terminals included	Installation sections included
EWS-...	■	■ ¹⁾	■	-	■ ²⁾	-	-
EWP-...	■	■ ¹⁾	-	■	■ ²⁾	-	-

¹⁾ Pre-requisite for transforming empty enclosures into distribution boards according to IEC/EN 61439.

²⁾ Body and door.

Legend EWP -...






Symbols	Explanation
	Protective insulation
	Approved for indoor applications only.
	Glow-wire test according to IEC/EN 62208.

EWP Wall-mounted enclosures IP54 for EP

IP54 (IK 09)

- Degree of protection IP54, IK09
- Protection class II, fully insulated
- Surface-mounted, enclosure depth 225mm
- Empty enclosures for accommodating EP installation units
- 29 different enclosure sizes
- Brackets for wall-mounting included
- Door opening angle 270°
- All enclosures come with a 3-point rod lock, as of a width of 1050mm with a double-wing door
- Standard lock with a 3 mm two-way key-bit, other lock systems are optionally available as accessories
- 2K membrane flanges, at the top and bottom
- Body and door RAL9016, sheet steel powder-coated
- According to the EN 62208 standard for empty enclosures



	Flange plates 2K (n)	Suitable for	Dimensions W x H x D [mm]	Type designation	Article no.	Pack (Pcs.)
H = 650mm						
VT94814 	2	EP units	300x650x255	EWP-03062	174667	1
VT95114 	4	EP units	550x650x255	EWP-05062	174668	1
T95414 	6	EP units	800x650x255	EWP-08062	174669	1
VT95714 	8	EP units	1050x650x255	EWP-10062	174670	1
VT96014 	10	EP units	1300x650x225	EWP-13062	174671	1






EWP Wall-mounted Enclosures IP54 for EP

**xEnergy
Basic**

EWP Wall-mounted enclosures IP54 for EP

IP54 (IK 09)



	Flange plates 2K (n)	Suitable for	Dimensions W x H x D [mm]	Type designation	Article no.	Pack (Pcs.)
H = 800mm						
VT96314 	2	EP units	300x800x225	EWP-03082	174672	1
VT96614 	4	EP units	550x800x225	EWP-05082	174673	1
VT96914 	6	EP units	800x800x225	EWP-08082	174674	1
VT97214 	8	EP units	1050x800x225	EWP-10082	174675	1
VT97814 	10	EP units	1300x800x225	EWP-13082	174676	1






EWP Wall-mounted Enclosures IP54 for EP

**xEnergy
Basic**

EWP Wall-mounted enclosures IP54 for EP

IP54 (IK 09)



	Flange plates 2K (n)	Suitable for	Dimensions W x H x D [mm]	Type designation	Article no.	Pack (Pcs.)
H = 950mm						
VT97514 	2	EP units	300x950x225	EWP-03092	174677	1
VT98714 	4	EP units	550x950x225	EWP-05092	174678	1
VT98414 	6	EP units	800x950x225	EWP-08092	174679	1
VT98114 	8	EP units	1050x950x225	EWP-10092	174680	1
VT99014 	10	EP units	1300x950x225	EWP-13092	174681	1





EWP Wall-mounted Enclosures IP54 for EP

**xEnergy
Basic**

EWP Wall-mounted enclosures IP54 for EP

IP54 (IK 09)



	Flange plates 2K (n)	Suitable for	Dimensions W x H x D [mm]	Type designation	Article no.	Pack (Pcs.)
H = 1100mm						
 <p>VT99314</p>	2	EP units	300x1100x225	EWP-03112	174682	1
 <p>VT99614</p>	4	EP units	550x1100x225	EWP-05112	174683	1
 <p>VT99914</p>	6	EP units	800x1100x225	EWP-08112	174684	1
 <p>VT100214</p>	8	EP units	1050x1100x225	EWP-10112	174685	1
 <p>VT100514</p>	10	EP units	1300x1100x225	EWP-13112	174686	1

EWP Wall-mounted Enclosures IP54 for EP

**xEnergy
Basic**

EWP Wall-mounted enclosures IP54 for EP

IP54 (IK 09)



	Flange plates 2K (n)	Suitable for	Dimensions W x H x D [mm]	Type designation	Article no.	Pack (Pcs.)
H = 1250mm						
VT102014 	2	EP units	300x1250x225	EWP-03122	174687	1
VT101714 	4	EP units	550x1250x225	EWP-05122	174688	1
VT101414 	6	EP units	800x1250x225	EWP-08122	174689	1
VT101114 	8	EP units	1050x1250x225	EWP-10122	174690	1
VT100814 	10	EP units	1300x1250x225	EWP-13122	174691	1

EWP Wall-mounted Enclosures IP54 for EP

**xEnergy
Basic**

EWP Wall-mounted enclosures IP54 for EP

IP54 (IK 09)



	Flange plates 2K (n)	Suitable for	Dimensions W x H x D [mm]	Type designation	Article no.	Pack (Pcs.)
H = 1400mm						
VT103514 	2	EP units	300x1400x225	EWP-03142	174692	1
VT103214 	4	EP units	550x1400x225	EWP-05142	174693	1
VT102914 	6	EP units	800x1400x225	EWP-08142	174694	1
VT102614 	8	EP units	1050x1400x225	EWP-10142	174695	1
VT102314 	10	EP units	1300x1400x225	EWP-13142	174696	1

Technical Data EWP...

Unit

Electrical

Versions according to	EN 62208
Degree of protection	IP54 (IK09) according to EN 60529
Protection class	II, fully insulated

Max. power loss admitted for all devices installed in the distribution board at 20°K temperature difference and 75% height:

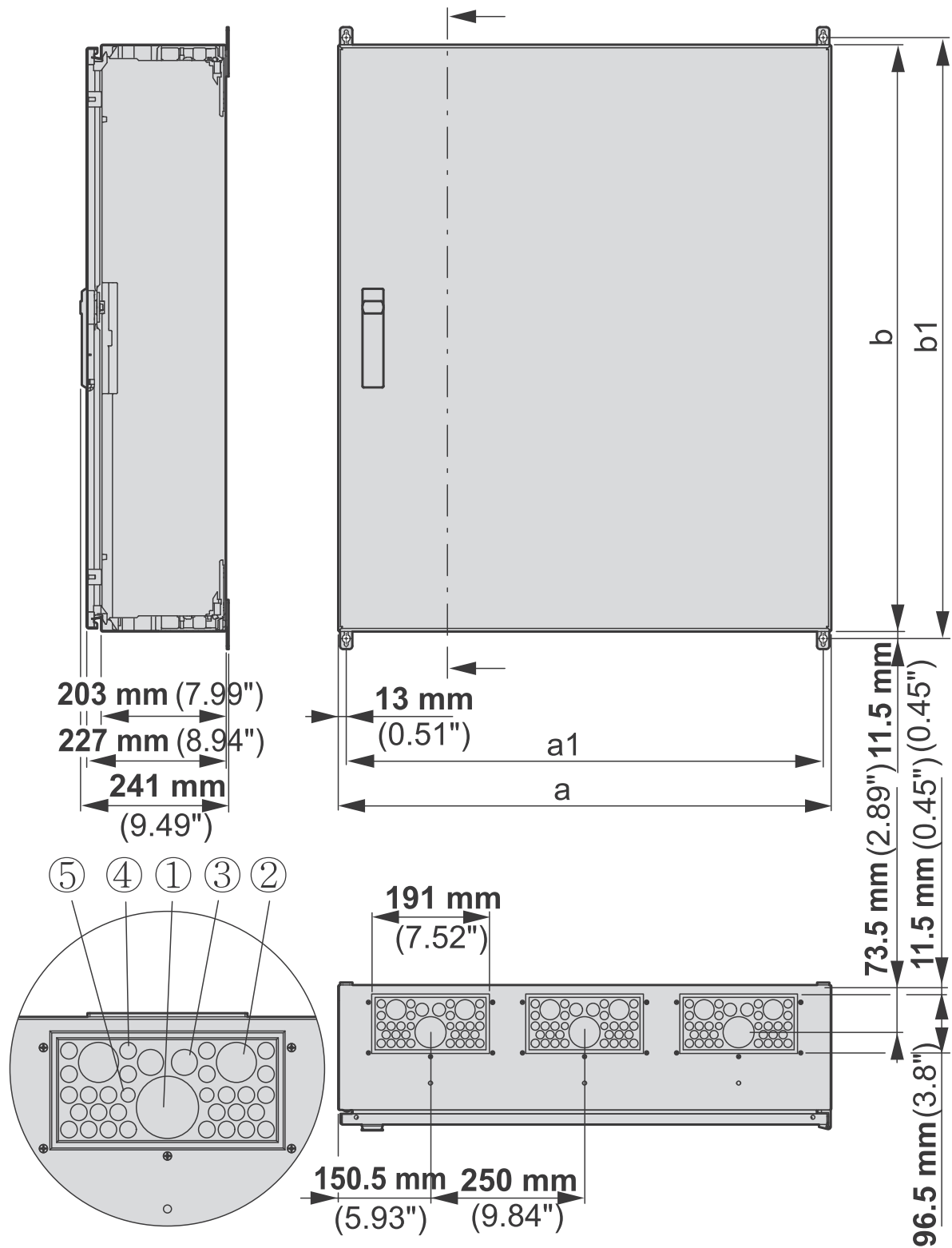
EWP-03062	W	28
EWP-05062	W	44
EWP-08062	W	61
EWP-10062	W	75
EWP-13062	W	97
EWP-03082	W	34
EWP-05082	W	51
EWP-08082	W	72
EWP-10082	W	90
EWP-13082	W	116
EWP-03092	W	39
EWP-05092	W	59
EWP-08092	W	79
EWP-10092	W	106
EWP-13092	W	139
EWP-03112	W	44
EWP-05112	W	66
EWP-08112	W	89
EWP-10112	W	123
EWP-13112	W	162
EWP-03122	W	49
EWP-05122	W	72
EWP-08122	W	100
EWP-10122	W	140
EWP-13122	W	183
EWP-03142	W	53
EWP-05142	W	76
EWP-08142	W	114
EWP-10142	W	159
EWP-13142	W	204

Mechanical

Material:	
Enclosure	Sheet steel, powder-coated with corrosion protection, inside lined with plastic (polystyrene).
Door	Sheet steel, powder-coated with corrosion protection
Colour of the enclosure	White, RAL 9016
Colour of the door	Non-transparent, white RAL 9016
Door opening angle	° 270
Device carrier	EP installation system
UV stability	No
Installation type	Indoor
No halogens, RoHs	<1%, yes

Dimensions (mm)

EWP-...



- ① 1x Ø 5-47 mm
- ② 2x Ø 5-29 mm
- ③ 2x Ø 5-18 mm
- ④ 28x Ø 5-11 mm
- ⑤ 2x Ø 5-9 mm
- ⑥ 2x Ø 16/21/29/38 mm
- ⑦ 10x Ø 16 mm

Dimensions (mm)

EWP-...

Type	a [mm]	b [mm]	a1 [mm]	b1 [mm]
EWP-03062	301	652	275	685
EWP-05062	551	652	525	685
EWP-08062	801	652	775	685
EWP-10062	1051	652	1025	685
EWP-13062	1351	652	1275	685
EWP-03082	301	802	275	835
EWP-05082	551	802	525	835
EWP-08082	801	802	775	835
EWP-10082	1051	802	1025	835
EWP-13082	1351	802	1275	835
EWP-03092	301	952	275	985
EWP-05092	551	952	525	985
EWP-08092	801	952	775	985
EWP-10092	1051	952	1025	985
EWP-13092	1351	952	1275	985
EWP-03112	301	1102	275	1135
EWP-05112	551	1102	525	1135
EWP-08112	801	1102	775	1135
EWP-10112	1051	1102	1025	1135
EWP-13112	1351	1102	1275	1135
EWP-03122	301	1252	275	1285
EWP-05122	551	1252	525	1285
EWP-08122	801	1252	775	1285
EWP-10122	1051	1252	1025	1285
EWP-13122	1351	1252	1275	1285
EWP-03142	301	1402	275	1435
EWP-05142	551	1402	525	1435
EWP-08142	801	1402	775	1435
EWP-10142	1051	1402	1025	1435
EWP-13142	1351	1402	1275	1435

Additional equipment, spare parts

VT30414



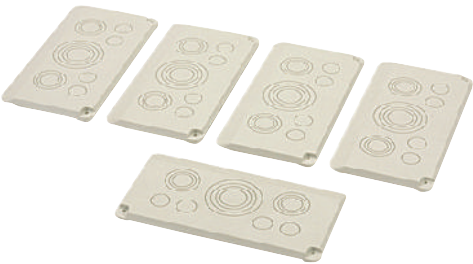
VT29914



VT30314



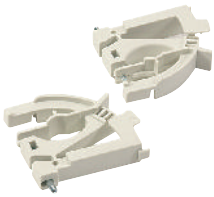
VT27614



P19_UP1-KLV



P19_GAU1-KLV

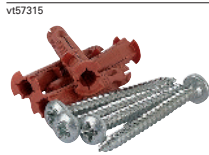


Accessories

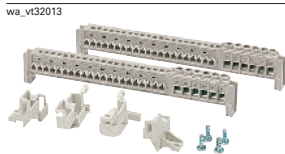
Suitable for	Description	Type designation	Article no.	Pack (Pcs.)
Brackets for wall-fixing ¹⁾				
EWS-... EWP-...	Sheet steel, for fixing the enclosure on the wall. Set includes 4 brackets ¹⁾ .	WFB-SET-EW	178507	1
Note: ¹⁾ These brackets for wall-fixing are not suitable for EWP-...				



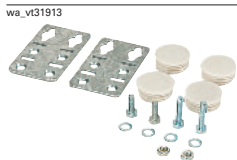
Suitable for	Description	Type designation	Article no.	Pack (Pcs.)
Fixing material for wall-mounting				
EWS-... EWP-...	Set includes anchors and screws	WFM-SET-EW	178508	1



Suitable for	Description	Type designation	Article no.	Pack (Pcs.)
Combined plug-type terminal IP2X				
EWS-...	1x PE- combined plug-type terminal 6x1.5-16mm ² +21x0.75-4mm ² With adapter for fixing it in the enclosure or on the carrier rail	PEN-EWS	178512	1




Suitable for	Description	Type designation	Article no.	Pack (Pcs.)
Set for connecting two enclosures				
EWS-...	For connecting wall-mounted enclosures on top of each other or next to each other	SBS-SET-EWS	178509	1
EWP-...	For connecting wall-mounted enclosures on top of each other or next to each other	SBS-SET-EWP	178511	1





Suitable for	Description	Type designation	Article no.	Pack (Pcs.)
Double adapters				
<ul style="list-style-type: none"> • For fixing the internal vertical carrier rails • 1 set includes 2 adapters 				
EWS-... EWP-...	Internal double-adapters for receiving the vertical carrier rails	EWADI	660017003	1
EWP-... EWP-...	External double-adapters which are fixed in the respective enclosures as four semi-adapters	EWADA	660017013	1



Accessories

Suitable for	Description	Type designation	Article no.	Pack (Pcs.)
Cable insertion flange with adapter				
<ul style="list-style-type: none"> • To complement the factory-mounted pass-through flanges • Height increase of 48 mm 				
wa_vt31513				
EWS-... EWP-... EWK-...	22x M25	LP20-EW	178485	1
EWS-... EWP-... EWK-...	14x M25/32	LP21-EW	178486	1
EWS-... EWP-... EWK-...	6x M32/40/50	LP22-EW	178487	1
EWS-... EWP-... EWK-...	2x M25/32, 1x M32/40, 2x M40/50/60	LP23-EW	178488	1
EWS-... EWP-... EWK-...	Blind	LP24-EW	178489	1
EWS-... EWP-... EWK-...	Sealing membranes	LP25-EW	178490	1

Suitable for	Description	Type designation	Article no.	Pack (Pcs.)
Cable insertion flange with cable grommets KT3/KT4				
vt56915, vt56815				
EWS-... EWP-... EWK-...	2x (14-54 mm) outer diameter of the cable	LP-KT3-EW	178497	1
EWS-... EWP-... EWK-...	1x (14-54 mm) outer diameter of the cable	LP-KT4-EW	178498	1

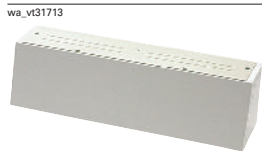
Suitable for	Description	Type designation	Article no.	Pack (Pcs.)
Cable insertion flange				
<ul style="list-style-type: none"> • To replace the factory-mounted pass-through flanges • Pre-punched for metric or PG insertions 				
wa_vt31613				
EWS-... EWP-... EWK-...	5x M20, 12x M16	LP2-1-EW	178491	1
EWS-... EWP-... EWK-...	5x M20, 2x M50	LP2-2-EW	178492	1
EWS-... EWP-... EWK-...	1x PG21-48, 2x PG16-29, 4x PG13,5	LP3-EW	178493	1
EWS-... EWP-... EWK-...	17x PG13,5	LP4-EW	178494	1
EWS-... EWP-... EWK-...	Blind	LP5-EW	178495	1
EWS-... EWP-... EWK-...	Elastic insertions	LP6-EW	178496	1

Accessories

Suitable for	Description	Type designation	Article no.	Pack (Pcs.)
Sealing plug				
vi57515	For closing holes made by mistake	SSCBF-EW	178499	1









Suitable for	Description	Type designation	Article no.	Pack (Pcs.)
Interconnect duct for cables ²⁾				
<ul style="list-style-type: none"> • To interconnect and cover cables • To be fixed at the top of the enclosure • Colour RAL 9016 				
EWS-...	Width 300	RK03-EW	178502	1
EWS-...	Width 550	RK05-EW	178503	1
EWS-...	Width 800	RK08-EW	178504	1
EWS-...	Width 1050	RK10-EW	178505	1
EWS-...	Width 1300	RK13-EW	178506	1
Note: ²⁾ Not suitable for EWP-....				





Suitable for	Enclosure width mm	Enclosure height mm	Type designation	Article no.	Pack (Pcs.)
Transparent door ³⁾					
<ul style="list-style-type: none"> • As a conversion kit • Without lock, without hinges 					
EWS-...	300 800	650	TT0306-EW	178520	1
EWS-...	300 800	800	TT0308-EW	178521	1
EWS-...	300 800	950	TT0309-EW	178522	1
EWS-...	550 1050 1300	500	TT0505-EW	178523	1
EWS-...	550 1050 1300	650	TT0506-EW	178524	1
EWS-...	550 1050 1300	800	TT0508-EW	178525	1
EWS-...	550 1050 1300	950	TT0509-EW	178526	1
Note: ²⁾ Not suitable for EWP-....					



Accessories

	Suitable for	Description	Type designation	Article no.	Pack (Pcs.)
Door locks					
 <p>wa_vt31213</p>	EWS-... EWP-...	Clip-down handle for profile semi-cyl.	SHG-EW	178527	1
 <p>wa_vt31113</p>	EWK-... EWS-...	Knob-type handle	K-EW	178528	1
 <p>wa_vt31013</p>	EWK-... EWS-...	Two-way key-bit 3 mm	TVD3-EW	178529	1
 <p>VT104314</p>	EWK-... EWS-...	Standard rotary bolt, plastic, white	GS-EW	178530	1
Profile semi-cylinder					
 <p>VT33610</p>	SHG-EW	keyed alike	PHZ-E10/30-GS	138574	1
	SHG-EW	individually keyed	PHZ-E10/30-VS	138575	1
 <p>VT12510</p>	PHZ-E10/30-GS	Spare key for keyed alike	KEY-E10/30-GS	138576	1

Spare parts

Suitable for	Description	Type designation	Article no.	Pack (Pcs.)
Spare hinges				
 <p>wa_vt05110</p>	EWS-... EWK-... Spare hinges, 1 pair	HINGE-EWKS	178518	1
 <p>vt57415</p>	EWP-... Spare hinges, 1 pair	HINGE-EWP	178519	1

Distribution Boards BP-... for installation system EP

VT04110



- Installation Distribution Boards (floor-standing and surface-mounting boards)
- IP54
- Protection class I
- Sheet steel enclosure, polyester powder coated
- Frontplates useable as tray or cover lid
- Modular construction EP
- Depth 250 mm
- Generous wiring space
- Protection against mechanical impact up to IK08
- Grey (RAL 7035)

Floor Standing Distribution Board

- Distribution Installation board
- Degree of protection IP54
- Powder coated RAL 7035
- Protection class I
- Closed enclosure with 3 point clip down handle
- Changeable door hinges
- Prepared top/bottom cable entry for F3A flanges (flanges not in the scope of delivery)
- Prepared for norm insert system EP
- BPZ-TW mounting angles included (left and right) with left and right vertical rail
- BPZ-WW wall brackets included
- Depth 250 mm

VT03710



Width x Height x Depth (mm)	Type designation	Article No.	Pack (Pcs.)
350 x 1910 x 250	BPM-F-350/19/2-P-EP	147399	1
600 x 1910 x 250	BPM-F-600/19/2-P-EP	147410	1
850 x 1910 x 250	BPM-F-850/19/2-P-EP	147411	1
1100 x 1910 x 250	BPM-F-1100/19/2-P-EP	147412	1
1350 x 1910 x 250	BPM-F-1350/19/2-P-EP	147413	1
350 x 2060 x 250	BPM-F-350/20/2-P-EP	142444	1
600 x 2060 x 250	BPM-F-600/20/2-P-EP	142445	1
850 x 2060 x 250	BPM-F-850/20/2-P-EP	142446	1
1100 x 2060 x 250	BPM-F-1100/20/2-P-EP	142447	1
1350 x 2060 x 250	BPM-F-1350/20/2-P-EP	142448	1

Doors

- Sheet steel door with 3 point clip down handle

wa_vt03913



Width x Height (mm)	Type designation	Article No.	Pack (Pcs.)
350 x 1910	BPZ-DMS-350/19-P-EP	147414	1
600 x 1910	BPZ-DMS-600/19-P-EP	147415	1
850 x 1910	BPZ-DMS-850/19-P-EP	147416	1
1100 x 1910 (600+500)	BPZ-DMS-1100/19-P-EP	147417	1
1350 x 1910 (600+750)	BPZ-DMS-1350/19-P-EP	147418	1
350 x 2060	BPZ-DMS-350/20-P-EP	142449	1
600 x 2060	BPZ-DMS-600/20-P-EP	142450	1
850 x 2060	BPZ-DMS-850/20-P-EP	142451	1
1100 x 2060 (600+500)	BPZ-DMS-1100/20-P-EP	142452	1
1350 x 2060 (600+750)	BPZ-DMS-1350/20-P-EP	142453	1

Cover for base

- 1 pair side covers (right and left) incl. fixing material
- Sheet steel powder coated RAL 7035

VT06905



Depth x Height (mm)	Type designation	Article No.	Pack (Pcs.)
250 x 100	BPZ-SS-1/250-EP	142454	1
250 x 200	BPZ-SS-2/250-EP	142455	1

- 1 front cover for base incl. fixing material
- Sheet steel powder coated RAL 7035

wa_vt51413



Width x Height (mm)	Type designation	Article No.	Pack (Pcs.)
350 x 100	BPZ-FS-350/1	142456	1
600 x 100	BPZ-FS-600/1	293497	1
850 x 100	BPZ-FS-850/1	142457	1
1100 x 100	BPZ-FS-1100/1	142458	1
1350 x 100	BPZ-FS-1350/1	142459	1
350 x 200	BPZ-FS-350/2	142460	1
600 x 200	BPZ-FS-600/2	293499	1
850 x 200	BPZ-FS-850/2	142461	1
1100 x 200	BPZ-FS-1100/2	142462	1
1350 x 200	BPZ-FS-1350/2	142463	1

Cable Interconnect Frame

- For floorstanding board IP54
- Pre-assembled delivery
- Sheet steel powder coated RAL 7035
- Inner cover removeable
- Frame can be mounted on top or bottom
- Suitable for use with cable strain relief rail
- Fixing material included

wa_vt23313



Width x Height x Depth (mm)	Type designation	Article No.	Pack (Pcs.)
350 x 100 x 250	BPZ-KR3.51/250	142464	1
600 x 100 x 250	BPZ-KR61/250	142465	1
850 x 100 x 250	BPZ-KR8.51/250	142466	1
1100 x 100 x 250	BPZ-KR111/250	142467	1
1350 x 100 x 250	BPZ-KR131/250	142468	1
350 x 200 x 250	BPZ-KR3.52/250	142469	1
600 x 200 x 250	BPZ-KR62/250	142470	1
850 x 200 x 250	BPZ-KR8.52/250	142471	1
1100 x 200 x 250	BPZ-KR112/250	142472	1
1350 x 200 x 250	BPZ-KR132/250	142473	1

Wall Bracket

- Sheet steel zink coated
- Fixing material included
- Scope of delivery: 1 pair


vt28610



Type designation	Article No.	Pack (Pcs.)
BPZ-WW	142474	1


Cable Strain Relief Rail

- Suitable for use with BPZ-KR... cable interconnect frame
- C-Profil 16mm, zink coated
- Fixing material included

	Width (mm)	Type designation	Article No.	Pack (Pcs.)
	350	BPZ-KFS-350	142475	1
	600	BPZ-KFS-600	116294	1
	850	BPZ-KFS-850	142476	1
	1100	BPZ-KFS-1100	142477	1
	1350	BPZ-KFS-1350	142478	1

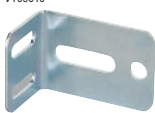
Universal Angle

- For fixing horizontal rail elements

	Type designation	Article No.	Pack (Pcs.)
	WEQV	143993	1


Special Angle

- For fixing horizontal rail elements

	Type designation	Article No.	Pack (Pcs.)
	WMPO	143994	1


Support Rail

- For vertical interior fittings
- With drilled holes for mounting devices
- Interior fitting of the Profi+ board with:
 - vertical support rail EPTV
 - assembly equipment BPZ-TW (for 250 mm)

	Height (mm)	Type designation	Article No.	Pack (Pcs.)
	1800	EPTV1800	143849	1
	1950	EPTV1950A-BP	143850	1

Support Rail Angle, 250 mm depth, for Profi+

- For mount the vertical rail EPTV
- Fixing material included
- Scope of delivery: 1 pair

	Depth (mm)	Type designation	Article No.	Pack (Pcs.)
	250	BPZ-TW	143864	1

Installation distribution boards BP-... for installation system EP

System description

Profi+ boards are tailored to meet the customers need with a bottom of the line manufacturing, stable construction and flexible application possibility. The distribution board is a tested system that can be used as power distribution board or control distribution board. A stand alone or add-on solution is possible. The installation system EP with it factory assembled devices sum up the whole system.

The design principle of Profi+, 250 mm depth

The enclosure consists of a welded construction. The rear wall is welded on the board as well. To add on the board there have to be done cut outs at the side walls according to requirements. The doors and the double doors at a width of 1100 mm are containing a 3 point lock and got a 100 degree opening angle. The standard solution got a clip down handle which can be activated with different half cylinder.

Standard configuration

The board system is configured for the type EP. At the EP board system there is a left or right assembly kid already factory-provided. At this assembly kid it is possible to adjust the system EP within a modular grid of 12,5 mm. Therefore, devices with deeper mounting depth can be used. Furthermore, the enclosure got mounted a sheet steel protection against contract and the outer rails.

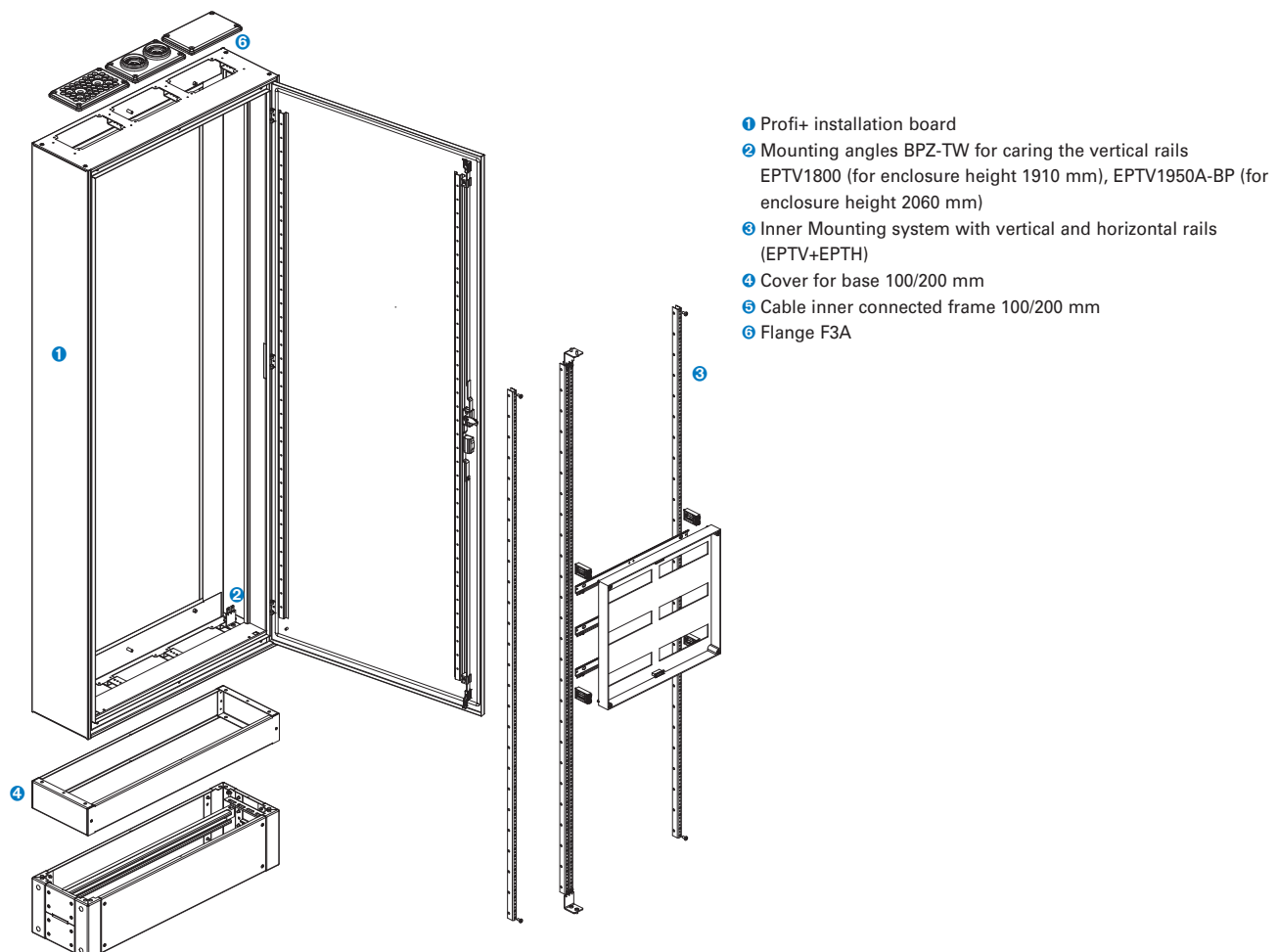
Further mounting options

A 100/200 mm front and side covers are available for the base. In addition there can be used a cable interconnected frame too.

The system EP with Profi+

The inner disassembly of the board Profi+ take place with the mounting system EP. For this, there are vertical rails EPTV within a grid of 250/500/750 mm mounted in order to mount the devices into the board.

For the grid spacing are two vertical rails (EPTV1800 for enclosure height 1910 mm, EPTV1950A-BP for enclosure height 2060 mm) mounted to connect the insert.



Technical data of Profi+

Application:

Stand alone or add-on distribution board.

Construction:

The board consist of a 1.0 – 1.25 mm thick welded sheet steel. The rear wall is welded on the board as well. Roof- and bottom cable entries are prepared for F3A flange.

Material:

Board: side parts 1.25 mm sheet steel, Top- Bottom panel 1.25 mm sheet steel

Door: 1.25 mm sheet steel

Rear wall: 1.0 mm sheet steel

Surface area:

Board incl. rear wall: power coated, thickness >50µm

Door: power coated >50µm

Door:

Sheet steel 1.25 mm, curb 18 mm

Right hinged (reversible door hinging possible)

2 doors up to 1100 mm width

Opening angle till 100°

Door lock:

Standard: 3 point lock with clip down handle

Optional: Two way bit and different cylinder locks

Insert rail system:

Prepared to carry the system EP

Mounting set BPZ-TW and EPTV1800 (for enclosure height 1910 mm), EPTV1950A-BP (for enclosure height 2060 mm) mounted left and right.

Protecting covers are included within the board. The outer rails also.

Accessories:

Ventilation louvers, mounting plates, flanges, lifting eye bolt, spray RAL 7035, set of wall brackets

Cable entry:

F3A flange at the bottom and top of the board

Protection class:

Protection class I

Degree of protection:

Standards VDE0100, part 410 and IEC-EN 60529

Closed door IP54, open door IP31

Shock resistant IK08

Color:

Board, door, base cover: RAL 7035 light grey

Dimensions:

Inside:

Height 1800, 1950 mm

Width 250, 500, 750, 1000, 1250 mm

Outside:

Height 1910, 2060 mm

Width 350, 600, 850, 1100, 1350 mm

Cover for base:

Standard: 100/200 mm

Cable interconnect frame: 100/200 mm

Scope of delivery:

Complete board with door

Top- bottom part prepared to mount F3A flange

The angle BPZ-TW for mounting the left and right rail EPTV1800 (for enclosure height 1910 mm), EPTV1950A-BP (for enclosure height 2060 mm) is already pre-mounted, wall brackets BPZ-WW are included

Electrical data:

Rated isolation voltage AC

$U_i = 440 \text{ V}$

Rated voltage AC

$U_e = 415 \text{ V}$

Rated Frequency

$f = 50\text{-}60 \text{ Hz}$

Rated current

$I_e = 630 \text{ A}$

Isolation voltage

$U_{imp} = 4 \text{ kV}$

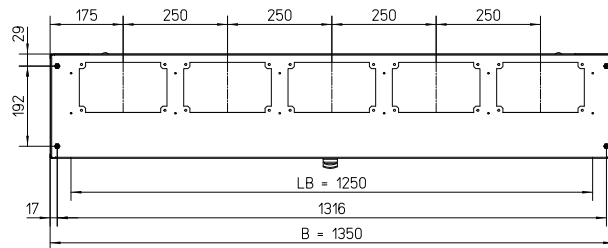
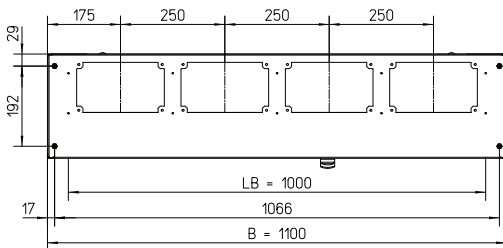
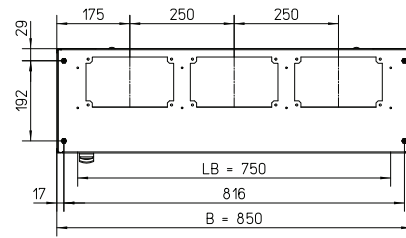
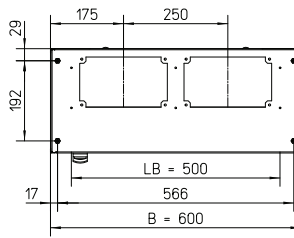
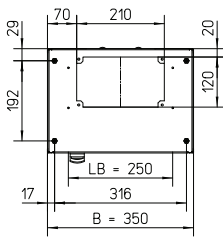
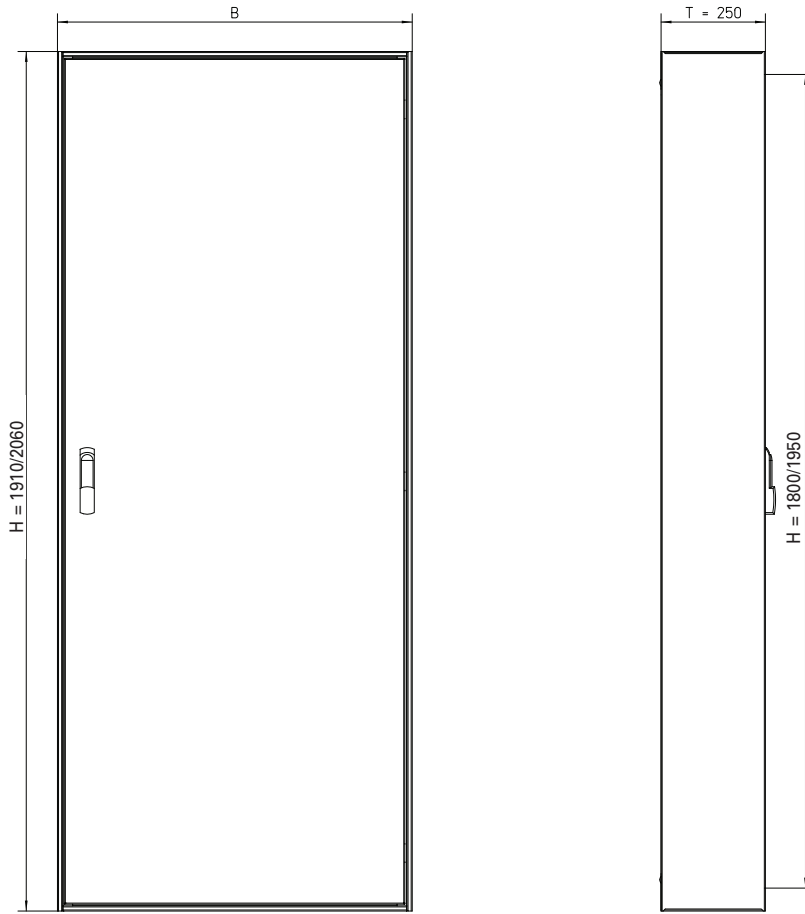
Ambient temperature

-5 up to +45 °C

Design according to:

Type tested device combination according to IEC/EN 61439-1/2, IEC/EN 62208

Dimensions



Standard-Section EP Fitting-System

VT04110



- The standard-section fitting-system is a system for the set-up of factory-built, type-tested switchgear assemblies
- Universal and stable system
- Efficient in planning and project development
- Flexible and easy-to-mount design
- Flexibility in project development thanks to individual assembly options with standard inserts for standard sections or standard parts for different areas of application
- Time-saving mounting of individual standard-section modules and components thanks to screw-type or clamping technique
- A large number of type-tested assemblies for standard-section modules do not require any further mechanical handling
- Quick and easy mounting thanks to a high percentage of factory-assembled components
- High level of safety and security in operating and service is guaranteed thanks to type-tested distribution systems conforming to the IEC/EN 61439-1/2 standard

For meter, installation and power distribution boards in our cabinet systems:

- Wall-mounted distribution cabinets EWS up to 250 A and EWP up to 250 A
- Floor-standing distribution cabinet BPM-F up to 630 A
- Floor-standing distribution cabinet xVTL up to 2500 A
- Floor-standing distribution cabinet xEnergy up to 4000 A

Standard-Section EP Fitting-System - Modules

**xEnergy
Basic**

Description	Dimensions W x H [mm]	Type description	Encl. type Eaton article	1	2	3	6	7	8	9
				EWS 210 deep	EWP 225 deep	BPM 250 deep	XVTL 300 deep	XVTL 400 deep	XVTL 600 deep	XVTL 800 deep
EP for Dumeco 125A 3P 4P	250 x 150	EP21GLD125-OG	143967	1	2	3	6	7	8	9
➤ Dumeco 125A 3P+solid neutral		DMM-125/1	1314210							
➤ Dumeco 125A 4P		DMM-125/4	1314211							
➤ Dumeco 160A 3P+solid neutral		DMM-160/1	6093345							
➤ Dumeco 160A 4P		DMM-160/4	6093346							
+ Cage clamp terminal to fix switch on top hat profile (2x)										
EP for Dumeco 160A 3P 4P	250 x 300	EP22GLD160-OG	143968	1	2	3	6	7	8	9
➤ Dumeco 160A 3P+solid neutral M6		DMV-160N/3	1814178							
➤ Dumeco 160A 4P M6		DMV-160N/4	1814179							
+ Operation handle grey D-type		K2SDG/P	1818034							
+ Operation axis HxWxL=6x6x400mm			1314693							
EP for Dumeco 250-400A 3P 4P	250 x 300	EP22GLD250/400-OG	143969	1 ³⁾	2	3	6	7	8	9
➤ Dumeco 160A 3P+solid neutral M8		DMVS-160N/3	1814186							
➤ Dumeco 160A 4P M8		DMVS-160N/4	1814188							
➤ Dumeco 250A 3P+solid neutral M8		DMV-250N/3	1814408							
➤ Dumeco 250A 4P M8		DMV-250N/4	1814410							
➤ Dumeco 400A 3P+solid neutral M10		DMV-400N/3	1814411							
➤ Dumeco 400A 4P M10		DMV-400N/4	1814413							
+ Operation handle grey D-type		K3KDG/P	1818069							
+ Operation axis HxWxL=10x10x400mm			1050243							
EP for Dumeco 630-1000A 3P 4P	500 x 450	EP53GLD630/1000-OG	143970					7	8	9
➤ Dumeco 630A 3P+solid neutral M10		DMV-630N/3	1814442							
➤ Dumeco 630A 4P M10		DMV-630N/4	1814444							
➤ Dumeco 1000A 3P+solid neutral M12		DMV-1000N/3	1814445							
➤ Dumeco 1000A 4P M12		DMV-1000N/4	1814447							
+ Operation handle grey D-type		K5DG/P	1818058							
+ Operation axis HxWxL=14x14x400mm			1050247							
EP for Dumeco 1250-1600A 3P 4P	500 x 450	EP53GLD1250/1600-OG	143971					7	8	9
➤ Dumeco 1250A 3P+solid neutral M16		DMV-1250N/3	1814590							
➤ Dumeco 1250A 4P M16		DMV-1250N/4	1814592							
➤ Dumeco 1600A 3P+solid neutral M12 (2x)		DMV-1600N/3	1814595							
➤ Dumeco 1600A 4P M12 (2x)		DMV-1600N/4	1814597							
+ Operation handle grey D-type		K6DG/P	1818064							
+ Operation axis HxWxL=14x14x400mm			1050250							
EP for QSA 63-160A NH00 3P 4P	250 x 300	EP22QSA063/125/160-OG	143972		2	3	6	7	8	9
➤ QSA 160A NH00 3P+solid neutral M8		QSA160N1-00/1	1318552							
➤ QSA 160A NH00 3P+switching neutral M8		QSA160N1-00/3N	1318553							
+ Operation handle blue A-type		K2AB	1818005							
+ Operation axis HxWxL=8x8x115mm			1319303							
EP for QSA 250-400A NH2 3P 4P	500 x 300	EP52QSA250/400-OG	143973					7	8	9
➤ QSA 250A NH2 3P+solid neutral M10		QSA250N-2/1	1318554							
➤ QSA 250A NH2 3P+switching neutral M10		QSA250N-2 3N	1318555							
➤ QSA 400A NH2 3P+solid neutral M10		QSA400N-2/1	1318612							
➤ QSA 250A NH2 3P+switching neutral M10		QSA400N-2/3N	1318614							
+ Operation handle grey D-type		K3KDG/P	1818069							
+ Operation axis HxWxL=10x10x300mm			1319319							
EP for QSA 630A NH3 3P 4P	500 x 450	EP53QSA630-OG	143974					7	8	9
➤ QSA 630A NH3 3P+solid neutral M12		QSA630-3/1	1318694							
➤ QSA 630A NH3 3P+switching neutral M12		QSA630-3/3N	1318699							
+ Operation handle blue A-type		K4DG/P	1818052							
+ Operation axis HxWxL=12x12x300mm			1319326							

Standard-Section EP Fitting-System - Modules

**xEnergy
Basic**

Description	Dimensions W x H [mm]	Type description	Encl. type Eaton article	1	2	3	6	7	8	9
				EWS 210 deep	EWP 225 deep	BPM 250 deep	XVTL 300 deep	XVTL 400 deep	XVTL 600 deep	XVTL 800 deep
EP for NZM1 160A 3P 4P	250 x 300	EP22NZM1-OG	143975			3	6	7	8	9
➤ NZMN 63A 50kA 3P box terminal, toggle		NZMN1-A63	259083							
➤ NZMN 63A 50kA 4P box terminal, toggle		NZMN1-4-A63	265815							
➤ NZMN 125A 50kA 3P box terminal, toggle		NZMN1-A125	259086							
➤ NZMN 125A 50kA 4P box terminal, toggle		NZMN1-4-A125	265821							
EP for NZM2 300A 3P 4P	250 x 300	EP22NZM2-OG	143976			3	6	7	8	9
➤ NZMN 160A 50kA 3P box terminal, toggle		NZMN2-A160	259092							
➤ NZMN 160A 50kA 4P box terminal, toggle		NZMN2-4-A160	265860							
➤ NZMN 250A 50kA 3P box terminal, toggle		NZMN2-A250	259094							
➤ NZMN 250A 50kA 4P box terminal, toggle		NZMN2-4-A250	265866							
EP for NZM3 630A 3P 4P toggle	250 x 450	EP23NZM3K-OG	143977			3	6	7	8	9
➤ NZMN 400A 50kA 3P box terminal, toggle		NZMN3-A400	109670							
➤ NZMN 400A 50kA 4P box terminal, toggle		NZMN3-4-A400	109696							
➤ NZMN 630A 50kA 3P box terminal, toggle		NZMN3-AE630	259115							
➤ NZMN 630A 50kA 4P box terminal, toggle		NZMN3-4-AE630	265894							
EP for NZM4 1600A 3P 4P toggle	500 x 750	EP55NZM4K-OG	143979					7	8	9
➤ NZMN 800A 50kA 3P box terminal, toggle		NZMN4-AE800	265759							
➤ NZMN 800A 50kA 4P box terminal, toggle		NZMN4-4-AE800	265909							
➤ NZMN 1000A 50kA 3P box terminal, toggle		NZMN4-AE1000	265760							
➤ NZMN 1000A 50kA 4P box terminal, toggle		NZMN4-4-AE1000	265912							
➤ NZMN 1250A 50kA 3P box terminal, toggle		NZMN4-AE1250	265761							
➤ NZMN 1250A 50kA 4P box terminal, toggle		NZMN4-4-AE1250	265915							
➤ NZMN 1600A 50kA 3P box terminal, toggle		NZMN4-AE1600	265762							
➤ NZMN 1600A 50kA 4P box terminal, toggle		NZMN4-4-AE1600	265918							
EP for NZM3 630A 3P 4P rotary	250 x 450	EP23NZM3R-OG	143978			3	6	7	8	9
EP for NZM4 1600A 3P 4P rotary	500 x 750	EP55NZM4R-OG	143980					7	8	9
EP for D fuse holders 3P 6xD02 3xDIII RM	250 x 300	EP22GRC162-OG	143943	1	2	3	6	7	8	9
EP for D fuse holders 3P 15xD02 9xDII RM	500 x 300	EP52GRC405-OG	143944	1	2	3	6	7	8	9
EP for D fuse holders 3P 12xD02 6xDIII RM	250 x 450	EP23GRC324-OG	143945	1 ¹⁾	2 ¹⁾	3 ¹⁾	6	7	8	9
EP for D fuse holders 3P 15xD02 9xDII RM	500 x 450	EP53GRC405-OG	143946	1	2	3	6	7	8	9
➤ Plugable fuse holder DII 25A 3P 45mm wide		DII-SO/25/3-R-PS	110394							
➤ Plugable fuse holder DIII 63A 3P 54mm wide		DIII-SO/63/3-R-PS	110395							
➤ Plugable fuse holder D02 63A 3P 27mm wide		D02-SO/63/3-R-27	114315							
+ Busbar support 60mm L1 L2 L3 315-630A		SL63032	148583							
+ Copper bar 20x5mm length 245/495/445mm (3x)										
EP for GTL fuse switch 3P 4x NH00 RM	250 x 600	EP24GTL400-OG	143949	1 ²⁾	2	3	6	7	8	9
EP for GTL fuse switch 3P 9x NH00 RM	500 x 600	EP54GTL900-OG	143950			3	6	7	8	9
EP for GTL fuse switch 3P 14x NH00 RM	750 x 600	EP74GTL1400-OG	143951			3	6	7	8	9
➤ GTL fuse switch NH00 160A 3P M8 BB100mm		SL63032	148583							
EP for GTL fuse switch 3P 4x NH1-3 RM	500 x 750	EP55GTL4-OG	143955					7	8	9
EP for GTL fuse switch 3P 7x NH1-3 RM	750 x 750	EP75GTL7-OG	143956					7	8	9
➤ FCFSD fuse switch NH1 250A 3P M10 BB185mm		FCFSDNH1BB185	149436							
➤ FCFSD fuse switch NH2 400A 3P M12 BB185mm		FCFSDNH2BB185	149437							
➤ FCFSD fuse switch NH3 630A 3P M12 BB185mm		FCFSDNH3BB185	149438							
+ Busbar support 1850mm L1 L2 L3 630-2000A		T2000/3-R185VT	148591							
+ Copper bar max. 100x10mm length 600mm (3x)										

Standard-Section EP Fitting-System - Modules

**xEnergy
Basic**

Description	Dimensions W x H [mm]	Type description	Encl. type Eaton article	1	2	3	6	7	8	9
				EWS 210 deep	EWP 225 deep	BPM 250 deep	XVTL 300 deep	XVTL 400 deep	XVTL 600 deep	XVTL 800 deep
EP for XNH fuse switch 3P 1x NH00 MP	250 x 300	EP22XNH001-OG	184527	1	2	3	6	7	8	9
EP for XNH fuse switch 3P 2x NH00 MP	250 x 300	EP22XNH002-OG	184528	1	2	3	6	7	8	9
EP for XNH fuse switch 3P 4x NH00 MP	250 x 450	EP52XNH004-OG	184529	1	2	3	6	7	8	9
EP for XNH fuse switch 4P 1x NH00 MP	250 x 300	EP22XNH001-4-OG	184530	1	2	3	6	7	8	9
EP for XNH fuse switch 4P 3x NH00 MP	500 x 300	EP52XNH003-4-OG	184531	1	2	3	6	7	8	9
➤ XNH fuse switch NH00 160A 3P, M8		XNH00-A160	183025							
➤ XNH fuse switch NH00 160A 3P, M8, LED		XNH00-FCL-A160	183027							
+ XNH fuse switch NH00 160A 1P, M8		XNH00-1-A160	183031							
+ Connection kit to connect 3P+1P to 4P		XNH-XLINK	182999							
EP for XNH fuse switch 3P 1x NH1 MP	250 x 450	EP23XNH11-OG	184532	1	2	3	6	7	8	9
EP for XNH fuse switch 4P 1x NH1 MP	500 x 450	EP53XNH11-4-OG	184533	1	2	3	6	7	8	9
➤ XNH fuse switch NH1 250A 3P, M10		XNH1-A250	183043							
➤ XNH fuse switch NH1 250A 3P, M10, LED		XNH1-FCL-A250	183045							
+ XNH fuse switch NH1 250A 1P, M10		XNH1-1-A250	183049							
+ Connection kit to connect 3P+1P to 4P		XNH-XLINK	182999							
EP for XNH fuse switch 3P 1x NH2 MP	250 x 450	EP23XNH21-OG	184534		2	3	6	7	8	9
EP for XNH fuse switch 3P 2x NH2 MP	500 x 450	EP53XNH22-OG	184535		2	3	6	7	8	9
➤ XNH fuse switch NH2 400A 3P, M10		XNH2-A400	183057							
➤ XNH fuse switch NH2 400A 3P, M10, LED		XNH2-FCL-A400	183059							
+ XNH fuse switch NH2/3 630A 1P, M10		XNH32-1-A630	183063							
+ Connection kit to connect 3P+1P to 4P		XNH-XLINK	182999							
EP for XNH fuse switch 3P 1x NH3 MP	500 x 450	EP53XNH31-OG	184536	1	2	3	6	7	8	9
➤ XNH fuse switch NH3 630A 3P, M10		XNH3-A630	183071							
➤ XNH fuse switch NH3 630A 3P, M10, LED		XNH3-FCL-A630	183073							
EP for LTS fuse switch 3P 3x NH000 RM	250 x 300	EP22GRT3000R-OG	143947	1	2	3	6	7	8	9
EP for LTS fuse switch 3P 6x NH000 RM	500 x 300	EP52GRT6000R-OG	143948	1	2	3	6	7	8	9
➤ LTS fuse switch NH000 100A 3P, box terminal		LTS-100/C00/3-R	284690							
+ Busbar support 60mm L1 L2 L3 315-630A		SL63032	148583							
+ Copper bar 20x5mm length 245/495mm (3x)										
EP for XNH fuse switch 3P 1x NH00 RM	250 x 300	EP22XNH001R-OG	184537	1	2	3	6	7	8	9
EP for XNH fuse switch 3P 2x NH00 RM	250 x 300	EP22XNH002R-OG	184538	1	2	3	6	7	8	9
EP for XNH fuse switch 3P 4x NH00 RM	500 x 300	EP52XNH004R-OG	184539	1	2	3	6	7	8	9
➤ XNH fuse switch NH00 160A 3P, BT2, BB60mm		XNH00-S160-BT2	183035							
➤ XNH fuse switch NH00 160A 3P, BT2, BB60mm, LED		XNH00-FCL-S160-BT2	183038							
+ Busbar support 60mm L1 L2 L3 315-630A		SL63032	148583							
+ Copper bar 20x5mm length 245/495mm (3x)										
EP for XNH fuse switch 3P 1x NH1 RM	250 x 450	EP23XNH11R-OG	184540		2	3	6	7	8	9
➤ XNH fuse switch NH1 250A 3P, M10, BB60mm		XNH1-S250	183051							
➤ XNH fuse switch NH1 250A 3P, M10, BB60mm, LED		XNH1-FCL-S250	183053							
+ Busbar support 60mm L1 L2 L3 315-630A		SL63032	148583							
+ Copper bar 20x5mm length 245mm (3x)										
EP for XNH fuse switch 3P 1x NH2 RM	250 x 450	EP23XNH21R-OG	184541			3	6	7	8	9
➤ XNH fuse switch NH2 400A 3P, M10, BB60mm		XNH2-S400	183065							
➤ XNH fuse switch NH2 400A 3P, M10, BB60mm, LED		XNH2-FCL-S400	183067							
+ Busbar support 60mm L1 L2 L3 315-630A		SL63032	148583							
+ Copper bar 30x5mm length 245mm (3x)										
EP for kWh meter single	250 x 450	EP23Z1	143959	1	2	3	6	7	8	9
EP for kWh meter double	250 x 750	EP25Z2	143960	1	2	3	6	7	8	9

Remarks

- 1) Do not place in top or bottom enclosure.
- 2) When next to door lock, maximal 3 fuse switches.

3)

In EWS till max. 250 A.

NH Load Disconnecter Fitting Unit Size 00 Empty

- Mounting plate structure for NH load disconnecter, size 00, up to 160A, 3 and 4 poles, type XNH00
- Pan version
- Handles and quick-acting fastening pins are not included in the scope of delivery
- Cover plate holders and support rails are not included in the scope of delivery
- Cover plate is RAL 9002, cover plate handle is RAL 7024
- Power loss P_v relates to the max. fitting capacity of the module

VT05710



Width x Height (mm)	Number	Type designation	Article no.	Pack (Pcs.)
250x300	1 x XNH00 3-pole	EP22XNH001-OG	184527	1
250x300	2 x XNH00 3-pole	EP22XNH002-OG	184528	1
500x300	4 x XNH00 3-pole	EP52XNH004-OG	184529	1
250x300	1 x XNH00 4-pole	EP22XNH001-4-OG	184530	1
500x300	3 x XNH00 4-pole	EP52XNH003-4-OG	184531	1

NH Load Disconnecter Fitting Unit Size 1 Empty

- Mounting plate structure for NH load disconnecter, size 1, up to 250A, 3 and 4 poles, type XNH1
- Pan version
- Handles and quick-acting fastening pins are not included in the scope of delivery
- Cover plate holders and support rails are not included in the scope of delivery
- Cover plate is RAL 9002, cover plate handle is RAL 7024
- Power loss P_v relates to the max. fitting capacity of the module

VT05210



Width x Height (mm)	Number	Type designation	Article no.	Pack (Pcs.)
250x450	1 x XNH1 3-pole	EP23XNH11-OG	184532	1
500x450	1 x XNH1 4-pole	EP53XNH11-4-OG	184533	1

NH Load Disconnecter Fitting Unit Siz 2 Empty

- Mounting plate structure for NH load disconnecter, size 2, up to 400A, 3 poles, type XNH2
- Pan version
- Handles and quick-acting fastening pins are not included in the scope of delivery
- Cover plate holders and support rails are not included in the scope of delivery
- Cover plate is RAL 9002, cover plate handle is RAL 7024
- Power loss P_v relates to the max. fitting capacity of the module


VT05310



Width x Height (mm)	Number	Type designation	Article no.	Pack (Pcs.)
250x450	1 x XNH2 3-pole	EP23XNH21-OG	184534	1
500x450	2 x XNH2 3-pole	EP53XNH22-OG	184535	1

NH Load Disconnecter Fitting Unit Size 3 Empty

- Mounting plate structure for NH load disconnecter, size 3, up to 630A, 3 poles, type XNH3
- Pan version
- Handles and quick-acting fastening pins are not included in the scope of delivery
- Cover plate holders and support rails are not included in the scope of delivery
- Cover plate is RAL 9002, cover plate handle is RAL 7024
- Power loss P_v relates to the max. fitting capacity of the module

	Width x Height (mm)	Number	Type designation	Article no.	Pack (Pcs.)
	500x450	1 x XNH3 3-pole	EP53XNH31-0G	184536	1

VT06610



NH Load Disconnecter Fitting Unit Unit Size 000 Empty

- Busbar mounting
- Fitting unit without devices, for NH load disconnecter size 000 and size 00, type LTS-100/C00/3-R and XNH00
- Fuse elements for 5mm Cu can also be used for 10 mm Cu thanks to the conversion option
- Busbar support type SL63032 with a center-to-center distance of 60 mm between the phases and Cu is not included in the scope of delivery
- Pan version
- Handles and quick-acting fastening pins are not included in the scope of delivery
- Cover plate holders and support rails are not included in the scope of delivery
- Cover plate is RAL 9002, cover plate handle is RAL 7024
- Power loss P_v relates to the max. fitting capacity of the module
- There is no option for lugging the fitting unit



VT06110

Width x Height (mm)	Number	Type designation	Article no.	Pack (Pcs.)
250x300	3 x size 000	EP22GRT3000R-OG	143947	1
500x300	6 x size 000	EP52GRT6000R-OG	143948	1

NH Load Disconnecter Fitting Unit Size 00 - 2 Empty

- Busbar mounting
 - for NH load disconnecter size 00, up to 160A, 3-pole, type XNH00, on copper bar with thickness 5 or 10 mm
 - for NH load disconnecter size 1, up to 250A, 3-pole, type XNH1, on copper bar with thickness 4 - 10 mm
 - for NH load disconnecter size 2, up to 400A, 3-pole, type XNH2, on copper bar with thickness 4 - 10 mm
- Busbar support SL63032 and Cu are not included in the scope of delivery
- Pan version
- Handles and quick-acting fastening pins are not included in the scope of delivery
- Cover plate holders and support rails are not included in the scope of delivery
- Cover plate is RAL 9002, cover plate handle is RAL 7024
- Power loss P_v relates to the max. fitting capacity of the module



VT05110

Width x Height (mm)	Number	Type designation	Article no.	Pack (Pcs.)
250x300	1 x XNH00 3-pole	EP22XNH001R-OG	184537	1
250x300	2 x XNH00 3-pole	EP22XNH002R-OG	184538	1
250x450	2 x XNH00 3-pole	EP23XNH002R-OG	187907	1
500x300	4 x XNH00 3-pole	EP52XNH004R-OG	184539	1
250x450	1 x XNH1 3-pole	EP23XNH11R-OG	184540	1
250x450	1 x XNH2 3-pole	EP23XNH21R-OG	184541	1

NH In-line Fuse Switch-Disconnecter Fitting Unit Size 00 Empty

- Busbar mounting
prepared for NH in-line fuse switch-disconnectors size 00, up to 160A, 3-pole, busbar system type TN630/3-R10 with a center-to-center distance of 100 mm between the phases and Cu (Icw 35 kA/1s) is included
- The fitting unit is fed-in at the center
- The NH in-line fuse switch-disconnectors are mounted on the busbar system either with screws (not included in the scope of the delivery) or with claws (included in the scope of delivery of the NH in-line fuse switch-disconnector)
- The fitting unit can be mounted with cable connection either from above or from below
- Hood version
- Handles and quick-acting fastening pins are not included in the scope of delivery
- Cover plate holders and support rails are not included in the scope of delivery
- Cover plate is RAL 9002, cover plate handle is RAL 7024
- Power loss P_v relates to the max. fitting capacity of the module

VT06510



Width x Height (mm)	Number	Type designation	Article no.	Pack (Pcs.)
Type FCFSDNH00BB100, FCFSDNH00BB100-CTO				
250x600	4 x size 00, Cu 30 x 5	EP24GTL400-OG	143949	1
500x600	9 x size 00, Cu 30 x 5	EP54GTL900-OG	143950	1
750x600	14 x size 00, Cu 30 x 10	EP74GTL1400-OG	143951	1

Blanking strip (material: PVC 2.5 mm)

50x429		EPCOVER50-P100-JM	155453	1
100x429		EPCOVER100-P100-JM	155454	1

NH In-line Fuse Switch-Disconnecter Fitting Unit Size 1-3 Empty

- Prepared for NH in-line fuse switch-disconnector size 1-3, up to 630A, 3-pole, type FCFSDNH...
- Busbar system T2000/3-R185VT Cu up to 100x10 with a center-to-center distance of 185 mm between the phases is not included in the scope of delivery
- The fitting unit can be fed-in at the center or it can directly be used as a main bus bar system
- The fed-in at the bus bar system can also be accessed through the separate infeed module EP25AP-GTL with closed cover
- NH in-line fuse switch-disconnectors are screw-mounted on the busbar system (input screws not included in the scope of delivery)
- Hood version
- Handles and quick-acting fastening pins are not included in the scope of delivery
- Cover plate holders and support rails are not included in the scope of delivery
- Cover plate is RAL 9002, cover plate handle is RAL 7024
- Power loss P_v relates to the max. fitting capacity of the module
- Note: can be used as of a cabinet depth of 400 mm

VT07010



Width x Height (mm)	Number	Type designation	Article no.	Pack (Pcs.)
250x500	blind	EP25AP-GTL	180442	1
500x750	4 x size 1-3	EP55GTL4-OG	143955	1
750x750	7 x size 1-3	EP75GTL7-OG	143956	1

Blanking strip (material: PVC 2.5 mm)

50x666		EPCOVER50-P185-JM	155457	1
100x666		EPCOVER100-P185-JM	155458	1

Busbar-Mounting Fuse Base Fitting Units Empty

- Busbar-mounting fitting unit without devices, for fuse bases D02, DII and DIII 3-pole
- Thanks to the conversion option, fuse elements for 5 mm Cu can also be used for 10 mm Cu
- Busbar support type SL63032 with a center-to-center distance of 60 mm between the phases and Cu (not included in the scope of delivery)
- The fitting unit is fed-in from the side
- Pan version
- Handles and quick-acting fastening pins are not included in the scope of delivery
- Cover plate holders and support rails are not included in the scope of delivery
- Cover plate is RAL 9002, cover plate handle is RAL 7024
- Power loss P_v relates to the max. fitting capacity of the module
- There is no option for lugging the fitting unit



Width x Height (mm)	Number	Type designation	Article no.	Pack (Pcs.)
250x300	6 x D02 or 3x DII	EP22GRC162-OG	143943	1
500x300	15 x D02 or 9 x DII	EP52GRC405-OG	143944	1
250x450	12 x D02 or 6 x DIII	EP23GRC324-OG	143945	1
500x450	15 x D02 or 9 x DII	EP53GRC405-OG	143946	1

Modular Installation Devices Fitting Unit

- For modular installation devices with snap-on fixing, 3 DIN support rails 35x7.5 mm are included
- Distance between terminal blocks is 150 mm
- Cover plate with a cut-out, 45 mm frame size
- Pan version
- Handles and quick-acting fastening pins are not included in the scope of delivery
- Cover plate holders are not included in the scope of delivery
- Cover plate is RAL 9002, cover plate handle is RAL 7024
- No fitting restrictions



Width x Height (mm)	MU	Type designation	Article no.	Pack (Pcs.)
250x150	12	EP21RG	143897	1
250x300	24	EP22RG	143898	1
250x450	36	EP23RG	143899	1
250x600	48	EP24RG	143900	1
250x750	60	EP25RG	143901	1
500x150	24	EP51RG	143902	1
500x300	48	EP52RG	143903	1
500x450	72	EP53RG	143904	1
500x600	96	EP54RG	143905	1
500x750	120	EP55RG	143906	1
750x300	72	EP72RG	143907	1
750x450	108	EP73RG	143908	1
750x600	144	EP74RG	143909	1

DIN Rail Fitting Unit

- For modular installation devices with snap-on fixing or for block terminals, 3 DIN support rails of 35x7.5 mm are included
- Distance between terminal blocks is 150 mm
- Cover plate without a cut-out
- Pan or hood version is possible
- Handles and quick-acting fastening pins are not included in the scope of delivery
- Cover plate holders are not included in the scope of delivery
- Cover plate is RAL 9002, cover plate handle is RAL 7024
- No fitting restrictions

VT05410



Width x Height (mm)	MU	Type designation	Article no.	Pack (Pcs.)
250x150	12	EP21RK1	143910	1
250x300	24	EP22RK2	143911	1
250x450	36	EP23RK2	143912	1
500x150	24	EP51RK1	143913	1
500x300	48	EP52RK2	143914	1
500x450	72	EP53RK2	143915	1

Mounting Plate Fitting Unit

- With mounting plate for devices with screw-fixing, mounting level down to 67.5mm is possible in 12 steps thanks to suitable drop-down shackles
- Cover plate without a cut-out
- Pan or hood version is possible
- Handles and quick-acting fastening pins are not included in the scope of delivery
- Cover plate holders are not included in the scope of delivery
- Cover plate is RAL 9002, cover plate handle is RAL 7024
- No fitting restrictions
- Incorporation of energy meter modules is possible as of EPMP51
- Incorporation of terminal boxes is possible

VT06910



Width x Height (mm)	MU	Type designation	Article no.	Pack (Pcs.)
250x150	12	EP21MP	143916	1
250x300	24	EP22MP	143917	1
250x450	36	EP23MP	143918	1
500x150	24	EP51MP	143919	1
500x300	48	EP52MP	143920	1
500x450	72	EP53MP	143921	1

Load Disconnecter Fitting Unit Dumeco Equipped Empty

- Mounting plate structure
 - for load disconnectors up to 1600 A, 3 and 4 poles
 - for assembly version with a rotary drive directly on the cover plate
- For using a door coupling-handle you need to order a switch position display separately
- Pan version
- Handles and quick-acting fastening pins are not included in the scope of delivery
- Cover plate holders and support rails are not included in the scope of delivery
- Cover plate is RAL 9002, cover plate handle is RAL 7024
- Power loss P_v relates to the max. fitting capacity of the module

VT05910



Width x Height (mm)	Dimension	Type designation	Article no.	Pack (Pcs.)
250x150	125A, 3P+4P	EP21GLD125-OG	143967	1
250x300	160A, 3P+4P	EP22GLD160-OG	143968	1
250x300	250, 400A, 3+4P	EP22GLD250/400-OG	143969	1
500x450	630, 1000A, 3+4P	EP53GLD630/1000-OG	143970	1
500x450	1250, 1600A, 3+4P	EP53GLD1250/1600-OG	143971	1

NH Fuse Load Disconnecter Fitting Unit QSA Empty

- Mousing plate structure
for load disconnecter with NH fuses up to 630 A, 3 and 4 poles
for the assembly version with a rotary drive directly on the load disconnecter
- Hood version
- Handles and quick-acting fastening pins are not included in the scope of delivery
- Cover plate holders and support rails are not included in the scope of delivery
- Cover plate is RAL 9002, cover plate handle is RAL 7024
- Power loss P_v relates to the max. fitting capacity of the module

VT05610



Width x Height (mm)	Dimension	Type designation	Article no.	Pack (Pcs.)
250x300	63, 125, 160A, 3+4P	EP22QSA063/125/160-OG	143972	1
500x300	250, 400A, 3+4P	EP52QSA250/400-OG	143973	1
500x450	630A, 3P+4P	EP53QSA630-OG	143974	1

Circuit Breaker Fitting Unit NZM Empty

- Mousing plate structure
for circuit breakers NZM up to 1600 A, 3 and 4 poles
for assembly version with direct clip-down bolt drive and rotary door coupling handle
- Pan or hood version is possible
- Handles and quick-acting fastening pins are not included in the scope of delivery
- Cover plate holders and support rails are not included in the scope of delivery
- Cover plate is RAL 9002, cover plate handle is RAL 7024
- Power loss P_v relates to the max. fitting capacity of the module

VT06710



Width x Height (mm)	Dimension	Type designation	Article no.	Pack (Pcs.)
250x300	160A, 3P+4P	EP22NZM1-OG	143975	1
250x300	300A, 3P+4P	EP22NZM2-OG	143976	1
250x450	630A, 3P+4P	EP23NZM3K-OG	143977	1
250x450	630A, 3P+4P	EP23NZM3R-OG	143978	1
500x750	1600A, 3P+4P	EP55NZM4K-OG	143979	1
500x750	1600A, 3P+4P	EP55NZM4R-OG	143980	1

Meter Carrier Plate

- To accommodate intra-company meter equipment for AC and three-phase current
- Installation depth for meters - max. 175 mm

VT06210



Width x Height (mm)	Description	Type designation	Article no.	Pack (Pcs.)
250x600	single	EP24Z1	158373	1
250x900	double	EP26Z2	158374	1

Mounting Plate

- Can be used in connection with universal drop-down brackets
- Material: Sheet steel 2.0 mm, galvanized
- Incorporation of energy meter modules is possible as of EPMP51
- Incorporation of terminal boxes is possible

VT08310



Width x Height (mm)	Type designation	Article no.	Pack (Pcs.)
204x115	EPMP21	143987	1
204x240	EPMP22	143988	1
204x240	EPMP22	143988	1
454x115	EPMP51	143990	1
454x240	EPMP52	143991	1
454x390	EPMP53	143992	1

Electric Shock Protection Cover Plate, Closed Version

- Available as hood or as pan version
- Handles and quick-acting fastening pins are not included in the scope of delivery
- Cover plate holders are not included in the scope of delivery
- Cover plate is RAL 9002, cover plate handle is RAL 7024
- No fitting restrictions


VT06310



Width x Height (mm)	MU	Type designation	Article no.	Pack (Pcs.)
250x150	12	EP21AP	143867	1
250x300	24	EP22AP	143868	1
250x450	36	EP23AP	143869	1
250x600	48	EP24AP	143870	1
250x750	60	EP25AP	143871	1
500x150	24	EP51AP	143872	1
500x300	48	EP52AP	143873	1
500x450	72	EP53AP	143874	1
500x600	96	EP54AP	143875	1
500x750	120	EP55AP	143876	1
750x150	36	EP71AP	143877	1
750x300	72	EP72AP	143878	1
750x450	108	EP73AP	143879	1
750x600	144	EP74AP	143880	1
750x750	180	EP75AP	143881	1
1000x300	96	EP102AP	143882	1
1000x450	144	EP103AP	143883	1


Electric Shock Protection Cover Plate, Open Version

- For modular installation devices and their components
- Available as hood or as pan version
- Handles and quick-acting fastening pins are not included in the scope of delivery
- Cover plate holders are not included in the scope of delivery
- Cover plate is RAL 9002, cover plate handle is RAL 7024
- No fitting restrictions

	Width x Height (mm)	MU	Type designation	Article no.	Pack (Pcs.)
	250x150	12	EP210RG	143884	1
	250x300	24	EP220RG	143885	1
	250x450	36	EP230RG	143886	1
	250x600	48	EP240RG	143887	1
	250x750	60	EP250RG	143888	1
	500x150	24	EP510RG	143889	1
	500x300	48	EP520RG	143890	1
	500x450	72	EP530RG	143891	1
	500x600	96	EP540RG	143892	1
	500x750	120	EP550RG	143893	1
	750x300	72	EP720RG	143894	1
	750x450	108	EP730RG	143895	1
	750x600	144	EP740RG	143896	1


Vertical Profile

- Left and right vertical profile to accommodate EP modules
- Also suitable for interior set-up, if the entire section height is used or if subdivisions are incorporated, you need to use EPTV....
- For cabinet types BPM-F, xEnergy/XVTL

	Height (mm)	Cabinet Type	Type designation	Article no.	Pack (Pcs.)
	1865	xEnergy, xVTL	EPTV1800A-XVTL	143797	1
	191	BPM-F	EPTV1950A-BP	143850	1

Support Rail Vertical

- For vertical interior set-up in cabinet types EWS/EWP, BPM-F, xEnergy/XVTL
- To accommodate EP modules

	Height (mm)	Type designation	Article no.	Pack (Pcs.)
	65	EPTV65	143837	1
	115	EPTV150	143838	1
	265	EPTV300	143839	1
	415	EPTV450	143840	1
	565	EPTV600	143841	1
	715	EPTV750	143842	1
	865	EPTV900	143843	1
	1015	EPTV1050	143844	1
	1165	EPTV1200	143845	1
	1315	EPTV1350	143846	1
	1465	EPTV1500	143847	1
	1615	EPTV1650	143848	1
	1765	EPTV1800	143849	1

Support Rail Horizontal

- For horizontal interior set-up in cabinet types EWS/EWP, BPM-F, xEnergy/XVTL
- With holes for mounting the devices, mounting rails and assembly groups

	Depth (mm)	Type designation	Article no.	Pack (Pcs.)
	215	EPTH250	143851	1
	465	EPTH500	143852	1
	715	EPTH750	143853	1
	965	EPTH1000	143854	1
	1215	EPTH1250	143855	1

Support Rail Horizontal, Double Version

- For horizontal interior set-up in cabinet types EWS/EWP, BPM-F, xEnergy/XVTL
- With holes for mounting the devices, mounting rails and assembly groups

	Depth (mm)	Type designation	Article no.	Pack (Pcs.)
	465	EPTH500D	143856	1
	715	EPTH750D	143857	1
	965	EPTH1000D	143858	1
	965	EPTH1000D	143858	1

Depth Support Rail

- For mounting cabinet connectors or fitting bracket types WEQV, WMPO, XVTL-EW

	Depth (mm)	Cabinet Type	Type designation	Article no.	Pack (Pcs.)
	300	xVTL	XVTL-TT300	143825	1
	400	xVTL	XVTL-TT400	143826	1
	500	xVTL	XVTL-TT500	143827	1
	600	xEnergy, xVTL	XVTL-TT600	143828	1
	800	xEnergy, xVTL	XVTL-TT800	143829	1

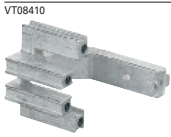
Depth Fitting Kit

- For fixing the vertical and horizontal support rail types EPTV and EPTH
- Fastening material included
- 1 package = 2 units
- Depth support rail and cabinet connector

	Depth (mm)	Cabinet Type	Type designation	Article no.	Pack (Pcs.)
	300	xVTL	XVTL-TE300	143798	1
	400	xVTL	XVTL-TE400	143799	1
	500	xVTL	XVTL-TE500	143820	1
	600	xEnergy, xVTL	XVTL-TE600	143821	1
	800	xEnergy, xVTL	XVTL-TE800	143822	1


Cabinet Connector

- Fixed on depth support rails for mounting the vertical and horizontal support rail types EPTV and EPTH

	Cabinet Type	Type designation	Article no.	Pack (Pcs.)
	xEnergy, xVTL	XVTL-SV	143834	1
	xEnergy, xVTL width 425	XVTL-SV425	143836	1


Support Rail Connector

- For fixing the vertical and horizontal support rails
- type EPTV (4 fixing screws included in the scope of delivery)
- type EPTV-E (no fixing screws included in the scope of delivery)

		Type designation	Article no.	Pack (Pcs.)
		EPTV	143860	1
		EPTV-E	143861	1


Support Bracket Connector, Half Version

- For fixing the vertical and horizontal support rails
- type EPTV05 (2 fixing screws included in the scope of delivery)
- type EPTV05-E (no fixing screws included in the scope of delivery)

		Type designation	Article no.	Pack (Pcs.)
		EPTV05	143862	1
		EPTV05-E	143863	1


Support Rail Bracket, 250mm Depth, for BPM-F

- For mounting the vertical support rail type EPTV
- Fastening material included
- 1 package = 2 units

	Depth (mm)	Cabinet Type	Type designation	Article no.	Pack (Pcs.)
	250	BPM-F	BPZ-TW	143864	1


Adapter Set for EW

- For fixing the inner vertical support rails type EPTV type EWADI includes two double adapters for use in the internal set-up type EWADA includes two double adapters fixed as four half adapters in the left and right cabinet corners to accommodate the EPTV type of support rails
- For each enclosure you will only need one EWADA type of adapter sets
- The number of EWADI type of inner adapter sets may vary depending on the set-up
- 1 package = 2 units

	Description	Type designation	Article no.	Pack (Pcs.)
	Inside	EWADI	0660017003	1
	Outside	EWADA	0660017013	1


Universal Bracket

- For fixing horizontal support elements

		Type designation	Article no.	Pack (Pcs.)
		WEQV	143993	10

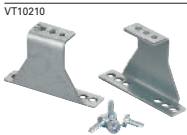
Special Bracket

- For fixing horizontal support elements

		Type designation	Article no.	Pack (Pcs.)
		WMPO	143994	10

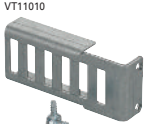
Raising Bracket for Support Rail

- For increasing the mounting level by 40 mm from the top edge of the system support rail type EPTH
- Fastening material included
- 1 package = 2 units

	For DIN Support Rail	Type designation	Article no.	Pack (Pcs.)
	35 x 7,5 mm	EPAW-TS	143986	1
	35 x 15 mm	EPAW-TS15	172759	1

Drop-down Shackle for Support Rails and Mounting Plates

- For reducing the mounting level in steps of 12 mm down to a max. of 60 mm from the top edge of the system support rail
- Fastening material included
- 1 package = 2 units

		Type designation	Article no.	Pack (Pcs.)
		EPAB-TSMP	143985	1

Fitting Bracket

- For fixing support elements such as EPTV support rails or horizontal type EPTH support rails
- As double and EPTH type

VT08810



Type designation	Article no.	Pack (Pcs.)
------------------	-------------	-------------

XVTL-EW	143995	10
---------	--------	----

Cover Plate Holder, as Double Tower, Standard Version

- Double tower version with fixing screw
- For fixing the electric shock protection cover plate

VT10710



Type designation	Article no.	Pack (Pcs.)
------------------	-------------	-------------

APH	143981	20
-----	--------	----

Cover Plate Holder, as Double Tower, High Version

- Double tower version with fixing screw
- 7.5 mm higher allowing to use the 15 mm high support rails (type EPTS15)
- For fixing the electric shock protection cover plate

VT10610



Type designation	Article no.	Pack (Pcs.)
------------------	-------------	-------------

APHL	143982	10
------	--------	----

Cover Plate Holder, Half, Standard Version

- Single tower version with fixing screw
- For fixing the electric shock protection cover plate
- For use in the 4 cabinet corners

VT10910



Type designation	Article no.	Pack (Pcs.)
------------------	-------------	-------------

APH05	143983	20
-------	--------	----

Cover Plate Holder, Half, High Version

- Single tower version with fixing screw
- 7.5 mm higher to allow using the 15 mm high support rails (type EPTS15)
- For fixing the electric shock protection cover plate
- For use in the 4 cabinet corners

VT10810



Type designation	Article no.	Pack (Pcs.)
------------------	-------------	-------------

APHL05	143984	10
--------	--------	----

Insulation Piece

- For insulated mounting of DIN support rails on the support framework
- Screws included
- 1 package = 2 units

vi57016



Type designation	Article no.	Pack (Pcs.)
UI-TS	144022	1

Spacer Pins

- For the set-up of DIN support rails and cable strain relief rails on a higher level
- Hexagonal shape, thread M4

VT10410



Height (mm)	Type designation	Article no.	Pack (Pcs.)
35	AB30	144023	1
55	AB60	144024	1

Tool-type Quick-acting Closure Handle

- Set of 4 units of tool-type quick-acting closures and 2 handles

VT10010



Type designation	Article no.	Pack (Pcs.)
APZB	144025	1

Tool-type Quick-acting Closure with Sealing Cap

- For diagonal sealing of a cover plate
- 1 package = 2 units

VT10110



Type designation	Article no.	Pack (Pcs.)
APWSVP	144026	1

M4 Insertable Anchor

- M4 x 16 mm screw type EPLHS-M4X16 is included
- 1 package = 4 units


VT10310



Type designation	Article no.	Pack (Pcs.)
EPGE4	144027	1


Support Rail 35 x 7.5 mm

- Similar to DIN EN 60715, used as a support rail for block terminals and installation built-in devices for snap-on fixing

	Length (mm)	Type designation	Article no.	Pack (Pcs.)
	250	EPTS7-0250	143996	1
	500	EPTS7-0500	143997	1
	750	EPTS7-0750	143998	1
	1000	EPTS7-1000	143999	1
	1250	EPTS7-1250	144000	1

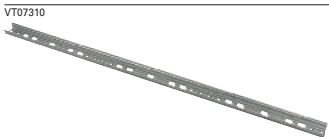
Support Rail 35 x 15 mm

- Similar to DIN EN 60715, used as a support rail for block terminals and installation built-in devices for snap-on fixing

	Length (mm)	Type designation	Article no.	Pack (Pcs.)
	250	EPTS15-0250	144001	1
	500	EPTS15-0500	144002	1
	750	EPTS15-0750	144003	1
	1000	EPTS15-1000	144004	1
	1250	EPTS15-1250	144005	1


Support Rail 35 x 15 mm, Square Hole Pattern Included

- Similar to DIN EN 60715, used as a support rail for block terminals and installation built-in devices for snap-on fixing
- Square hole pattern for quick fixing of cable supports type KB29 included, in this case use the cover plate holder type APHL which is 7.5 mm longer

	Length (mm)	Type designation	Article no.	Pack (Pcs.)
	250	EPTSG15-0250	144006	1
	500	EPTSG15-0500	144007	1
	750	EPTSG15-0750	144008	1
	1000	EPTSG15-1000	144009	1
	1250	EPTSG15-1250	144010	1

Wiring System

- Wiring clips

	Width x Depth (mm)	Type designation	Article no.	Pack (Pcs.)
	35 x 75	KB29	144011	1


Cable Support

- For snap-on purposes on the rear of a DIN support rail 35 x 7.5 mm
- For well-organized cable routing inside EWK enclosure

	Dimension (mm)	Type designation	Article no.	Pack (Pcs.)
	35 x 7.5	EWKH	660003001	1


Cable Interconnect Shackle

- For flexible and orderly guidance of cables and conductors

	Width x Depth (mm)	Type designation	Article no.	Pack (Pcs.)
	35 x 75	UKBUE35.75	144013	50
	65 x 185	UKBUE65.185	144014	20


Blanking Strips

- To cover 45 mm non-equipped space units
- Grid pattern 9 mm

	Length (mm)	Description	Type designation	Article no.	Pack (Pcs.)
	1000	closed, white	NBP-1000-W	275413	1
	216	gray, rough-ribbed, 12 MU	BS-12MB-GY	178979	10/100


Labelling Strips in Transparent Pocket

- Labelling strips can be placed retro-actively
- Self-adhesive
- 1 package = 10 units

	Length (mm)	Cabinet Type	Type designation	Article no.	Pack (Pcs.)
	1000	all	LAB -BAR_1000	107911	1
		all	LAB_TAPE_A4_BLANK	107952	1

Partition, Vertical and Horizontal

- Material: Plastic

	Depth x Height (mm)	Cabinet Type	Type designation	Article no.	Pack (Pcs.)
	250 x 2000	BPM-F	BPZ-SCH202	144015	1
	300 x 2000	xVTL	XVTL-SCH203	144016	1
	400 x 2000	xEnergy, xVTL	XVTL-SCH204	144017	1
	500 x 2000	xVTL	XVTL-SCH205	144018	1
	600 x 2000	xEnergy, xVTL	XVTL-SCH206	144019	1

Busbar Support 60 mm up to 630 A

- Busbar system for mounting behind a cover as of a height of 300 mm
- Center-to-center distance between phases 60 mm
- Expandable to 4- and 5 poles
- Rated conditional short-circuit current up to 85 kA I_{pk} / 40,5 kA I_{cw} with Cu 1 x 30 x 10 mm, 630 A
Details see technical part.

VT09610



Rated Current (A)	Dimension Cu (mm)	Type designation	Article no.	Pack (Pcs.)
250 - 630	12x5 - 30x10	SL63031	148582	1
315 - 630	20x5 - 30x10	SL63032	148583	1
630	30x10	SL63033	148584	1

Busbar Support PE/N

- Busbar Support 1 pole , for mounting behind a cover of a height of 150 mm
- Expandable to 2 poles
- Busbar Support 2 poles , for mounting behind a cover of a height of 300 mm

VT09710



Rated Current (A)	Dimension Cu (mm)	Type designation	Article no.	Pack (Pcs.)
250 - 630	12x5 - 30x10	SLPEN63011	148585	1
315 - 630	20x5 - 30x10	SLPEN63012	148586	1
630	30x10	SLPEN63013	148587	1

PE/N Support Offset

- For easier connecting of incoming and outgoing cables and conductors

VT09910



Type designation	Article no.	Pack (Pcs.)
SLPEN630U	148588	1

Busbar Support 100 mm up to 630 A, 3 poles

- Busbar Support for mounting behind a cover plate (type EP_AP) as of a height of 450 mm

VT07510



Rated Current (A)	Dimension Cu (mm)	Type designation	Article no.	Pack (Pcs.)
315 - 630	20x5 -30x10	TN630/3-R10	148590	1

Busbar Support 185 mm up to 2000 A, 3 poles

- Busbar Support for mounting behind a cover plate (type EP_AP) as of a height of 750 mm

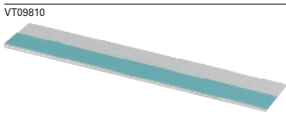
VT07410



Rated Current (A)	Dimension Cu (mm)	Type designation	Article no.	Pack (Pcs.)
630-2000	40x10-100x10	T2000/3-R185VT	148591	1



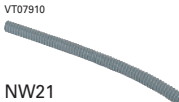


End Cover of Busbar

- For side covering of busbar 12x5 to 30x10 (250 - 630 A)

	Number of Poles	Type designation	Article no.	Pack (Pcs.)
 <p>VT09810</p>	3 poles	SL630EA	148589	1



Assembly Group for Door Wiring

- Outgoing PG21 with plastic tube 450 mm long
- Mounting material included
- Without cover plate

	Description	Type designation	Article no.	Pack (Pcs.)
 <p>VT11510</p> <p>SEM21</p>	Tube connector (straight) incl. counter nut	SEM21	143964	1
 <p>VT11210</p> <p>SEM/W21</p>	Tube connector (angled) incl. counter nut	SEM/W21	143962	1
 <p>VT07910</p> <p>NW21</p>	Corrugated tube (cable protection)	NW21	143963	1
 <p>VT11610</p> <p>UKH</p>	Tube holder	UKH	143961	1
 <p>VT11310</p> <p>MSWT</p>	Mounting kit	MSWT	143966	1

Replacement Screws

- 1 package = 100 units

	Dimension (mm)	Description	Type designation	Article no.	Pack (Pcs.)
 <p>wa_vt69913</p>	M4x8	Head screw cross slot self-tapping	EPLHS-M4x8	144028	1
	M4x16	Head screw cross slot self-tapping	EPLHS-M4X16	141863	1
 <p>VT11609</p>	M8x16	Hexagon screw	EPHHS-M8X16	144030	1

Technical features, standard-section fitting-system type EP

Application

As a standard-section fitting-system for use as a switchgear assembly in cabinet systems EWS/EWP, BPM-F, xEnergy/XVTL

Standards and regulations

The system conforms to IEC/EN 61439-1/2

Construction for fixing standard-section fitting-kits

Basis for fixing the standard-section fitting-kits are the support profiles. Standard-section fitting-kits with electrical switchgear are mounted on these support profiles. This complete unit is protected by an electric shock protection cover plate.

Support elements for fixing standard-section fitting-kits

Basis of the internal framework in the type EWS/EWP, BPM-F, xEnergy/XVTL system are the vertical (type EPTV) and horizontal (type EPTH) support profiles. These support profiles are fixed to each other by means of a "Support rail connector" which provides for a reliable and stable construction.

The support profile is designed with a 25 mm high fold, set up in a grid pattern of 250x150 mm according to DIN 43870, part 2, for accommodating mounting plates and support elements.

Material and coverings

Support profile: 25 mm high, 16 mm wide
2 mm sheet steel

Cover plate: Polystyrene, shock-resistant according to VDE 0304
low inflammability, self-extinguishing

Standard-section fitting-kits type-coding

The following main groups are available:

- Modules for modular installation devices	EP_RG
- Modules for block terminals	EP_RK_
- Modules with mounting plate	EP_MP
- NH fuse load disconnector modules	EP_XNH_
- NH In-line fuse switch-disconnector modules	EP_GTL_
- Modules with D-fuse elements	EP_GRC_
- Modules with Dumeco load disconnector	EP_GLD_
- Modules with load disconnectors using fuses type QSA	EP_QSA
- Modules for NZM compact circuit breakers	EP_NZM

Colour

- Cover plate: RAL 9002 - grey-white
- Handle: RAL 7024 - graphite-grey

Protective measures

- Protected against tools, wires or similar with $\varnothing > 2.5$ mm, IP31
- Protected against the penetration of foreign bodies > 2.5 mm, protected against vertically dripping water

Standard-section fitting module dimensions

Support profiles are set up in a grid pattern of 250x150 mm.

Width: 250 mm
Height: 150, 300, 450, 600, 750 mm

Width: 500 mm
Height: 150, 300, 450, 600, 750 mm

Width: 750 mm
Height: 150, 300, 450, 600, 750 mm

Width: 1000 mm
Height: 300, 450 mm

Delivery

The package contains all parts (cover plate and quick-fixing included) to be mounted on the support profile. Electric shock protection cover plates can be fixed one or the other way round and can therefore be used as a pan or as a hood.

Standard-section fitting-kits are delivered complete with handles and captive snap-in tool-type closures for quick fixing. Cover plate holders need to be ordered separately.

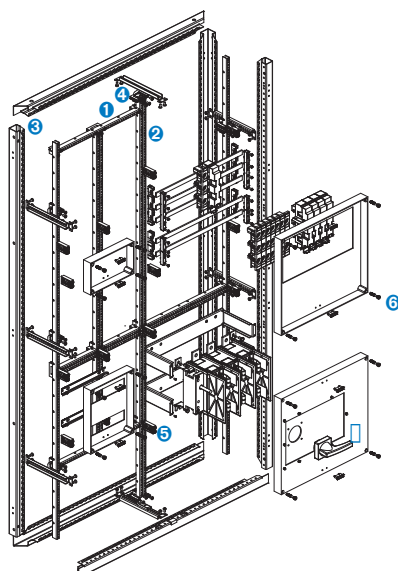
Device cover plates can be used one or the other way round to increase the installation depth. Manual opening is impossible. A sealing for each cover plate is available as an option.

Completely packed in a cardboard box ex-factory with clearly legible product designation.

Product features of standard-section fitting-system, Type EP

Standard-section fitting-kits have the following technical characteristics:

- High stability thanks to the use of a 25 mm high U-fold profile support rail
- Dynamic resistance thanks to support rail connectors made of zinc diecast
- Flexible when it comes to the set-up of both plain and complex cabinet distribution boards
- Easy to install as there are only few system parts
- Pleasant design with calm, warm colours
- Rational planning and project development
- Standard-section fitting-kits can be used in the entire Eaton distribution board range, except in type EWK



1. Support rail, horizontal, type EPTH_

Support rail, horizontal, with the same profiling as the vertical support rail.

2. Support rail, vertical, type EPTV

Support rail, vertical with high dynamic resistance thanks to a 25 mm high fold, also suitable for mounting heavy switchgear.

3. Cabinet connector, type XVTL-SV

A zinc diecast component for connecting the horizontal and/or vertical support rails with the cabinet, depth-adjustable in a 12.5 mm grid pattern according to DIN 43660.

Cabinet connectors for other distribution board systems are:

EWS and EWP: Type EWADI and EWADA
BPM-F 250 mm: Type BPZ-TW
xVTL: Type XVTL-SV

4. Support rail connector, type EPTV_

A zinc diecast component for connecting the horizontal and/or vertical support rails with each other in a grid pattern $W \times H = 250 \times 150$ mm.

5. Cover plate holders, type APH_

Cover plate holders for fixing the electric shock protection cover. Designed as double-holders (Type APH) to reduce the number of individual parts. Also available as single holders (Type APH05). The cover plate holder provides for stable screw-fixing of the cover plates on a horizontal or vertical support rail.

6. Tool-type closure, type APWSV

For quick fixing of the electric shock protection cover. Locking through a 90° turn. Lead sealing at a later point in time is possible with all covers.

7. Cover plate handle, type APGR_

Beautiful and handy design for better handling of the electric shock protection covers.

System set-up of a standard-section fitting-system, Type EP

System support rails

The standard delivery of a cabinet of the series EWS/EWP, BPM-F, xEnergy/XVTL prepared for a standard-section fitting-system is variable (see delivery details). A left and right side system support rail of type EPTV are the basis for the further inside equipment with vertical and horizontal support rails (Fig. 1).

Additional mounting of a horizontal support rail (type EPTH) and a vertical support rail (type EPTV) provide the framework for further inside equipment with standard-section fitting-kits of type EP (see Fig. 2).

Finish of wall-mounted cabinets - type EW

Wall-mounted cabinets of type EW do not come with external support rails (type EPTV) and accommodation adapters (type EWADA) when delivered.

Finish of floor-standing cabinet system - type BPM-F

Floor-standing cabinets BPM-F come equipped with a mounting kit (type BPZ-TW) on the left/right top and bottom, including a left and right support rail of type EPTV1950A-BP and EPTV1800 respectively.

Finish of floor-standing cabinet system - type xVTL

Cabinet system xVTL come equipped with the left/right mounted support rails EPTV1800-XVTL in combination with the depth fitting kits for stability purposes (XVTL-TE).

Depth fitting kits

For even more stability with xVTL you can also retrofit additional depth fitting kits (type XVTL-TE) on the framework.

All cabinets come equipped with an all-around electric shock protection and provide the required protection of people in the combination of assembly groups and cabinet housing.

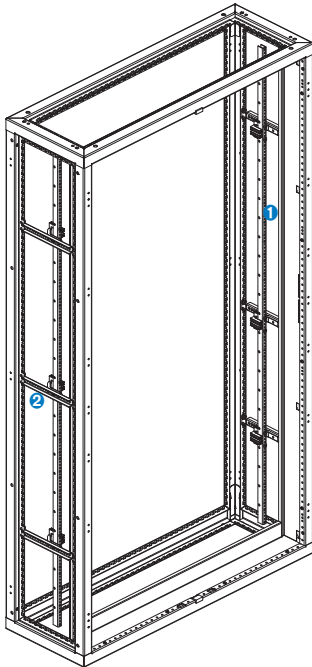


Fig. 1: Standard delivery of distribution board cabinet type xVTL with left and right mounted support profiles.
1) Vertical support profile. 2) Depth fitting kits

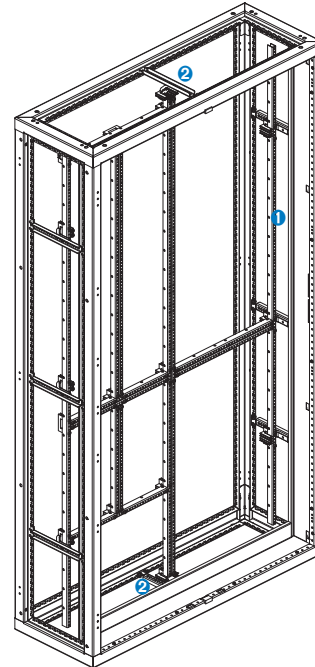


Fig. 2: Distribution board cabinet type xVTL with inside support framework thanks to support profiles for using and fixing standard-section fitting-kits type EP.
1) Vertical support profile. 2) Depth fitting kits.

System description of the standard-section EP fitting-system

The inside equipment with further horizontal and vertical support rails of type EPTH and EPTV depends on well-considered planning and project development regarding the system assembly groups. Subsequently you will find an example of the framework for a low-voltage distribution board.

Support rails and depth fitting kit (Fig. 1 and 2)

For optimal equipment of an xVTL cabinet framework it is reasonable to use as many vertical support rails of type EPTV1800A-XVTL as possible. They need to be fixed at the top and bottom of the depth fitting kit type XVTL-TE. This means that the support rails are directly fixed at the framework which in turn increases the load-bearing capacity of the framework and is especially favourable for installing

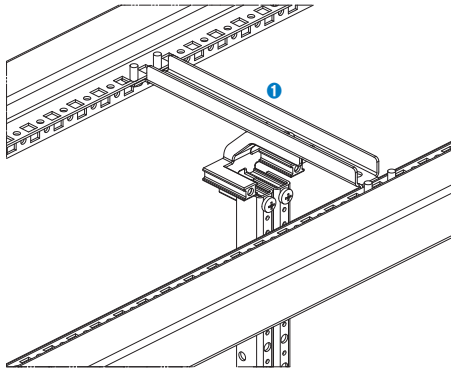


Fig. 1: Depth fitting kit type XVTL-TE - installation at the top
1) Depth fitting kit

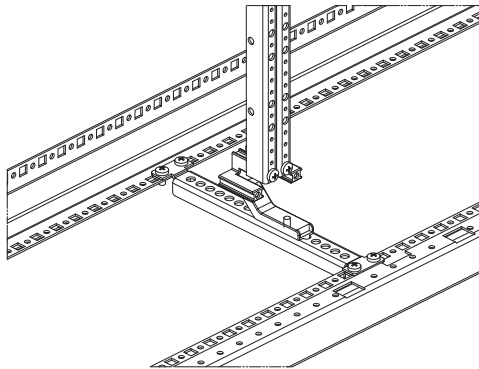


Fig. 2: Depth fitting kit type XVTL-TE - installation at the bottom

heavy system assembly groups or devices.

Note: If inside a cabinet, as shown in Fig. 1/2, two outer vertical support rails of type EPTV1800A-XVTL are used, you can only use halves of the cover plate holders (type APH05) on each top/bottom end of the support rails to set up the assembly groups. However, if you use inside support rails, you can mount an additional EPTV65 horizontally underneath the two vertical support rails to accommodate a cover plate holder of type APH.

Support rail connector (Fig. 3 and 4)

You need to use the support rail connector for connecting horizontal and vertical support rails with each other. The zinc diecast component is extremely stable and provides a high level of dynamic resistance to the connection.

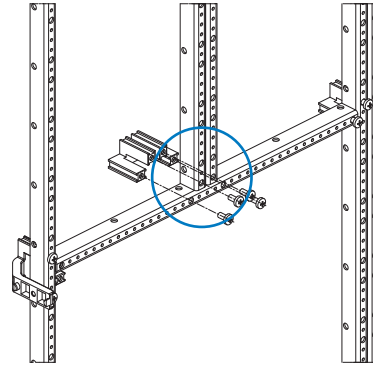


Fig. 3: Support rail connector (type EPTV) - for horizontal installation

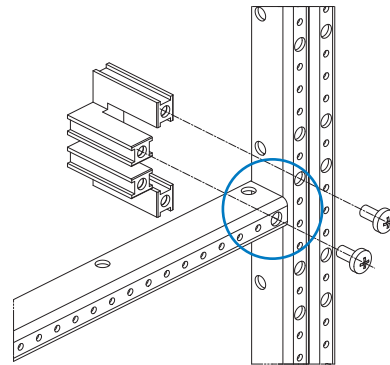


Fig. 4: Support rail connector (type EPTV) - for vertical installation

Support rail connector - half (Fig. 5)

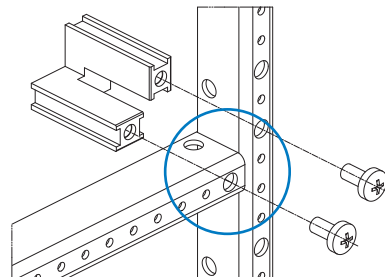


Fig. 5: Support rail connector half (type EPTV05) - for vertical installation

System description of the standard-section fitting-system, type EP

On the inner side of the system support framework you can fix different electrical equipment using different mounting elements such as DIN profile support rails, device carrier plates, meter plates, busbar system etc., depending on the project design and on the required equipment (see Fig. 1).

Thanks to the predetermined fixing grid of $v_h = 75 \text{ mm}$ according to DIN 43660, the vertical support rails (type EPTV) allow for a variable set-up of the electrical equipment and the corresponding mounting elements.

For this purpose and with the aid of the corresponding building instructions, the mounting elements are directly mounted on these vertical system support rails (type EPTV).

The cover plate holder is designed as a double holder (type APH or APHL) and is screwed onto the horizontal and vertical system support rails in a grid pattern of $250 \times 150 \text{ mm}$. In the respective cabinet corners you have to use halves of the cover plate holders (type APH05 or APHL05).

The electric shock protection cover can simply be fixed using a tool-type closure as a quick fastener through a 90° turn on the cover plate holder.

The complete cabinet system equipped with assembly groups is interconnected with the electrical shock protection running all around the cabinet, it is therefore fully protected against electric shock and offers best operator protection (Fig. 2).

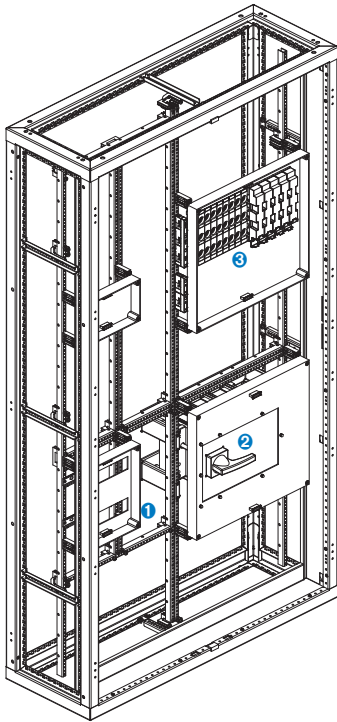


Abb. 1: Cabinet distribution board, partly equipped with standard-section EP fitting-kits

- 1) Fitting module type EP for DIN-modular components
- 2) Fitting module type EP for Dumeco load disconnecter
- 3) Fitting module type EP for busbar-mounting fuse

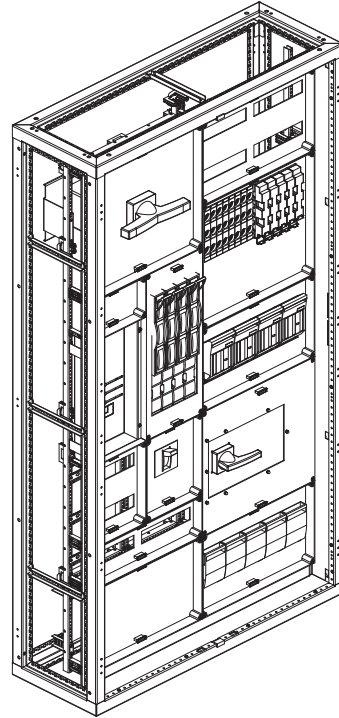


Fig. 2: Cabinet distribution board, fully equipped with the fitting module type EP

Set-up and mounting of a standard-section fitting-system, type EP

Electric shock protection cover plate

Electric shock protection cover plates can be inverted, so they provide for a different mounting level regarding depth:

- as a pan (Fig. 1) 40 mm top edge system support rail 55 mm
- or mounted as a hood (Fig. 2) 93.5 mm top edge system support rail

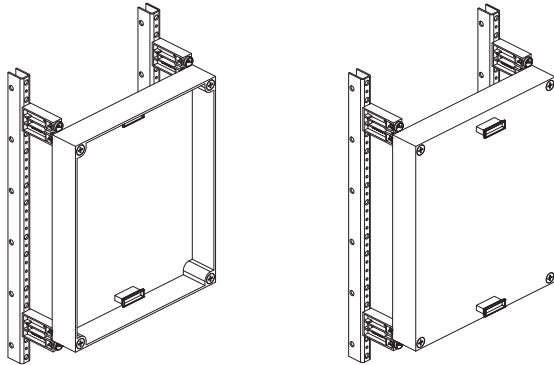


Fig. 1: Electric shock protection used as a pan

Fig. 2: Electric shock protection used as a hood

DIN support rails (Fig. 3)

Mounting of built-in installation devices according to DIN 43880, e.g. miniature circuit breakers, D0 and D fuse elements, timers, disconnectors, remote switches, contactors etc. with quick fastening on support rail 35x7.5 mm similar to DIN EN 60715.

Depending on the section they rest on, support rails are screwed onto the vertical support rails (type EPTV) using self-tapping screws.

Usually the fitting height between device support rails and device cover is 45 mm, sufficient for all built-in devices with a frame size of 45 mm. In this case the electric shock protection cover plate is mounted as a pan.

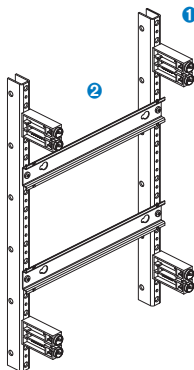


Fig. 3: Fixing of DIN support rails when using the electric shock protection cover plate as a pan 1) Cover plate holder 2) DIN support rail

Set-up bracket for DIN support rails (Fig. 4 and 5)

If you use set-up brackets (type EPAW_TS) you can increase the level of the device support rail by 40 mm. In this case the electric shock protection cover plate is mounted as a hood, so the clearance between the device support rail and the device cover is 45 mm again.

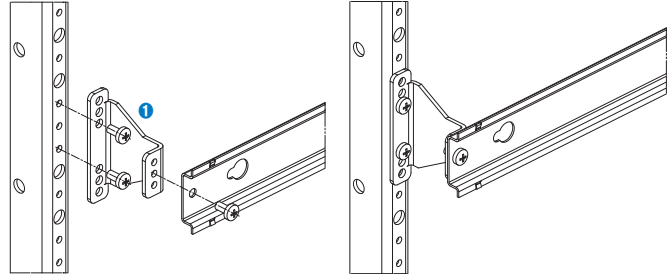


Fig. 4/5: Principle of DIN support rails combined with a set-up bracket and cover plate as a hood
1) Set-up bracket

Drop-down shackle (Fig. 6 and 7)

Thanks to the drop-down shackle (type EPAB-TSMP) the mounting level of the device support rail (and of the mounting plates) can be reduced to 60 mm in steps of 12 mm from the top edge of the system mounting frame (system support rail).

In this case the electric shock protection cover plate is used as a hood so as to increase the fitting depth.

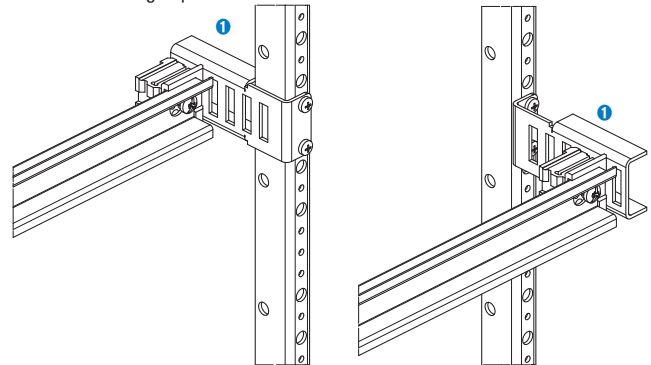


Fig. 6/7: DIN support rails can be brought down in steps of 12 mm
1) Set of drop-down shackles

Mounting plate with drop-down shackle (Fig. 8)

Used for fitting the devices through screw-fastening, such as switchgear, protective assemblies, regulators, converters and other devices. Where depth-adjustable drop-down shackles are used together with standard mounting plates, it is no problem to install switchgear, contactors or other depth-installed devices in steps of 12 mm down to 67.5 mm from the top edge of the system support rail.

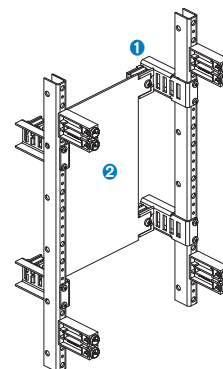


Fig. 8: Mounting plate with a set of drop-down shackles
1) Set of drop-down shackles 2) Mounting plate

Set-up and mounting of a standard-section fitting-system, type EP

Selection of the required low-voltage cabinet system

For selecting the right cabinet system the following aspects need to be considered:

- System assembly group and device inserts?
- Electric shock protection covers required?
- How can they be combined in the switchboard cabinet to be selected?

You also need to take into account:

1. Total volume of the built-in components and device inserts to be used
2. Rated current of the busbar system in case you plan to install one
3. Type of placement - either as a
 - Wall-mounted cabinet distribution board or as a
 - Floor-standing cabinet distribution board, stand-alone

Depending on the above criteria and using the selection tables and the overview of predefined variants, you can find out and determine the suitable solution for the set-up or combination of the device fitting kits and the appropriate electric shock protection covers for the switchboard cabinet system.

Once this has been done, you will know the required number and the arrangement of the support rails; the same applies to the size of the individual switchgear system assembly groups and their device covers.

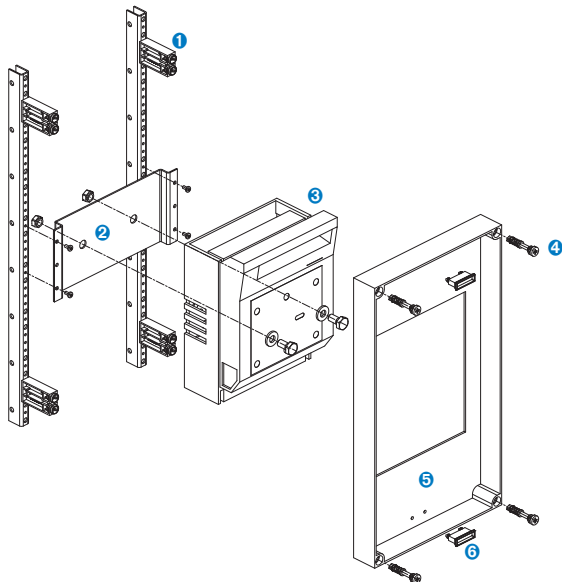


Fig. 1: Standard-section fitting-kits type EP with NH in-line fuse switch-disconnector mounted on a device carrier plate

- 1) Cover plate holder
- 2) Prepared device carrier plate
- 3) NH fuse load disconnector
- 4) Quick fastener
- 5) Cover plate
- 6) Handle

Fitting of high-current switchgear on a prepared mounting plate, with screw fastening

For mounting the switchgear on the corresponding, serially manufactured, single-part device carrier plate you will find appropriate drill holes for placing threaded drive-in nuts at the rear. This will allow you both to fix the switchgear and to replace them from the front whenever necessary, without any aids or additional fastening elements.

Material of the switchgear carrier plate

Sheet steel, 2.0 mm sendzimir zinc-plated

Electric shock protection cover plates come ex-factory with the required device cut-outs and so they provide for optimal electric shock protection according to VDE 0106, T. 100 / BGV A2 in the IP3X degree of protection.

The appropriate cover plate holders are simply snapped onto the vertical support rail (type EPTV) in the predefined distance from the switchgear carrier plate.

Set-up and mounting of the fusebox on the busbar system

With fuseboxes in horizontal and vertical design, the busbar supports are fixed directly and immediately or between two vertical system support rails (type EPTV). The 20x5 mm copper current rails are positioned from the front and fixed on the upper part of the support.

The 3-pole busbar-mounting fuse bases are placed on these copper current rails from the front and locked in place with a fastening screw.

The individual strip covers can only be removed after the central electric shock protection cover has been taken off.

The electric shock protection and switchgear covers comprise the captive snap-on tool-type quick closures for quick fastening.

“Manual opening” is impossible.

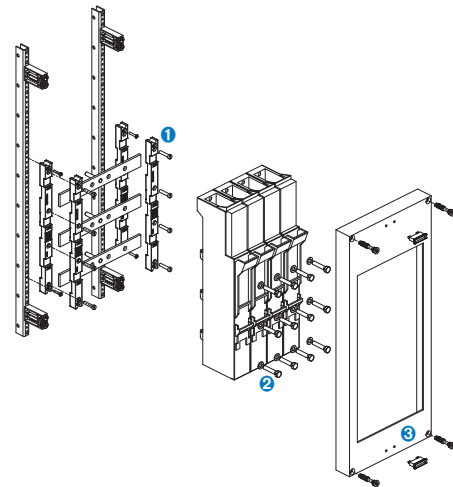


Fig. 2: Standard-section fitting-kits with NH in-line fuse switch-disconnector, 3 poles, vertically mounted on the busbar support. Center-to-center distance between the phases is 100 mm, with Cu busbar system 30x5 or 30x10 mm

- 1) Special rail support
- 2) Terminals
- 3) Cover plate

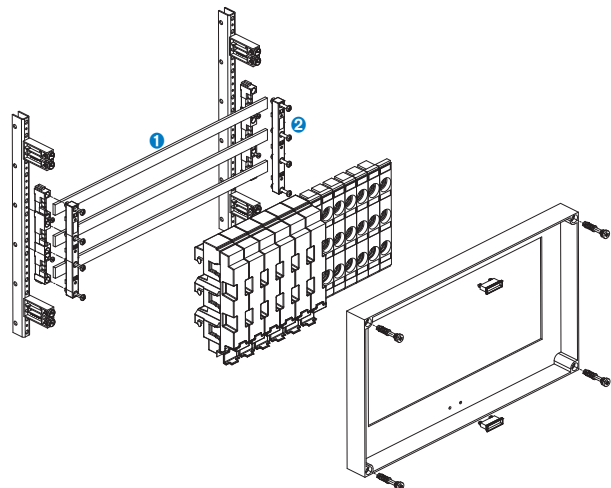


Fig. 3: Busbar-mounted D fuse base, 3 poles, mounted on busbar support. Center-to-center distance between the phases is 60 mm, with Cu busbar system 20x5 or 30x10 mm

- 1) Busbar system
- 2) Rail support







Material: Polystyrene, shock-resistant, self-extinguishing
Colour: RAL9002 (grey-white)

The snap-on handles as a mounting aid are also included in the scope of delivery.

Self-adhesive transparent pockets for frontal placement of labelling strips at a later point in time can be provided as an option.






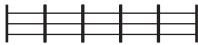
Technical data Busbar-system, spacing between busbars 60 mm

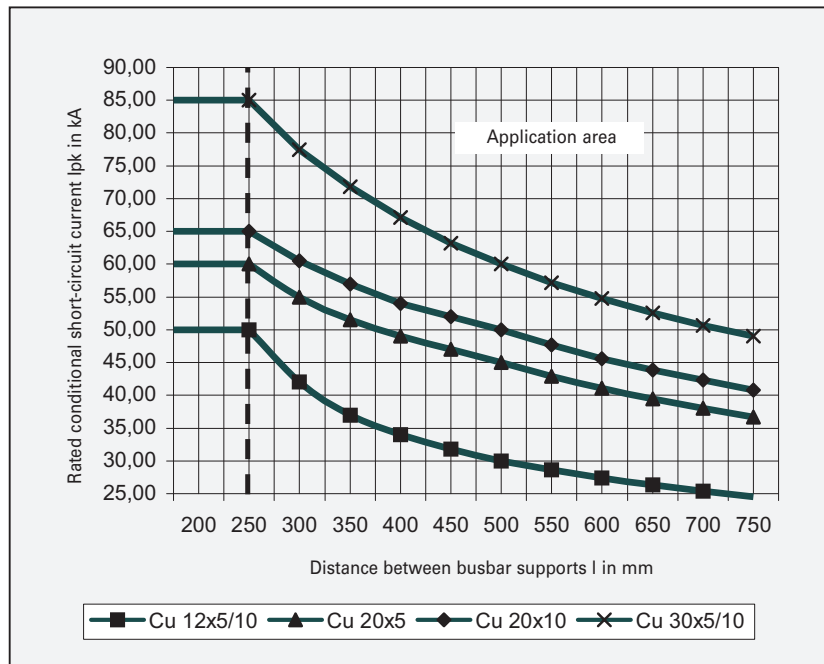
Busbar-system up to 630 A

Illustration	Designation/type	Type / Order.-No.				
Rail support, 3-pole for height of cover plate 300 mm						
	Width of system	Rated conditional short-circuit current at distance between support 250 mm	Module units			
	No. of supports	surge current I_{pk}	short-time current I_{cw}	U		
 W = 250 mm	315 A	250 mm / 2 pcs.	60 kA	28.6 kA / 0.30s	24	SL63031 No. 148582
	Cu 1 x 20 x 5 mm	500 mm / 3 pcs.	60 kA	28.6 kA / 0.30s	48	
	3-poles	750 mm / 4 pcs.	60 kA	28.6 kA / 0.30s	72	
	4-poles	1000 mm / 5 pcs.	60 kA	28.6 kA / 0.30s	96	
	5-poles	1250 mm / 6 pcs.	60 kA	28.6 kA / 0.30s	120	
 W = 500 mm	400 A	250 mm / 2 pcs.	85 kA	40.5 kA / 0.30s	24	SL63032 No. 148583
	Cu 1 x 30 x 5 mm	500 mm / 3 pcs.	85 kA	40.5 kA / 0.30s	48	
	3-poles	750 mm / 4 pcs.	85 kA	40.5 kA / 0.30s	72	
	4-poles	1000 mm / 5 pcs.	85 kA	40.5 kA / 0.30s	96	
	5-poles	1250 mm / 6 pcs.	85 kA	40.5 kA / 0.30s	120	
 W = 750 mm	630 A	250 mm / 2 pcs.	85 kA	40.5 kA / 0.50s	24	SL63033 No. 148584
	Cu 1 x 30 x 10 mm	500 mm / 3 pcs.	85 kA	40.5 kA / 0.50s	48	
	3-poles	750 mm / 4 pcs.	85 kA	40.5 kA / 0.50s	72	
	4-poles	1000 mm / 5 pcs.	85 kA	40.5 kA / 0.50s	96	
	5-poles	1250 mm / 6 pcs.	85 kA	40.5 kA / 0.50s	120	
 W = 1000 mm	630 A	250 mm / 2 pcs.	85 kA	40.5 kA / 0.50s	24	SL63033 No. 148584
	Cu 1 x 30 x 10 mm	500 mm / 3 pcs.	85 kA	40.5 kA / 0.50s	48	
	3-poles	750 mm / 4 pcs.	85 kA	40.5 kA / 0.50s	72	
	4-poles	1000 mm / 5 pcs.	85 kA	40.5 kA / 0.50s	96	
	5-poles	1250 mm / 6 pcs.	85 kA	40.5 kA / 0.50s	120	
 W = 1250 mm	630 A	250 mm / 2 pcs.	85 kA	40.5 kA / 0.50s	24	SL63033 No. 148584
	Cu 1 x 30 x 10 mm	500 mm / 3 pcs.	85 kA	40.5 kA / 0.50s	48	
	3-poles	750 mm / 4 pcs.	85 kA	40.5 kA / 0.50s	72	
	4-poles	1000 mm / 5 pcs.	85 kA	40.5 kA / 0.50s	96	
	5-poles	1250 mm / 6 pcs.	85 kA	40.5 kA / 0.50s	120	

Busbar support, 3-/5-poles height of cover plate 300 mm


Surge current resistance
depending on distance between busbar supports

	250 A Cu 1 x 12 x 5 mm
 W = 250 mm	315 A Cu 1 x 20 x 5 mm
 W = 500 mm	355 A Cu 2 x 12 x 5 mm
 W = 750 mm	400 A Cu 1 x 30 x 5 mm
 W = 1000 mm	500 A Cu 1 x 20 x 10 mm
 W = 1250 mm	630 A Cu 1 x 30 x 10 mm




Technical data Busbar-system, spacing between busbars 100 mm

Busbar-system up to 630 A

Illustration	Designation/type		Type / Order.-No.	
 VT07510	Rail support, 3-pole for height of cover plate 450 mm			
	Rated current	Rated conditional short-circuit current at distance between support 500 mm		
		surge current	short-time current	
		I_{pk}	I_{cw}	
	315 A	21.0 kA	10.0 kA / 1 s	TN630/3-R10 No. 148590
	Cu 1 x 20 x 5 mm			
	400 A	32.0 kA	15.0 kA / 1 s	
Cu 1 x 30 x 5 mm				
500 A	42.0 kA	20.0 kA / 1 s		
Cu 1 x 20 x 10 mm				
630 A	63.0 kA	30.0 kA / 1 s		
Cu 1 x 30 x 10 mm				

Technical data Busbar-system, spacing between busbars 180 mm

Busbar-system up to 2000 A

Illustration	Designation/type		Type / Order.-No.	
 VT07410	Rail support, 3-pole for height of cover plate 750 mm			
	Rated current	Rated conditional short-circuit current at distance between support 1000 mm		
		surge current	short-time current	
		I_{pk}	I_{cw}	
	800 A	64.0 kA	30.5 kA / 1 s	T2000/3-R185VT No. 148591
	Cu 1 x 40 x 10 mm			
	1000 A	81.0 kA	38.5 kA / 1 s	
Cu 1 x 50 x 10 mm				
1250 A	81.0 kA	38.5 kA / 1 s		
Cu 1 x 60 x 10 mm				
1500 A	81.0 kA	38.5 kA / 1 s		
Cu 1 x 80 x 10 mm				
2000 A	81.0 kA	38.5 kA / 1 s		
Cu 1 x 100 x 10 mm				

Set-up and mounting of a standard-section fitting-system, type EP

Type designation

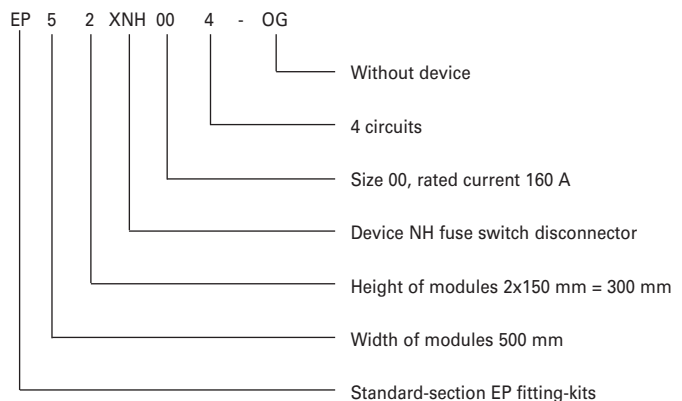
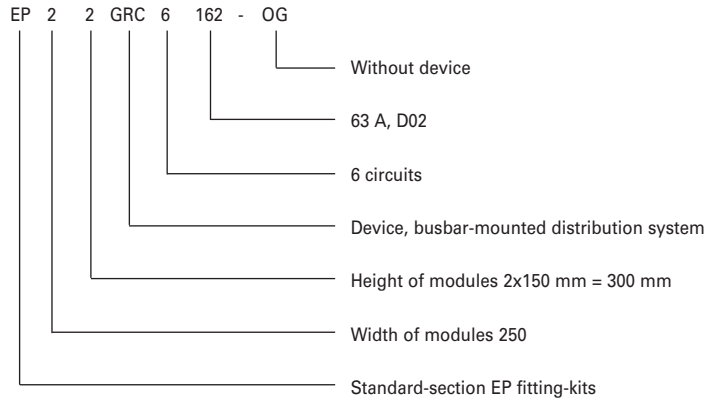
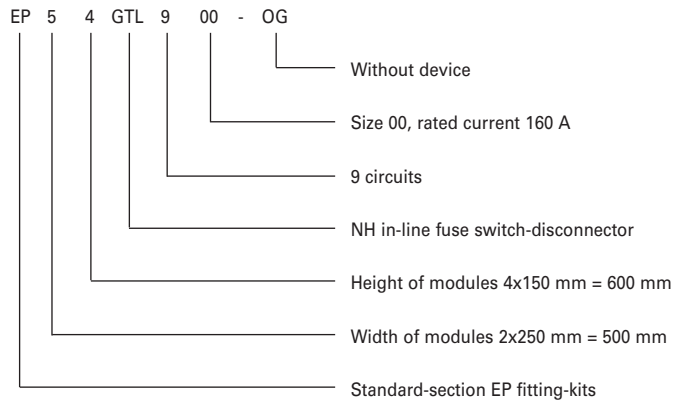
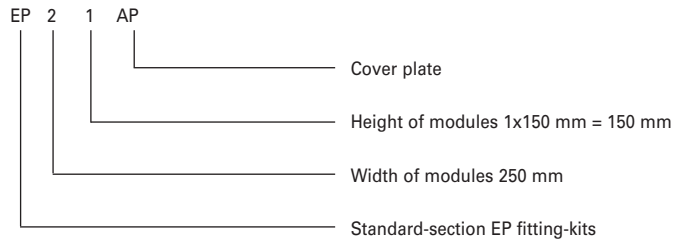
Assembly group variants for:

AP	Cover plate, closed design
RG	Devices for modular installation with DIN support rail
ORG	Devices for modular installation without DIN support rail
RK	Block terminals
MP	Mounting plate
GRT	NH fuse load disconnecter NH000
GRT_R	NH fuse load disconnecter NH000 (busbar mounting)
XNH	NH fuse load disconnecter NH00-NH3
XNH_R	NH fuse load disconnecter NH00-NH3 (busbar mounting)
GRC	Device, busbar-mounted distribution board system Type C
GRC_N	Version D02 (neo zed)
GRC_NV	Version D02 (neo zed), vertically arranged
GRC_V	Version DII / DIII, vertically arranged
GRC_LD	Version load disconnecter for D -fuses
GRC_OG	Version without device
GTL	Device, NH in-line fuse switch-disconnector
GTL_OG	Version without device
GLD	Device, load disconnecter Dumeco series
QSA	Load disconnecter for NH fuses type QSA
QSA_TK	Version door coupling
GE	Circuit breaker series G size E
Z	Meter
WT	Bracket rest for door wiring



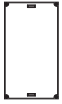









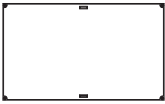
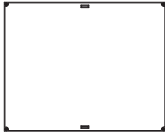
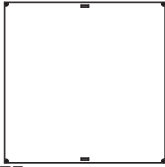

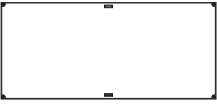
Sizes / Rated current ranges

00	Size 00 / 160 A
1	Size 1 / 250 A
2	Size 2 / 400 A
3	Size 3 / 630 A

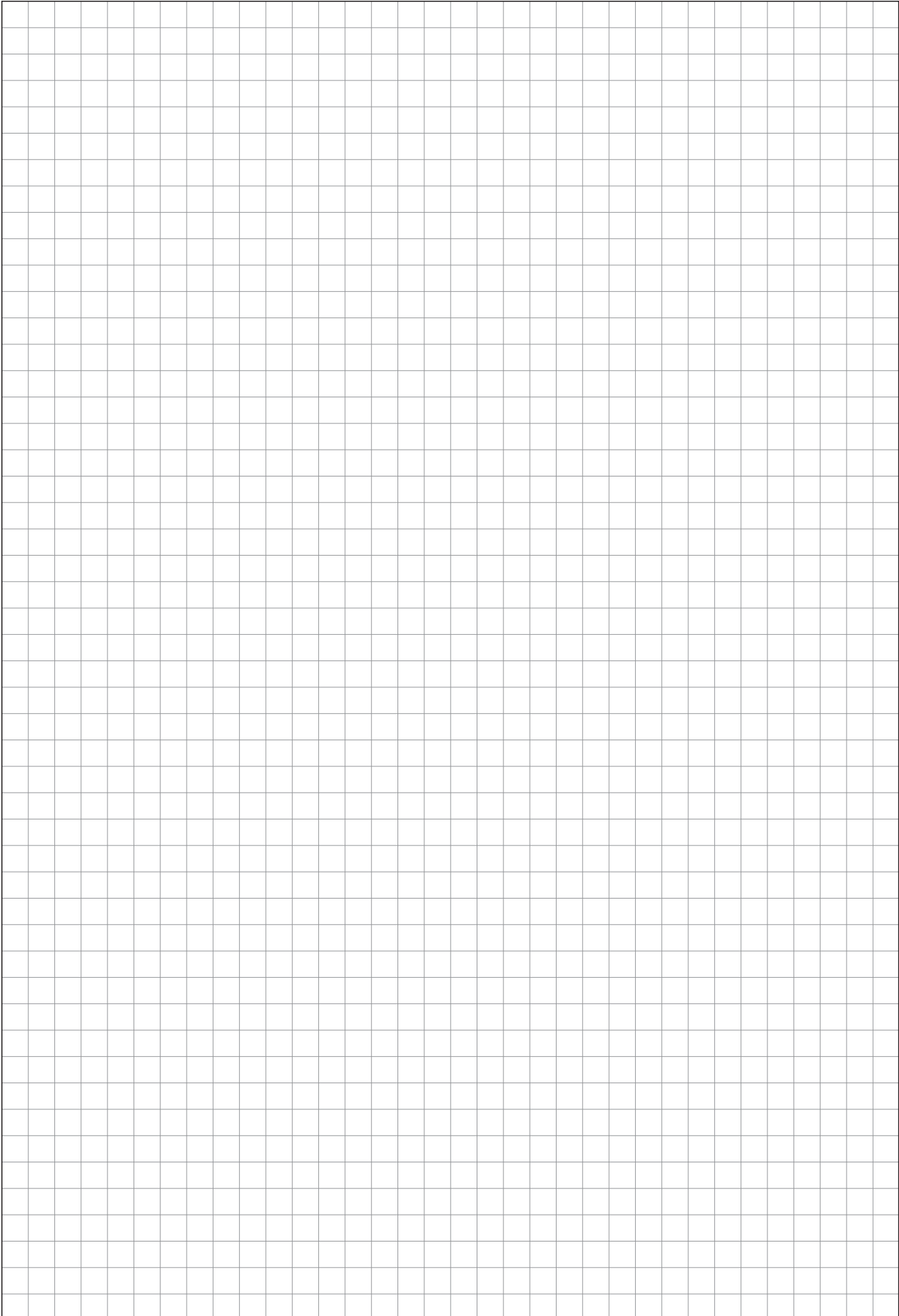
Example of types:



Dimensions and type designations

	H = 150 mm	H = 300 mm	H = 450 mm	H = 600 mm	H = 750 mm
W = 250 mm	12 MU  EP21	24 MU  EP22	36 MU  EP23	48 MU  EP24	60 MU  EP25
W = 500 mm	24 MU  EP51	48 MU  EP52	72 MU  EP53	96 MU  EP54	120 MU  EP55
W = 750 mm	36 MU  EP71	72 MU  EP72	108 MU  EP73	144 MU  EP74	180 MU  EP75
W = 1000 mm		96 MU  EP102	144 MU  EP103		

1 MU = 18 mm



Wall-mounted enclosures BP-O, IP30 for Profi+ installation units

wa_vt07813



wa_vt32613



BP-0...

- Sheet-steel enclosure, degree of protection IP30, IK07
- Protection class I
- 262,5 mm enclosure depth
- Empty enclosures for accommodating Profi+ installation units
Special types for assembling on the base frame or MSW assembling
- Available as flat-pack (full range) or fully assembled enclosure (limited range)
- Single-wing (till 800 mm wide) and double-wing door versions
- Hinged handle with rotary lock;
Larger enclosures 3-point rod lock with clip down handle
- Possibility of direct fixing on the wall
- Easy to add-on multiple enclosures
- Doors with covered hinges, reversible
- Suitable for wide range of (pass-through membrane) flanges
- Body white RAL 9016 or grey RAL 7035

Surface-Mounting Installation Distribution Boards - Fully Assembled, IP30, **BP-O-...-C**

- including base frame, side panels, top/bottom panels and door
- including DIN-rail sets BPZ-DINR...B
- including front plates (150 mm) with device cutout (45 mm)
- including cable entry at the top, with pass-through flange
- with bottom panel blind
- mounting on main frame - no mounting side wall MSW

Width / Outside Height (mm) / MU / Rows	Type Designation	Article No.	Units per package
---	------------------	-------------	-------------------

Rotary door handle, Grey

wa_vt07713



600 / 760 / 96 / 4	BP-O-600/7-C	293307	1
600 / 1060 / 144 / 6	BP-O-600/10-C	293308	1
600 / 1260 / 168 / 7	BP-O-600/12-C	293309	1
600 / 1560 / 216 / 9	BP-O-600/15-C	293310	1
800 / 760 / 140 / 4	BP-O-800/7-C	293311	1
800 / 1060 / 210 / 6	BP-O-800/10-C	293312	1
800 / 1260 / 245 / 7	BP-O-800/12-C	293313	1
800 / 1560 / 315 / 9	BP-O-800/15-C	293314	1

Rotary door handle, Grey

- additional cable entry at the bottom, with pass-through flange

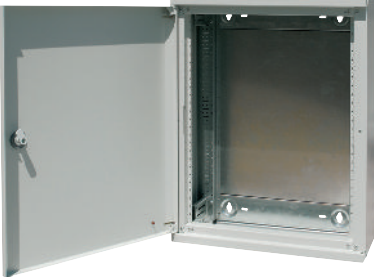
wa_vt07813



600 / 760 / 96 / 4	BP-O-600/7-C-W	105534	1
600 / 1060 / 144 / 6	BP-O-600/10-C-W	105535	1
600 / 1260 / 168 / 7	BP-O-600/12-C-W	105536	1
600 / 1560 / 216 / 9	BP-O-600/15-C-W	105537	1
800 / 760 / 140 / 4	BP-O-800/7-C-W	105538	1
800 / 1060 / 210 / 6	BP-O-800/10-C-W	105539	1
800 / 1260 / 245 / 7	BP-O-800/12-C-W	105540	1
800 / 1560 / 315 / 9	BP-O-800/15-C-W	105541	1

Surface-Mounting Installation Distribution Boards - Fully Assembled, IP30, **BP-O-...**

- including base frame, side panels, top/bottom panels and door
- including cable entry at the top, with pass-through flange
- with bottom panel blind
- mounting on main frame - no mounting side wall MSW

	Width / Outside Height / Frontplate Height (mm)	Type Designation	Article No.	Units per package
Rotary door handle, Grey				
<small>wa_vt04713</small>				
	400 / 460 / 350	BP-O-400/4	100959	1
	400 / 760 / 650	BP-O-400/7	100960	1
	400 / 1060 / 950	BP-O-400/10	100961	1
	400 / 1260 / 1150	BP-O-400/12	100962	1
	600 / 460 / 350	BP-O-600/4	100963	1
	600 / 760 / 650	BP-O-600/7	100964	1
	600 / 1060 / 950	BP-O-600/10	100965	1
	600 / 1260 / 1150	BP-O-600/12	100966	1
	600 / 1560 / 1450	BP-O-600/15	100967	1
	800 / 760 / 650	BP-O-800/7	100968	1
	800 / 1060 / 950	BP-O-800/10	100969	1
	800 / 1260 / 1150	BP-O-800/12	100970	1
	800 / 1560 / 1450	BP-O-800/15	100971	1
	1000 / 1060 / 950	BP-O-1000/10	100972	1
	1000 / 1260 / 1150	BP-O-1000/12	100973	1
	1000 / 1560 / 1450	BP-O-1000/15	100974	1
	1200 / 1260 / 1150	BP-O-1200/12	100975	1
	1200 / 1560 / 1450	BP-O-1200/15	100976	1

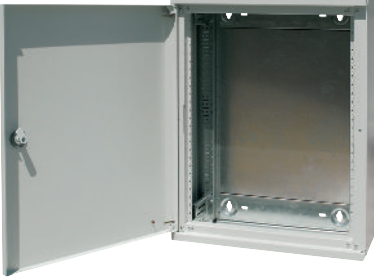
Surface-Mounting Installation Distribution Boards - Fully Assembled, IP30, **BP-O-...-P-F3A**

- including base frame, side panels, top/bottom panels and door
- prepared for F3A flanges at the top
- with bottom panel blind
- mounting on main frame - no mounting side wall MSW

	Width / Outside Height / Frontplate Height (mm)	Type Designation	Article No.	Units per package
Clip-down handle, Grey				
	400 / 460 / 350	BP-O-400/4-P-F3A	187820	1
	400 / 760 / 650	BP-O-400/7-P-F3A	187821	1
	400 / 1060 / 950	BP-O-400/10-P-F3A	187822	1
	400 / 1260 / 1150	BP-O-400/12-P-F3A	187823	1
	400 / 1560 / 1450	BP-O-400/15-P-F3A	187824	1
	600 / 460 / 350	BP-O-600/4-P-F3A	187825	1
	600 / 760 / 650	BP-O-600/7-P-F3A	187826	1
	600 / 1060 / 950	BP-O-600/10-P-F3A	187827	1
	600 / 1260 / 1150	BP-O-600/12-P-F3A	187828	1
	600 / 1560 / 1450	BP-O-600/15-P-F3A	187829	1
	800 / 460 / 350	BP-O-800/4-P-F3A	187830	1
	800 / 760 / 650	BP-O-800/7-P-F3A	187831	1
	800 / 1060 / 950	BP-O-800/10-P-F3A	187832	1
	800 / 1260 / 1150	BP-O-800/12-P-F3A	187833	1
	800 / 1560 / 1450	BP-O-800/15-P-F3A	187834	1
	1000 / 1060 / 950	BP-O-1000/10-P-F3A	187835	1
	1000 / 1260 / 1150	BP-O-1000/12-P-F3A	187836	1
	1000 / 1560 / 1450	BP-O-1000/15-P-F3A	187837	1
	1200 / 1260 / 1150	BP-O-1200/12-P-F3A	187838	1
	1200 / 1560 / 1450	BP-O-1200/15-P-F3A	187839	1

Surface-Mounting Installation Distribution Boards - Fully Assembled, IP30, **BP-O-...-MSW**

- including base frame, side panels with MSW assembling, top/bottom panels and door
- including cable entry at the top, with pass-through flange
- with bottom panel blind
- Snap Element BPZ-SNAP-MSW-CTS already mounted
- MSW assembling

	Width / Outside Height / Frontplate Height (mm)	Type Designation	Article No.	Units per package
Rotary door handle, Grey				
<small>wa_vt04713</small>				
	400 / 460 / 350	BP-O-400/4-MSW	149116	1
	400 / 760 / 650	BP-O-400/7-MSW	149117	1
	400 / 1060 / 950	BP-O-400/10-MSW	149118	1
	400 / 1260 / 1150	BP-O-400/12-MSW	149119	1
	400 / 1560 / 1450	BP-O-400/15-MSW	149150	1
	600 / 460 / 350	BP-O-600/4-MSW	149151	1
	600 / 760 / 650	BP-O-600/7-MSW	149152	1
	600 / 1060 / 950	BP-O-600/10-MSW	149153	1
	600 / 1260 / 1150	BP-O-600/12-MSW	149154	1
	600 / 1560 / 1450	BP-O-600/15-MSW	149155	1
	800 / 460 / 350	BP-O-800/4-MSW	149156	1
	800 / 760 / 650	BP-O-800/7-MSW	149157	1
	800 / 1060 / 950	BP-O-800/10-MSW	149158	1
	800 / 1260 / 1150	BP-O-800/12-MSW	149159	1
	800 / 1560 / 1450	BP-O-800/15-MSW	149160	1
	1000 / 1060 / 950	BP-O-1000/10-MSW	149161	1
	1000 / 1260 / 1150	BP-O-1000/12-MSW	149162	1
	1000 / 1560 / 1450	BP-O-1000/15-MSW	149163	1
	1200 / 1260 / 1150	BP-O-1200/12-MSW	149164	1
	1200 / 1560 / 1450	BP-O-1200/15-MSW	149165	1

Surface-Mounting Installation Distribution Boards - Fully Assembled, IP30, fire resistance, **BP-O-...-EW**

- including base frame, side panels, top/bottom panels and door
- including cable entry at the top, with pass-through flange
- with bottom panel blind
- fire resistance
- mounting on main frame - no mounting side wall MSW

Width / Outside Height (mm) / MU	Type Designation	Article No.	Units per package
----------------------------------	------------------	-------------	-------------------

Rotary door handle, Grey

wa_vt23813



400 / 460 / 350	BP-O-400/4-EW	116614	1
400 / 760 / 650	BP-O-400/7-EW	116615	1
400 / 1060 / 950	BP-O-400/10-EW	116616	1
400 / 1260 / 1150	BP-O-400/12-EW	116617	1
400 / 1560 / 1150	BP-O-400/15-EW	116618	1
600 / 460 / 350	BP-O-600/4-EW	116619	1
600 / 760 / 650	BP-O-600/7-EW	116620	1
600 / 1060 / 950	BP-O-600/10-EW	116621	1
600 / 1260 / 1150	BP-O-600/12-EW	116622	1
600 / 1560 / 1450	BP-O-600/15-EW	116623	1
800 / 460 / 350	BP-O-800/4-EW	116624	1
800 / 760 / 650	BP-O-800/7-EW	116625	1
800 / 1060 / 950	BP-O-800/10-EW	116626	1
800 / 1260 / 1150	BP-O-800/12-EW	116627	1
800 / 1560 / 1450	BP-O-800/15-EW	116628	1
1000 / 1060 / 950	BP-O-1000/10-EW	116629	1
1000 / 1260 / 1150	BP-O-1000/12-EW	116630	1
1000 / 1560 / 1450	BP-O-1000/15-EW	116631	1

wa_vt23713



Rotary door handle, White

400 / 460 / 350	BP-O-400/4-EW-W	116632	1
400 / 760 / 650	BP-O-400/7-EW-W	116633	1
400 / 1060 / 950	BP-O-400/10-EW-W	116634	1
400 / 1260 / 1150	BP-O-400/12-EW-W	116635	1
400 / 1560 / 1150	BP-O-400/15-EW-W	116636	1
600 / 460 / 350	BP-O-600/4-EW-W	116637	1
600 / 760 / 650	BP-O-600/7-EW-W	116638	1
600 / 1060 / 950	BP-O-600/10-EW-W	116639	1
600 / 1260 / 1150	BP-O-600/12-EW-W	116640	1
600 / 1560 / 1450	BP-O-600/15-EW-W	116641	1
800 / 460 / 350	BP-O-800/4-EW-W	116642	1
800 / 760 / 650	BP-O-800/7-EW-W	116643	1
800 / 1060 / 950	BP-O-800/10-EW-W	116644	1
800 / 1260 / 1150	BP-O-800/12-EW-W	116645	1
800 / 1560 / 1450	BP-O-800/15-EW-W	116646	1
1000 / 1060 / 950	BP-O-1000/10-EW-W	116647	1
1000 / 1260 / 1150	BP-O-1000/12-EW-W	116648	1
1000 / 1560 / 1450	BP-O-1000/15-EW-W	116649	1

Surface-Mounting Installation Distribution Boards - Flatpack, IP30, **BP-O-...FLAT**

- including base frame, side panels, top/bottom panels and door (rotary door handle)
- including cable entry at the top with pass-through flange
- with bottom panel blind
- mounting on main frame - no mounting side wall MSW

Width / Outside Height (mm) / MU	Type Designation	Article No.	Units per package
----------------------------------	------------------	-------------	-------------------

Rotary door handle, Grey

VT10808




600 / 760 / 96	BP-O-600/7-FLAT	113170	1
600 / 1060 / 144	BP-O-600/10-FLAT	113171	1
600 / 1260 / 168	BP-O-600/12-FLAT	113172	1
600 / 1560 / 216	BP-O-600/15-FLAT	113173	1
800 / 1060 / 210	BP-O-800/10-FLAT	113174	1
800 / 1260 / 245	BP-O-800/12-FLAT	113175	1
800 / 1560 / 315	BP-O-800/15-FLAT	113176	1

Rotary door handle, White

600 / 760 / 96	BP-O-600/7-FLAT-W	113177	1
600 / 1060 / 144	BP-O-600/10-FLAT-W	113178	1
600 / 1260 / 168	BP-O-600/12-FLAT-W	113179	1
600 / 1560 / 216	BP-O-600/15-FLAT-W	113180	1
800 / 1060 / 210	BP-O-800/10-FLAT-W	113181	1
800 / 1260 / 245	BP-O-800/12-FLAT-W	113182	1
800 / 1560 / 315	BP-O-800/15-FLAT-W	113183	1

Surface-Mounting Installation Distribution Boards - Components



	Width / Outside Height / Frontplate Height (mm)	Type Designation	Article No.	Units per package
Base Frame, BP-MF				
• including base plate, 4 towers and screws				
	400 / 460 / 350	BP-MF-400/4	286653	1
	400 / 760 / 650	BP-MF-400/7	286654	1
	400 / 1060 / 950	BP-MF-400/10	286655	1
	400 / 1260 / 1150	BP-MF-400/12	286656	1
	400 / 1560 / 1450	BP-MF-400/15	286657	1
	600 / 460 / 350	BP-MF-600/4	286658	1
	600 / 760 / 650	BP-MF-600/7	286659	1
	600 / 1060 / 950	BP-MF-600/10	286660	1
	600 / 1260 / 1150	BP-MF-600/12	286661	1
	600 / 1560 / 1450	BP-MF-600/15	286662	1
	800 / 460 / 350	BP-MF-800/4	286663	1
	800 / 760 / 650	BP-MF-800/7	286664	1
	800 / 1060 / 950	BP-MF-800/10	286665	1
	800 / 1260 / 1150	BP-MF-800/12	286666	1
	800 / 1560 / 1450	BP-MF-800/15	286667	1
	1000 / 1060 / 950	BP-MF-1000/10	293521	1
	1000 / 1260 / 1150	BP-MF-1000/12	293522	1
1000 / 1560 / 1450	BP-MF-1000/15	293523	1	
1200 / 1260 / 1150	BP-MF-1200/12	293524	1	
1200 / 1560 / 1450	BP-MF-1200/15	293525	1	

	Width / Description	Type Designation	Article No.	Units per package
--	---------------------	------------------	-------------	-------------------



Top/Bottom Panels, BP-TBP

- pair (for top and bottom), screws included
- with or without opening for cable entry

Grey

	400 / blind (without cutout)	BP-TBP-400-BL	286698	1
	600 / blind (without cutout)	BP-TBP-600-BL	286700	1
	800 / blind (without cutout)	BP-TBP-800-BL	286702	1
	1000 / blind (without cutout)	BP-TBP-1000-BL	293550	1
	1200 / blind (without cutout)	BP-TBP-1200-BL	293554	1
	400 / with opening for cable entry	BP-TBP-400-CE	286699	1
	600 / with opening for cable entry	BP-TBP-600-CE	286701	1
	800 / with opening for cable entry	BP-TBP-800-CE	286703	1
	1000 / with opening for cable entry	BP-TBP-1000-CE	293552	1
	1200 / with opening for cable entry	BP-TBP-1200-CE	293556	1

White

	400 / blind (without cutout)	BP-TBP-400-BL-W	292420	1
	600 / blind (without cutout)	BP-TBP-600-BL-W	292422	1
	800 / blind (without cutout)	BP-TBP-800-BL-W	292424	1
	1000 / blind (without cutout)	BP-TBP-1000-BL-W	293551	1
	1200 / blind (without cutout)	BP-TBP-1200-BL-W	293555	1
	400 / with opening for cable entry	BP-TBP-400-CE-W	292421	1
	600 / with opening for cable entry	BP-TBP-600-CE-W	292423	1
	800 / with opening for cable entry	BP-TBP-800-CE-W	292425	1
	1000 / with opening for cable entry	BP-TBP-1000-CE-W	293553	1
	1200 / with opening for cable entry	BP-TBP-1200-CE-W	293557	1

Width / Description	Type Designation	Article No.	Units per package
---------------------	------------------	-------------	-------------------

Top/Bottom Panels, BP-TBP1

- single item, screws included
- with or without opening for cable entry

Grey

wa_vt02213



400 / blind (without cutout)	BP-TBP1-400-BL	144689	1
600 / blind (without cutout)	BP-TBP1-600-BL	144700	1
800 / blind (without cutout)	BP-TBP1-800-BL	144701	1
1000 / blind (without cutout)	BP-TBP1-1000-BL	144702	1
1200 / blind (without cutout)	BP-TBP1-1200-BL	144703	1
400 / with opening for cable entry	BP-TBP1-400-CE	144704	1
600 / with opening for cable entry	BP-TBP1-600-CE	144705	1
800 / with opening for cable entry	BP-TBP1-800-CE	144706	1
1000 / with opening for cable entry	BP-TBP1-1000-CE	144707	1
1200 / with opening for cable entry	BP-TBP1-1200-CE	144708	1

White

vt03605



400 / blind (without cutout)	BP-TBP1-400-BL-W	144709	1
600 / blind (without cutout)	BP-TBP1-600-BL-W	144710	1
800 / blind (without cutout)	BP-TBP1-800-BL-W	144711	1
1000 / blind (without cutout)	BP-TBP1-1000-BL-W	144712	1
1200 / blind (without cutout)	BP-TBP1-1200-BL-W	144713	1
400 / with opening for cable entry	BP-TBP1-400-CE-W	144714	1
600 / with opening for cable entry	BP-TBP1-600-CE-W	144715	1
800 / with opening for cable entry	BP-TBP1-800-CE-W	144716	1
1000 / with opening for cable entry	BP-TBP1-1000-CE-W	144717	1
1200 / with opening for cable entry	BP-TBP1-1200-CE-W	144718	1

Width / Description	Type Designation	Article No.	Units per package
---------------------	------------------	-------------	-------------------

Cable Entry/Flange Plate, BP-FLP

- single item, screws included
- with or without opening for cable entry

Grey

VT00705



for IP30 applications, for surface- and floor standing boards

400 / blind	BP-FLP-400-BL	286704	1
600 / blind	BP-FLP-600-BL	286707	1
800 / blind	BP-FLP-800-BL	286710	1
1000 / blind	BP-FLP-1000-BL	293558	1
1200 / blind	BP-FLP-1200-BL	293564	1

VT00505



400 / pass-through flange	BP-FLP-400-2K	286705	1
600 / pass-through flange	BP-FLP-600-2K	286708	1
800 / pass-through flange	BP-FLP-800-2K	286711	1
1000 / pass-through flange	BP-FLP-1000-2K	293560	1
1200 / pass-through flange	BP-FLP-1200-2K	293566	1

VT00605



For IP54 applications, for surface- and floor standing boards

400 / prepared for F3A flanges	BP-FLP-400-F3A	286706	1
600 / prepared for F3A flanges	BP-FLP-600-F3A	286709	1
800 / prepared for F3A flanges	BP-FLP-800-F3A	286712	1
1000 / prepared for F3A flanges	BP-FLP-1000-F3A	293562	1
1200 / prepared for F3A flanges	BP-FLP-1200-F3A	293568	1

White

VT02905



for IP30 applications, for surface- and floor standing boards

400 / blind	BP-FLP-400-BL-W	292426	1
600 / blind	BP-FLP-600-BL-W	292429	1
800 / blind	BP-FLP-800-BL-W	292432	1
1000 / blind	BP-FLP-1000-BL-W	293559	1
1200 / blind	BP-FLP-1200-BL-W	293565	1

VT02705










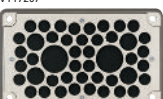
400 / pass-through flange	BP-FLP-400-2K-W	292427	1
600 / pass-through flange	BP-FLP-600-2K-W	292430	1
800 / pass-through flange	BP-FLP-800-2K-W	292433	1
1000 / pass-through flange	BP-FLP-1000-2K-W	293561	1
1200 / pass-through flange	BP-FLP-1200-2K-W	293567	1

VT02805



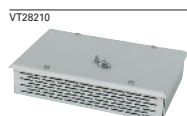
For IP54 applications, for surface- and floor standing boards

400 / prepared for F3A flanges	BP-FLP-400-F3A-W	292428	1
600 / prepared for F3A flanges	BP-FLP-600-F3A-W	292431	1
800 / prepared for F3A flanges	BP-FLP-800-F3A-W	292434	1
1000 / prepared for F3A flanges	BP-FLP-1000-F3A-W	293563	1
1200 / prepared for F3A flanges	BP-FLP-1200-F3A-W	293569	1

	Description	Type Designation	Article No.	Units per package
F3A Flanges				
• for IP54 applications, for surface- and floor standing boards				
	Blind flange	F3A-0	074182	1
	Blind flange sheet-steel	F3A-XP	113426	1
	4xM16, 6xM25/16, 8xM32/20	F3A-4	081301	1
	2xM20, 8xM25/16, 4xM32/20, 1xM50/32	F3A-8	091468	1
	2xM16, 12xM20, 2xM40/25, 2xM50/32	F3A-12	076555	1
	24xM16, 13xM20	F3A-34	078928	1
	2 Grommets for cables up to Ø 70mm	F3A-KTD	083674	1
	Cellular rubber insertion flange 40 cables Ø 10-13mm 4 cables Ø 17-21mm 2 cables Ø 27-30mm	F3A-D	010145	1
	Steel sheet with knockouts 9xM20, 2xM40/M32, 2xM50/M40	F3A-XP-M50/40	187862	1
	Steel sheet with knockouts 10xM16, 12xM20	F3A-XP-M20/16	187863	1

Sheet metal flange plate as a ventilation hood

• for IP30 applications



Flange with ventilating	F3A-V	149194	1
-------------------------	-------	--------	---

Description	Type Designation	Article No.	Units per package
-------------	------------------	-------------	-------------------

Pass-through Flange ZSD-2K/FLA

- pass-through flange for diverse wire cross-section, for IP30 applications

wa_vt07113



14 cables Ø 11mm, 8 cables Ø 15mm, 2 cables Ø 28mm	ZSD-2K/FLA	272166	1
Cover sheet steel (blind) instead of 2K flange	2K/BLIND	151178	1

Width (mm)	Type Designation	Article No.	Units per package
------------	------------------	-------------	-------------------

Shift-back flange, BP-FLP-...-VS

- for IP30 applications, for surface- and floor standing boards
- flange rotatable for inside and outside mounting
- for wall mounting and floor standing boards with a width of 400, 600, 800 mm is one shift-back flange necessary
- for floor standing boards with a width of 1000 and 1200 mm two shift-back flanges, width 600 and 400 mm or width 600 and 600 mm are necessary

Grey

VT13208



400	BP-FLP-400-VS	119355	1
600	BP-FLP-600-VS	119356	1
800	BP-FLP-800-VS	119357	1
1000	BP-FLP-1000-VS	119358	1
1200	BP-FLP-1200-VS	119359	1

White

400	BP-FLP-400-VS-W	131573	1
600	BP-FLP-600-VS-W	131574	1
800	BP-FLP-800-VS-W	131575	1
1000	BP-FLP-1000-VS-W	131576	1
1200	BP-FLP-1200-VS-W	131577	1

Outside Height (mm)	Type Designation	Article No.	Units per package
---------------------	------------------	-------------	-------------------

Side Panels, BP-SP

- pair (for left and right side), screws included
- mounting on main frame

Grey

VT16704, VT16804



460	BP-SP-4	286693	1
760	BP-SP-7	286694	1
1060	BP-SP-10	286695	1
1260	BP-SP-12	286696	1
1560	BP-SP-15	286697	1

White

VT03805, VT03905



460	BP-SP-4-W	292415	1
760	BP-SP-7-W	292416	1
1060	BP-SP-10-W	292417	1
1260	BP-SP-12-W	292418	1
1560	BP-SP-15-W	292419	1

Outside Height (mm)	Type Designation	Article No.	Units per package
---------------------	------------------	-------------	-------------------

Side Panels, BP-SP-MSW

- pair (for left and right side), screws included
- for MSW applications

Grey

VT12007, VT12007



460	BPZ-SP-MSW-4	111339	1
760	BPZ-SP-MSW-7	111341	1
1060	BPZ-SP-MSW-10	111342	1
1260	BPZ-SP-MSW-12	111343	1
1560	BPZ-SP-MSW-15	111344	1

White

460	BPZ-SP-MSW-4-W	111345	1
760	BPZ-SP-MSW-7-W	111347	1
1060	BPZ-SP-MSW-10-W	111348	1
1260	BPZ-SP-MSW-12-W	111349	1
1560	BPZ-SP-MSW-15-W	111350	1

Width / Height (mm)	Type Designation	Article No.	Units per package
---------------------	------------------	-------------	-------------------

Sheet Steel Doors IP30, BP-DS

Rotary door handle, Grey

wa_vt80613



400 / 400	BP-DS-400/4	286713	1
400 / 700	BP-DS-400/7	286714	1
400 / 1000	BP-DS-400/10	286715	1
400 / 1200	BP-DS-400/12	286716	1
400 / 1500	BP-DS-400/15	286717	1
600 / 400	BP-DS-600/4	286718	1
600 / 700	BP-DS-600/7	286719	1
600 / 1000	BP-DS-600/10	286720	1
600 / 1200	BP-DS-600/12	286721	1
600 / 1500	BP-DS-600/15	286722	1
800 / 400	BP-DS-800/4	286723	1
800 / 700	BP-DS-800/7	286724	1
800 / 1000	BP-DS-800/10	286725	1
800 / 1200	BP-DS-800/12	286726	1
800 / 1500	BP-DS-800/15	286727	1
600+400L / 1000	BP-DS-600/10	286720	1
	BP-DS-400/10-L	293570	1
600+400L / 1200	BP-DS-600/12	286721	1
	BP-DS-400/12-L	293572	1
600+400L / 1500	BP-DS-600/15	286722	1
	BP-DS-400/15-L	293574	1
600+600L / 1200	BP-DS-600/12	286721	1
	BP-DS-600/12-L	293576	1
600+600L / 1500	BP-DS-600/15	286722	1
	BP-DS-600/15-L	293578	1

Rotary door handle, White

wa_vt03313



400 / 400	BP-DS-400/4-W	292435	1
400 / 700	BP-DS-400/7-W	292436	1
400 / 1000	BP-DS-400/10-W	292437	1
400 / 1200	BP-DS-400/12-W	292438	1
400 / 1500	BP-DS-400/15-W	292439	1
600 / 400	BP-DS-600/4-W	292440	1
600 / 700	BP-DS-600/7-W	292441	1
600 / 1000	BP-DS-600/10-W	292442	1
600 / 1200	BP-DS-600/12-W	292443	1
600 / 1500	BP-DS-600/15-W	292444	1
800 / 400	BP-DS-800/4-W	292445	1
800 / 700	BP-DS-800/7-W	292446	1
800 / 1000	BP-DS-800/10-W	292447	1
800 / 1200	BP-DS-800/12-W	292448	1
800 / 1500	BP-DS-800/15-W	292449	1
600+400L / 1000	BP-DS-600/10-W	292442	1
	BP-DS-400/10-L-W	293571	1
600+400L / 1200	BP-DS-600/12-W	292443	1
	BP-DS-400/12-L-W	293573	1
600+400L / 1500	BP-DS-600/15-W	292444	1
	BP-DS-400/15-L-W	293575	1
600+600L / 1200	BP-DS-600/12-W	292443	1
	BP-DS-600/12-L-W	293577	1
600+600L / 1500	BP-DS-600/15-W	292444	1
	BP-DS-600/15-L-W	293579	1

Width / Height (mm)	Type Designation	Article No.	Units per package
---------------------	------------------	-------------	-------------------

Clip-down handle, Grey

wa_vt03913



400 / 400	BP-DS-400/4-P	119063	1
400 / 700	BP-DS-400/7-P	119064	1
400 / 1000	BP-DS-400/10-P	119065	1
400 / 1200	BP-DS-400/12-P	119066	1
400 / 1500	BP-DS-400/15-P	119067	1
600 / 400	BP-DS-600/4-P	119068	1
600 / 700	BP-DS-600/7-P	119069	1
600 / 1000	BP-DS-600/10-P	119070	1
600 / 1200	BP-DS-600/12-P	119071	1
600 / 1500	BP-DS-600/15-P	119072	1
800 / 400	BP-DS-800/4-P	119073	1
800 / 700	BP-DS-800/7-P	119074	1
800 / 1000	BP-DS-800/10-P	119075	1
800 / 1200	BP-DS-800/12-P	119076	1
800 / 1500	BP-DS-800/15-P	119077	1

Clip-down handle, White

400 / 400	BP-DS-400/4-P-W	119078	1
400 / 700	BP-DS-400/7-P-W	119079	1
400 / 1000	BP-DS-400/10-P-W	119080	1
400 / 1200	BP-DS-400/12-P-W	119081	1
400 / 1500	BP-DS-400/15-P-W	119082	1
600 / 400	BP-DS-600/4-P-W	119083	1
600 / 700	BP-DS-600/7-P-W	119084	1
600 / 1000	BP-DS-600/10-P-W	119085	1
600 / 1200	BP-DS-600/12-P-W	119086	1
600 / 1500	BP-DS-600/15-P-W	119087	1
800 / 400	BP-DS-800/4-P-W	119088	1
800 / 700	BP-DS-800/7-P-W	119089	1
800 / 1000	BP-DS-800/10-P-W	119090	1
800 / 1200	BP-DS-800/12-P-W	119091	1
800 / 1500	BP-DS-800/15-P-W	119092	1

Width / Height (mm)	Type Designation	Article No.	Units per package
---------------------	------------------	-------------	-------------------

Transparent Doors (Sheet Steel), IP30, BP-DT

Rotary door handle, Grey

wa_vt80813



400 / 400	BP-DT-400/4	286728	1
400 / 700	BP-DT-400/7	286729	1
400 / 1000	BP-DT-400/10	286730	1
400 / 1200	BP-DT-400/12	286731	1
400 / 1500	BP-DT-400/15	286732	1
600 / 400	BP-DT-600/4	286733	1
600 / 700	BP-DT-600/7	286734	1
600 / 1000	BP-DT-600/10	286735	1
600 / 1200	BP-DT-600/12	286736	1
600 / 1500	BP-DT-600/15	286737	1
800 / 400	BP-DT-800/4	286738	1
800 / 700	BP-DT-800/7	286739	1
800 / 1000	BP-DT-800/10	286740	1
800 / 1200	BP-DT-800/12	286741	1
800 / 1500	BP-DT-800/15	286742	1
600+400L / 1000	BP-DT-600/10	286735	1
	BP-DT-400/10-L	293580	1
600+400L / 1200	BP-DT-600/12	286736	1
	BP-DT-400/12-L	293582	1
600+400L / 1500	BP-DT-600/15	286737	1
	BP-DT-400/15-L	293584	1
600+600L / 1200	BP-DT-600/12	286736	1
	BP-DT-600/12-L	293586	1
600+600L / 1500	BP-DT-600/15	286737	1
	BP-DT-600/15-L	293588	1

Rotary door handle, White

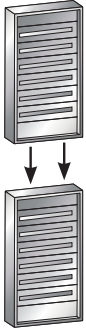
wa_vt80713



400 / 400	BP-DT-400/4-W	292450	1
400 / 700	BP-DT-400/7-W	292451	1
400 / 1000	BP-DT-400/10-W	292452	1
400 / 1200	BP-DT-400/12-W	292453	1
400 / 1500	BP-DT-400/15-W	292454	1
600 / 400	BP-DT-600/4-W	292455	1
600 / 700	BP-DT-600/7-W	292456	1
600 / 1000	BP-DT-600/10-W	292457	1
600 / 1200	BP-DT-600/12-W	292458	1
600 / 1500	BP-DT-600/15-W	292459	1
800 / 400	BP-DT-800/4-W	292460	1
800 / 700	BP-DT-800/7-W	292461	1
800 / 1000	BP-DT-800/10-W	292462	1
800 / 1200	BP-DT-800/12-W	292463	1
800 / 1500	BP-DT-800/15-W	292464	1
600+400L / 1000	BP-DT-600/10-W	292457	1
	BP-DT-400/10-L-W	293581	1
600+400L / 1200	BP-DT-600/12-W	292458	1
	BP-DT-400/12-L-W	293583	1
600+400L / 1500	BP-DT-600/15-W	292459	1
	BP-DT-400/15-L-W	293585	1
600+600L / 1200	BP-DT-600/12-W	292458	1
	BP-DT-600/12-L-W	293587	1
600+600L / 1500	BP-DT-600/15-W	292459	1
	BP-DT-600/15-L-W	293589	1

Width (mm)	Type Designation	Article No.	Units per package
------------	------------------	-------------	-------------------

Horizontal/Middle Add-on Connection Element, BP-MFL



- for different widths
- horizontal add-on connection element between 2 distribution boards (one on top of the other), screws inclusive
- for surface-mounted boards IP30
- bottom panel of the top board and top panel of the bottom board are not used, one set is used for both connected boards

Grey

VT16204, VT17004



400	BP-MFL-400	286743	1
600	BP-MFL-600	286744	1
800	BP-MFL-800	286745	1
1000	BP-MFL-1000	111431	1
1200	BP-MFL-1200	111432	1

White

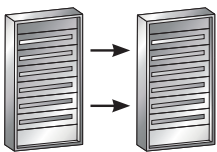
VT03305, VT04005



400	BP-MFL-400-W	292465	1
600	BP-MFL-600-W	292466	1
800	BP-MFL-800-W	292467	1
1000	BP-MFL-1000-W	111433	1
1200	BP-MFL-1200-W	111434	1

Height (mm)	Type Designation	Article No.	Units per package
-------------	------------------	-------------	-------------------

Vertical/Middle Add-on Connection Element, BP-MSL



- for different heights
- vertical add-on connection element between 2 distribution boards (one next to the other), screws inclusive
- for surface-mounted boards IP30
- inner side panel are not used, one set is used for both connected boards
- to preserve max. opening angle the left board must have left closing door and the right board must have right closing door
- add-on with side panel BP-SP

Grey

VT16304, VT16904



460	BP-MSL-4	286746	1
760	BP-MSL-7	286747	1
1060	BP-MSL-10	286748	1
1260	BP-MSL-12	286749	1
1560	BP-MSL-15	286750	1

White

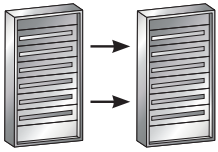
VT03405, VT16904



460	BP-MSL-4-W	292468	1
760	BP-MSL-7-W	292469	1
1060	BP-MSL-10-W	292470	1
1260	BP-MSL-12-W	292471	1
1560	BP-MSL-15-W	292472	1

Height (mm)	Type Designation	Article No.	Units per package
-------------	------------------	-------------	-------------------

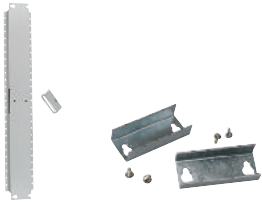
Vertical/Middle Add-on Connection Element, BP-MSL-MSW



- for different heights
- vertical add-on connection element between 2 distribution boards (one next to the other), screws inclusive for MSW applications
- for surface-mounted boards IP30
- add-on with side panel BPZ-SP-...-MSW
- inner side panel are not used, one set is used for both connected boards
- to preserve max. opening angle the left board must have left closing door and the right board must have right closing door

Grey

vt16304, vt16904



460	BP-MSL-MSW-4	111419	1
760	BP-MSL-MSW-7	111421	1
1060	BP-MSL-MSW-10	111422	1
1260	BP-MSL-MSW-12	111423	1
1560	BP-MSL-MSW-15	111424	1

Grey

460	BP-MSL-MSW-4-W	111425	1
760	BP-MSL-MSW-7-W	111427	1
1060	BP-MSL-MSW-10-W	111428	1
1260	BP-MSL-MSW-12-W	111429	1
1560	BP-MSL-MSW-15-W	111430	1

Wall-mounted enclosures BPM-O, IP54 for Profi+ installation units

wa_v07513



BPM-O...

- Sheet-steel welded enclosure, degree of protection IP54, IK07
- Protection class I
- 270 mm enclosure depth
- Empty enclosures for accommodating Profi+ installation units
For assembling on the base frame or MSW assembling
- Single-wing (till 800 mm wide) and double-wing door versions
- Hinged handle with two-way key bit or 3-point rod lock with clip down handle;
- Optional wall angle brackets for fixing on the wall
- Reversible door hinging
- Open cable entry above, prepared for F3A flanges
- Body white RAL 9016 or grey RAL 7035

Moisture Proof-Surface Mounting Installation Distribution Boards, IP54, BPM-O-...

- welded construction with door and two-way key bit
- open cable entry above, prepared for F3A-Flanges
- interior fitting system possible via MSW or Towers
- to assemble with MSW, 2 pair Corner Tower Sets BPZ-CTS-S and 1 piece Snap Element BPZ-SNAP-MSW-CTS have to be ordered separately
- to assemble on the main frame 2 pieces Frontplate Support BPZ-FPS have to be ordered separately

Width / Outside Height / Frontplate Height (mm)	Type Designation	Article No.	Units per package
---	------------------	-------------	-------------------

Two-way key bit, Grey

wa_v17413



400 / 460 / 350	BPM-O-400/4	110837	1
400 / 760 / 650	BPM-O-400/7	110838	1
400 / 1060 / 950	BPM-O-400/10	110839	1
400 / 1260 / 1150	BPM-O-400/12	111020	1
400 / 1560 / 1450	BPM-O-400/15	111021	1
600 / 460 / 350	BPM-O-600/4	111022	1
600 / 760 / 650	BPM-O-600/7	111023	1
600 / 1060 / 950	BPM-O-600/10	111024	1
600 / 1260 / 1150	BPM-O-600/12	111025	1
600 / 1560 / 1450	BPM-O-600/15	111026	1
800 / 460 / 350	BPM-O-800/4	111027	1
800 / 760 / 650	BPM-O-800/7	111028	1
800 / 1060 / 950	BPM-O-800/10	111029	1
800 / 1260 / 1150	BPM-O-800/12	111030	1
800 / 1560 / 1450	BPM-O-800/15	111031	1
1000 / 1060 / 950	BPM-O-1000/10	111032	1
1000 / 1260 / 1150	BPM-O-1000/12	111033	1
1000 / 1560 / 1450	BPM-O-1000/15	111034	1
1200 / 1260 / 1150	BPM-O-1200/12	111035	1
1200 / 1560 / 1450	BPM-O-1200/15	111036	1

wa_v17513



Two-way key bit, White

400 / 460 / 350	BPM-O-400/4-W	111057	1
400 / 760 / 650	BPM-O-400/7-W	111058	1
400 / 1060 / 950	BPM-O-400/10-W	111059	1
400 / 1260 / 1150	BPM-O-400/12-W	111060	1
400 / 1560 / 1450	BPM-O-400/15-W	111061	1
600 / 460 / 350	BPM-O-600/4-W	111062	1
600 / 760 / 650	BPM-O-600/7-W	111063	1
600 / 1060 / 950	BPM-O-600/10-W	111064	1
600 / 1260 / 1150	BPM-O-600/12-W	111065	1
600 / 1560 / 1450	BPM-O-600/15-W	111066	1
800 / 460 / 350	BPM-O-800/4-W	111067	1
800 / 760 / 650	BPM-O-800/7-W	111068	1
800 / 1060 / 950	BPM-O-800/10-W	111069	1
800 / 1260 / 1150	BPM-O-800/12-W	111070	1
800 / 1560 / 1450	BPM-O-800/15-W	111071	1
1000 / 1060 / 950	BPM-O-1000/10-W	111072	1
1000 / 1260 / 1150	BPM-O-1000/12-W	111073	1
1000 / 1560 / 1450	BPM-O-1000/15-W	111074	1
1200 / 1260 / 1150	BPM-O-1200/12-W	111075	1
1200 / 1560 / 1450	BPM-O-1200/15-W	111076	1

Width / Outside Height / Frontplate Height (mm)	Type Designation	Article No.	Units per package
---	------------------	-------------	-------------------

Clip-down handle, Grey

wa_vt08514



400 / 460 / 350	BPM-O-400/4-P	116653	1
400 / 760 / 650	BPM-O-400/7-P	116654	1
400 / 1060 / 950	BPM-O-400/10-P	116655	1
400 / 1260 / 1150	BPM-O-400/12-P	116656	1
400 / 1560 / 1450	BPM-O-400/15-P	116657	1
600 / 460 / 350	BPM-O-600/4-P	116658	1
600 / 760 / 650	BPM-O-600/7-P	116659	1
600 / 1060 / 950	BPM-O-600/10-P	116660	1
600 / 1260 / 1150	BPM-O-600/12-P	116661	1
600 / 1560 / 1450	BPM-O-600/15-P	116662	1
800 / 460 / 350	BPM-O-800/4-P	116663	1
800 / 760 / 650	BPM-O-800/7-P	116664	1
800 / 1060 / 950	BPM-O-800/10-P	116665	1
800 / 1260 / 1150	BPM-O-800/12-P	116666	1
800 / 1560 / 1450	BPM-O-800/15-P	116667	1
1000 / 1060 / 950	BPM-O-1000/10-P	116668	1
1000 / 1260 / 1150	BPM-O-1000/12-P	116669	1
1000 / 1560 / 1450	BPM-O-1000/15-P	116670	1
1200 / 1260 / 1150	BPM-O-1200/12-P	116671	1
1200 / 1560 / 1450	BPM-O-1200/15-P	116672	1

Basic Enclosure without door, Grey

VT104414



600 / 760 / 650	BPM-O-600/7-F	174358	1
600 / 1060 / 950	BPM-O-600/10-F	174359	1
600 / 1260 / 1150	BPM-O-600/12-F	174360	1
600 / 1560 / 1450	BPM-O-600/15-F	174361	1
800 / 1060 / 950	BPM-O-800/10-F	174364	1
800 / 1260 / 1150	BPM-O-800/12-F	174365	1
800 / 1560 / 1450	BPM-O-800/15-F	174366	1
1000 / 1560 / 1450	BPM-O-1000/15-F	174369	1

Width / Height (mm)	Type Designation	Article No.	Units per package
---------------------	------------------	-------------	-------------------

Steel sheet Doors with clip-down handle, Grey, IP54, BPZ-DMS

VT104914



570 / 730	BPZ-DMS-600/7-P	174372	1
570 / 1030	BPZ-DMS-600/10-P	174373	1
570 / 1230	BPZ-DMS-600/12-P	174374	1
570 / 1530	BPZ-DMS-600/15-P	174341	1
770 / 1030	BPZ-DMS-800/10-P	174344	1
770 / 1230	BPZ-DMS-800/12-P	174345	1
770 / 1530	BPZ-DMS-800/15-P	174346	1
600+370 / 1530	BPZ-DMS-1000/15-P	174349	1

Width / Height (mm)	Type Designation	Article No.	Units per package
---------------------	------------------	-------------	-------------------

Transparent Doors (steel sheet) with clip-down handle, Grey, IP54, BPZ-DMT

VT33914



370 / 430	BPZ-DMT-400/4-P	173575	1
370 / 730	BPZ-DMT-400/7-P	173576	1
370 / 1030	BPZ-DMT-400/10-P	173577	1
370 / 1230	BPZ-DMT-400/12-P	173578	1
370 / 1530	BPZ-DMT-400/15-P	173579	1
570 / 430	BPZ-DMT-600/4-P	173580	1
570 / 730	BPZ-DMT-600/7-P	173581	1
570 / 1030	BPZ-DMT-600/10-P	173582	1
570 / 1230	BPZ-DMT-600/12-P	173583	1
570 / 1530	BPZ-DMT-600/15-P	173584	1
770 / 430	BPZ-DMT-800/4-P	173587	1
770 / 730	BPZ-DMT-800/7-P	173588	1
770 / 1030	BPZ-DMT-800/10-P	173589	1
770 / 1230	BPZ-DMT-800/12-P	173590	1
770 / 1530	BPZ-DMT-800/15-P	173591	1
600+370 / 1030	BPZ-DMT-1000/10-P	173594	1
600+370 / 1230	BPZ-DMT-1000/12-P	173595	1
600+370 / 1530	BPZ-DMT-1000/15-P	173596	1
600+570 / 1230	BPZ-DMT-1200/12-P	173599	1
600+570 / 1530	BPZ-DMT-1200/15-P	173600	1

VT32514



Flush-mounted enclosures BP-U, IP30 for Profi+ installation units

wa_vf0413



wa_vf04113



BP-U...

- Sheet-steel enclosure, degree of protection IP30, IK07
- Protection class I
- 240 mm installation depth
- Empty enclosures for accommodating Profi+ installation units
Only for MSW assembling as 2-step and 3-step system
- Available as flat-pack (full range) or fully assembled enclosure (limited range)
- Single-wing (till 800 mm wide) and double-wing door versions
- Hinged handle with rotary lock;
Larger enclosures 3-point rod lock with clip down handle
- Possible to connect multiple boards in parallel
- Flush doors with covered hinges, reversible
- Body white RAL 9016 or grey RAL 7035

Flush-Mounting Installation Distribution Boards - Fully Assembled, IP30, **BP-U-...-C**

- including wall-box, top/bottom panels for the wall-Box , flush-mounting door frame and mounting side wall
- only for MSW mounting
- installation depth 240 mm
- including DIN-rail sets
- including front plates (150 mm) with device cutout (45 mm)

Width / Outside Height (mm) / MU / Rows	Type Designation	Article No.	Units per package
---	------------------	-------------	-------------------

Rotary door handle, Grey

wa_vt04113



600 / 700 / 96 / 4	BP-U-600/7-C	293315	1
600 / 1000 / 144 / 6	BP-U-600/10-C	293316	1
600 / 1200 / 168 / 7	BP-U-600/12-C	293317	1
600 / 1500 / 216 / 9	BP-U-600/15-C	293318	1
800 / 700 / 140 / 4	BP-U-800/7-C	293319	1
800 / 1000 / 210 / 6	BP-U-800/10-C	293320	1
800 / 1200 / 245 / 7	BP-U-800/12-C	293321	1
800 / 1500 / 315 / 9	BP-U-800/15-C	293322	1

wa_vt04213



Rotary door handle, White

600 / 700 / 96 / 4	BP-U-600/7-C-W	105937	1
600 / 1000 / 144 / 6	BP-U-600/10-C-W	105938	1
600 / 1200 / 168 / 7	BP-U-600/12-C-W	105939	1
600 / 1500 / 216 / 9	BP-U-600/15-C-W	105940	1
800 / 700 / 140 / 4	BP-U-800/7-C-W	105941	1
800 / 1000 / 210 / 6	BP-U-800/10-C-W	105942	1
800 / 1200 / 245 / 7	BP-U-800/12-C-W	105943	1
800 / 1500 / 315 / 9	BP-U-800/15-C-W	105944	1

Flush-Mounting Installation Distribution Boards - 2-Step System

Width / Outside Height (mm)	Type Designation	Article No.	Units per package
-----------------------------	------------------	-------------	-------------------

Wall Box - for 2-Step System, BPZ-WB02S

- without top/bottom panel

Depth 1 (180 mm)

wa_vt04513



400 / 400	BPZ-WB02S-400/4/1	293349	1
400 / 700	BPZ-WB02S-400/7/1	293351	1
400 / 1000	BPZ-WB02S-400/10/1	293353	1
400 / 1200	BPZ-WB02S-400/12/1	293355	1
600 / 400	BPZ-WB02S-600/4/1	293357	1
600 / 700	BPZ-WB02S-600/7/1	293359	1
600 / 1000	BPZ-WB02S-600/10/1	293361	1
600 / 1200	BPZ-WB02S-600/12/1	293363	1
600 / 1500	BPZ-WB02S-600/15/1	293365	1
800 / 700	BPZ-WB02S-800/7/1	293371	1
800 / 1000	BPZ-WB02S-800/10/1	293373	1
800 / 1200	BPZ-WB02S-800/12/1	293375	1
800 / 1500	BPZ-WB02S-800/15/1	293377	1
1000 / 1000	BPZ-WB02S-1000/10/1	293383	1
1000 / 1200	BPZ-WB02S-1000/12/1	293385	1
1000 / 1500	BPZ-WB02S-1000/15/1	293387	1
1200 / 1200	BPZ-WB02S-1200/12/1	293393	1
1200 / 1500	BPZ-WB02S-1200/15/1	293395	1

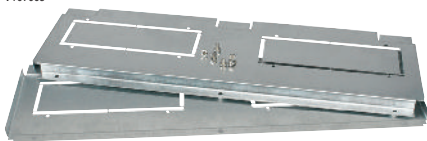
Depth 2 (240 mm)

400 / 400	BPZ-WB02S-400/4/2	293350	1
400 / 700	BPZ-WB02S-400/7/2	293352	1
400 / 1000	BPZ-WB02S-400/10/2	293354	1
400 / 1200	BPZ-WB02S-400/12/2	293356	1
600 / 400	BPZ-WB02S-600/4/2	293358	1
600 / 700	BPZ-WB02S-600/7/2	293360	1
600 / 1000	BPZ-WB02S-600/10/2	293362	1
600 / 1200	BPZ-WB02S-600/12/2	293364	1
600 / 1500	BPZ-WB02S-600/15/2	293366	1
800 / 700	BPZ-WB02S-800/7/2	293372	1
800 / 1000	BPZ-WB02S-800/10/2	293374	1
800 / 1200	BPZ-WB02S-800/12/2	293376	1
800 / 1500	BPZ-WB02S-800/15/2	293378	1
1000 / 1000	BPZ-WB02S-1000/10/2	293384	1
1000 / 1200	BPZ-WB02S-1000/12/2	293386	1
1000 / 1500	BPZ-WB02S-1000/15/2	293388	1
1200 / 1200	BPZ-WB02S-1200/12/2	293394	1
1200 / 1500	BPZ-WB02S-1200/15/2	293396	1

Width (mm) / depth	Type Designation	Article No.	Units per package
--------------------	------------------	-------------	-------------------

Top/Bottom Panel for Wall Box, depth 2 (240 mm), BPZ-WB2STBP

VT07005



400 / 2	BPZ-WB2STBP-400/2	293401	1
600 / 2	BPZ-WB2STBP-600/2	293402	1
800 / 2	BPZ-WB2STBP-800/2	293403	1
1000 / 2	BPZ-WB2STBP-1000/2	293404	1
1200 / 2	BPZ-WB2STBP-1200/2	293405	1

Width / Outside Height / Frontplate Height (mm)	Type Designation	Article No.	Units per package
---	------------------	-------------	-------------------

2-Step Flush-Mounting Door Frame, with Door, BP-U

Rotary door handle, Grey

wa_vt04313



400 / 400 / 350	BP-U-400/4	100977	1
400 / 700 / 650	BP-U-400/7	100978	1
400 / 1000 / 950	BP-U-400/10	100979	1
400 / 1200 / 1150	BP-U-400/12	100980	1
600 / 400 / 350	BP-U-600/4	100981	1
600 / 700 / 650	BP-U-600/7	100982	1
600 / 1000 / 950	BP-U-600/10	100983	1
600 / 1200 / 1150	BP-U-600/12	100984	1
600 / 1500 / 1450	BP-U-600/15	100985	1
800 / 700 / 650	BP-U-800/7	100986	1
800 / 1000 / 950	BP-U-800/10	100987	1
800 / 1200 / 1150	BP-U-800/12	100988	1
800 / 1500 / 1450	BP-U-800/15	100989	1
1000 / 1000 / 950	BP-U-1000/10	100990	1
1000 / 1200 / 1150	BP-U-1000/12	100991	1
1000 / 1500 / 1450	BP-U-1000/15	100992	1
1200 / 1200 / 1150	BP-U-1200/12	100993	1
1200 / 1500 / 1450	BP-U-1200/15	100994	1

wa_vt04413



Frontplate Height (mm)	Type Designation	Article No.	Units per
------------------------	------------------	-------------	-----------

Mounting Side Wall, BPZ-MSW

- application without snap element, fixed mounting
- enable assembling into mounting frame and connection of devices outside of the board
- for assembling of inner equipment into flush-mounted boards
- enables also a comfort assembling of installation devices into surface-mounted and floorstanding boards

wa_vt51513



350	BPZ-MSW-4	293406	1 pair
650	BPZ-MSW-7	293407	1 pair
950	BPZ-MSW-10	293408	1 pair
1150	BPZ-MSW-12	293409	1 pair
1450	BPZ-MSW-15	293410	1 pair
1650	BPZ-MSW-17	293411	1 pair
1950	BPZ-MSW-20	293412	1 pair

Flush-Mounting Installation Distribution Boards - 3-Step System

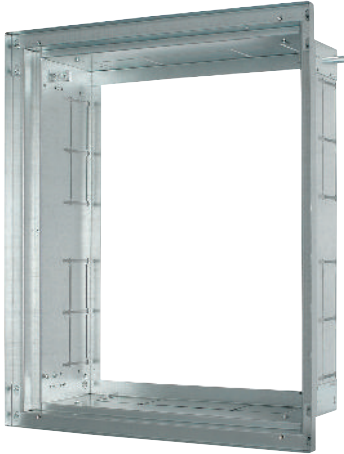
- only MSW mounting

Width / Outside Height (mm)	Type Designation	Article No.	Units per package
-----------------------------	------------------	-------------	-------------------

Wall Box - for 3-Step System, BPZ-WB03S

Depth 1 (180 mm)

wa_v17913



400 / 460	BPZ-WB3S-400/4/1	111097	1
400 / 760	BPZ-WB3S-400/7/1	111098	1
400 / 1060	BPZ-WB3S-400/10/1	111099	1
400 / 1260	BPZ-WB3S-400/12/1	111100	1
600 / 460	BPZ-WB3S-600/4/1	111101	1
600 / 760	BPZ-WB3S-600/7/1	111102	1
600 / 1060	BPZ-WB3S-600/10/1	111103	1
600 / 1260	BPZ-WB3S-600/12/1	111104	1
600 / 1560	BPZ-WB3S-600/15/1	111105	1
600 / 1760	BPZ-WB3S-600/17/1	111106	1
600 / 2060	BPZ-WB3S-600/20/1	111107	1
800 / 760	BPZ-WB3S-800/7/1	111108	1
800 / 1060	BPZ-WB3S-800/10/1	111109	1
800 / 1260	BPZ-WB3S-800/12/1	111110	1
800 / 1560	BPZ-WB3S-800/15/1	111111	1
800 / 1760	BPZ-WB3S-800/17/1	111112	1
800 / 2060	BPZ-WB3S-800/20/1	111113	1
1000 / 1060	BPZ-WB3S-1000/10/1	111114	1
1000 / 1260	BPZ-WB3S-1000/12/1	111115	1
1000 / 1560	BPZ-WB3S-1000/15/1	111116	1
1000 / 1760	BPZ-WB3S-1000/17/1	111117	1
1000 / 2060	BPZ-WB3S-1000/20/1	111118	1
1200 / 1260	BPZ-WB3S-1200/12/1	111119	1
1200 / 1560	BPZ-WB3S-1200/15/1	111120	1
1200 / 1760	BPZ-WB3S-1200/17/1	111121	1
1200 / 2060	BPZ-WB3S-1200/20/1	111122	1

Depth 2 (240 mm)

400 / 460	BPZ-WB3S-400/4/2	111123	1
400 / 760	BPZ-WB3S-400/7/2	111124	1
400 / 1060	BPZ-WB3S-400/10/2	111125	1
400 / 1260	BPZ-WB3S-400/12/2	111126	1
600 / 460	BPZ-WB3S-600/4/2	111127	1
600 / 760	BPZ-WB3S-600/7/2	111128	1
600 / 1060	BPZ-WB3S-600/10/2	111129	1
600 / 1260	BPZ-WB3S-600/12/2	111130	1
600 / 1560	BPZ-WB3S-600/15/2	111131	1
600 / 1760	BPZ-WB3S-600/17/2	111132	1
600 / 2060	BPZ-WB3S-600/20/2	111133	1
800 / 760	BPZ-WB3S-800/7/2	111134	1
800 / 1060	BPZ-WB3S-800/10/2	111135	1
800 / 1260	BPZ-WB3S-800/12/2	111136	1
800 / 1560	BPZ-WB3S-800/15/2	111137	1
800 / 1760	BPZ-WB3S-800/17/2	111138	1
800 / 2060	BPZ-WB3S-800/20/2	111139	1
1000 / 1060	BPZ-WB3S-1000/10/2	111140	1
1000 / 1260	BPZ-WB3S-1000/12/2	111141	1
1000 / 1560	BPZ-WB3S-1000/15/2	111142	1
1000 / 1760	BPZ-WB3S-1000/17/2	111143	1
1000 / 2060	BPZ-WB3S-1000/20/2	111144	1
1200 / 1260	BPZ-WB3S-1200/12/2	111145	1
1200 / 1560	BPZ-WB3S-1200/15/2	111146	1
1200 / 1760	BPZ-WB3S-1200/17/2	111147	1
1200 / 2060	BPZ-WB3S-1200/20/2	111148	1

Depth (mm)	Type Designation	Article No.	Units per package
------------	------------------	-------------	-------------------

Coupling Flange, BPZ-BR/WB3S/

- for mutual connection of wall boxes BPZ-WB3S
- defines respective distance between wall boxes

VT11807



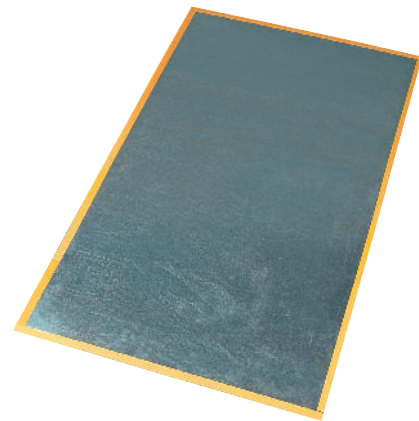
180	BPZ-BR/WB3S/1	111337	1
240	BPZ-BR/WB3S/2	111338	1

Width / Height (mm)	Type Designation	Article No.	Units per package
---------------------	------------------	-------------	-------------------

Rear Walls, BPZ-RP...

Steel Sheet

VT1298



400 / 460	BPZ-RP-400/4	111285	1
400 / 760	BPZ-RP-400/7	111286	1
400 / 1060	BPZ-RP-400/10	111287	1
400 / 1260	BPZ-RP-400/12	111288	1
600 / 460	BPZ-RP-600/4	111289	1
600 / 760	BPZ-RP-600/7	111290	1
600 / 1060	BPZ-RP-600/10	111291	1
600 / 1260	BPZ-RP-600/12	111292	1
600 / 1560	BPZ-RP-600/15	111293	1
600 / 1760	BPZ-RP-600/17	111294	1
600 / 2060	BPZ-RP-600/20	111295	1
800 / 760	BPZ-RP-800/7	111296	1
800 / 1060	BPZ-RP-800/10	111297	1
800 / 1260	BPZ-RP-800/12	111298	1
800 / 1560	BPZ-RP-800/15	111299	1
800 / 1760	BPZ-RP-800/17	111300	1
800 / 2060	BPZ-RP-800/20	111301	1
1000 / 1060	BPZ-RP-1000/10	111302	1
1000 / 1260	BPZ-RP-1000/12	111303	1
1000 / 1560	BPZ-RP-1000/15	111304	1
1000 / 1760	BPZ-RP-1000/17	111305	1
1000 / 2060	BPZ-RP-1000/20	111306	1
1200 / 1260	BPZ-RP-1200/12	111307	1
1200 / 1560	BPZ-RP-1200/15	111308	1
1200 / 1760	BPZ-RP-1200/17	111309	1
1200 / 2060	BPZ-RP-1200/20	111310	1

Plastic

VT1398



400 / 460	BPZ-RPP-400/4	111311	1
400 / 760	BPZ-RPP-400/7	111312	1
400 / 1060	BPZ-RPP-400/10	111313	1
400 / 1260	BPZ-RPP-400/12	111314	1
600 / 460	BPZ-RPP-600/4	111315	1
600 / 760	BPZ-RPP-600/7	111316	1
600 / 1060	BPZ-RPP-600/10	111317	1
600 / 1260	BPZ-RPP-600/12	111318	1
600 / 1560	BPZ-RPP-600/15	111319	1
600 / 1760	BPZ-RPP-600/17	111320	1
600 / 2060	BPZ-RPP-600/20	111321	1
800 / 760	BPZ-RPP-800/7	111322	1
800 / 1060	BPZ-RPP-800/10	111323	1
800 / 1260	BPZ-RPP-800/12	111324	1
800 / 1560	BPZ-RPP-800/15	111325	1
800 / 1760	BPZ-RPP-800/17	111326	1
800 / 2060	BPZ-RPP-800/20	111327	1
1000 / 1060	BPZ-RPP-1000/10	111328	1
1000 / 1260	BPZ-RPP-1000/12	111329	1
1000 / 1560	BPZ-RPP-1000/15	111330	1
1000 / 1760	BPZ-RPP-1000/17	111331	1
1000 / 2060	BPZ-RPP-1000/20	111332	1
1200 / 1260	BPZ-RPP-1200/12	111333	1
1200 / 1560	BPZ-RPP-1200/15	111334	1
1200 / 1760	BPZ-RPP-1200/17	111335	1
1200 / 2060	BPZ-RPP-1200/20	111336	1

Width / Outside Height / Frontplate Height (mm)	Type Designation	Article No.	Units per package
---	------------------	-------------	-------------------

3-Step Flush-Mounting Door Frame, IP30, with Door, BP-U-3S...

Rotary door handle, Grey

wa_vt17613



400 / 460 / 350	BP-U-3S-400/4	111149	1
400 / 760 / 650	BP-U-3S-400/7	111150	1
400 / 1060 / 950	BP-U-3S-400/10	111151	1
400 / 1260 / 1150	BP-U-3S-400/12	111152	1
600 / 460 / 350	BP-U-3S-600/4	111153	1
600 / 760 / 650	BP-U-3S-600/7	111154	1
600 / 1060 / 950	BP-U-3S-600/10	111155	1
600 / 1260 / 1150	BP-U-3S-600/12	111156	1
600 / 1560 / 1450	BP-U-3S-600/15	111157	1
600 / 1760 / 1650	BP-U-3S-600/17	111158	1
600 / 2060 / 1950	BP-U-3S-600/20	111159	1
800 / 760 / 650	BP-U-3S-800/7	111162	1
800 / 1060 / 950	BP-U-3S-800/10	111163	1
800 / 1260 / 1150	BP-U-3S-800/12	111164	1
800 / 1560 / 1450	BP-U-3S-800/15	111165	1
800 / 1760 / 1650	BP-U-3S-800/17	111166	1
800 / 2060 / 1950	BP-U-3S-800/20	111167	1
1000 / 1060 / 950	BP-U-3S-1000/10	111170	1
1000 / 1260 / 1150	BP-U-3S-1000/12	111171	1
1000 / 1560 / 1450	BP-U-3S-1000/15	111172	1
1000 / 1760 / 1650	BP-U-3S-1000/17	111173	1
1000 / 2060 / 1950	BP-U-3S-1000/20	111174	1
1200 / 1260 / 1150	BP-U-3S-1200/12	111177	1
1200 / 1560 / 1450	BP-U-3S-1200/15	111178	1
1200 / 1760 / 1650	BP-U-3S-1200/17	111179	1
1200 / 2060 / 1950	BP-U-3S-1200/20	111180	1

Rotary door handle, White

400 / 460 / 350	BP-U-3S-400/4-W	111183	1
400 / 760 / 650	BP-U-3S-400/7-W	111184	1
400 / 1060 / 950	BP-U-3S-400/10-W	111185	1
400 / 1260 / 1150	BP-U-3S-400/12-W	111186	1
600 / 460 / 350	BP-U-3S-600/4-W	111187	1
600 / 760 / 650	BP-U-3S-600/7-W	111188	1
600 / 1060 / 950	BP-U-3S-600/10-W	111189	1
600 / 1260 / 1150	BP-U-3S-600/12-W	111190	1
600 / 1560 / 1450	BP-U-3S-600/15-W	111191	1
600 / 1760 / 1650	BP-U-3S-600/17-W	111192	1
600 / 2060 / 1950	BP-U-3S-600/20-W	111193	1
800 / 760 / 650	BP-U-3S-800/7-W	111196	1
800 / 1060 / 950	BP-U-3S-800/10-W	111197	1
800 / 1260 / 1150	BP-U-3S-800/12-W	111198	1
800 / 1560 / 1450	BP-U-3S-800/15-W	111199	1
800 / 1760 / 1650	BP-U-3S-800/17-W	111200	1
800 / 2070 / 1950	BP-U-3S-800/20-W	111201	1
1000 / 1060 / 950	BP-U-3S-1000/10-W	111204	1
1000 / 1260 / 1150	BP-U-3S-1000/12-W	111205	1
1000 / 1560 / 1450	BP-U-3S-1000/15-W	111206	1
1000 / 1760 / 1650	BP-U-3S-1000/17-W	111207	1
1000 / 2060 / 1950	BP-U-3S-1000/20-W	111208	1
1200 / 1260 / 1150	BP-U-3S-1200/12-W	111211	1
1200 / 1560 / 1450	BP-U-3S-1200/15-W	111212	1
1200 / 1760 / 1650	BP-U-3S-1200/17-W	111213	1
1200 / 2060 / 1950	BP-U-3S-1200/20-W	111214	1

Width / Outside Height / Frontplate Height (mm)	Type Designation	Article No.	Units per package
---	------------------	-------------	-------------------

Clip-down handle, Grey

wa_v123913



400 / 460 / 350	BP-U-3S-400/4-P	119093	1
400 / 760 / 650	BP-U-3S-400/7-P	119094	1
400 / 1060 / 950	BP-U-3S-400/10-P	119095	1
400 / 1260 / 1150	BP-U-3S-400/12-P	119096	1
600 / 460 / 350	BP-U-3S-600/4-P	119097	1
600 / 760 / 650	BP-U-3S-600/7-P	119098	1
600 / 1060 / 950	BP-U-3S-600/10-P	119099	1
600 / 1260 / 1150	BP-U-3S-600/12-P	119100	1
600 / 1560 / 1450	BP-U-3S-600/15-P	119101	1
600 / 1760 / 1650	BP-U-3S-600/17-P	111160	1
600 / 2060 / 1950	BP-U-3S-600/20-P	111161	1
800 / 760 / 650	BP-U-3S-800/7-P	119102	1
800 / 1060 / 950	BP-U-3S-800/10-P	119103	1
800 / 1260 / 1150	BP-U-3S-800/12-P	119104	1
800 / 1560 / 1450	BP-U-3S-800/15-P	119105	1
800 / 1760 / 1650	BP-U-3S-800/17-P	111168	1
800 / 2070 / 1950	BP-U-3S-800/20-P	111169	1
1000 / 1060 / 950	BP-U-3S-1000/10-P	119106	1
1000 / 1260 / 1150	BP-U-3S-1000/12-P	119107	1
1000 / 1560 / 1450	BP-U-3S-1000/15-P	119108	1
1000 / 1760 / 1650	BP-U-3S-1000/17-P	111175	1
1000 / 2060 / 1950	BP-U-3S-1000/20-P	111176	1
1200 / 1260 / 1150	BP-U-3S-1200/12-P	119109	1
1200 / 1560 / 1450	BP-U-3S-1200/15-P	119110	1
1200 / 1760 / 1650	BP-U-3S-1200/17-P	111181	1
1200 / 2060 / 1950	BP-U-3S-1200/20-P	111182	1

Clip-down handle, White

400 / 460 / 350	BP-U-3S-400/4-P-W	119111	1
400 / 760 / 650	BP-U-3S-400/7-P-W	119112	1
400 / 1060 / 950	BP-U-3S-400/10-P-W	119113	1
400 / 1260 / 1150	BP-U-3S-400/12-P-W	119114	1
600 / 460 / 350	BP-U-3S-600/4-P-W	119115	1
600 / 760 / 650	BP-U-3S-600/7-P-W	119116	1
600 / 1060 / 950	BP-U-3S-600/10-P-W	119117	1
600 / 1260 / 1150	BP-U-3S-600/12-P-W	119118	1
600 / 1560 / 1450	BP-U-3S-600/15-P-W	119119	1
600 / 1760 / 1650	BP-U-3S-600/17-P-W	111194	1
600 / 2060 / 1950	BP-U-3S-600/20-P-W	111195	1
800 / 760 / 650	BP-U-3S-800/7-P-W	119120	1
800 / 1060 / 950	BP-U-3S-800/10-P-W	119121	1
800 / 1260 / 1150	BP-U-3S-800/12-P-W	119122	1
800 / 1560 / 1450	BP-U-3S-800/15-P-W	119123	1
800 / 1760 / 1650	BP-U-3S-800/17-P-W	111202	1
800 / 2070 / 1950	BP-U-3S-800/20-P-W	111203	1
1000 / 1060 / 950	BP-U-3S-1000/10-P-W	119124	1
1000 / 1260 / 1150	BP-U-3S-1000/12-P-W	119125	1
1000 / 1560 / 1450	BP-U-3S-1000/15-P-W	119126	1
1000 / 1760 / 1650	BP-U-3S-1000/17-P-W	111209	1
1000 / 2060 / 1950	BP-U-3S-1000/20-P-W	111210	1
1200 / 1260 / 1150	BP-U-3S-1200/12-P-W	119127	1
1200 / 1560 / 1450	BP-U-3S-1200/15-P-W	119128	1
1200 / 1760 / 1650	BP-U-3S-1200/17-P-W	111215	1
1200 / 2060 / 1950	BP-U-3S-1200/20-P-W	111216	1

Width / Outside Height / Frontplate Height (mm)	Type Designation	Article No.	Units per package
---	------------------	-------------	-------------------

3-Step Flush-Mounting Door Frame, IP30, with Door, fireproof, BP-U-3S...-EW

Rotary door handle, Grey

wa_vt23913



400 / 460 / 350	BP-U-3S-400/4-EW	116570	1
400 / 760 / 650	BP-U-3S-400/7-EW	116571	1
400 / 1060 / 950	BP-U-3S-400/10-EW	116572	1
400 / 1260 / 1150	BP-U-3S-400/12-EW	116573	1
600 / 460 / 350	BP-U-3S-600/4-EW	116574	1
600 / 760 / 650	BP-U-3S-600/7-EW	116575	1
600 / 1060 / 950	BP-U-3S-600/10-EW	116576	1
600 / 1260 / 1150	BP-U-3S-600/12-EW	116577	1
600 / 1560 / 1450	BP-U-3S-600/15-EW	116578	1
600 / 1760 / 1650	BP-U-3S-600/17-EW	116579	1
600 / 2060 / 1950	BP-U-3S-600/20-EW	116580	1
800 / 760 / 650	BP-U-3S-800/7-EW	116581	1
800 / 1060 / 950	BP-U-3S-800/10-EW	116582	1
800 / 1260 / 1150	BP-U-3S-800/12-EW	116583	1
800 / 1560 / 1450	BP-U-3S-800/15-EW	116584	1
800 / 1760 / 1650	BP-U-3S-800/17-EW	116585	1
800 / 2070 / 1950	BP-U-3S-800/20-EW	116586	1
1000 / 1060 / 950	BP-U-3S-1000/10-EW	116587	1
1000 / 1260 / 1150	BP-U-3S-1000/12-EW	116588	1
1000 / 1560 / 1450	BP-U-3S-1000/15-EW	116589	1
1000 / 1760 / 1650	BP-U-3S-1000/17-EW	116590	1
1000 / 2060 / 1950	BP-U-3S-1000/20-EW	116591	1

Rotary door handle, White

400 / 460 / 350	BP-U-3S-400/4-EW-W	116592	1
400 / 760 / 650	BP-U-3S-400/7-EW-W	116593	1
400 / 1060 / 950	BP-U-3S-400/10-EW-W	116594	1
400 / 1260 / 1150	BP-U-3S-400/12-EW-W	116595	1
600 / 460 / 350	BP-U-3S-600/4-EW-W	116596	1
600 / 760 / 650	BP-U-3S-600/7-EW-W	116597	1
600 / 1060 / 950	BP-U-3S-600/10-EW-W	116598	1
600 / 1260 / 1150	BP-U-3S-600/12-EW-W	116599	1
600 / 1560 / 1450	BP-U-3S-600/15-EW-W	116600	1
600 / 1760 / 1650	BP-U-3S-600/17-EW-W	116601	1
600 / 2060 / 1950	BP-U-3S-600/20-EW-W	116602	1
800 / 760 / 650	BP-U-3S-800/7-EW-W	116603	1
800 / 1060 / 950	BP-U-3S-800/10-EW-W	116604	1
800 / 1260 / 1150	BP-U-3S-800/12-EW-W	116605	1
800 / 1560 / 1450	BP-U-3S-800/15-EW-W	116606	1
800 / 1760 / 1650	BP-U-3S-800/17-EW-W	116607	1
800 / 2070 / 1950	BP-U-3S-800/20-EW-W	116608	1
1000 / 1060 / 950	BP-U-3S-1000/10-EW-W	116609	1
1000 / 1260 / 1150	BP-U-3S-1000/12-EW-W	116610	1
1000 / 1560 / 1450	BP-U-3S-1000/15-EW-W	116611	1
1000 / 1760 / 1650	BP-U-3S-1000/17-EW-W	116612	1
1000 / 2060 / 1950	BP-U-3S-1000/20-EW-W	116613	1

Width / Outside Height / Frontplate Height (mm)	Type Designation	Article No.	Units per package
---	------------------	-------------	-------------------

3-Step Flush-Mounting Door Frame for Outdoor Installation, IP43, with Door, BPA-U-3S...

- Attention: Inserting the Flush-Mounting Door Frame BPA-U-3S (IP43) or BPM-U-3S (IP54) in the Wall Box BPZ-WB3S, the facility builder has to ensure waterproofing against the wall covering substrate.

Dual-bit lock, Grey

wa_v17813



400 / 460 / 350	BPA-U-3S-400/4	111217	1
400 / 760 / 650	BPA-U-3S-400/7	111218	1
400 / 1060 / 950	BPA-U-3S-400/10	111219	1
400 / 1260 / 1150	BPA-U-3S-400/12	111220	1
600 / 460 / 350	BPA-U-3S-600/4	111221	1
600 / 760 / 650	BPA-U-3S-600/7	111222	1
600 / 1060 / 950	BPA-U-3S-600/10	111223	1
600 / 1260 / 1150	BPA-U-3S-600/12	111224	1
600 / 1560 / 1450	BPA-U-3S-600/15	111225	1
600 / 1760 / 1650	BPA-U-3S-600/17	111226	1
600 / 2060 / 1950	BPA-U-3S-600/20	111227	1
800 / 760 / 650	BPA-U-3S-800/7	111230	1
800 / 1060 / 950	BPA-U-3S-800/10	111231	1
800 / 1260 / 1150	BPA-U-3S-800/12	111232	1
800 / 1560 / 1450	BPA-U-3S-800/15	111233	1
800 / 1760 / 1650	BPA-U-3S-800/17	111234	1
800 / 2070 / 1950	BPA-U-3S-800/20	111235	1
1000 / 1060 / 950	BPA-U-3S-1000/10	111238	1
1000 / 1260 / 1150	BPA-U-3S-1000/12	111239	1
1000 / 1560 / 1450	BPA-U-3S-1000/15	111240	1
1000 / 1760 / 1650	BPA-U-3S-1000/17	111241	1
1000 / 2060 / 1950	BPA-U-3S-1000/20	111242	1
1200 / 1260 / 1150	BPA-U-3S-1200/12	111245	1
1200 / 1560 / 1450	BPA-U-3S-1200/15	111246	1
1200 / 1760 / 1650	BPA-U-3S-1200/17	111247	1
1200 / 2060 / 1950	BPA-U-3S-1200/20	111248	1

Clip-down handle, Grey

400 / 460 / 350	BPA-U-3S-400/4-P	119129	1
400 / 760 / 650	BPA-U-3S-400/7-P	119130	1
400 / 1060 / 950	BPA-U-3S-400/10-P	119131	1
400 / 1260 / 1150	BPA-U-3S-400/12-P	119132	1
600 / 460 / 350	BPA-U-3S-600/4-P	119133	1
600 / 760 / 650	BPA-U-3S-600/7-P	119134	1
600 / 1060 / 950	BPA-U-3S-600/10-P	119135	1
600 / 1260 / 1150	BPA-U-3S-600/12-P	119136	1
600 / 1560 / 1450	BPA-U-3S-600/15-P	119137	1
600 / 1760 / 1650	BPA-U-3S-600/17-P	111228	1
600 / 2060 / 1950	BPA-U-3S-600/20-P	111229	1
800 / 760 / 650	BPA-U-3S-800/7-P	119138	1
800 / 1060 / 950	BPA-U-3S-800/10-P	119139	1
800 / 1260 / 1150	BPA-U-3S-800/12-P	119140	1
800 / 1560 / 1450	BPA-U-3S-800/15-P	119141	1
800 / 1760 / 1650	BPA-U-3S-800/17-P	111236	1
800 / 2070 / 1950	BPA-U-3S-800/20-P	111237	1
1000 / 1060 / 950	BPA-U-3S-1000/10-P	119142	1
1000 / 1260 / 1150	BPA-U-3S-1000/12-P	119143	1
1000 / 1560 / 1450	BPA-U-3S-1000/15-P	119144	1
1000 / 1760 / 1650	BPA-U-3S-1000/17-P	111243	1
1000 / 2060 / 1950	BPA-U-3S-1000/20-P	111244	1
1200 / 1260 / 1150	BPA-U-3S-1200/12-P	119145	1
1200 / 1560 / 1450	BPA-U-3S-1200/15-P	119146	1
1200 / 1760 / 1650	BPA-U-3S-1200/17-P	111249	1
1200 / 2060 / 1950	BPA-U-3S-1200/20-P	111250	1

Width / Outside Height / Frontplate Height (mm)	Type Designation	Article No.	Units per package
---	---------------------	-------------	----------------------

3-Step Flush-Mounting Moisture-proof Door Frame, IP54, with Door, BPM-U-3S...

- Attention: Inserting the Flush-Mounting Door Frame BPA-U-3S (IP43) or BPM-U-3S (IP54) in the Wall Box BPZ-WB3S, the facility builder has to ensure waterproofing against the wall covering substrate.

Dual-bit lock, Grey

wa_v17713



400 / 460 / 350	BPM-U-3S-400/4	111251	1
400 / 760 / 650	BPM-U-3S-400/7	111252	1
400 / 1060 / 950	BPM-U-3S-400/10	111253	1
400 / 1260 / 1150	BPM-U-3S-400/12	111254	1
600 / 460 / 350	BPM-U-3S-600/4	111255	1
600 / 760 / 650	BPM-U-3S-600/7	111256	1
600 / 1060 / 950	BPM-U-3S-600/10	111257	1
600 / 1260 / 1150	BPM-U-3S-600/12	111258	1
600 / 1560 / 1450	BPM-U-3S-600/15	111259	1
600 / 1760 / 1650	BPM-U-3S-600/17	111260	1
600 / 2060 / 1950	BPM-U-3S-600/20	111261	1
800 / 760 / 650	BPM-U-3S-800/7	111264	1
800 / 1060 / 950	BPM-U-3S-800/10	111265	1
800 / 1260 / 1150	BPM-U-3S-800/12	111266	1
800 / 1560 / 1450	BPM-U-3S-800/15	111267	1
800 / 1760 / 1650	BPM-U-3S-800/17	111268	1
800 / 2070 / 1950	BPM-U-3S-800/20	111269	1
1000 / 1060 / 950	BPM-U-3S-1000/10	111272	1
1000 / 1260 / 1150	BPM-U-3S-1000/12	111273	1
1000 / 1560 / 1450	BPM-U-3S-1000/15	111274	1
1000 / 1760 / 1650	BPM-U-3S-1000/17	111275	1
1000 / 2060 / 1950	BPM-U-3S-1000/20	111276	1
1200 / 1260 / 1150	BPM-U-3S-1200/12	111279	1
1200 / 1560 / 1450	BPM-U-3S-1200/15	111280	1
1200 / 1760 / 1650	BPM-U-3S-1200/17	111281	1
1200 / 2060 / 1950	BPM-U-3S-1200/20	111282	1

Clip-down handle, Grey

400 / 460 / 350	BPM-U-3S-400/4-P	119147	1
400 / 760 / 650	BPM-U-3S-400/7-P	119148	1
400 / 1060 / 950	BPM-U-3S-400/10-P	119149	1
400 / 1260 / 1150	BPM-U-3S-400/12-P	119150	1
600 / 460 / 350	BPM-U-3S-600/4-P	119151	1
600 / 760 / 650	BPM-U-3S-600/7-P	119152	1
600 / 1060 / 950	BPM-U-3S-600/10-P	119153	1
600 / 1260 / 1150	BPM-U-3S-600/12-P	119154	1
600 / 1560 / 1450	BPM-U-3S-600/15-P	119155	1
600 / 1760 / 1650	BPM-U-3S-600/17-P	111262	1
600 / 2060 / 1950	BPM-U-3S-600/20-P	111263	1
800 / 760 / 650	BPM-U-3S-800/7-P	119156	1
800 / 1060 / 950	BPM-U-3S-800/10-P	119157	1
800 / 1260 / 1150	BPM-U-3S-800/12-P	119158	1
800 / 1560 / 1450	BPM-U-3S-800/15-P	119159	1
800 / 1760 / 1650	BPM-U-3S-800/17-P	111270	1
800 / 2070 / 1950	BPM-U-3S-800/20-P	111271	1
1000 / 1060 / 950	BPM-U-3S-1000/10-P	119160	1
1000 / 1260 / 1150	BPM-U-3S-1000/12-P	119161	1
1000 / 1560 / 1450	BPM-U-3S-1000/15-P	119162	1
1000 / 1760 / 1650	BPM-U-3S-1000/17-P	111277	1
1000 / 2060 / 1950	BPM-U-3S-1000/20-P	111278	1
1200 / 1260 / 1150	BPM-U-3S-1200/12-P	119163	1
1200 / 1560 / 1450	BPM-U-3S-1200/15-P	119164	1
1200 / 1760 / 1650	BPM-U-3S-1200/17-P	111283	1
1200 / 2060 / 1950	BPM-U-3S-1200/20-P	111284	1

Width / Outside Height / Frontplate Height (mm)	Type Designation	Article No.	Units per package
---	------------------	-------------	-------------------

Dual-bit lock, White

wa_vt17713



400 / 460 / 350	BPM-U-3S-400/4-W	144237	1
400 / 760 / 650	BPM-U-3S-400/7-W	144238	1
400 / 1060 / 950	BPM-U-3S-400/10-W	144239	1
400 / 1260 / 1150	BPM-U-3S-400/12-W	144240	1
600 / 460 / 350	BPM-U-3S-600/4-W	144241	1
600 / 760 / 650	BPM-U-3S-600/7-W	144242	1
600 / 1060 / 950	BPM-U-3S-600/10-W	144243	1
600 / 1260 / 1150	BPM-U-3S-600/12-W	144244	1
600 / 1560 / 1450	BPM-U-3S-600/15-W	144245	1
600 / 1760 / 1650	BPM-U-3S-600/17-W	144246	1
600 / 2060 / 1950	BPM-U-3S-600/20-W	144247	1
800 / 760 / 650	BPM-U-3S-800/7-W	144248	1
800 / 1060 / 950	BPM-U-3S-800/10-W	144249	1
800 / 1260 / 1150	BPM-U-3S-800/12-W	144250	1
800 / 1560 / 1450	BPM-U-3S-800/15-W	144251	1
800 / 1760 / 1650	BPM-U-3S-800/17-W	144252	1
800 / 2070 / 1950	BPM-U-3S-800/20-W	144253	1
1000 / 1060 / 950	BPM-U-3S-1000/10-W	144254	1
1000 / 1260 / 1150	BPM-U-3S-1000/12-W	144255	1
1000 / 1560 / 1450	BPM-U-3S-1000/15-W	144256	1
1000 / 1760 / 1650	BPM-U-3S-1000/17-W	144257	1
1000 / 2060 / 1950	BPM-U-3S-1000/20-W	144258	1
1200 / 1260 / 1150	BPM-U-3S-1200/12-W	144259	1
1200 / 1560 / 1450	BPM-U-3S-1200/15-W	144260	1
1200 / 1760 / 1650	BPM-U-3S-1200/17-W	144261	1
1200 / 2060 / 1950	BPM-U-3S-1200/20-W	144262	1

Frontplate Height (mm)	Type Designation	Article No.	Units per package
------------------------	------------------	-------------	-------------------

Mounting Side Wall for 3-Step System, BPZ-MSW

- incl. pre-mounted snap-on element

wa_vt18013



350	BPZ-MSW-4/SNAP	112284	1 pair
650	BPZ-MSW-7/SNAP	112285	1 pair
950	BPZ-MSW-10/SNAP	112286	1 pair
1150	BPZ-MSW-12/SNAP	112287	1 pair
1450	BPZ-MSW-15/SNAP	112288	1 pair
1650	BPZ-MSW-17/SNAP	112289	1 pair
1950	BPZ-MSW-20/SNAP	112300	1 pair

Frontplate Height (mm)	Type Designation	Article No.	Units per package
------------------------	------------------	-------------	-------------------

Segaration frame, BPZ-USF

- for flush-mounting boards
- only for width of 1000 and 1200 mm
- for MSW application
- angle accessories are included

Grey

wa_vt61813



10	BPZ-USF-10	119302	1
12	BPZ-USF-12	119303	1
15	BPZ-USF-15	119304	1
17	BPZ-USF-17	119305	1
20	BPZ-USF-20	119306	1

White

10	BPZ-USF-10-W	131568	1
12	BPZ-USF-12-W	131569	1
15	BPZ-USF-15-W	131570	1
17	BPZ-USF-17-W	131571	1
20	BPZ-USF-20-W	131572	1

Floor-standing enclosures BP-F, IP30 for Profi+ installation units

wa_v03613



BP-F...

- Sheet-steel welded enclosure, degree of protection IP30, IK07
- Protection class I
- 250/300/400 mm enclosure depth
- Empty enclosures for accommodating Profi+ installation units
Special types for assembling on the base frame or MSW assembling
- Single-wing (till 800 mm wide) and double-wing door versions
- Hinged handle with multiple rotary lock or 3-point rod lock with clip down handle
- Doors with covered hinges, reversible
- Suitable for wide range of (pass-through membrane) flanges
- Body white RAL 9016 or grey RAL 7035

Floor-Standing Distribution Board with Rotary Door Handle, IP30, BP-F-...

- depth 300 mm
- including pass-through flange on top and bottom
- including metal door with rotary door handle
- to assemble with MSW, 2 pair Corner Tower Sets BPZ-CTS-S and 1 piece Snap Element BPZ-SNAP-MSW-CTS have to be ordered separately
- to assemble on the main frame 2 pieces Frontplate Support BPZ-FPS have to be ordered separately
- interior fitting system possible via MSW or Towers

Width / Outside Height / Frontplate Height (mm)	Type Designation	Article No.	Units per package
---	------------------	-------------	-------------------

Rotary door handle, Grey

wa_vt03513



400 / 1760 / 1650	BP-F-400/17/3	102055	1
400 / 2060 / 1950	BP-F-400/20/3	102056	1
600 / 1760 / 1650	BP-F-600/17/3	102057	1
600 / 2060 / 1950	BP-F-600/20/3	102058	1
800 / 1760 / 1650	BP-F-800/17/3	102059	1
800 / 2060 / 1950	BP-F-800/20/3	102320	1
1000 / 1760 / 1650	BP-F-1000/17/3	102321	1
1000 / 2060 / 1950	BP-F-1000/20/3	102322	1
1200 / 1760 / 1650	BP-F-1200/17/3	102323	1
1200 / 2060 / 1950	BP-F-1200/20/3	102324	1

Rotary door handle, White

400 / 1760 / 1650	BP-F-400/17/3-W	102335	1
400 / 2060 / 1950	BP-F-400/20/3-W	102336	1
600 / 1760 / 1650	BP-F-600/17/3-W	102337	1
600 / 2060 / 1950	BP-F-600/20/3-W	102338	1
800 / 1760 / 1650	BP-F-800/17/3-W	102339	1
800 / 2060 / 1950	BP-F-800/20/3-W	102340	1
1000 / 1760 / 1650	BP-F-1000/17/3-W	102341	1
1000 / 2060 / 1950	BP-F-1000/20/3-W	102342	1
1200 / 1760 / 1650	BP-F-1200/17/3-W	102343	1
1200 / 2060 / 1950	BP-F-1200/20/3-W	102344	1

Floor-Standing Distribution Board with Clip-Down Handle, IP30, BP-F...-P

- depth 300 mm
- including pass-through flange on top and bottom
- including metal door with clip-down handle
- to assemble with MSW, 2 pair Corner Tower Sets BPZ-CTS-S and 1 piece Snap Element BPZ-SNAP-MSW-CTS have to be ordered separately
- to assemble on the main frame 2 pieces Frontplate Support BPZ-FPS have to be ordered separately
- interior fitting system possible via MSW or Towers

Width / Outside Height / Frontplate Height (mm)	Type Designation	Article No.	Units per package
---	------------------	-------------	-------------------

Clip-down handle, Grey

wa_vt03613



400 / 1760 / 1650	BP-F-400/17/3-P	102355	1
400 / 2060 / 1950	BP-F-400/20/3-P	102356	1
600 / 1760 / 1650	BP-F-600/17/3-P	102357	1
600 / 2060 / 1950	BP-F-600/20/3-P	102358	1
800 / 1760 / 1650	BP-F-800/17/3-P	102359	1
800 / 2060 / 1950	BP-F-800/20/3-P	102360	1
1000 / 1760 / 1650	BP-F-1000/17/3-P	102361	1
1000 / 2060 / 1950	BP-F-1000/20/3-P	102362	1
1200 / 1760 / 1650	BP-F-1200/17/3-P	102363	1
1200 / 2060 / 1950	BP-F-1200/20/3-P	102364	1

Vorbereitet für F3A-Flansche oben and unten

400 / 1760 / 1650	BP-F-400/17/3-P-F3A	187840	1
400 / 2060 / 1950	BP-F-400/20/3-P-F3A	187841	1
600 / 1760 / 1650	BP-F-600/17/3-P-F3A	187842	1
600 / 2060 / 1950	BP-F-600/20/3-P-F3A	187843	1
800 / 1760 / 1650	BP-F-800/17/3-P-F3A	187844	1
800 / 2060 / 1950	BP-F-800/20/3-P-F3A	187845	1
1000 / 1760 / 1650	BP-F-1000/17/3-P-F3A	187846	1
1000 / 2060 / 1950	BP-F-1000/20/3-P-F3A	187847	1
1200 / 1760 / 1650	BP-F-1200/17/3-P-F3A	187848	1
1200 / 2060 / 1950	BP-F-1200/20/3-P-F3A	187849	1

Clip-down handle, White

400 / 1760 / 1650	BP-F-400/17/3-P-W	102375	1
400 / 2060 / 1950	BP-F-400/20/3-P-W	102376	1
600 / 1760 / 1650	BP-F-600/17/3-P-W	102377	1
600 / 2060 / 1950	BP-F-600/20/3-P-W	102378	1
800 / 1760 / 1650	BP-F-800/17/3-P-W	102379	1
800 / 2060 / 1950	BP-F-800/20/3-P-W	102380	1
1000 / 1760 / 1650	BP-F-1000/17/3-P-W	102381	1
1000 / 2060 / 1950	BP-F-1000/20/3-P-W	102382	1
1200 / 1760 / 1650	BP-F-1200/17/3-P-W	102383	1
1200 / 2060 / 1950	BP-F-1200/20/3-P-W	102384	1

Floor-Standing Distribution Board with Clip-Down Handle, tightened door construction, IP30, **BP-F-T-...-P**

- depth 300 mm
- including pass-through flange on top and bottom
- including metal door with clip-down handle
- tightened door construction
- to assemble with MSW, 2 pair Corner Tower Sets BPZ-CTS-S and 1 piece Snap Element BPZ-SNAP-MSW-CTS have to be ordered separately
- to assemble on the main frame 2 pieces Frontplate Support BPZ-FPS have to be ordered separately
- interior fitting system possible via MSW or Towers

Width / Outside Height / Frontplate Height (mm)	Type Designation	Article No.	Units per package
---	------------------	-------------	-------------------

Clip-down handle, Grey


wa_v03613



400 / 1760 / 1650	BP-F-T-400/17/3-P	142284	1
400 / 2060 / 1950	BP-F-T-400/20/3-P	142285	1
600 / 1760 / 1650	BP-F-T-600/17/3-P	142286	1
600 / 2060 / 1950	BP-F-T-600/20/3-P	142287	1
800 / 1760 / 1650	BP-F-T-800/17/3-P	142288	1
800 / 2060 / 1950	BP-F-T-800/20/3-P	142289	1
1000 / 1760 / 1650	BP-F-T-1000/17/3-P	142430	1
1000 / 2060 / 1950	BP-F-T-1000/20/3-P	142431	1
1200 / 1760 / 1650	BP-F-T-1200/17/3-P	142432	1
1200 / 2060 / 1950	BP-F-T-1200/20/3-P	142433	1


Floor-Standing Distribution Board, flexible assembling, depth 250 mm, IP30, BP-F-...2,5-F

- depth 250 mm
- empty housing without buildup, flange plates, door or front plate support
- installation frame (rear side) without mounting holm
- only MSW application (no Corner Tower BPZ-CTS-... necessary)

	Width / Outside Height / Frontplate Height (mm)	Type Designation	Article No.	Units per package
Grey				
<small>wa_v03713</small>				
	400 / 2060 / 1950	BP-F-400/20/2,5-F	120754	1
	600 / 2060 / 1950	BP-F-600/20/2,5-F	120755	1
	800 / 2060 / 1950	BP-F-800/20/2,5-F	120756	1
	1000 / 2060 / 1950	BP-F-1000/20/2,5-F	120757	1
	1200 / 2060 / 1950	BP-F-1200/20/2,5-F	120758	1

Floor-Standing Distribution Board, flexible assembling, depth 300 mm, IP30, BP-F-...3-F

- depth 300 mm
- no body
- no flange
- no door
- no front plate support BPZ-FPS
- to assemble with MSW, 2 pair Corner Tower Sets BPZ-CTS-S and 1 piece Snap Element BPZ-SNAP-MSW-CTS have to be ordered separately
- to assemble on the main frame 2 pieces Frontplate Support BPZ-FPS have to be ordered separately
- interior fitting system possible via MSW or Towers

	Width / Outside Height / Frontplate Height (mm)	Type Designation	Article No.	Units per package
Grey				
<small>wa_v03713</small>				
	400 / 1760 / 1650	BP-F-400/17/3-F	102395	1
	400 / 2060 / 1950	BP-F-400/20/3-F	102396	1
	600 / 1760 / 1650	BP-F-600/17/3-F	102397	1
	600 / 2060 / 1950	BP-F-600/20/3-F	102398	1
	800 / 1760 / 1650	BP-F-800/17/3-F	102399	1
	800 / 2060 / 1950	BP-F-800/20/3-F	102400	1
	1000 / 1760 / 1650	BP-F-1000/17/3-F	120691	1
	1000 / 2060 / 1950	BP-F-1000/20/3-F	120692	1
	1200 / 1760 / 1650	BP-F-1200/17/3-F	120693	1
	1200 / 2060 / 1950	BP-F-1200/20/3-F	120694	1

Width / Outside Height / Frontplate Height (mm)	Type Designation	Article No.	Units per package
White			
400 / 1760 / 1650	BP-F-400/17/3-F-W	102407	1
400 / 2060 / 1950	BP-F-400/20/3-F-W	102408	1
600 / 1760 / 1650	BP-F-600/17/3-F-W	102409	1
600 / 2060 / 1950	BP-F-600/20/3-F-W	102410	1
800 / 1760 / 1650	BP-F-800/17/3-F-W	102411	1
800 / 2060 / 1950	BP-F-800/20/3-F-W	102412	1
1000 / 1760 / 1650	BP-F-1000/17/3-F-W	120695	1
1000 / 2060 / 1950	BP-F-1000/20/3-F-W	120696	1
1200 / 1760 / 1650	BP-F-1200/17/3-F-W	120697	1
1200 / 2060 / 1950	BP-F-1200/20/3-F-W	120698	1

Floor-Standing Distribution Board, flexible assembling, depth 400 mm, IP30, BP-F-...4-F

- depth 400 mm
- empty housing without buildup, flange plates, door or front plate support
- installation frame (rear side) without mounting holm
- only MSW application (no Corner Tower BPZ-CTS-... necessary)

Width / Outside Height / Frontplate Height (mm)	Type Designation	Article No.	Units per package
Grey			
400 / 2060 / 1950	BP-F-400/20/4-F	120759	1
600 / 2060 / 1950	BP-F-600/20/4-F	120760	1
800 / 2060 / 1950	BP-F-800/20/4-F	120761	1
1000 / 2060 / 1950	BP-F-1000/20/4-F	120762	1
1200 / 2060 / 1950	BP-F-1200/20/4-F	120763	1

wa_vt03713



Floor-Standing Distribution Board with Rotary Door Handle, IP30, BP-F-...

- depth 250 mm
- including pass-through flange on top and bottom
- including metal door with rotary door handle
- installation frame (rear side) without mounting holm
- only MSW application (no Corner Tower BPZ-CTS-... necessary)

Width / Outside Height / Frontplate Height (mm)	Type Designation	Article No.	Units per package
---	------------------	-------------	-------------------

Rotary door handle, Grey

wa_vt03513



400 / 2060 / 1950	BP-F-400/20/2,5	119187	1
600 / 2060 / 1950	BP-F-600/20/2,5	119188	1
800 / 2060 / 1950	BP-F-800/20/2,5	119189	1
1000 / 2060 / 1950	BP-F-1000/20/2,5	119190	1
1200 / 2060 / 1950	BP-F-1200/20/2,5	119191	1

Floor-Standing Distribution Board with Clip-Down Handle, IP30, BP-F-...-P

- depth 400 mm
- including pass-through flange on top and bottom
- including metal door with clip-down handle
- installation frame (rear side) without mounting holm
- only MSW application (no Corner Tower BPZ-CTS-... necessary)

Width / Outside Height / Frontplate Height (mm)	Type Designation	Article No.	Units per package
---	------------------	-------------	-------------------

Clip-down handle, Grey

wa_vt03613



400 / 2060 / 1950	BP-F-400/20/4-P	119192	1
600 / 2060 / 1950	BP-F-600/20/4-P	119193	1
800 / 2060 / 1950	BP-F-800/20/4-P	119194	1
1000 / 2060 / 1950	BP-F-1000/20/4-P	119195	1
1200 / 2060 / 1950	BP-F-1200/20/4-P	119196	1

Width / Height (mm)	Type Designation	Article No.	Units per package
---------------------	---------------------	-------------	----------------------

Sheet Steel Doors, BPZ-DS-...

Rotary door handle, Grey

wa_vt51313



400 / 1696,5	BPZ-DS-400/17	102419	1
400 / 1996,5	BPZ-DS-400/20	102420	1
600 / 1696,5	BPZ-DS-600/17	102421	1
600 / 1996,5	BPZ-DS-600/20	102422	1
800 / 1696,5	BPZ-DS-800/17	102423	1
800 / 1996,5	BPZ-DS-800/20	102424	1
600+400L / 1696,5	BPZ-DS-600/17	102421	1
	BPZ-DS-400/17-L	106374	1
600+400L / 1996,5	BPZ-DS-600/20	102422	1
	BPZ-DS-400/20-L	106375	1
600+600L / 1696,5	BPZ-DS-600/17	102421	1
	BPZ-DS-600/17-L	106376	1
600+600L / 1996,5	BPZ-DS-600/20	102422	1
	BPZ-DS-600/20-L	106377	1

Rotary door handle, White

400 / 1696,5	BPZ-DS-400/17-W	102443	1
400 / 1996,5	BPZ-DS-400/20-W	102444	1
600 / 1696,5	BPZ-DS-600/17-W	102445	1
600 / 1996,5	BPZ-DS-600/20-W	102446	1
800 / 1696,5	BPZ-DS-800/17-W	102447	1
800 / 1996,5	BPZ-DS-800/20-W	102448	1
600+400L / 1696,5	BPZ-DS-600/17-W	102445	1
	BPZ-DS-400/17-L-W	106378	1
600+400L / 1996,5	BPZ-DS-600/20-W	102446	1
	BPZ-DS-400/20-L-W	106379	1
600+600L / 1696,5	BPZ-DS-600/17-W	102445	1
	BPZ-DS-600/17-L-W	106420	1
600+600L / 1996,5	BPZ-DS-600/20-W	102446	1
	BPZ-DS-600/20-L-W	106421	1

Sheet Steel Doors, BPZ-DS-...-P

Clip-down handle, Grey

wa_vt03913



400 / 1696,5	BPZ-DS-400/17-P	102425	1
400 / 1996,5	BPZ-DS-400/20-P	102426	1
600 / 1696,5	BPZ-DS-600/17-P	102427	1
600 / 1996,5	BPZ-DS-600/20-P	102428	1
800 / 1696,5	BPZ-DS-800/17-P	102429	1
800 / 1996,5	BPZ-DS-800/20-P	102430	1
600+400L / 1696,5	BPZ-DS-600/17-P	102427	1
	BPZ-DS-400/17-L	106374	1
600+400L / 1996,5	BPZ-DS-600/20-P	102428	1
	BPZ-DS-400/20-L	106375	1
600+600L / 1696,5	BPZ-DS-600/17-P	102427	1
	BPZ-DS-600/17-L	106376	1
600+600L / 1996,5	BPZ-DS-600/20-P	102428	1
	BPZ-DS-600/20-L	106377	1

Clip-down handle, White

400 / 1696,5	BPZ-DS-400/17-P-W	102449	1
400 / 1996,5	BPZ-DS-400/20-P-W	102450	1
600 / 1696,5	BPZ-DS-600/17-P-W	102451	1
600 / 1996,5	BPZ-DS-600/20-P-W	102452	1
800 / 1696,5	BPZ-DS-800/17-P-W	102453	1
800 / 1996,5	BPZ-DS-800/20-P-W	102454	1
600+400L / 1696,5	BPZ-DS-600/17-P-W	102451	1
	BPZ-DS-400/17-L-W	106378	1
600+400L / 1996,5	BPZ-DS-600/20-P-W	102452	1
	BPZ-DS-400/20-L-W	106379	1
600+600L / 1696,5	BPZ-DS-600/17-P-W	102451	1
	BPZ-DS-600/17-L-W	106420	1
600+600L / 1996,5	BPZ-DS-600/20-P-W	102452	1
	BPZ-DS-600/20-L-W	106421	1

Width / Height (mm)	Type Designation	Article No.	Units per package
---------------------	---------------------	-------------	----------------------

Sheet Steel Doors, tightened construction, BPZ-DS-T-...-P

Clip-down handle, Grey



wa_vt03913

400 / 1696,5	BPZ-DS-T-400/17-P	142434	1
400 / 1996,5	BPZ-DS-T-400/20-P	142435	1
600 / 1696,5	BPZ-DS-T-600/17-P	142436	1
600 / 1996,5	BPZ-DS-T-600/20-P	142437	1
800 / 1696,5	BPZ-DS-T-800/17-P	142438	1
800 / 1996,5	BPZ-DS-T-800/20-P	142439	1
600+400L / 1696,5	BPZ-DS-T-600/17-P	142436	1
	BPZ-DS-T-400/17-L	142440	1
600+400L / 1996,5	BPZ-DS-T-600/20-P	142437	1
	BPZ-DS-T-400/20-L	142441	1
600+600L / 1696,5	BPZ-DS-T-600/17-P	142436	1
	BPZ-DS-T-600/17-L	142442	1
600+600L / 1996,5	BPZ-DS-T-600/20-P	142437	1
	BPZ-DS-T-600/20-L	142443	1

Width / Height (mm)	Type Designation	Article No.	Units per package
---------------------	---------------------	-------------	----------------------

Transparent Doors (Sheet Steel), BPZ-DT-...

Rotary door handle, Grey

VT00106



400 / 1696,5	BPZ-DT-400/17	102431	1
400 / 1996,5	BPZ-DT-400/20	102432	1
600 / 1696,5	BPZ-DT-600/17	102433	1
600 / 1996,5	BPZ-DT-600/20	102434	1
800 / 1696,5	BPZ-DT-800/17	102435	1
800 / 1996,5	BPZ-DT-800/20	102436	1
600+400L / 1696,5	BPZ-DT-600/17	102433	1
	BPZ-DT-400/17-L	106422	1
600+400L / 1996,5	BPZ-DT-600/20	102434	1
	BPZ-DT-400/20-L	106423	1
600+600L / 1696,5	BPZ-DT-600/17	102433	1
	BPZ-DT-600/17-L	106424	1
600+600L / 1996,5	BPZ-DT-600/20	102434	1
	BPZ-DT-600/20-L	106425	1

Rotary door handle, White

400 / 1696,5	BPZ-DT-400/17-W	102455	1
400 / 1996,5	BPZ-DT-400/20-W	102456	1
600 / 1696,5	BPZ-DT-600/17-W	102457	1
600 / 1996,5	BPZ-DT-600/20-W	102458	1
800 / 1696,5	BPZ-DT-800/17-W	102459	1
800 / 1996,5	BPZ-DT-800/20-W	102460	1
600+400L / 1696,5	BPZ-DT-600/17-W	102457	1
	BPZ-DT-400/17-L-W	106426	1
600+400L / 1996,5	BPZ-DT-600/20-W	102458	1
	BPZ-DT-400/20-L-W	106427	1
600+600L / 1696,5	BPZ-DT-600/17-W	102457	1
	BPZ-DT-600/17-L-W	106428	1
600+600L / 1996,5	BPZ-DT-600/20-W	102458	1
	BPZ-DT-600/20-L-W	106429	1

Transparent Doors (Sheet Steel), BPZ-DT-...-P

Clip-down handle, Grey

VT00206



400 / 1696,5	BPZ-DT-400/17-P	102437	1
400 / 1996,5	BPZ-DT-400/20-P	102438	1
600 / 1696,5	BPZ-DT-600/17-P	102439	1
600 / 1996,5	BPZ-DT-600/20-P	102440	1
800 / 1696,5	BPZ-DT-800/17-P	102441	1
800 / 1996,5	BPZ-DT-800/20-P	102442	1
600+400L / 1696,5	BPZ-DT-600/17-P	102439	1
	BPZ-DT-400/17-L	106422	1
600+400L / 1996,5	BPZ-DT-600/20-P	102440	1
	BPZ-DT-400/20-L	106423	1
600+600L / 1696,5	BPZ-DT-600/17-P	102439	1
	BPZ-DT-600/17-L	106424	1
600+600L / 1996,5	BPZ-DT-600/20-P	102440	1
	BPZ-DT-600/20-L	106425	1

Clip-down handle, White

400 / 1696,5	BPZ-DT-400/17-P-W	102461	1
400 / 1996,5	BPZ-DT-400/20-P-W	102462	1
600 / 1696,5	BPZ-DT-600/17-P-W	102463	1
600 / 1996,5	BPZ-DT-600/20-P-W	102464	1
800 / 1696,5	BPZ-DT-800/17-P-W	102465	1
800 / 1996,5	BPZ-DT-800/20-P-W	102466	1
600+400L / 1696,5	BPZ-DT-600/17-P-W	102463	1
	BPZ-DT-400/17-L-W	106426	1
600+400L / 1996,5	BPZ-DT-600/20-P-W	102464	1
	BPZ-DT-400/20-L-W	106427	1
600+600L / 1696,5	BPZ-DT-600/17-P-W	102463	1
	BPZ-DT-600/17-L-W	106428	1
600+600L / 1996,5	BPZ-DT-600/20-P-W	102464	1
	BPZ-DT-600/20-L-W	106429	1

Floor-standing enclosures BPM-F, IP54 for Profi+ installation units

wa_v03613



BPM-F...

- Sheet-steel welded enclosure, degree of protection IP54, IK07
- Protection class I
- 320 mm enclosure depth
- Empty enclosures for accommodating Profi+ installation units
Special types for assembling on the base frame or MSW assembling
- Single-wing (till 800 mm wide) and double-wing door versions
- Hinged handle with multiple rotary lock or 3-point rod lock with clip down handle
- Doors with covered hinges, reversible
- Open cable entry top and bottom, prepared for F3A (membrane) flanges
- Body white RAL 9016 or grey RAL 7035

Moisture Proof-Floor-Standing Board with Dual-bit lock, IP54, BPM-F-...

- depth 320 mm
- welded construction with door and two-way key bit
- open cable entry below and above, prepared for F3A-Flanges
- interior fitting system possible via MSW or Towers
- to assemble with MSW, 2 pair Corner Tower Sets BPZ-CTS-S and 1 piece Snap Element BPZ-SNAP-MSW-CTS have to be ordered separately
- to assemble on the main frame 2 pieces Frontplate Support BPZ-FPS have to be ordered separately

Width / Outside Height / Frontplate Height (mm)	Type Designation	Article No.	Units per package
---	------------------	-------------	-------------------

Dual-bit lock, Grey

wa_v17213



400 / 1760 / 1650	BPM-F-400/17	111037	1
400 / 2060 / 1950	BPM-F-400/20	111038	1
600 / 1760 / 1650	BPM-F-600/17	111039	1
600 / 2060 / 1950	BPM-F-600/20	111040	1
800 / 1760 / 1650	BPM-F-800/17	111041	1
800 / 2060 / 1950	BPM-F-800/20	111042	1
1000 / 1760 / 1650	BPM-F-1000/17	111043	1
1000 / 2060 / 1950	BPM-F-1000/20	111044	1
1200 / 1760 / 1650	BPM-F-1200/17	111045	1
1200 / 2060 / 1950	BPM-F-1200/20	111046	1

wa_v17313



Dual-bit lock, White

400 / 1760 / 1650	BPM-F-400/17-W	111077	1
400 / 2060 / 1950	BPM-F-400/20-W	111078	1
600 / 1760 / 1650	BPM-F-600/17-W	111079	1
600 / 2060 / 1950	BPM-F-600/20-W	111080	1
800 / 1760 / 1650	BPM-F-800/17-W	111081	1
800 / 2060 / 1950	BPM-F-800/20-W	111082	1
1000 / 1760 / 1650	BPM-F-1000/17-W	111083	1
1000 / 2060 / 1950	BPM-F-1000/20-W	111084	1
1200 / 1760 / 1650	BPM-F-1200/17-W	111085	1
1200 / 2060 / 1950	BPM-F-1200/20-W	111086	1

Moisture Proof-Floor-Standing Distribution Board with Clip-Down Handle, IP54, BPM-F-...-P

- depth 320 mm
- welded construction with door and clip-down handle
- open cable entry below and above, prepared for F3A-Flanges
- interior fitting system possible via MSW or Towers
- to assemble with MSW, 2 pair Corner Tower Sets BPZ-CTS-S and 1 piece Snap Element BPZ-SNAP-MSW-CTS have to be ordered separately
- to assemble on the main frame 2 pieces Frontplate Support BPZ-FPS have to be ordered separately

Width / Outside Height / Frontplate Height (mm)	Type Designation	Article No.	Units per package
---	------------------	-------------	-------------------

Clip-down handle, Grey

wa_vt03613



400 / 1760 / 1650	BPM-F-400/17-P	111047	1
400 / 2060 / 1950	BPM-F-400/20-P	111048	1
600 / 1760 / 1650	BPM-F-600/17-P	111049	1
600 / 2060 / 1950	BPM-F-600/20-P	111050	1
800 / 1760 / 1650	BPM-F-800/17-P	111051	1
800 / 2060 / 1950	BPM-F-800/20-P	111052	1
1000 / 1760 / 1650	BPM-F-1000/17-P	111053	1
1000 / 2060 / 1950	BPM-F-1000/20-P	111054	1
1200 / 1760 / 1650	BPM-F-1200/17-P	111055	1
1200 / 2060 / 1950	BPM-F-1200/20-P	111056	1

Clip-down handle, White

400 / 1760 / 1650	BPM-F-400/17-P-W	111087	1
400 / 2060 / 1950	BPM-F-400/20-P-W	111088	1
600 / 1760 / 1650	BPM-F-600/17-P-W	111089	1
600 / 2060 / 1950	BPM-F-600/20-P-W	111090	1
800 / 1760 / 1650	BPM-F-800/17-P-W	111091	1
800 / 2060 / 1950	BPM-F-800/20-P-W	111092	1
1000 / 1760 / 1650	BPM-F-1000/17-P-W	111093	1
1000 / 2060 / 1950	BPM-F-1000/20-P-W	111094	1
1200 / 1760 / 1650	BPM-F-1200/17-P-W	111095	1
1200 / 2060 / 1950	BPM-F-1200/20-P-W	111096	1

Width / Outside Height / Frontplate Height (mm)	Type Designation	Article No.	Units per package
---	------------------	-------------	-------------------

Basic Enclosure without door, Grey, BPM-F

VT104514



600 / 1760 / 1650	BPM-F-600/17-F	174362	1
600 / 2060 / 1950	BPM-F-600/20-F	174363	1
800 / 1760 / 1650	BPM-F-800/17-F	174367	1
800 / 2060 / 1950	BPM-F-800/20-F	174368	1
1000 / 1760 / 1650	BPM-F-1000/17-F	174370	1
1000 / 2060 / 1950	BPM-F-1000/20-F	174371	1

Width / Height (mm)	Type Designation	Article No.	Units per package
---------------------	------------------	-------------	-------------------

Steel sheet Doors with clip-down handle, Grey, IP54, BPZ-DMS

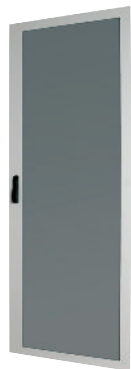
VT105014



570 / 1730	BPZ-DMS-600/17-P	174342	1
570 / 2030	BPZ-DMS-600/20-P	174343	1
770 / 1730	BPZ-DMS-800/17-P	174347	1
770 / 2030	BPZ-DMS-800/20-P	174348	1
600+370 / 1730	BPZ-DMS-1000/17-P	174350	1
600+370 / 2030	BPZ-DMS-1000/20-P	174351	1

Transparent Doors (steel sheet) with clip-down handle, Grey, IP54, BPZ-DMT

VT33914



570 / 1730	BPZ-DMT-600/17-P	173585	1
570 / 2030	BPZ-DMT-600/20-P	173586	1
770 / 1730	BPZ-DMT-800/17-P	173592	1
770 / 2030	BPZ-DMT-800/20-P	173593	1
600+370 / 1730	BPZ-DMT-1000/17-P	173597	1
600+370 / 2030	BPZ-DMT-1000/20-P	173598	1

VT32514



Width / Height / Rows	Type Designation	Article No.	Units per package
-----------------------	------------------	-------------	-------------------

Mounting insert, Front Plates steel sheet, BPZ-MES-...-ST

- overview scheme at the technic part
- with MSW application
- insert fits in Surface-, Flush-mounting and Open Distribution Board IP30
- 2 pair Corner Tower BPZ-CTS-S and 1 set Snap Elements BPZ-SNAP-MSW-CTS are in the scope of delivery of the floor standing boards (heights 17, 20)
- 1 set Snap Elements BPZ-SNAP-MSW-CTS are in the scope of delivery of the surface boards (heights 4, 7, 10, 12, 15), Corner Tower BPZ-CTS-S are in the scope of delivery
- 2 pair Corner Tower BPZ-CTS-S are needed additional for wall boards IP54 (BPM-O-...)

wa_vt24113



400 / 7 / 4	BPZ-MES-400/7-ST	119307	1
400 / 10 / 5	BPZ-MES-400/10-ST	119308	1
400 / 12 / 6	BPZ-MES-400/12-ST	119309	1
600 / 4 / 3	BPZ-MES-600/4-ST	119310	1
600 / 7 / 4	BPZ-MES-600/7-ST	119311	1
600 / 10 / 5	BPZ-MES-600/10-ST	119312	1
600 / 12 / 6	BPZ-MES-600/12-ST	119313	1
600 / 15 / 7	BPZ-MES-600/15-ST	119314	1
600 / 17 / 8	BPZ-MES-600/17-ST	119315	1
600 / 20 / 9	BPZ-MES-600/20-ST	119316	1
800 / 10 / 5	BPZ-MES-800/10-ST	119317	1
800 / 12 / 6	BPZ-MES-800/12-ST	119318	1
800 / 15 / 7	BPZ-MES-800/15-ST	119319	1
800 / 17 / 8	BPZ-MES-800/17-ST	119320	1
800 / 20 / 9	BPZ-MES-800/20-ST	119321	1
1000 / 10 / 5	BPZ-MES-1000/10-ST	119322	1
1000 / 12 / 6	BPZ-MES-1000/12-ST	119323	1
1000 / 15 / 7	BPZ-MES-1000/15-ST	119324	1
1000 / 17 / 8	BPZ-MES-1000/17-ST	119325	1
1000 / 20 / 9	BPZ-MES-1000/20-ST	119326	1
1200 / 12 / 6	BPZ-MES-1200/12-ST	119327	1
1200 / 15 / 7	BPZ-MES-1200/15-ST	119328	1
1200 / 17 / 8	BPZ-MES-1200/17-ST	119329	1
1200 / 20 / 9	BPZ-MES-1200/20-ST	119330	1

Mounting insert, Plasticfrontplatten, BPZ-MES-...-K

- overview scheme at the technic part
- with MSW application
- insert fits in Surface-, Flush-mounting and Open Distribution Board IP30
- 2 pair Corner Tower BPZ-CTS-S and 1 set Snap Elements BPZ-SNAP-MSW-CTS are in the scope of delivery of the floor standing boards (heights 17, 20)
- 1 set Snap Elements BPZ-SNAP-MSW-CTS are in the scope of delivery of the surface boards (heights 4, 7, 10, 12, 15), Corner Tower BPZ-CTS-S are in the scope of delivery
- 2 pair Corner Tower BPZ-CTS-S are needed additional for wall boards IP54 (BPM-O-...)


wa_vt24113



400 / 7 / 4	BPZ-MES-400/7-K	119331	1
400 / 10 / 5	BPZ-MES-400/10-K	119332	1
400 / 12 / 6	BPZ-MES-400/12-K	119333	1
600 / 4 / 3	BPZ-MES-600/4-K	119334	1
600 / 7 / 4	BPZ-MES-600/7-K	119335	1
600 / 10 / 5	BPZ-MES-600/10-K	119336	1
600 / 12 / 6	BPZ-MES-600/12-K	119337	1
600 / 15 / 7	BPZ-MES-600/15-K	119338	1
600 / 17 / 8	BPZ-MES-600/17-K	119339	1
600 / 20 / 9	BPZ-MES-600/20-K	119340	1
800 / 10 / 5	BPZ-MES-800/10-K	119341	1
800 / 12 / 6	BPZ-MES-800/12-K	119342	1
800 / 15 / 7	BPZ-MES-800/15-K	119343	1
800 / 17 / 8	BPZ-MES-800/17-K	119344	1
800 / 20 / 9	BPZ-MES-800/20-K	119345	1
1000 / 10 / 5	BPZ-MES-1000/10-K	119346	1
1000 / 12 / 6	BPZ-MES-1000/12-K	119347	1
1000 / 15 / 7	BPZ-MES-1000/15-K	119348	1
1000 / 17 / 8	BPZ-MES-1000/17-K	119349	1
1000 / 20 / 9	BPZ-MES-1000/20-K	119350	1
1200 / 12 / 6	BPZ-MES-1200/12-K	119351	1
1200 / 15 / 7	BPZ-MES-1200/15-K	119352	1
1200 / 17 / 8	BPZ-MES-1200/17-K	119353	1
1200 / 20 / 9	BPZ-MES-1200/20-K	119354	1

Open Distribution Board, IP30, BP-MN-...


- with MSW application but without mounting insert
- only the board without insert BPZ-MES
- Shift-back flange on top
- welded board
- depth 175 mm

	Width / Outside Height / Frontplate Height (mm)	Type Designation	Article No.	Units per package
Grey				
<small>wa_vt24013</small>				
	573 / 400 / 350	BP-MN-600/4/1,75	119197	1
	573 / 700 / 650	BP-MN-600/7/1,75	119198	1
	573 / 1000 / 950	BP-MN-600/10/1,75	119199	1
	573 / 1200 / 1150	BP-MN-600/12/1,75	119200	1
	573 / 1500 / 1450	BP-MN-600/15/1,75	119201	1
	573 / 1700 / 1650	BP-MN-600/17/1,75	119202	1
	573 / 2000 / 1950	BP-MN-600/20/1,75	119203	1
	773 / 1000 / 950	BP-MN-800/10/1,75	119204	1
	773 / 1200 / 1150	BP-MN-800/12/1,75	119205	1
	773 / 1500 / 1450	BP-MN-800/15/1,75	119206	1
	773 / 1700 / 1650	BP-MN-800/17/1,75	119207	1
	773 / 2000 / 1950	BP-MN-800/20/1,75	119208	1
	973 / 1000 / 950	BP-MN-1000/10/1,75	119209	1
	973 / 1200 / 1150	BP-MN-1000/12/1,75	119210	1
	973 / 1500 / 1450	BP-MN-1000/15/1,75	119211	1
	973 / 1700 / 1650	BP-MN-1000/17/1,75	119212	1
973 / 2000 / 1950	BP-MN-1000/20/1,75	119213	1	

Symbolfoto

Outdoor Distribution Board, IP43, BP-VF-...


- aluminium enclosure, power coated
- fits for base A-KU
- for MSW application
- for Mounting Insert BPZ-MES

	Width / Outside Height / Frontplate Height (mm)	Type Designation	Article No.	Units per package
Grey				
<small>wa_vt10814</small>				
	400 / 1060	BP-VF-400/10	125830	1
	400 / 1260	BP-VF-400/12	125833	1
	600 / 1060	BP-VF-600/10	125831	1
	600 / 1260	BP-VF-600/12	125834	1
	800 / 1060	BP-VF-800/10	125832	1
	800 / 1260	BP-VF-800/12	125835	1

	For Width	Type Designation	Article No.	Units per package
--	-----------	------------------	-------------	-------------------

Plastic Cover for Base, A-KU

- for outdoor enclosure BP-VF

<small>wa_vt11114</small>				
	400	A-KU3	274823	1
	600	A-KU4	274824	1
	800	A-KU5	274825	1

Width / Height (mm)	Type Designation	Article No.	Units per package
---------------------	------------------	-------------	-------------------

Front Cover for Base, BPZ-FS

Grey

wa_vt51413



400 / 100	BPZ-FS-400/1	293493	1
400 / 200	BPZ-FS-400/2	293495	1
600 / 100	BPZ-FS-600/1	293497	1
600 / 200	BPZ-FS-600/2	293499	1
800 / 100	BPZ-FS-800/1	293501	1
800 / 200	BPZ-FS-800/2	293503	1
1000 / 100	BPZ-FS-1000/1	293505	1
1000 / 200	BPZ-FS-1000/2	293507	1
1200 / 100	BPZ-FS-1200/1	293509	1
1200 / 200	BPZ-FS-1200/2	293511	1

White

400 / 100	BPZ-FS-400/1-W	293494	1
400 / 200	BPZ-FS-400/2-W	293496	1
600 / 100	BPZ-FS-600/1-W	293498	1
600 / 200	BPZ-FS-600/2-W	293500	1
800 / 100	BPZ-FS-800/1-W	293502	1
800 / 200	BPZ-FS-800/2-W	293504	1
1000 / 100	BPZ-FS-1000/1-W	293506	1
1000 / 200	BPZ-FS-1000/2-W	293508	1
1200 / 100	BPZ-FS-1200/1-W	293510	1
1200 / 200	BPZ-FS-1200/2-W	293512	1

Height / Depth (mm)	Type Designation	Article No.	Units per package
---------------------	------------------	-------------	-------------------

Side Cover for Base, BPZ-SS

Floor Standing Board

Grey, IP30

VT06905



100 / 250	BPZ-SS-1/250	119166	1
100 / 300	BPZ-SS-1/3	293513	1
100 / 400	BPZ-SS-1/400	119165	1
200 / 250	BPZ-SS-2/250	119170	1
200 / 300	BPZ-SS-2/3	293517	1
200 / 400	BPZ-SS-2/400	119169	1

Grey, IP54

100 / 320	BPZ-SS-1/320	112348	1
200 / 320	BPZ-SS-2/320	112349	1

White, IP30

100 / 300	BPZ-SS-1/3-W	293514	1
200 / 300	BPZ-SS-2/3-W	293518	1

White, IP54

100 / 320	BPZ-SS-1/320-W	112350	1
200 / 320	BPZ-SS-2/320-W	112351	1

Height / Depth (mm)	Type Designation	Article No.	Units per package
---------------------	------------------	-------------	-------------------

Side Cover for Base, BPZ-SS

Surface Mounting

Grey, IP30

VT06905



100 / 249	BPZ-SS-1/249	119168	1
200 / 249	BPZ-SS-2/249	119172	1

Grey, IP54

100 / 270	BPZ-SS-1/270	119167	1
200 / 270	BPZ-SS-2/270	119171	1

White, IP30

100 / 249	BPZ-SS-1/249-W	119174	1
200 / 249	BPZ-SS-2/249-W	119176	1

White, IP54

100 / 270	BPZ-SS-1/270-W	119173	1
200 / 270	BPZ-SS-2/270-W	119175	1

Side Cover Set for Base, BPZ-SS-.../SET

Floor Standing Board, BO . . . blind-open, OO . . . open-open

Grey, IP30

vt106114



100 / 300	BPZ-SS-1/300/SET/BO	119181	1
100 / 300	BPZ-SS-1/300/SET/OO	119182	1
100 / 400	BPZ-SS-1/400/SET/BO	119177	1
100 / 400	BPZ-SS-1/400/SET/OO	119178	1

Grey, IP54

100 / 320	BPZ-SS-1/320/SET/BO	119179	1
100 / 320	BPZ-SS-1/320/SET/OO	119180	1

White, IP30

100 / 300	BPZ-SS-1/300/SET/BO-W	119185	1
100 / 300	BPZ-SS-1/300/SET/OO-W	119186	1

White, IP54

100 / 320	BPZ-SS-1/320/SET/BO-W	119183	1
100 / 320	BPZ-SS-1/320/SET/OO-W	119184	1

Height / Depth (mm)	Type Designation	Article No.	Units per package
---------------------	------------------	-------------	-------------------

Side Cover Set for Base, BPZ-SS-.../SET

Surface Mounting, OO ... open-open

Grey, IP30

vt106114



100 / 270	BPZ-SS-1/270/SET/00	174352	1
-----------	---------------------	--------	---

Width / Height (mm)	Type Designation	Article No.	Units per package
---------------------	------------------	-------------	-------------------

Front Cover for Base, BPZ-MN-FS-...

• for open installation boards

wa_vt51413



573 / 100	BPZ-MN-FS-600/1	120685	1
573 / 200	BPZ-MN-FS-600/2	120686	1
773 / 100	BPZ-MN-FS-800/1	120687	1
773 / 200	BPZ-MN-FS-800/2	120688	1
973 / 100	BPZ-MN-FS-1000/1	120689	1
973 / 200	BPZ-MN-FS-1000/2	120690	1

Height / Depth (mm)	Type Designation	Article No.	Units per package
---------------------	------------------	-------------	-------------------

Side Cover for Base, BPZ-MN-SS...

for open installation boards

Grey

VT06905



100 / 175	BPZ-MN-SS/1/175	119214	1
200 / 175	BPZ-MN-SS/2/175	119215	1

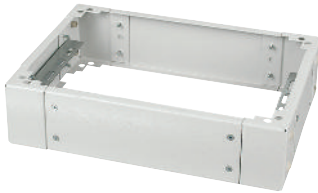
Width / Height / Depth (mm)	Type Designation	Article No.	Units per package
-----------------------------	---------------------	-------------	----------------------

Cable Interconnect Frame, BPZ-KR

- for Floor Standing Board **IP30** (depth 300 mm)
- delivery fully assembled
- Sheet steel, powder-coated in RAL 7035 light grey or RAL 9016 white
- Panelling can be removed from all sides
- can be mounted at the top and bottom of the enclosure
- fixing material included

Grey

wa_vt23313



400 / 100 / 300	BPZ-KR41/300	116269	1
400 / 200 / 300	BPZ-KR42/300	116270	1
600 / 100 / 300	BPZ-KR61/300	116271	1
600 / 200 / 300	BPZ-KR62/300	116272	1
800 / 100 / 300	BPZ-KR81/300	187882	1
800 / 200 / 300	BPZ-KR82/300	187883	1
1000 / 100 / 300	BPZ-KR101/300	187884	1
1000 / 200 / 300	BPZ-KR102/300	187885	1
1200 / 100 / 300	BPZ-KR121/300	116275	1
1200 / 200 / 300	BPZ-KR122/300	116276	1

White

400 / 100 / 300	BPZ-KR41/300-W	116277	1
400 / 200 / 300	BPZ-KR42/300-W	116278	1
600 / 100 / 300	BPZ-KR61/300-W	116279	1
600 / 200 / 300	BPZ-KR62/300-W	116280	1
800 / 100 / 300	BPZ-KR81/300-W	187886	1
800 / 200 / 300	BPZ-KR82/300-W	187887	1
1000 / 100 / 300	BPZ-KR101/300-W	187888	1
1000 / 200 / 300	BPZ-KR102/300-W	187889	1
1200 / 100 / 300	BPZ-KR121/300-W	116283	1
1200 / 200 / 300	BPZ-KR122/300-W	116284	1

Cable Interconnect Frame, BPZ-KR

- for Floor Standing Board **IP54** (depth 320 mm)
- delivery fully assembled
- Sheet steel, powder-coated in RAL 7035 light grey
- Panelling can be removed from all sides
- can be mounted at the top and bottom of the enclosure
- fixing material included

Grey

wa_vt23313



400 / 100 / 320	BPZ-KR41/320	116285	1
400 / 200 / 320	BPZ-KR42/320	116286	1
600 / 100 / 320	BPZ-KR61/320	116287	1
600 / 200 / 320	BPZ-KR62/320	116288	1
800 / 100 / 320	BPZ-KR81/320	187910	1
800 / 200 / 320	BPZ-KR82/320	187911	1
1000 / 100 / 320	BPZ-KR101/320	187890	1
1000 / 200 / 320	BPZ-KR102/320	187891	1
1200 / 100 / 320	BPZ-KR121/320	116291	1
1200 / 200 / 320	BPZ-KR122/320	116292	1

Width (mm)	Type Designation	Article No.	Units per package
------------	---------------------	-------------	----------------------

Cable Strain-Relief Rails C-Profile, BPZ-KFS

- suitable for use with cable interconnect frame BPZ-KR...
- C-Profile 16mm, for hammerfoot yoke clamps, galvanized
- fixing material included

wa_vt23413



400	BPZ-KFS-400	116293	1
600	BPZ-KFS-600	116294	1
800	BPZ-KFS-800	187892	1
1000	BPZ-KFS-1000	187893	1
1200	BPZ-KFS-1200	116296	1




Vertical partition Surface Mounting Installation Distribution Boards off width 800 mm, IP30 and IP54

Width (mm)	Type Designation	Article No.	Units per package
------------	------------------	-------------	-------------------

Mounting profile for Shared Composition in the Surface Mounting Installation Distribution Boards, BPZ-SFB

- pair (for top and bottom), screws included

VT32714

	800	BPZ-SFB-800	173633	1
	1000	BPZ-SFB-1000	173634	1
	1200	BPZ-SFB-1200	173635	1


Enclosure height / Frontplate Height (mm)	Type Designation	Article No.	Units per package
---	------------------	-------------	-------------------

Set for Shared Composition,, BPZ-SF

- for vertical partition in the Surface Mounting Installation Distribution Boards (off width 800 mm)
- mounting profile BPZ-SFB has to be ordered according to enclosure width
- per set an additional pair of front plate support BPZ-FPS is needed

Grey


VT33514

	10 / 950	BPZ-SF-10	173625	1
	12 / 1150	BPZ-SF-12	173626	1
	15 / 1450	BPZ-SF-15	173627	1

- for vertical partition in the Floor-Standing Distribution Board width 1000 and/or 1200 mm
- per set an additional pair of front plate support BPZ-FPS is needed

Grey

VT33514

	17 / 1650	BPZ-SF-17	108374	1
	20 / 1950	BPZ-SF-20	108375	1

White

	17 / 1650	BPZ-SF-17-W	108376	1
	20 / 1950	BPZ-SF-20-W	108377	1

Enclosure height / Frontplate Height (mm)	Type Designation	Article No.	Units per package
---	------------------	-------------	-------------------

Set for Shared Composition with 200 mm Compartment, BPZ-SF-200

- for 200 mm compartment in the Surface Mounting Installation Distribution Board (off width 800 mm)
- mounting profile BPZ-SFB has to be ordered according to enclosure width
- per set an additional pair of front plate support BPZ-FPS is needed

Grey

VT33414



4 / 350	BPZ-SF-200/4	173628	1
7 / 650	BPZ-SF-200/7	173629	1
10 / 950	BPZ-SF-200/10	173630	1
12 / 1150	BPZ-SF-200/12	173631	1
15 / 1450	BPZ-SF-200/15	173632	1

Width / Height (mm)	Type Designation	Article No.	Units per package
---------------------	------------------	-------------	-------------------

Sheet steel door for front plate cover of the 200 mm compartment in Shared Composition, BPZ-CD-200/..

- in connection with set for shared composition for 200 mm compartment BPZ-SF-200
- mounting onto front plate support BPZ-FPS

Grey

VT32614



200 / 350	BPZ-CD-200/4	173644	1
200 / 650	BPZ-CD-200/7	173645	1
200 / 950	BPZ-CD-200/10	173646	1
200 / 1150	BPZ-CD-200/12	173647	1
200 / 1450	BPZ-CD-200/15	173648	1
200 / 1650 *)	BPZ-CD-200/18-XVTL	173649	1
200 / 1850 *)	BPZ-CD-200/20-XVTL	173650	1

*) only for mounting in XVTL

Enclosure height / Height (mm)	Type Designation	Article No.	Units per package
--------------------------------	------------------	-------------	-------------------

Partition for Shared Composition, BPZ-SF-DP-..

- vertical partition between two sections in the enclosure without pre-stamping
- mounting on the base frame - no mounting insert MSW

VT33614



4 / 440	BPZ-SF-DP-4	173636	1
7 / 740	BPZ-SF-DP-7	173637	1
10 / 1040	BPZ-SF-DP-10	173638	1
12 / 1240	BPZ-SF-DP-12	173639	1
15 / 1540	BPZ-SF-DP-15	173640	1
17 / 1650	BPZ-SF-DP-17	152617	1
20 / 1950	BPZ-SF-DP-20	152618	1
16 / 1580 *)	BPZ-SF-DP-16-XVTL	173641	1
18 / 1780 *)	BPZ-SF-DP-18-XVTL	173642	1
20 / 1980 *)	BPZ-SF-DP-20-XVTL	173643	1

*) only for mounting in XVTL

Width / Height (mm)	Type Designation	Article No.	Units per package
---------------------	------------------	-------------	-------------------

Set for internal cable area as complete kit, BPZ-ICD-..

- for distribution boards Profi+ IP54
- 200 mm cable area BPZ-ICD-200... enclosure width 800 mm / off height 15
- 400 mm cable area BPZ-ICD-400... enclosure width 1000 mm / off height 15
- Set consists of mounting profile for shared composition, mounting holm rear, frontplate support front, sheet steel door incl. frame, transparent plastic cover

Grey

vt104614, vt104714



200 / 1450	BPZ-ICD-200/15	174353	1
200 / 1650	BPZ-ICD-200/17	174354	1
200 / 1950	BPZ-ICD-200/20	174355	1
400 / 1450	BPZ-ICD-400/15	174356	1
400 / 1650	BPZ-ICD-400/17	174388	1
400 / 1950	BPZ-ICD-400/20	174389	1

Frontplate Height (mm)	Type Designation	Article No.	Units per package
------------------------	------------------	-------------	-------------------

Frontplate Support, BPZ-FPS

- pair (for left and right side), screws included
- for the installation of the Floor Standing Board flexible application BP-F...-F
- intended for mounting of front plates without using BPZ-MSW
- shorter types enables combination of an installation section with BPZ-MSW and power section without BPZ-MSW in one board)

VT10206



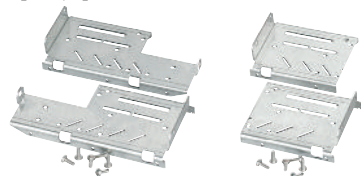
200	BPZ-FPS/2	106439	1
300	BPZ-FPS/3	106438	1
350	BPZ-FPS/350	112343	1
500	BPZ-FPS/5	106437	1
650	BPZ-FPS/650	112344	1
700	BPZ-FPS/7	106436	1
800	BPZ-FPS/8	106435	1
950	BPZ-FPS/950	112345	1
1000	BPZ-FPS/10	106434	1
1150	BPZ-FPS/1150	112346	1
1300	BPZ-FPS/13	106433	1
1450	BPZ-FPS/1450	112347	1
1600	BPZ-FPS/16	106432	1
1650	BPZ-FPS/17	106431	1
1950	BPZ-FPS/20	106430	1

Description	Type Designation	Article No.	Units per package
-------------	------------------	-------------	-------------------

Corner Tower Set, BPZ-CTS

- pair (for left and right side), screws included
- enables mounting of BPZ-MSW into floor standing boards or surface-mounting boards
- for mounting of terminal support bar BPZ-TSB
- Corner Tower Set short - for mounting MSW in floor standing boards or floor standing boards with separation frame
- Corner Tower Set long - used for wall mounted boards

wa_vt09413, wa_vt09513



BPZ-CTS-L

BPZ-CTS-S

short	BPZ-CTS-S	106445	1
long	BPZ-CTS-L	106446	1

Type Designation	Article No.	Units per package
------------------	-------------	-------------------

Snap Element Set,, BPZ-SNAP-MSW-CTS

- designed for comfort inserting and fixing BPZ-MSW with use BPZ-SNAP to board
- for boards with MSW application for BP-O, BPM-O and BP-F, BPM-F boards
- for IP30 and IP54 boards
- mount on Corner Tower Set BPZ-CTS

VT01310



BPZ-SNAP-MSW-CTS	131559	1
------------------	--------	---

Frontplate Height (mm)	Type Designation	Article No.	Units per
------------------------	------------------	-------------	-----------

Mounting Side Wall, BPZ-MSW

- incl. pre-mounted snap-on element BPZ-SNAP

wa_v18013



350	BPZ-MSW-4/SNAP	112284	1 pair
650	BPZ-MSW-7/SNAP	112285	1 pair
950	BPZ-MSW-10/SNAP	112286	1 pair
1150	BPZ-MSW-12/SNAP	112287	1 pair
1450	BPZ-MSW-15/SNAP	112288	1 pair
1650	BPZ-MSW-17/SNAP	112289	1 pair
1950	BPZ-MSW-20/SNAP	112300	1 pair

Type Designation	Article No.	Units per package
------------------	-------------	-------------------

Unit for MSW, BPZ-SNAP

VT12008



BPZ-SNAP	116677	1
----------	--------	---

Height (mm)	Type Designation	Article No.	Units per package
-------------	------------------	-------------	-------------------

Door Support bar, BPZ-TP-...

- door support bar for mounting the C-Profile Rail BPZ-CP-TP1,2
- overview at the technical part

Grey

VT13608



300	BPZ-TP-4	119216	1
550	BPZ-TP-7	119217	1
850	BPZ-TP-10	119218	1
1000	BPZ-TP-12	119219	1
1350	BPZ-TP-15	119220	1
1550	BPZ-TP-17	119221	1
1850	BPZ-TP-20	119222	1

White

300	BPZ-TP-4-W	131561	1
550	BPZ-TP-7-W	131562	1
850	BPZ-TP-10-W	131563	1
1000	BPZ-TP-12-W	131564	1
1350	BPZ-TP-15-W	131565	1
1550	BPZ-TP-17-W	131566	1
1850	BPZ-TP-20-W	131567	1

Lenght (mm)	Type Designation	Article No.	Units per package
-------------	------------------	-------------	-------------------

C-Profile rail for Door Support bar, BPZ-CP-TP1,2

- standard lenght 1200 mm
- zinc coated

wa_vt24213



1200	BPZ-CP-TP1,2	119223	1
------	--------------	--------	---

Width (mm)	Type Designation	Article No.	Units per package
------------	------------------	-------------	-------------------

Separation horizontal, BPZ-AS

- metal base frame with plastic insert
- for MSW application

VT13508



400	BPZ-AS-400	119224	1
600	BPZ-AS-600	119225	1
800	BPZ-AS-800	119226	1
1000	BPZ-AS-1000	119227	1
1200	BPZ-AS-1200	119228	1

Height	Type Designation	Article No.	Units per package
--------	------------------	-------------	-------------------

Separation Add-on board, BPZ-ASB/..

- vertical separation between 2 boards without knockouts
- mounting on the base frame - no mounting insert MSW

VT01510



400	BPZ-ASB/4	120727	1
700	BPZ-ASB/7	120728	1
1000	BPZ-ASB/10	120729	1
1200	BPZ-ASB/12	120730	1
1500	BPZ-ASB/15	120731	1

Width (mm)	Type Designation	Article No.	Units per package
------------	------------------	-------------	-------------------

Separation Main Frame horizontal, BPZ-ASMF-...

- mounting on the base frame - no mounting insert MSW
- horizontal mounting with side knockouts for adaptation to the respective enclosure design
- for realizing an interior segregation of Form 2b
- in combination with vertical partition BPZ-SF-DP-... it's possible up to Form 4b
- BPZ-ASMF-200 suitable for use in the 200 mm wide compartment/cable section for outgoers

wa_vt27613



200	BPZ-ASMF-200	188221	1
400	BPZ-ASMF-400	120722	1
600	BPZ-ASMF-600	120723	1
800	BPZ-ASMF-800	120724	1
1000	BPZ-ASMF-1000	120725	1
1200	BPZ-ASMF-1200	120726	1

Höhe (mm) / Ausschnittmaß max. Höhe x Tiefe (mm)	Type Designation	Article No.	Units per package
--	---------------------	-------------	----------------------

Separation Main Frame vertical, BPZ-SF-DP-...

- mounting on the base frame - no mounting insert MSW
- vertical mounting with integrated plastic insert (PVC), for individual knockouts
- for realizing an interior segregation of Form 2b
- in combination with horizontal partition BPZ-ASMF-... it's possible up to Form 4b

100 / 63 x 113	BPZ-SF-DP-100	188209	1
125 / 88 x 113	BPZ-SF-DP-125	188210	1
150 / 113 x 113	BPZ-SF-DP-150	188211	1
175 / 138 x 113	BPZ-SF-DP-175	188212	1
200 / 163 x 113	BPZ-SF-DP-200	188213	1
250 / 213 x 113	BPZ-SF-DP-250	188214	1
300 / 263 x 113	BPZ-SF-DP-300	188215	1
350 / 313 x 113	BPZ-SF-DP-350	188216	1
400 / 363 x 113	BPZ-SF-DP-400	188217	1
500 / 463 x 113	BPZ-SF-DP-500	188218	1
600 / 563 x 113	BPZ-SF-DP-600	188219	1
800 / 763 x 113	BPZ-SF-DP-800	188220	1

Height x depth (mm)	Type Designation	Article No.	Units per package
---------------------	---------------------	-------------	----------------------

Depth Straps adjustable, TIW-1

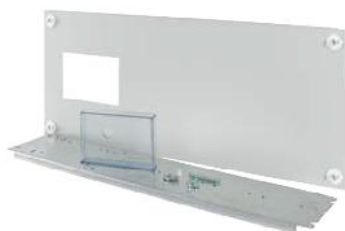
- mounting onto BPZ-MSW
- for assembling of mounting plates deeper than it is possible with BPZ-MSW itself
- pairs

wa_vt39413



75 x 90	TIW-1	275430	1
---------	-------	--------	---

Standard-Section Profi+ installation system



- The standard-section fitting-system is a system for the set-up of factory-built, type-tested switchgear assemblies
- 2 ways of Profi+ installation system; for assembly on the base frame or MSW assembly
- High fill rate for DIN modular devices by wide 45mm openings
- Flexibility in project development thanks to individual assembly options with standard inserts for standard sections or standard parts for different areas of application
- Time-saving mounting of individual standard-section modules and components thanks to screw-type or clamping technique
- A large number of type-tested assemblies for standard-section modules do not require any further mechanical handling
- High level of safety and security in operating and service is guaranteed thanks to type-tested distribution systems conforming to the EN-IEC 61439 standard

For meter, installation and power distribution boards in our cabinet systems:

- Wall-mounted distribution cabinets BP-0, BPM-0, BP-U up to 630 A
- Floor-standing distribution cabinet BP-F, BPM-F up to 630 A
- Floor-standing distribution cabinet XVTL up to 1600 A

Width / Height (mm)	Type Designation	Article No.	Units per package
---------------------	---------------------	-------------	----------------------

Front Plates, blind, BPZ-FP-...-BL


- Steel Sheet
- self-earthing fasteners

Grey

VT00305



400 / 50	BPZ-FP-400/050-BL	286675	1
400 / 100	BPZ-FP-400/100-BL	286676	1
400 / 125	BPZ-FP-400/125-BL	151252	1
400 / 150	BPZ-FP-400/150-BL	286677	1
400 / 175	BPZ-FP-400/175-BL	151257	1
400 / 200	BPZ-FP-400/200-BL	286679	1
400 / 250	BPZ-FP-400/250-BL	108389	1
400 / 300	BPZ-FP-400/300-BL	108390	1
400 / 350	BPZ-FP-400/350-BL	119229	1
400 / 400	BPZ-FP-400/400-BL	119230	1
400 / 500	BPZ-FP-400/500-BL	119231	1
400 / 800	BPZ-FP-400/800-BL	119232	1
600 / 50	BPZ-FP-600/050-BL	286681	1
600 / 100	BPZ-FP-600/100-BL	286682	1
600 / 125	BPZ-FP-600/125-BL	151253	1
600 / 150	BPZ-FP-600/150-BL	286683	1
600 / 175	BPZ-FP-600/175-BL	151258	1
600 / 200	BPZ-FP-600/200-BL	286685	1
600 / 250	BPZ-FP-600/250-BL	108391	1
600 / 300	BPZ-FP-600/300-BL	108392	1
600 / 350	BPZ-FP-600/350-BL	119233	1
600 / 400	BPZ-FP-600/400-BL	119234	1
600 / 500	BPZ-FP-600/500-BL	119235	1
600 / 800	BPZ-FP-600/800-BL	119236	1
800 / 50	BPZ-FP-800/050-BL	286687	1
800 / 100	BPZ-FP-800/100-BL	286688	1
800 / 125	BPZ-FP-800/125-BL	151254	1
800 / 150	BPZ-FP-800/150-BL	286689	1
800 / 175	BPZ-FP-800/175-BL	151259	1
800 / 200	BPZ-FP-800/200-BL	286691	1
800 / 250	BPZ-FP-800/250-BL	108393	1
800 / 300	BPZ-FP-800/300-BL	108394	1
800 / 350	BPZ-FP-800/350-BL	119237	1
800 / 400	BPZ-FP-800/400-BL	119238	1
800 / 500	BPZ-FP-800/500-BL	119239	1
800 / 800	BPZ-FP-800/800-BL	119240	1
1000 / 50	BPZ-FP-1000/050-BL	293526	1
1000 / 100	BPZ-FP-1000/100-BL	293528	1
1000 / 125	BPZ-FP-1000/125-BL	151255	1
1000 / 150	BPZ-FP-1000/150-BL	293530	1
1000 / 175	BPZ-FP-1000/175-BL	151730	1
1000 / 200	BPZ-FP-1000/200-BL	293534	1
1000 / 250	BPZ-FP-1000/250-BL	108395	1
1000 / 300	BPZ-FP-1000/300-BL	108396	1
1000 / 350	BPZ-FP-1000/350-BL	119241	1
1000 / 400	BPZ-FP-1000/400-BL	119242	1
1000 / 500	BPZ-FP-1000/500-BL	119243	1
1000 / 800	BPZ-FP-1000/800-BL	119244	1
1200 / 50	BPZ-FP-1200/050-BL	293538	1
1200 / 100	BPZ-FP-1200/100-BL	293540	1
1200 / 125	BPZ-FP-1200/125-BL	151256	1
1200 / 150	BPZ-FP-1200/150-BL	293542	1
1200 / 175	BPZ-FP-1200/175-BL	151731	1
1200 / 200	BPZ-FP-1200/200-BL	293546	1
1200 / 250	BPZ-FP-1200/250-BL	108397	1
1200 / 300	BPZ-FP-1200/300-BL	108398	1
1200 / 500	BPZ-FP-1200/500-BL	152516	1
1200 / 800	BPZ-FP-1200/800-BL	152517	1

	Width / Height (mm)	Type Designation	Article No.	Units per package
White <small>VT02505</small> 	400 / 50	BPZ-FP-400/050-BL-W	292397	1
	400 / 100	BPZ-FP-400/100-BL-W	292398	1
	400 / 150	BPZ-FP-400/150-BL-W	292399	1
	400 / 200	BPZ-FP-400/200-BL-W	292401	1
	400 / 250	BPZ-FP-400/250-BL-W	108399	1
	400 / 300	BPZ-FP-400/300-BL-W	108400	1
	400 / 350	BPZ-FP-400/350-BL-W	119245	1
	400 / 400	BPZ-FP-400/400-BL-W	119246	1
	400 / 500	BPZ-FP-400/500-BL-W	119247	1
	400 / 800	BPZ-FP-400/800-BL-W	119248	1
	600 / 50	BPZ-FP-600/050-BL-W	292403	1
	600 / 100	BPZ-FP-600/100-BL-W	292404	1
	600 / 150	BPZ-FP-600/150-BL-W	292405	1
	600 / 200	BPZ-FP-600/200-BL-W	292407	1
	600 / 250	BPZ-FP-600/250-BL-W	108401	1
	600 / 300	BPZ-FP-600/300-BL-W	108402	1
	600 / 350	BPZ-FP-600/350-BL-W	119249	1
	600 / 400	BPZ-FP-600/400-BL-W	119250	1
	600 / 500	BPZ-FP-600/500-BL-W	119251	1
	600 / 800	BPZ-FP-600/800-BL-W	119252	1
	800 / 50	BPZ-FP-800/050-BL-W	292409	1
	800 / 100	BPZ-FP-800/100-BL-W	292410	1
	800 / 150	BPZ-FP-800/150-BL-W	292411	1
	800 / 200	BPZ-FP-800/200-BL-W	292413	1
	800 / 250	BPZ-FP-800/250-BL-W	108403	1
	800 / 300	BPZ-FP-800/300-BL-W	108404	1
	800 / 350	BPZ-FP-800/350-BL-W	119253	1
	800 / 400	BPZ-FP-800/400-BL-W	119254	1
	800 / 500	BPZ-FP-800/500-BL-W	119255	1
	800 / 800	BPZ-FP-800/800-BL-W	119256	1
	1000 / 50	BPZ-FP-1000/050-BL-W	293527	1
	1000 / 100	BPZ-FP-1000/100-BL-W	293529	1
	1000 / 150	BPZ-FP-1000/150-BL-W	293531	1
	1000 / 200	BPZ-FP-1000/200-BL-W	293535	1
	1000 / 250	BPZ-FP-1000/250-BL-W	108405	1
	1000 / 300	BPZ-FP-1000/300-BL-W	108406	1
	1000 / 350	BPZ-FP-1000/350-BL-W	119257	1
	1000 / 400	BPZ-FP-1000/400-BL-W	119258	1
	1000 / 500	BPZ-FP-1000/500-BL-W	119259	1
	1000 / 800	BPZ-FP-1000/800-BL-W	119260	1
	1200 / 50	BPZ-FP-1200/050-BL-W	293539	1
	1200 / 100	BPZ-FP-1200/100-BL-W	293541	1
	1200 / 150	BPZ-FP-1200/150-BL-W	293543	1
	1200 / 200	BPZ-FP-1200/200-BL-W	293547	1
	1200 / 250	BPZ-FP-1200/250-BL-W	108407	1
1200 / 300	BPZ-FP-1200/300-BL-W	108408	1	
1200 / 500	BPZ-FP-1200/500-BL-W	152518	1	
1200 / 800	BPZ-FP-1200/800-BL-W	152519	1	

Width / Height (mm)	Type Designation	Article No.	Units per package
---------------------	---------------------	-------------	----------------------

Front Plates, blind, BPZ-FPK-...-BL

- Plastic (PVC)

Grey

v100305



400 / 50	BPZ-FPK-400/50-BL	119261	1
400 / 100	BPZ-FPK-400/100-BL	119262	1
400 / 150	BPZ-FPK-400/150-BL	119263	1
400 / 200	BPZ-FPK-400/200-BL	119264	1
600 / 50	BPZ-FPK-600/50-BL	119265	1
600 / 100	BPZ-FPK-600/100-BL	119266	1
600 / 150	BPZ-FPK-600/150-BL	119267	1
600 / 200	BPZ-FPK-600/200-BL	119268	1
600 / 250	BPZ-FPK-600/250-BL	119269	1
600 / 300	BPZ-FPK-600/300-BL	119270	1
600 / 350	BPZ-FPK-600/350-BL	119271	1
800 / 50	BPZ-FPK-800/50-BL	119272	1
800 / 100	BPZ-FPK-800/100-BL	119273	1
800 / 150	BPZ-FPK-800/150-BL	119274	1
800 / 200	BPZ-FPK-800/200-BL	119275	1
800 / 250	BPZ-FPK-800/250-BL	119276	1
800 / 300	BPZ-FPK-800/300-BL	119277	1
800 / 350	BPZ-FPK-800/350-BL	119278	1
1000 / 50	BPZ-FPK-1000/50-BL	119279	1
1000 / 100	BPZ-FPK-1000/100-BL	119280	1
1000 / 150	BPZ-FPK-1000/150-BL	119281	1
1000 / 200	BPZ-FPK-1000/200-BL	119282	1
1000 / 250	BPZ-FPK-1000/250-BL	119283	1
1000 / 300	BPZ-FPK-1000/300-BL	119284	1
1000 / 350	BPZ-FPK-1000/350-BL	119285	1
1200 / 100	BPZ-FPK-1200/100-BL	119286	1
1200 / 150	BPZ-FPK-1200/150-BL	119287	1
1200 / 200	BPZ-FPK-1200/200-BL	119288	1
1200 / 250	BPZ-FPK-1200/250-BL	119289	1
1200 / 300	BPZ-FPK-1200/300-BL	119290	1
1200 / 350	BPZ-FPK-1200/350-BL	119291	1

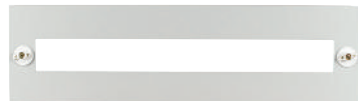
Width (mm) / Height (mm) / MU	Type Designation	Article No.	Units per package
-------------------------------	---------------------	-------------	----------------------

Front Plates with 45 mm Device Cutout, BPZ-FP/(MSW)-...-45

- Steel Sheet
- self-earthing fasteners
- BPZ-FP/MSW-...-45 only for MSW applications

Grey

VT00405



400 / 125 / 13	BPZ-FP/MSW-400/125-45	120783	1
400 / 150 / 13	BPZ-FP-400/150-45	286678	1
400 / 175 / 13	BPZ-FP/MSW-400/175-45	120784	1
400 / 200 / 13	BPZ-FP-400/200-45	286680	1
600 / 125 / 24	BPZ-FP/MSW-600/125-45	120785	1
600 / 150 / 24	BPZ-FP-600/150-45	286684	1
600 / 175 / 24	BPZ-FP/MSW-600/175-45	120786	1
600 / 200 / 24	BPZ-FP-600/200-45	286686	1
800 / 125 / 35	BPZ-FP/MSW-800/125-45	120787	1
800 / 150 / 35	BPZ-FP-800/150-45	286690	1
800 / 175 / 35	BPZ-FP/MSW-800/175-45	120788	1
800 / 200 / 35	BPZ-FP-800/200-45	286692	1
1000 / 125 / 46	BPZ-FP/MSW-1000/125-45	120789	1
1000 / 150 / 46	BPZ-FP-1000/150-45	293532	1
1000 / 175 / 46	BPZ-FP/MSW-1000/175-45	120790	1
1000 / 200 / 46	BPZ-FP-1000/200-45	293536	1
1200 / 125 / 57	BPZ-FP/MSW-1200/125-45	120791	1
1200 / 150 / 57	BPZ-FP-1200/150-45	293544	1
1200 / 175 / 57	BPZ-FP/MSW-1200/175-45	120792	1
1200 / 200 / 57	BPZ-FP-1200/200-45	293548	1

Width / Height (mm)	Type Designation	Article No.	Units per package
---------------------	------------------	-------------	-------------------

White

VT02605



400 / 150 / 13	BPZ-FP-400/150-45-W	292400	1
400 / 200 / 13	BPZ-FP-400/200-45-W	292402	1
600 / 150 / 24	BPZ-FP-600/150-45-W	292406	1
600 / 200 / 24	BPZ-FP-600/200-45-W	292408	1
800 / 150 / 35	BPZ-FP-800/150-45-W	292412	1
800 / 200 / 35	BPZ-FP-800/200-45-W	292414	1
1000 / 150 / 46	BPZ-FP-1000/150-45-W	293533	1
1000 / 200 / 46	BPZ-FP-1000/200-45-W	293537	1
1200 / 150 / 57	BPZ-FP-1200/150-45-W	293545	1
1200 / 200 / 57	BPZ-FP-1200/200-45-W	293549	1

Width (mm) / Height (mm) / MU	Type Designation	Article No.	Units per package
-------------------------------	------------------	-------------	-------------------

Front Plates with 45 mm Device Cutout, BPZ-FPK/(MSW)-...-45

- Plastic (PVC)
- BPZ-FPK/MSW-...-45 only for MSW applications

Grey

VI00405



400 / 125 / 13	BPZ-FPK/MSW-400/125-45	120793	1
400 / 150 / 13	BPZ-FPK-400/150-45	119292	1
400 / 175 / 13	BPZ-FPK/MSW-400/175-45	120794	1
400 / 200 / 13	BPZ-FPK-400/200-45	119293	1
600 / 125 / 24	BPZ-FPK/MSW-600/125-45	120795	1
600 / 150 / 24	BPZ-FPK-600/150-45	119294	1
600 / 175 / 24	BPZ-FPK/MSW-600/175-45	120796	1
600 / 200 / 24	BPZ-FPK-600/200-45	119295	1
800 / 125 / 35	BPZ-FPK/MSW-800/125-45	120797	1
800 / 150 / 35	BPZ-FPK-800/150-45	119296	1
800 / 175 / 35	BPZ-FPK/MSW-800/175-45	120798	1
800 / 200 / 35	BPZ-FPK-800/200-45	119297	1
1000 / 125 / 46	BPZ-FPK/MSW-1000/125-45	120799	1
1000 / 150 / 46	BPZ-FPK-1000/150-45	119298	1
1000 / 175 / 46	BPZ-FPK/MSW-1000/175-45	120800	1
1000 / 200 / 46	BPZ-FPK-1000/200-45	119299	1
1200 / 125 / 57	BPZ-FPK/MSW-1200/125-45	120801	1
1200 / 150 / 57	BPZ-FPK-1200/150-45	119300	1
1200 / 175 / 57	BPZ-FPK/MSW-1200/175-45	120802	1
1200 / 200 / 57	BPZ-FPK-1200/200-45	119301	1

Width (mm) / Height (mm)	Type Designation	Article No.	Units per package
--------------------------	------------------	-------------	-------------------

Front Plates, Steel sheet with Plastic Insert, BPZ-FPP-...-BL

- Sheet steel frame with plastic insert
- self-earthing fasteners
- universal front plate suitable for different outputs

Grey

VT25306



400 / 150	BPZ-FPP-400/150-BL	120732	1
400 / 300	BPZ-FPP-400/300-BL	108291	1
600 / 150	BPZ-FPP-600/150-BL	120733	1
600 / 300	BPZ-FPP-600/300-BL	108292	1
600 / 500	BPZ-FPP-600/500-BL	108293	1
800 / 150	BPZ-FPP-800/150-BL	120734	1
800 / 300	BPZ-FPP-800/300-BL	108294	1
800 / 500	BPZ-FPP-800/500-BL	108295	1
1000 / 150	BPZ-FPP-1000/150-BL	120735	1
1000 / 300	BPZ-FPP-1000/300-BL	134202	1
1000 / 500	BPZ-FPP-1000/500-BL	134203	1
1200 / 150	BPZ-FPP-1200/150-BL	120736	1
1200 / 300	BPZ-FPP-1200/300-BL	134204	1
1200 / 500	BPZ-FPP-1200/500-BL	134205	1

White

400 / 150	BPZ-FPP-400/150-BL-W	120737	1
400 / 300	BPZ-FPP-400/300-BL-W	108296	1
600 / 150	BPZ-FPP-600/150-BL-W	120738	1
600 / 300	BPZ-FPP-600/300-BL-W	108297	1
600 / 500	BPZ-FPP-600/500-BL-W	108298	1
800 / 150	BPZ-FPP-800/150-BL-W	120739	1
800 / 300	BPZ-FPP-800/300-BL-W	108299	1
800 / 500	BPZ-FPP-800/500-BL-W	108300	1
1000 / 150	BPZ-FPP-1000/150-BL-W	120740	1
1000 / 300	BPZ-FPP-1000/300-BL-W	134206	1
1000 / 500	BPZ-FPP-1000/500-BL-W	134207	1
1200 / 150	BPZ-FPP-1200/150-BL-W	120741	1
1200 / 300	BPZ-FPP-1200/300-BL-W	134208	1
1200 / 500	BPZ-FPP-1200/500-BL-W	134209	1

Width (mm) / Height (mm) / RMQ (Stk.)	Type Designation	Article No.	Units per package
---------------------------------------	------------------	-------------	-------------------

Front Plates for Command Devices RMQ-Titan, BPZ-FP-...-RMQ

- Steel Sheet
- self-earthing fasteners

Grey

VT25506



400 / 100 / 7	BPZ-FP-400/100-RMQ	108370	1
600 / 100 / 12	BPZ-FP-600/100-RMQ	108371	1

White

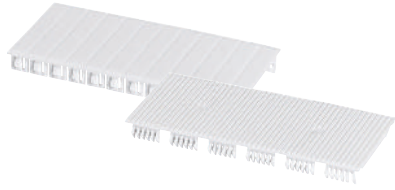
400 / 100 / 7	BPZ-FP-400/100-RMQ-W	108372	1
600 / 100 / 12	BPZ-FP-600/100-RMQ-W	108373	1

Description	Type Designation	Article No.	Units per package
-------------	------------------	-------------	-------------------

Blanking Strip, BS-...-WH

- for all Eaton distribution boards

wa_vt10414, wa_vt10714



Blanking Strip, white, fine-ribbed, 12 MU	BS-12MF-WH	178975	10/100
Blanking Strip, grey, fine-ribbed, 12 MU	BS-12MF-GY	178980	10/100
Blanking Strip, white, fine-ribbed, 6 MU	BS-6MF-WH	178976	10/100
Blanking Strip, white, rough-ribbed, 12 MU	BS-12MB-WH	178977	10/100
Blanking Strip, grey, rough-ribbed, 12 MU	BS-12MB-GY	178979	10/100
Blanking Strip, white, rough-ribbed, 6 MU	BS-6MB-WH	178978	10/100

Blanking Strips

wa_vt07213



Blanking Strip, white, 2x 10 MU incl. wedges	AP-45	275410	2
---	-------	--------	---

wa_vt07313



Blanking Strip, grey, 1m long	NBP-1000	275413	1
Blanking Strip, white, 1m long	NBP-1000-W	101666	1

Width (mm) / Height (mm) / MU	Type Designation	Article No.	Units per package
-------------------------------	------------------	-------------	-------------------

Blanking Strip for SASY 60i, AM-195/54

- plastic cover for SASY 60i cut outs, RAL 7035
- suitable for material thickness 1-2.5 mm
- to clip on and click onto place
- possibility to shorten

wa_sg02313



54 / 195 / 3	AM-195/45	107963	1
--------------	-----------	--------	---

Description	Type Designation	Article No.	Units per package
-------------	------------------	-------------	-------------------

Front plate screw, BPZ-FPV

- replacement part
- plastic part incl. sealing screw and standard screw
- delivery in component parts

VT01210



Single packaged Closure with grounding connection	BPZ-FPV	120721	1
200 pcs. loose parts in the box Closure with grounding connection	BPZ-FPV-E	180441 *)	200

*) Article No. and price per piece

Width / Height (mm)	Type Designation	Article No.	Units per package
---------------------	---------------------	-------------	----------------------

Universal Mounting Plate, BPZ-MPL

- suitable for mounting into flush-, surface- and floorstanding boards
- screws included

VT00805



VT00805



400 / 30	BPZ-MPL30-400	104316	1
600 / 30	BPZ-MPL30-600	104317	1
800 / 30	BPZ-MPL30-800	104318	1
1000 / 30	BPZ-MPL30-1000	104319	1
1200 / 30	BPZ-MPL30-1200	104330	1
400 / 80	BPZ-MPL80-400	286765	1
600 / 80	BPZ-MPL80-600	286766	1
800 / 80	BPZ-MPL80-800	286767	1
1000 / 80	BPZ-MPL80-1000	293609	1
1200 / 80	BPZ-MPL80-1200	293610	1
400 / 100	BPZ-MPL100-400	114799	1
425 / 100 *)	BPZ-MPL100-425	114800	1
600 / 100	BPZ-MPL100-600	114801	1
800 / 100	BPZ-MPL100-800	114802	1
1000 / 100	BPZ-MPL100-1000	114803	1
1200 / 100	BPZ-MPL100-1200	114804	1
400 / 180	BPZ-MPL180-400	102472	1
600 / 180	BPZ-MPL180-600	102473	1
800 / 180	BPZ-MPL180-800	102474	1
1000 / 180	BPZ-MPL180-1000	102475	1
1200 / 180	BPZ-MPL180-1200	102476	1
400 / 200	BPZ-MPL200-400	114805	1
425 / 200 *)	BPZ-MPL200-425	114806	1
600 / 200	BPZ-MPL200-600	114807	1
800 / 200	BPZ-MPL200-800	114808	1
1000 / 200	BPZ-MPL200-1000	114809	1
1200 / 200	BPZ-MPL200-1200	114810	1
400 / 300	BPZ-MPL300-400	114811	1
425 / 300 *)	BPZ-MPL300-425	114812	1
600 / 300	BPZ-MPL300-600	114813	1
800 / 300	BPZ-MPL300-800	114814	1
1000 / 300	BPZ-MPL300-1000	114815	1
1200 / 300	BPZ-MPL300-1200	114816	1
400 / 280	BPZ-MPL350-400	108333	1
600 / 280	BPZ-MPL350-600	108340	1
800 / 280	BPZ-MPL350-800	108347	1
1000 / 280	BPZ-MPL350-1000	153022	1
1200 / 280	BPZ-MPL350-1200	153023	1
400 / 400	BPZ-MPL400-400	114817	1
425 / 400 *)	BPZ-MPL400-425	114818	1
600 / 400	BPZ-MPL400-600	114819	1
800 / 400	BPZ-MPL400-800	114820	1
1000 / 400	BPZ-MPL400-1000	114821	1
1200 / 400	BPZ-MPL400-1200	114822	1
400 / 500	BPZ-MPL500-400	114823	1
425 / 500 *)	BPZ-MPL500-425	114824	1
600 / 500	BPZ-MPL500-600	114825	1
800 / 500	BPZ-MPL500-800	114826	1
1000 / 500	BPZ-MPL500-1000	114827	1
1200 / 500	BPZ-MPL500-1200	114828	1
400 / 580	BPZ-MPL650-400	108334	1
600 / 580	BPZ-MPL650-600	108341	1
800 / 580	BPZ-MPL650-800	108348	1
1000 / 580	BPZ-MPL650-1000	153024	1
1200 / 580	BPZ-MPL650-1200	153025	1
400 / 880	BPZ-MPL950-400	108335	1
600 / 880	BPZ-MPL950-600	108342	1
800 / 880	BPZ-MPL950-800	108349	1
1000 / 880	BPZ-MPL950-1000	153026	1
1200 / 880	BPZ-MPL950-1200	153027	1
400 / 1080	BPZ-MPL1150-400	108336	1
600 / 1080	BPZ-MPL1150-600	108343	1
800 / 1080	BPZ-MPL1150-800	108350	1
1000 / 1080	BPZ-MPL1150-1000	153028	1
1200 / 1080	BPZ-MPL1150-1200	153029	1

*) only for mounting in XVTL

VT24806



Width / Height (mm)	Type Designation	Article No.	Units per package
400 / 1380	BPZ-MPL1450-400	108337	1
600 / 1380	BPZ-MPL1450-600	108344	1
800 / 1380	BPZ-MPL1450-800	108351	1
1000 / 1380	BPZ-MPL1450-1000	153030	1
1200 / 1380	BPZ-MPL1450-1200	153031	1
400 / 1580	BPZ-MPL1650-400	108338	1
600 / 1580	BPZ-MPL1650-600	108345	1
800 / 1580	BPZ-MPL1650-800	108352	1
1000 / 1580	BPZ-MPL1650-1000	153032	1
1200 / 1580	BPZ-MPL1650-1200	153033	1
400 / 1880	BPZ-MPL1950-400	108339	1
600 / 1880	BPZ-MPL1950-600	108346	1
800 / 1880	BPZ-MPL1950-800	108353	1
1000 / 1880	BPZ-MPL1950-1000	153034	1
1200 / 1880	BPZ-MPL1950-1200	153035	1

Width (mm) / Length of copper (mm)	Type Designation	Article No.	Units per package
------------------------------------	------------------	-------------	-------------------

Mounting Plate BPZ-MPL80-... incl. copper 20 x 5 mm as the main grounding point in the housing, BPZ-GND-...

- mounting on the base frame
- complete set consisting of mounting plate, SASY support (2x BBS-1/FL), copper rail

400 / 208	BPZ-GND-400	187867	1
600 / 408	BPZ-GND-600	187868	1
800 / 408	BPZ-GND-800	187869	1
1000 / 408	BPZ-GND-1000	187870	1
1200 / 408	BPZ-GND-1200	187871	1

Width (mm) / Height (mm)	Type Designation	Article No.	Units per package
--------------------------	------------------	-------------	-------------------

Mounting-Set for max. Installation depth, BPZ-KIT-MPL-...

- set contains bended mounting plate, bended front plate and screws
- installation depth 224 mm
- mounting plate with steel front plate

Grey

wa_vt27513



400 / 300	BPZ-KIT-MPL-400	134210	1
600 / 300	BPZ-KIT-MPL-600	134211	1
800 / 300	BPZ-KIT-MPL-800	134212	1
1000 / 300 *)	BPZ-KIT-MPL-1000	134213	1
1200 / 300 *)	BPZ-KIT-MPL-1200	134214	1

*) only for installation in the floor-standing distribution board from depth 300 mm

White

400 / 300	BPZ-KIT-MPL-400-W	134215	1
600 / 300	BPZ-KIT-MPL-600-W	134216	1
800 / 300	BPZ-KIT-MPL-800-W	134217	1
1000 / 300 *)	BPZ-KIT-MPL-1000-W	134218	1
1200 / 300 *)	BPZ-KIT-MPL-1200-W	134219	1

*) only for installation in the floor-standing distribution board from depth 300 mm

Width (mm) / Height (mm)	Type Designation	Article No.	Units per package
--------------------------	------------------	-------------	-------------------

Mounting Set, BPZ-NZM

• kits for NZM1, 2 and 3 (horizontal or vertical), front plate and screws included

Vertical - grey

VT01005, VT00905



400 / 300	BPZ-NZM1-400-MV	286757	1
400 / 400	BPZ-NZM2-400-MV	286758	1
400 / 500	BPZ-NZM3-400-MV	286759	1
600 / 300	BPZ-NZM1-600-MV	286762	1
600 / 400	BPZ-NZM2-600-MV	286763	1
600 / 500	BPZ-NZM3-600-MV	286764	1
800 / 300	BPZ-NZM1-800-MV	293603	1
800 / 400	BPZ-NZM2-800-MV	293605	1
800 / 500	BPZ-NZM3-800-MV	293607	1

Vertical - white

VT03205, VT00905



400 / 300	BPZ-NZM1-400-MV-W	292473	1
400 / 400	BPZ-NZM2-400-MV-W	292474	1
400 / 500	BPZ-NZM3-400-MV-W	292475	1
600 / 300	BPZ-NZM1-600-MV-W	292478	1
600 / 400	BPZ-NZM2-600-MV-W	292479	1
600 / 500	BPZ-NZM3-600-MV-W	292480	1
800 / 300	BPZ-NZM1-800-MV-W	293604	1
800 / 400	BPZ-NZM2-800-MV-W	293606	1
800 / 500	BPZ-NZM3-800-MV-W	293608	1

Horizontal - grey

400 / 200	BPZ-NZM1-400-MH	173601	1
400 / 200	BPZ-NZM2-400-MH	173602	1
600 / 200	BPZ-NZM1-600-MH	286760	1
600 / 200	BPZ-NZM2-600-MH	286761	1
600 / 300	BPZ-NZM3-600-MH	120750	1
800 / 200	BPZ-NZM1-800-MH	293599	1
800 / 200	BPZ-NZM2-800-MH	293601	1
800 / 300	BPZ-NZM3-800-MH	120751	1

Horizontal - white

400 / 200	BPZ-NZM1-400-MH-W	190039	1
400 / 200	BPZ-NZM2-400-MH-W	190040	1
600 / 200	BPZ-NZM1-600-MH-W	292476	1
600 / 200	BPZ-NZM2-600-MH-W	292477	1
600 / 300	BPZ-NZM3-600-MH-W	120752	1
800 / 200	BPZ-NZM1-800-MH-W	293600	1
800 / 200	BPZ-NZM2-800-MH-W	293602	1
800 / 300	BPZ-NZM3-800-MH-W	120753	1

Width (mm) / Height (mm)	Type Designation	Article No.	Units per package
--------------------------	------------------	-------------	-------------------

Mounting-Set for NZM with rotary door handle, BPZ-NZM...-RH

Vertical - grey

vt00905



400 / 300	BPZ-NZM1-400-MV-RH	116679	1
400 / 400	BPZ-NZM2-400-MV-RH	116680	1
400 / 500	BPZ-NZM3-400-MV-RH	116681	1
600 / 300	BPZ-NZM1-600-MV-RH	116682	1
600 / 400	BPZ-NZM2-600-MV-RH	116683	1
800 / 300	BPZ-NZM1-800-MV-RH	116684	1
800 / 400	BPZ-NZM2-800-MV-RH	116685	1

Vertical - white

vt03205



400 / 300	BPZ-NZM1-400-MV-RH-W	105217	1
400 / 400	BPZ-NZM2-400-MV-RH-W	105218	1
400 / 500	BPZ-NZM3-400-MV-RH-W	105527	1
600 / 300	BPZ-NZM1-600-MV-RH-W	105219	1
600 / 400	BPZ-NZM2-600-MV-RH-W	105520	1
800 / 300	BPZ-NZM1-800-MV-RH-W	105521	1
800 / 400	BPZ-NZM2-800-MV-RH-W	105522	1

Horizontal - grey

vt00905



600 / 200	BPZ-NZM1-600-MH-RH	116686	1
600 / 200	BPZ-NZM2-600-MH-RH	116687	1
800 / 200	BPZ-NZM1-800-MH-RH	116688	1
800 / 200	BPZ-NZM2-800-MH-RH	116689	1

Horizontal - white

vt03205



600 / 200	BPZ-NZM1-600-MH-RH-W	105523	1
600 / 200	BPZ-NZM2-600-MH-RH-W	105524	1
800 / 200	BPZ-NZM1-800-MH-RH-W	105525	1
800 / 200	BPZ-NZM2-800-MH-RH-W	105526	1

Mounting Set NZM for MSW, BPZ-NZM./MSW

- mounting on MSW
- mounting with BEL into side wall (MSW)

Vertical - grey

vt10908, VT01005



400 / 300	BPZ-NZM1/MSW-400-MV	116923	1
400 / 400	BPZ-NZM2/MSW-400-MV	116924	1
600 / 300	BPZ-NZM1/MSW-600-MV	116925	1
600 / 400	BPZ-NZM2/MSW-600-MV	116926	1
800 / 300	BPZ-NZM1/MSW-800-MV	116927	1
800 / 400	BPZ-NZM2/MSW-800-MV	116928	1

Vertical - white

400 / 300	BPZ-NZM1/MSW-400-MV-W	116929	1
400 / 400	BPZ-NZM2/MSW-400-MV-W	116930	1
600 / 300	BPZ-NZM1/MSW-600-MV-W	116931	1
600 / 400	BPZ-NZM2/MSW-600-MV-W	116932	1
800 / 300	BPZ-NZM1/MSW-800-MV-W	116933	1
800 / 400	BPZ-NZM2/MSW-800-MV-W	116934	1

Horizontal - grey

vt10908, VT03205



600 / 200	BPZ-NZM1/MSW-600-MH	116935	1
600 / 200	BPZ-NZM2/MSW-600-MH	116936	1
800 / 200	BPZ-NZM1/MSW-800-MH	116937	1
800 / 200	BPZ-NZM2/MSW-800-MH	116938	1

Horizontal - white

600 / 200	BPZ-NZM1/MSW-600-MH-W	116939	1
600 / 200	BPZ-NZM2/MSW-600-MH-W	116940	1
800 / 200	BPZ-NZM1/MSW-800-MH-W	116941	1
800 / 200	BPZ-NZM2/MSW-800-MH-W	116942	1

Width (mm)	Type Designation	Article No.	Units per package
------------	---------------------	-------------	----------------------

Mounting Plate for multiple mounting NZM, BPZ-MPL-NZM...-...-MV

- without front plate
- for vertical use of NZM switches

vt125114



vt125014



400	BPZ-MPL-NZM1X-400-MV	120742	1
600	BPZ-MPL-NZM1X-600-MV	120743	1
800	BPZ-MPL-NZM1X-800-MV	120744	1
1000	BPZ-MPL-NZM1X-1000-MV	173619	1
1200	BPZ-MPL-NZM1X-1200-MV	173620	1
400	BPZ-MPL-NZM2X-400-MV	120745	1
600	BPZ-MPL-NZM2X-600-MV	120746	1
800	BPZ-MPL-NZM2X-800-MV	120747	1
1000	BPZ-MPL-NZM2X-1000-MV	173621	1
1200	BPZ-MPL-NZM2X-1200-MV	173622	1
600	BPZ-MPL-NZM3X-600-MV	120748	1
800	BPZ-MPL-NZM3X-800-MV	120749	1
1000	BPZ-MPL-NZM3X-1000-MV	173623	1
1200	BPZ-MPL-NZM3X-1200-MV	173624	1
400 *)	BPZ-MPL-NZM4-400-MV-XVTL	182593	1
600 *)	BPZ-MPL-NZM4-600-MV-XVTL	174586	1
800 *)	BPZ-MPL-NZM4X-800-MV-XVTL	174587	1
1000 *)	BPZ-MPL-NZM4X-1000-MV-XVTL	174588	1

*) only for mounting in XVTL

Width (mm) / Height (mm) / max. No. of 3-/4-pole NZM	Type Designation	Article No.	Units per package
--	---------------------	-------------	----------------------

Front plate multiple mounting NZM, BPZ-FP

- Steel Sheet
- self-earthing fasteners
- prepared cut-outs in the front plate
- without mounting plate
- incl. cover for not used openings (NZM2, NZM3 and NZM4)
- use AP-45 cover strip with NZM1 front plates

Vertical - grey

VT32014



VT31714



400 / 200 / 2xNZM1/2xNZM1	BPZ-FP-400/200-45	286680	1
600 / 200 / 4xNZM1/3xNZM1	BPZ-FP-600/200-45	286686	1
800 / 200 / 7xNZM1/5xNZM1	BPZ-FP-800/200-45	286692	1
1000 / 200 / 9xNZM1/6xNZM1	BPZ-FP-1000/200-45	293536	1
1200 / 200 / 11xNZM1/8xNZM1	BPZ-FP-1200/200-45	293548	1
400 / 300 / 2xNZM2/---	BPZ-FP-NZM2X-2/0-400-MV	173607	1
600 / 300 / 3xNZM2/2xNZM2	BPZ-FP-NZM2X-3/2-600-MV	173608	1
800 / 300 / 4xNZM2/4xNZM2	BPZ-FP-NZM2X-4/4-800-MV	173609	1
1000 / 300 / 4xNZM2/4xNZM2	BPZ-FP-NZM2X-4/4-1000-MV	173610	1
1200 / 300 / 4xNZM2/4xNZM2	BPZ-FP-NZM2X-4/4-1200-MV	173611	1
600 / 500 / 2xNZM3/2xNZM3	BPZ-FP-NZM3X-2/2-600-MV	173612	1
800 / 500 / 3xNZM3/3xNZM3	BPZ-FP-NZM3X-3/3-800-MV	173613	1
1000 / 500 / 3xNZM3/3xNZM3	BPZ-FP-NZM3X-3/3-1000-MV	173614	1
1200 / 500 / 3xNZM3/3xNZM3	BPZ-FP-NZM3X-3/3-1200-MV	173615	1
800 / 800 / 2xNZM4/2xNZM4 *)	BPZ-FP-NZM4X-2/2-800-MV-XVTL	173616	1
1000 / 800 / 3xNZM4/2xNZM4 *)	BPZ-FP-NZM4X-3/2-1000-MV-XVTL	173617	1
1200 / 800 / 3xNZM4/3xNZM4 *)	BPZ-FP-NZM4X-3/3-1200-MV-XVTL	173618	1

*) only for mounting in XVTL

Width (mm) / Height (mm) / max. No. of 3-/4-pole NZM	Type Designation	Article No.	Units per package
--	------------------	-------------	-------------------

Front plate single mounting NZM4, BPZ-FP-NZM4-...-M.-XVTL

- Steel Sheet
- self-earthing fasteners
- prepared cut-outs in the front plate
- without mounting plate
- only for mounting in the XVTL system

Grey

VT31814



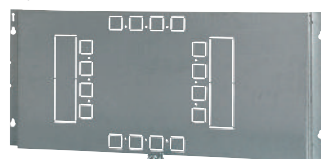
400 / 800 / 1xNZM4 vertical	BPZ-FP-NZM4-400-MV-XVTL	173603	1
600 / 800 / 1xNZM4 vertical	BPZ-FP-NZM4-600-MV-XVTL	173604	1
800 / 800 / 1xNZM4 vertical	BPZ-FP-NZM4-800-MV-XVTL	173605	1
800 / 400 / 1xNZM4 horizontal	BPZ-FP-NZM4-800-MH-XVTL	173606	1

Width (mm) / Height (mm) / max. No. of NZM	Type Designation	Article No.	Units per package
--	------------------	-------------	-------------------

Mounting Plate NZM symmetrical, prepared for rear connection, BPZ-MPL-NZM-...-MX

- without front plate
- for vertical and horizontal use of NZM switches
- only 1 NZM with horizontal use

VT107714



600 / 3xNZM1 vertical	BPZ-MPL-NZM1X-600-MX	174390	1
800 / 4xNZM1 vertical	BPZ-MPL-NZM1X-800-MX	174399	1
600 / 2xNZM2 vertical	BPZ-MPL-NZM2X-600-MX	174391	1
800 / 3xNZM2 vertical	BPZ-MPL-NZM2X-800-MX	174400	1
600 / 1xNZM3 vertical	BPZ-MPL-NZM3-600-MX	174395	1
800 / 1xNZM3 vertical	BPZ-MPL-NZM3-800-MX	174404	1
600 / 1xNZM4 vertical *)	BPZ-MPL-NZM4-600-MX-XVTL	174397	1
800 / 1xNZM4 vertical *)	BPZ-MPL-NZM4-800-MX-XVTL	174406	1

*) only for mounting in XVTL

MU / suitable for	Type Designation	Article No.	Units per package
-------------------	------------------	-------------	-------------------

DIN-Rail for mounting plate NZM1 symmetrical, BPZ-DINR

- installation onto mounting plate BPZ-MPL-NZM1X-...-MX
- in case of use 1xNZM1 vertical

VT106314



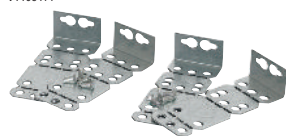
17 / Art.-No. 174390	BPZ-DINR17-MPLNZM1X-600-MV	174382	10
27 / Art.-No. 174399	BPZ-DINR27-MPLNZM1X-800-MV	174383	10

Type Designation	Article No.	Units per package
------------------	-------------	-------------------

Mounting Kit for max. installation depth of the mounting plate NZM symmetrical, BPZ-KIT-MPL-NZMX-XDV/XMV/XR-XVTL

- for mounting of NZM.-XDV, NZM.-XMV or NZM.-XR... onto the mounting plate
- per mounting plate 1 kit is needed

VT106414



BPZ-KIT-MPL-NZMXDXV/XMV/XR-XVTL	174381	1
---------------------------------	--------	---

Width (mm) / Height (mm) / max. No. of 4-pole NZM	Type Designation	Article No.	Units per package
---	------------------	-------------	-------------------

Front plate NZM symmetrical, BPZ-FP/S

- Steel Sheet
- self-earthing fasteners
- prepared cut-outs in the front plate
- without mounting plate
- only useful in combination with mounting plate NZM symmetrical

Vertical - grey

VT107114



600 / 200 / 3xNZM1	BPZ-FP-600/200-45	286686	1
600 / 200 / 1xNZM1+XFI	BPZ-FP-600/200-45	286686	1
600 / 300 / 1xNZM2	BPZ-FP/S-NZM2-600-MV	174392	1
600 / 300 / 2xNZM2	BPZ-FP/S-NZM2X-2/2-600-MV	174393	1
600 / 400 / 1xNZM2+XFI	BPZ-FP/S-NZM2-XFI-600-MV	174394	1
600 / 400 / 1xNZM3	BPZ-FP/S-NZM3-600-MV	174396	1
600 / 400 / 1xNZM3+XDV	BPZ-FP/S-NZM3-XDV-600-MV	177327	1
600 / 600 / 1xNZM4 *)	BPZ-FP/S-NZM4-600-MV-XVTL	174398	1
600 / 600 / 1xNZM4+XDV *)	BPZ-FP/S-NZM4-XDV-600-MV-XVTL	177328	1
800 / 200 / 4xNZM1	BPZ-FP-800/200-45	286692	1
800 / 200 / 2xNZM1+XFI	BPZ-FP-800/200-45	286692	1
800 / 300 / 1xNZM2	BPZ-FP/S-NZM2-800-MV	174401	1
800 / 300 / 3xNZM2	BPZ-FP/S-NZM2X-3/3-800-MV	174402	1
800 / 400 / 1xNZM2+XFI	BPZ-FP/S-NZM2-XFI-800-MV	174403	1
800 / 400 / 1xNZM3	BPZ-FP/S-NZM3-800-MV	174405	1
800 / 400 / 1xNZM3+XDV	BPZ-FP/S-NZM3-XDV-800-MV	177329	1
800 / 600 / 1xNZM4 *)	BPZ-FP/S-NZM4-800-MV-XVTL	174407	1
800 / 600 / 1xNZM4+XDV *)	BPZ-FP/S-NZM4-XDV-800-MV-XVTL	177330	1

*) only for mounting in XVTL

Horizontal - grey

VT107014



600 / 200 / 1xNZM1	BPZ-FP/S-NZM1-600-MH	174408	1
600 / 200 / 1xNZM2	BPZ-FP/S-NZM2-600-MH	174409	1
600 / 200 / 1xNZM2+XFI	BPZ-FP/S-NZM2-XFI-600-MH	174410	1
600 / 400 / 1xNZM3	BPZ-FP/S-NZM3-600-MH	174411	1
600 / 400 / 1xNZM3+XDV	BPZ-FP/S-NZM3-XDV-600-MH	177331	1
600 / 600 / 1xNZM4 *)	BPZ-FP-NZM4-600-MH-XVTL	174375	1
600 / 600 / 1xNZM4+XDV *)	BPZ-FP-NZM4-XDV-600-MH-XVTL	177332	1
800 / 200 / 1xNZM1	BPZ-FP/S-NZM1-800-MH	174376	1
800 / 200 / 1xNZM2	BPZ-FP/S-NZM2-800-MH	174377	1
800 / 200 / 1xNZM2+XFI	BPZ-FP/S-NZM2-XFI-800-MH	174378	1
800 / 400 / 1xNZM3	BPZ-FP/S-NZM3-800-MH	174379	1
800 / 400 / 1xNZM3+XDV	BPZ-FP/S-NZM3-XDV-800-MH	177333	1
800 / 600 / 1xNZM4 *)	BPZ-FP/S-NZM4-800-MH-XVTL	174380	1
800 / 600 / 1xNZM4+XDV *)	BPZ-FP/S-NZM4-XDV-800-MH-XVTL	177334	1

*) only for mounting in XVTL

Width (mm) / Height (mm)	Type Designation	Article No.	Units per package
--------------------------	---------------------	-------------	----------------------

Mounting Set BZM for multiple mounting, BPZ-BZM1/2

- for BZM1 and BZM2 mounting (2-, 3- and 4-pole)
- mounting plate with steel front plate (300 mm) with cutout (45 mm)

Grey

wa_vt11314, wa_vt11414



400 / 300	BPZ-BZM1/2-400-MV	144222	1
600 / 300	BPZ-BZM1/2-600-MV	144223	1
800 / 300	BPZ-BZM1/2-800-MV	144224	1
1000 / 300	BPZ-BZM1/2-1000-MV	144225	1
1200 / 300	BPZ-BZM1/2-1200-MV	144226	1

White

400 / 300	BPZ-BZM1/2-400-MV-W	144227	1
600 / 300	BPZ-BZM1/2-600-MV-W	144228	1
800 / 300	BPZ-BZM1/2-800-MV-W	144229	1
1000 / 300	BPZ-BZM1/2-1000-MV-W	144230	1
1200 / 300	BPZ-BZM1/2-1200-MV-W	144231	1

Mounting Set for Dumeco Load Disconnecter, BPZ-DMV

- for size 160 A to 400 A (3 and 4 poles)
- set consisting of mounting plate and steel front panel, with prepared cut-out
- rotary handle (not included in the scope of delivery) can directly be fixed at the front panel
- with width 600/800 mm additional busbar carriers and terminals can be fixed directly next to the switchgear (incl. prepared mounting holes for BPZ-BBS-4/250)

Grey

VT56715



400 / 300	BPZ-DMV160/400-400-RH	182581	1
600 / 300	BPZ-DMV160/400-600-RH	182582	1
800 / 300	BPZ-DMV160/400-800-RH	182583	1

White

400 / 300	BPZ-DMV160/400-400-RH-W	182584	1
600 / 300	BPZ-DMV160/400-600-RH-W	182585	1
800 / 300	BPZ-DMV160/400-800-RH-W	182586	1

Mounting Set for NH Fuse Load Disconnecter QSA, BPZ-QSA

- for size 63 A to 160 A (3 and 4 poles)
- set consisting of mounting plate and steel front panel, with prepared cut-out
- rotary handle (not included in the scope of delivery) can directly be fixed at the switchgear cover
- with width 600/800 mm additional busbar carriers and terminals can be fixed directly next to the switchgear (incl. prepared mounting holes for BPZ-BBS-4/250)

Grey

VT56615



400 / 300	BPZ-QSA63/160-400-RH	182587	1
600 / 300	BPZ-QSA63/160-600-RH	182588	1
800 / 300	BPZ-QSA63/160-800-RH	182589	1

White

400 / 300	BPZ-QSA63/160-400-RH-W	182590	1
600 / 300	BPZ-QSA63/160-600-RH-W	182591	1
800 / 300	BPZ-QSA63/160-800-RH-W	182592	1

Width (mm) / Height (mm) / Note	Type Designation	Article No.	Units per package
---------------------------------	---------------------	-------------	----------------------

Mounting Set for NH Fuse Load Disconnecter QSA, BPZ-QSA

- for size 160 A to 800 A (3 and 4 poles)
- set consisting of mounting plate and steel front panel, with prepared cut-out
- rotary handle (not included in the scope of delivery) can directly be fixed at the switchgear cover
- suitable for mounting in the XVTL or BPM-F from depth 400 mm

Vertical - grey

600 / 300 / Size 2	BPZ-QSA160/400-600-RH-XVTL	188230	1
800 / 300 / Size 2	BPZ-QSA160/400-800-RH-XVTL	188231	1
600 / 400 / Size 3	BPZ-QSA400/800-600-RH-XVTL	188234	1
800 / 400 / Size 3	BPZ-QSA400/800-800-RH-XVTL	188235	1

Horizontal - grey

600 / 500 / Size 2	BPZ-QSA160/400-600-MH-RH-XVTL	188232	1
800 / 500 / Size 2	BPZ-QSA160/400-800-MH-RH-XVTL	188233	1
600 / 600 / Size 3	BPZ-QSA400/800-600-MH-RH-XVTL	188236	1
800 / 600 / Size 3	BPZ-QSA400/800-800-MH-RH-XVTL	188237	1

Mounting Kit for Memshield 3 Pan Assemblies - type B Distribution Panel 3P+N up to 250 A, BPZ-KIT-EBMP

- set consisting of mounting plate and steel front panel, with prepared cut-out
- prepared panel "Pan Assembly" must be ordered separately
- Mounting is done directly on the mounting plate - incoming vertically - outgoings horizontal left/right

Vertical - grey

600 / 600 / 8-way 3P+N	BPZ-KIT-EBMP81-600-MV	188222	1
600 / 800 / 12-way 3P+N	BPZ-KIT-EBMP122-600-MV	188223	1
600 / 1000 / 18-way 3P+N	BPZ-KIT-EBMP182-600-MV	188224	1

Mounting Kit for Memshield 3 Pan Assemblies - MCCB Distribution Panel up to 800 A, BPZ-KIT-EPBPN

- set consisting of mounting plate and steel front panel, with prepared cut-out
- prepared panel "Pan Assembly" must be ordered separately
- Mounting is done directly on the mounting plate - incoming vertically - outgoings horizontal left/right

Vertical - grey

600 / 1000 / 12-way 3P	BPZ-KIT-EPBPN11225-600-MV	188225	1
800 / 1300 / 12-way 3P	BPZ-KIT-EPBPN21240-800-MV	188226	1
800 / 1600 / 18-way 3P	BPZ-KIT-EPBPN21840-800-MV	188227	1
800 / 1600 / 18-way 3P	BPZ-KIT-EPBPN21863-800-MV	188228	1
800 / 1300 / 12-way 3P	BPZ-KIT-EPBPN31280-800-MV	188229	1

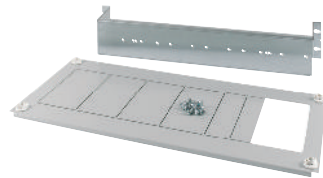
Width (mm) / Height (mm) / max. number of 3 or 4-pole XNH	Type Designation	Article No.	Units per package
---	------------------	-------------	-------------------

Mounting Set for NH Fuse Switch Disconnecter XNH, BPZ-XNH

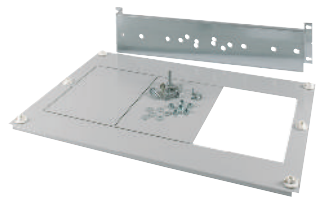
- for size 160 A to 630 A (3 and 4 poles - of XNH2 only 3 pole version available)
- single and multiple mounting is possible on a mounting plate
- set includes mounting plate and steel front panel with a cut-out prepared at the factory
- for multiple mounting or when using 4-pole devices, the holes in the front panel need to be knocked out accordingly, pre-punched areas are available according to the specified maximum number

Grey

vt13416



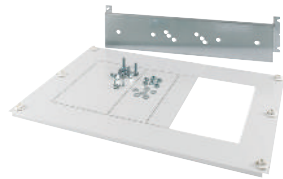
vt13116



400 / 300 / 2xXNH00/1xXNH00	BPZ-XNH00X-2/1-400-MV	184548	1
600 / 300 / 4xXNH00/1xXNH00	BPZ-XNH00X-4/1-600-MV	184549	1
800 / 300 / 6xXNH00/1xXNH00	BPZ-XNH00X-6/1-800-MV	184550	1
400 / 450 / 1xXNH1/-	BPZ-XNH1-1/0-400-MV	184551	1
600 / 450 / 2xXNH1/1xXNH1	BPZ-XNH1X-2/1-600-MV	184552	1
800 / 450 / 3xXNH1/1xXNH1	BPZ-XNH1X-3/1-800-MV	184553	1
400 / 450 / 1xXNH2/-	BPZ-XNH2-1/X-400-MV	184554	1
600 / 450 / 2xXNH2/-	BPZ-XNH2X-2/X-600-MV	184555	1
800 / 450 / 3xXNH2/-	BPZ-XNH2X-3/X-800-MV	184556	1
600 / 450 / 1xXNH3/-	BPZ-XNH3-1/0-600-MV	184557	1
800 / 450 / 2xXNH3/1xXNH3	BPZ-XNH3X-2/1-800-MV	184558	1

White

wa_vt04616



wa_vt04516



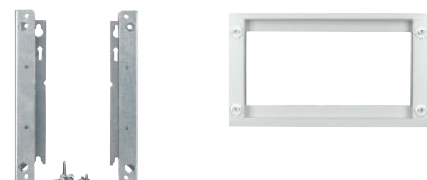
400 / 300 / 2xXNH00/1xXNH00	BPZ-XNH00X-2/1-400-MV-W	184559	1
600 / 300 / 4xXNH00/1xXNH00	BPZ-XNH00X-4/1-600-MV-W	184560	1
800 / 300 / 6xXNH00/1xXNH00	BPZ-XNH00X-6/1-800-MV-W	184561	1
400 / 450 / 1xXNH1/-	BPZ-XNH1-1/0-400-MV-W	184562	1
600 / 450 / 2xXNH1/1xXNH1	BPZ-XNH1X-2/1-600-MV-W	184563	1
800 / 450 / 3xXNH1/1xXNH1	BPZ-XNH1X-3/1-800-MV-W	184564	1
400 / 450 / 1xXNH2/-	BPZ-XNH2-1/X-400-MV-W	184565	1
600 / 450 / 2xXNH2/-	BPZ-XNH2X-2/X-600-MV-W	184566	1
800 / 450 / 3xXNH2/-	BPZ-XNH2X-3/X-800-MV-W	184519	1
600 / 450 / 1xXNH3/-	BPZ-XNH3-1/0-600-MV-W	184520	1
800 / 450 / 2xXNH3/1xXNH3	BPZ-XNH3X-2/1-800-MV-W	184521	1

Width (mm) / Height (mm) / max. number of 3-pole XNH of the same size	Type Designation	Article No.	Units per package
---	------------------	-------------	-------------------

Mounting Set for 3-pole IEC Busbar Support 630A SASY 60i prepared for installation of NH Fuse Switch Disconnecter XNH00 on a 60 mm busbar

- mounting on the base frame
- set includes mounting brackets (carrier rail) and steel front panel with a universal cut-out
- Empty-space Cover AM-195/54 can be used where necessary
- SASY support and copper rail are not included in the scope of delivery

VT25106, VT25206



BPZ-BR/SASY/H-400

VT24906, VT25006



BPZ-BR/SASY/H-1200

400 / 300 / 2xXNH00	BPZ-BR/SASY/H-400	108378	1
600 / 300 / 4xXNH00	BPZ-BR/SASY/H-600	108379	1
800 / 300 / 5xXNH00	BPZ-BR/SASY/H-800	108380	1
1000 / 300 / 6xXNH00	BPZ-BR/SASY/H-1000	108381	1
1200 / 300 / 8xXNH00	BPZ-BR/SASY/H-1200	108382	1

Width (mm) / Height (mm) / max. number of 3-pole XNH of the same size	Type Designation	Article No.	Units per package
--	---------------------	-------------	----------------------

Front Panel for NH Fuse Switch Disconnecter XNH installed on a 60 mm (SASY 60i) busbar at the base frame

- for size 160 A to 630 A (3 pole)
- mounting on the base frame (busbar carriers are directly fixed on the rear set-up struts)
- Front panel incl. empty-space cover for installation of devices of the same size
- when using devices of different sizes the cover needs to be adjusted individually
- SASY support and copper rail are not included in the scope of delivery

wa_vt04316



400 / 450 / 1xXNH1/1xXNH2	BPZ-FP-XNH1/2/SASY-400-MV	184522	1
600 / 450 / 2xXNH1/2xXNH2/1xXNH3	BPZ-FP-XNH1/2/3/SASY-600-MV	184523	1
800 / 450 / 3xXNH1/3xXNH2/2xXNH3	BPZ-FP-XNH1/2/3/SASY-800-MV	184524	1

Poles / Width / Height (mm)	Type Designation	Article No.	Units per package
-----------------------------	---------------------	-------------	----------------------

Mounting Set for IEC Busbar Support 630A SASY 60i, BPZ-BR/SASY/H...

- for MSW application
- for the 5 pole version - 2 front panels (300 mm and 150 mm)
- 1 to 5 poles available
- Set consisting of mounting brackets, SASY support, copper busbar, front panel

wa_vt73913



1 / 400 / 100	BPZ-BR/SASY/MSW/H-1/400	152837	1
1 / 600 / 100	BPZ-BR/SASY/MSW/H-1/600	152838	1
1 / 800 / 100	BPZ-BR/SASY/MSW/H-1/800	152839	1
1 / 1000 / 100	BPZ-BR/SASY/MSW/H-1/1000	153020	1
1 / 1200 / 100	BPZ-BR/SASY/MSW/H-1/1200	153021	1
2 / 400 / 200	BPZ-BR/SASY/MSW/H-2/400	120699	1
2 / 600 / 200	BPZ-BR/SASY/MSW/H-2/600	120700	1
2 / 800 / 200	BPZ-BR/SASY/MSW/H-2/800	120701	1
2 / 1000 / 200	BPZ-BR/SASY/MSW/H-2/1000	120702	1
2 / 1200 / 200	BPZ-BR/SASY/MSW/H-2/1200	120703	1
3 / 400 / 300	BPZ-BR/SASY/MSW/H-3/400	120704	1
3 / 600 / 300	BPZ-BR/SASY/MSW/H-3/600	120705	1
3 / 800 / 300	BPZ-BR/SASY/MSW/H-3/800	120706	1
3 / 1000 / 300	BPZ-BR/SASY/MSW/H-3/1000	120707	1
3 / 1200 / 300	BPZ-BR/SASY/MSW/H-3/1200	120708	1
4 / 400 / 300	BPZ-BR/SASY/MSW/H-4/400	120709	1
4 / 600 / 300	BPZ-BR/SASY/MSW/H-4/600	120710	1
4 / 800 / 300	BPZ-BR/SASY/MSW/H-4/800	120711	1
4 / 1000 / 300	BPZ-BR/SASY/MSW/H-4/1000	120712	1
4 / 1200 / 300	BPZ-BR/SASY/MSW/H-4/1200	120713	1
5 / 400 / 450	BPZ-BR/SASY/MSW/H-5/400	120714	1
5 / 600 / 450	BPZ-BR/SASY/MSW/H-5/600	120715	1
5 / 800 / 450	BPZ-BR/SASY/MSW/H-5/800	120716	1
5 / 1000 / 450	BPZ-BR/SASY/MSW/H-5/1000	120717	1
5 / 1200 / 450	BPZ-BR/SASY/MSW/H-5/1200	120718	1

Width / Height (mm)	Type Designation	Article No.	Units per package
---------------------	---------------------	-------------	----------------------

Mounting Plate for IEC Busbar Support 630A SASY 60i, BPZ-MPLSASY

- with pre-prepared mounting holes for SASY 60i
- SASY support and copper busbar to be ordered separately

VT01208



425 / 250 *)	BPZ-MPLSASY-425	114829	1
600 / 250	BPZ-MPLSASY-600	114830	1
800 / 250	BPZ-MPLSASY-800	114831	1
1000 / 250	BPZ-MPLSASY-1000	114832	1
1200 / 250	BPZ-MPLSASY-1200	114833	1

*) only for mounting in XVTL

Width (mm) / Height (mm) / Phases	Type Designation	Article No.	Units per package
-----------------------------------	------------------	-------------	-------------------

Mounting Set for Disjoncteur d'abonné, BPZ-KIT-PD

Grey

VT08605, VT08705



600 / 350 / 1	BPZ-KIT-PD-600	293611	1
600 / 650 / 3	BPZ-KIT-PD3-600	102469	1

White

600 / 350 / 1	BPZ-KIT-PD-600-W	293612	1
600 / 650 / 3	BPZ-KIT-PD3-600-W	102470	1

Rated Current (A) / Height (mm)	Type Designation	Article No.	Units per package
---------------------------------	------------------	-------------	-------------------

Mounting Set for Yellow Tarification, BPZ-KIT-TJ

- 250 A and 400 A
- prepared for Socomec switch together with NZM2 ("250 A") or NZM3 ("400 A") Socomec lateral to NZM; screws included
- for boxes of 600 mm width

Grey

VT08905, VT08805



250 / 400	BPZ-KIT-TJ-250A-600	286768	1
400 / 450+500	BPZ-KIT-TJ-400A-600	286769	1

White

250 / 400	BPZ-KIT-TJ-250A-600-W	292481	1
400 / 450+500	BPZ-KIT-TJ-400A-600-W	292482	1

Type Designation	Article No.	Units per package
------------------	-------------	-------------------

Sealing Angle, BPZ-PW-...

- sealing angle for IP30 Surface-Mounting board
- set includes 2 angles and 8 screws

VT01410



BPZ-PW-ZVT	120764	1
------------	--------	---

Sealing Set, BPZ-SS

- for sealing of front plates
- set consists of 4 pcs. of sealing strips, 4 pcs. of sealing screws M5 and 1 pc. of taptite screw M5

VT11408



BPZ-SS	116652	1
--------	--------	---

Sealing Screw to seal meter trough, BPZ-S

- sealing screw individually

wa_v10914



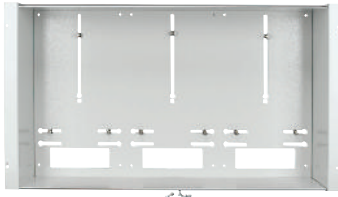
BPZ-S	120765	1
-------	--------	---

Width / Height (mm) / Meter Plates	Type Designation	Article No.	Units per package
------------------------------------	------------------	-------------	-------------------

Meter Troughs, BPZ-MT...

Grey

VT25906



400 / 400 / 1	BPZ-MT-400/400-1	108383	1
600 / 400 / 2	BPZ-MT-600/400-2	108384	1
800 / 400 / 3	BPZ-MT-800/400-3	108385	1
1000 / 400 / 4	BPZ-MT-1000/400-4	108386	1
1200 / 400 / 5	BPZ-MT-1200/400-5	108387	1
400 / 450 / 1	BPZ-MT-400/450-1	112293	1
600 / 450 / 2	BPZ-MT-600/450-2	112294	1
800 / 450 / 3	BPZ-MT-800/450-3	112295	1
1000 / 450 / 4	BPZ-MT-1000/450-4	112296	1
1200 / 450 / 5	BPZ-MT-1200/450-5	112297	1

White

400 / 400 / 1	BPZ-MT-400/400-1-W	187877	1
600 / 400 / 2	BPZ-MT-600/400-2-W	187878	1
800 / 400 / 3	BPZ-MT-800/400-3-W	187879	1
1000 / 400 / 4	BPZ-MT-1000/400-4-W	187880	1
1200 / 400 / 5	BPZ-MT-1200/400-5-W	187881	1

Description	Type Designation	Article No.	Units per package
-------------	------------------	-------------	-------------------

Accessories - DIN-Rail Set instead of Meter Plates left or right

Grey

wa_vt14613



for height 400 mm	BPZ-DRS-MT/400-1	108388	1
for height 450 mm	BPZ-DRS-MT/450-1	116042	1

White

for height 400 mm	BPZ-DRS-MT/400-1-W	188238	1
-------------------	--------------------	--------	---

Accessories - Standard Meter Plate

wa_vt14613



370 x 210 mm	ZBR	279261	1
--------------	-----	--------	---

Width / Height (mm) / Meter Plates	Type Designation	Article No.	Units per package
------------------------------------	------------------	-------------	-------------------

Meter Troughs, assembled with Meter Plates, BPZ-MT...-A

VT25806



400 / 450 / 1	BPZ-MT-400/450-1-A	112298	1
600 / 450 / 2	BPZ-MT-600/450-2-A	112299	1
800 / 450 / 3	BPZ-MT-800/450-3-A	112340	1
1000 / 450 / 4	BPZ-MT-1000/450-4-A	112341	1
1200 / 450 / 5	BPZ-MT-1200/450-5-A	112342	1

Meter Troughs Switzerland,, BPZ-MT...-CH

VT25706



400 / 450 / 1	BPZ-MT-400/450-1-CH	109164	1
600 / 450 / 1	BPZ-MT-600/450-1-CH	109165	1
800 / 450 / 2	BPZ-MT-800/450-2-CH	109166	1
1000 / 450 / 3	BPZ-MT-1000/450-3-CH	109167	1
1200 / 450 / 4	BPZ-MT-1200/450-4-CH	109168	1

Meter Troughs, BPZ-MT-MSW...

VT25806



400 / 400 / 1	BPZ-MT-MSW-400/400-1-A	120767	1
400 / 425 / 1	BPZ-MT-MSW-400/425-1-A	120768	1
600 / 400 / 2	BPZ-MT-MSW-600/400-2-A	120769	1
600 / 425 / 2	BPZ-MT-MSW-600/425-2-A	120770	1
800 / 400 / 3	BPZ-MT-MSW-800/400-3-A	120771	1
800 / 425 / 3	BPZ-MT-MSW-800/425-3-A	120772	1
1000 / 400 / 4	BPZ-MT-MSW-1000/400-4-A	120773	1
1000 / 425 / 4	BPZ-MT-MSW-1000/425-4-A	120774	1
1200 / 400 / 5	BPZ-MT-MSW-1200/400-5-A	120775	1
1200 / 425 / 5	BPZ-MT-MSW-1200/425-5-A	120776	1

Counter Wire Protection, BPZ-ZDS

- plastic cover (PVC)

125 / 425 (400) / 1	BPZ-ZDS-1	144879	1
335 / 425 (400) / 2	BPZ-ZDS-2	144880	1
545 / 425 (400) / 3	BPZ-ZDS-3	144881	1
670 / 425 (400) / 4	BPZ-ZDS-2 (2x)	144880 (2x)	1
880 / 425 (400) / 5	BPZ-ZDS-2 + BPZ-ZDS-3	144880	1
		+144881	1

DIN Rail Set, BPZ-DRS-MT-MSW

VT00810



1000 / 400 / 2	BPZ-DRS-MT-MSW-1000/400-2-A	120777	1
1000 / 425 / 2	BPZ-DRS-MT-MSW-1000/425-2-A	120778	1
1200 / 400 / 2	BPZ-DRS-MT-MSW-1200/400-2-A	120779	1
1200 / 425 / 2	BPZ-DRS-MT-MSW-1200/425-2-A	120780	1
1200 / 400 / 3	BPZ-DRS-MT-MSW-1200/400-3-A	120781	1
1200 / 425 / 3	BPZ-DRS-MT-MSW-1200/425-3-A	120782	1

Width (mm)	Type Designation	Article No.	Units per package
------------	---------------------	-------------	----------------------

Cable Strain Relief C-Profile, BPZ-KAS

- mounting on the base frame

wa_vt08913



400	BPZ-KAS-400	106440	1
600	BPZ-KAS-600	106441	1
800	BPZ-KAS-800	106442	1
1000	BPZ-KAS-1000	106443	1
1200	BPZ-KAS-1200	106444	1

Cable Ø (mm)	Type Designation	Article No.	Units per package
--------------	---------------------	-------------	----------------------

Cable Clamps, NWS-K/AC

- mounting onto BPZ-KAS

wa_mt09013



12-16	NWS-K/AC16	255197	1
16-20	NWS-K/AC20	255198	1
20-24	NWS-K/AC24	255199	1
24-28	NWS-K/AC28	255200	1
36-40	NWS-K/AC40	255201	1
48-52	NWS-K/AC52	255202	1

Width (mm) / Assembly	Type Designation	Article No.	Units per package
-----------------------	---------------------	-------------	----------------------

Terminal Support Bar, BPZ-TSB

- mounting on the corner towers BPZ-CTS-S and BPZ-CTS-L

wa_vt09313



400 / max. 1x BPZ-KTH-KSK	BPZ-TSB-400	106447	1
600 / max. 2x BPZ-KTH-KSK	BPZ-TSB-600	106448	1
800 / max. 2x BPZ-KTH-KSK	BPZ-TSB-800	106449	1
1000 / max. 3x BPZ-KTH-KSK	BPZ-TSB-1000	106450	1
1200 / max. 4x BPZ-KTH-KSK	BPZ-TSB-1200	106451	1

Pre-assembled with screwable terminal rails KL-.. up to 35 mm² for ground connection

400 / 1x KL-29 + 2x KLA	BPZ-TSB-400/1KL29	187872	1
600 / 2x KL-29 + 4x KLA	BPZ-TSB-600/2KL29	187873	1
800 / 2x KL-45 + 4x KLA	BPZ-TSB-800/2KL45	187874	1
1000 / 2x KL-60 + 4x KLA	BPZ-TSB-1000/2KL60	187875	1
1200 / 3x KL-45 + 6x KLA	BPZ-TSB-1200/3KL45	187876	1

Width x Height x Depth (mm) / Version	Type Designation	Article No.	Units per package
---------------------------------------	---------------------	-------------	----------------------

Holder for Terminal Carrier, BPZ-KTH-KSK-F1(-F2)

- holder for combination plug-in terminal KSK using terminal carrier
- for mounting on terminal support bar BPZ-TSB
- to be used in combination with terminal carrier empty KSK-KLV or equipped

244 x 26 x 33 / single-storied	BPZ-KTH-KSK-F1	190041	1
244 x 40 x 55 / two-storied	BPZ-KTH-KSK-F2	190042	1

Terminal Carrier empty, KSK-KLV

- for mounting of the combined plug-type terminal KSK

vt119114








up to 4x KSK-N and/or 4x KSK-PE	KSK-KLV	178905	1/10
---------------------------------	---------	--------	------

Can be used for	Description	Type designation	Article No.	Pack (pcs.)
-----------------	-------------	------------------	-------------	-------------



Additional equipment/spare parts for terminal equipment

- Combined plug-type terminal with plug-in terminal points for 0.5-4 mm² round conductors and screw-type terminal points for 2.5-25 mm² round conductors
- Terminal carriers KSK-KLV can be expanded by up to 4 individual N blocks for separate RCD protective circuits, or by additional PE blocks
- Terminal carriers are easy to snap on without any tools
- Finger proof IP2X

Equipped combined plug-type terminal KSK



 vt118414	1x N potential 1x PE potential	N/PE comb. plug-type terminal 2x 2.5-25 mm ² each and 14x 0.5-4 mm ² each	KSK-2N/2PE-KLV	178898	1
 vt118514	1x N potential	N comb. plug-type terminal 4x 2.5-25 mm ² and 28x 0.5-4 mm ²	KSK-4N-KLV	178899	1
 vt118614	2x N potential	N/N comb. plug-type terminal 4x 2.5-25 mm ² and 28x 0.5-4 mm ²	KSK-3N/1N-KLV	178900	1
 vt118714	2x N potential	N/N comb. plug-type terminal 4x 2.5-25 mm ² and 28x 0.5-4 mm ²	KSK-2N/2N-KLV	178901	1
 vt118814	1x PE potential	PE comb. plug-type terminal 4x 2.5-25 mm ² and 28x 0.5-4 mm ²	KSK-4PE-KLV	178902	1

Individual combined plug-type terminal KSK



 vt119014	1x N potential	N comb. plug-type terminal 1x 2.5-25 mm ² 7x 0.5-4 mm ²	KSK-N	178903	1/10
 vt118914	1x PE potential	PE comb. plug-type terminal 1x 2.5-25 mm ² 7x 0.5-4 mm ²	KSK-PE	178904	1/10

Terminal Points / Description	Type Designation	Article No.	Units per package
-------------------------------	------------------	-------------	-------------------

Terminal Supports, KT

 vt01705	horizontal	KT-3	275445	1
 vt01805	vertical	KT-5	275447	1

Terminal Strips, KL

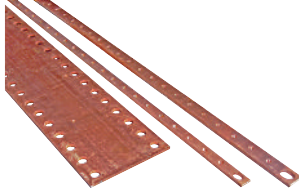
 vt28015	4	KL-4	219723	1
	7	KL-7	219724	1
	11	KL-11	219725	1
	15	KL-15	219726	1
	25	KL-25	219727	1
	29	KL-29	275449	1
	45	KL-45	275450	1
	60	KL-60	275451	1
	76	KL-76	102066	1
1 meter	KLM	275452	1	
 vt24715	Connection terminal for 35 mm ²	KLA	275453	1

General Accessories

Height x Thickness x Length (mm) / Thread / Rated Current	Type Designation	Article No.	Units per package
---	------------------	-------------	-------------------

Busbar with Thread, BPZ-BB/T

wa_vt01715

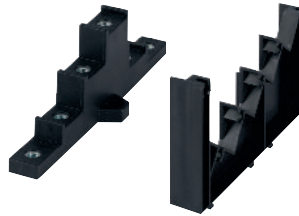


15 x 5 x 1000 / M6 / 218 A	BPZ-BB/T-15/5/1000	289861	4
20 x 5 x 1000 / M6 / 274 A	BPZ-BB/T-20/5/1000	289862	4
32 x 5 x 1000 / M6 / 400 A	BPZ-BB/T-32/5/1000	289863	4
15 x 5 x 2000 / M6 / 218 A	BPZ-BB/T-15/5/2000	289864	4
20 x 5 x 2000 / M6 / 274 A	BPZ-BB/T-20/5/2000	289865	4
30 x 5 x 2000 / M6 / 379 A	BPZ-BB/T-30/5/2000	179498	4
30 x 10 x 1000 / M8 / 573 A	BPZ-BB/T-30/10/1000	289867	4

Rated Current (A) / Rail Dimensions (mm)	Type Designation	Article No.	Units per package
--	------------------	-------------	-------------------

4 pole Busbar Support,, BPZ-BBS4

VT30614, VT30514



160-250 / 15x5 and 20x5	BPZ-BBS-4/250	289868	10
160-630 / 15x5 up to 30x10	BPZ-BBS-4/630	289869	2

Length x Width x Height (mm)	Type Designation	Article No.	Units per package
------------------------------	------------------	-------------	-------------------

Protective Cover for BPZ-BBS-4/250

- Material: PVC

vt05115



800 x 160 x 25	BPZ-PC/BBS250/800-160-25	177326	1
----------------	--------------------------	--------	---

Width (mm)	Type Designation	Article No.	Units per package
------------	------------------	-------------	-------------------

Mounting elements for 4 pole Busbar Support 250 A

- pair
- horizontal mounting in the 200 mm compartment, vertical busbar

VT36414



200	BPZ-BR/BBS250/V-200	173652	1
-----	---------------------	--------	---

Mounting elements for 4 pole Busbar Support 250/630 A

- pair
- horizontal mounting in the 400 mm compartment, vertical busbar
- also for use as cable strain relief rail

vt05915



400	BPZ-BR/BBS630/V-400	177325	1
-----	---------------------	--------	---

Width (mm)	Type Designation	Article No.	Units per package
------------	------------------	-------------	-------------------

Mounting elements for 4 pole Busbar Support 630 A, BPZ-BR/BBS630/V

- pair
- horizontal mounting in the 400 mm compartment, vertical busbar

wa_vt04913

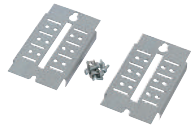


400	BPZ-BR/BBS630/V	104331	1
-----	-----------------	--------	---

Mounting elements for DIN-Rail or DIN-Rail Set, BPZ-BR/DINR/V-200

- pair
- horizontal mounting in the 200 mm compartment, vertical DIN-Rail
- mounting the DIN-Rail directly or adjustable with towers

VT36314



200	BPZ-BR/DINR/V-200	173651	1
-----	-------------------	--------	---

Width (mm) / MU	Type Designation	Article No.	Units per package
-----------------	------------------	-------------	-------------------

DIN-Rail Set, BPZ-DINR

- sets inclusive of towers and fixing elements (BEL01)

Towers - adjustable

wa_vt51613



400 / 13	BPZ-DINR13-400-T	286751	10
600 / 24	BPZ-DINR24-600-T	286753	10
800 / 35	BPZ-DINR35-800-T	286755	10
1000 / 46	BPZ-DINR46-1000-T	293590	10
1200 / 57	BPZ-DINR57-1200-T	293592	10

Towers - fixed

wa_vt51713



400 / 13	BPZ-DINR13-400-B	286752	10
600 / 24	BPZ-DINR24-600-B	286754	10
800 / 35	BPZ-DINR35-800-B	286756	10
1000 / 46	BPZ-DINR46-1000-B	293591	10
1200 / 57	BPZ-DINR57-1200-B	293593	10

Towers - fixed

- protruding DIN-Rail cutted on both sides
- for better mounting of vertical cable ducts

wa_vt04014

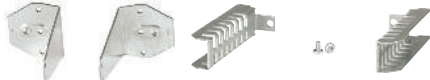


600 / 24	BPZ-DINR24S-600-B	174384	10
800 / 35	BPZ-DINR35S-800-B	174385	10

Description	Type Designation	Article No.	Units per package
-------------	------------------	-------------	-------------------

Towers, BPZ-T

wa_vt08314, wa_vt61413



fixed	BPZ-TF/2	116651	1 pair
adjustable	BPZ-TA/2	116650	1 pair

Description	Type Designation	Article No.	Units per package
-------------	------------------	-------------	-------------------

Fastening Elements, BEL

- BEL12: insulated, pre-mounted (grout screws)
- BEL01: for conductive connection, pre-mounted (grout screws)
- BEL12A: insulated, delivery in component parts

Pairs

wa_nt19713



white	BEL12	275199	1 pair
green	BEL01	275200	1 pair

wa_nt19713



white	BEL12A	275201	1 pair
-------	--------	--------	--------

200 pcs. loose parts in the box

wa_nt19713



white	BEL12-E	237837 *)	200 Stk.
green	BEL01-E	237836 *)	200 Stk.

*) Article No. and price per piece

Support Plate, STL / Adapter, SAA

- for mounting LTS-00 type HRC load breakers in series onto mounting support rails of different heights
- for mounting of PE/PEN busbars and nonstandard components onto fastening elements BEL

Grey

wa_vt39713



Support plate (set of 2 pieces)	STL-1	275427	1
Support plate (set of 2 pieces)	STL-2	275428	1

wa_vt42813



Adapter (set of 4 pieces)	SAA	275429	1
---------------------------	-----	--------	---

Width (mm) / MU	Type Designation	Article No.	Units per package
-----------------	------------------	-------------	-------------------

DIN-Rail, BPZ-DINR

wa_vt51813



400 / 13	BPZ-DINR13-400	293594	10
600 / 24	BPZ-DINR24-600	293595	10
800 / 35	BPZ-DINR35-800	293596	10
1000 / 46	BPZ-DINR46-1000	293597	10
1200 / 57	BPZ-DINR57-1200	293598	10

Width (mm) / MU / for width of cable duct (mm)	Type Designation	Article No.	Units per package
--	------------------	-------------	-------------------

DIN-Rail, BPZ-TSK

- DIN-Rail cutted on one side
- enable fixing of vertical cable ducts on one side

VT106214



600 / 23 / 40	BPZ-TSK-600/40	151166	10
600 / 22 / 60	BPZ-TSK-600/60	151167	10
600 / 21 / 80	BPZ-TSK-600/80	151168	10
800 / 34 / 40	BPZ-TSK-800/40	151169	10
800 / 33 / 60	BPZ-TSK-800/60	151170	10
800 / 32 / 80	BPZ-TSK-800/80	151171	10
1000 / 45 / 40	BPZ-TSK-1000/40	151172	10
1000 / 44 / 60	BPZ-TSK-1000/60	151173	10
1000 / 43 / 80	BPZ-TSK-1000/80	151174	10
1200 / 56 / 40	BPZ-TSK-1200/40	151175	10
1200 / 55 / 60	BPZ-TSK-1200/60	151176	10
1200 / 54 / 80	BPZ-TSK-1200/80	151177	10

Type Designation	Article No.	Units per package
------------------	-------------	-------------------

Cable Duct Angles, KKW

- for MSW mounting
- enable fixing of vertical cable ducts
- KKW-40 for 60 mm cable ducts
- KKW-DIN for 80 mm cable ducts
- DIN-Rail has to be shortened

wa_vt39513



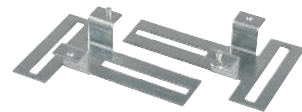
KKW-40	275242	1
KKW-DIN	275243	1

Height (mm)	Type Designation	Article No.	Units per package
-------------	------------------	-------------	-------------------

Fixing Material for Cable Duct, BPZ-CDB

- mounting on main frame
- enable fixing of vertical and horizontal cable ducts
- for boards of width 400, 600

wa_vt07013



8	BPZ-CDB	102471	1
23	BPZ-CDB23	105216	1
58	BPZ-CDB58	109169	1

Fixing Material for Cable Duct C-Profile, BPZ-CDB../CP

- mounting on main frame
- enable fixing of vertical and horizontal cable ducts
- for boards of width 600, 800, 1000, 1200
- in combination with C-Profil Rail BPZ-CP...

VT11108



8	BPZ-CDB8/CP	116915	1
23	BPZ-CDB23/CP	116916	1
58	BPZ-CDB58/CP	116917	1

- for better mounting of vertical cable ducts
- in combination with DIN-Rail Set BPZ-DINR..S-...-B (DIN-Rail shortened)

VT106614, VT106514



BPZ-CDB08/CP

BPZ-CDB49/CP

8	BPZ-CDB08/CP	174386	1
49	BPZ-CDB49/CP	174387	1

Description	Type Designation	Article No.	Units per package
-------------	------------------	-------------	-------------------

Accessories for Cable Duct Fixing, BPZ-ZP

- for direct mounting of the cable duct at the C-profile rail (ZP2) or to the mounting elements BPZ-CDB... (ZP1)

100 pcs. in bag	BPZ-ZP1	184980	1
50 pcs. in bag	BPZ-ZP2	184981	1

Width (mm)	Type Designation	Article No.	Units per package
------------	------------------	-------------	-------------------

C-Profil Rail for Cable Duct Angles, BPZ-CP

VT11008



400	BPZ-CP-400	116918	10
600	BPZ-CP-600	116919	10
800	BPZ-CP-800	116920	10
1000	BPZ-CP-1000	116921	10
1200	BPZ-CP-1200	116922	10

Aluminum Rail for vertical interior fittings, BPZ-MAH

- enable fixing of busbar support and other devices

wa_vt11014



400	BPZ-MAH-400	154953	10
600	BPZ-MAH-600	154954	10
800	BPZ-MAH-800	154955	10
1000	BPZ-MAH-1000	154956	10
1200	BPZ-MAH-1200	154957	10

Outputs L1/L2/L3 / N / Width (mm)	Type Designation	Article No.	Units per package
-----------------------------------	------------------	-------------	-------------------

4-Phasen Sammelschiene, BPZ-KB-12/250, BPZ-KB-24/250

- prepared for a quick and easy wiring by means of plug-in contacts
- 63 A max. rated current per outlet

wa_vt16514



6 / 12 / 233	BPZ-KB-12/250	184977	1
12 / 24 / 422	BPZ-KB-24/250	289971	1

Mounting elements for 4 phase Busbar, BPZ-KB-24/250

- suitable for mounting in the 600/800 mm wide compartment

VT07805



1 pair	BPZ-BR/KB24	102477	1
--------	-------------	--------	---

Colour / Length	Type Designation	Article No.	Units per package
-----------------	------------------	-------------	-------------------

Flexible Connector for 4 phase Busbar, BPZ-P

VT18705



6 mm²			
black / 120 mm	BPZ-P/L-6/120	102692	10
blue / 120 mm	BPZ-P/N-6/120	102693	10
black / 320 mm	BPZ-P/L-6/320	102696	10
blue / 320 mm	BPZ-P/N-6/320	102697	10
10 mm²			
black / 120 mm	BPZ-P/L-10/120	102694	10
blue / 120 mm	BPZ-P/N-10/120	102695	10
black / 320 mm	BPZ-P/L-10/320	102698	10
blue / 320 mm	BPZ-P/N-10/320	102699	10

Cross section (mm ²)	Type Designation	Article No.	Units per package
----------------------------------	------------------	-------------	-------------------

Connector with Insulated Crimp, BPZ-P/C

wa_vt15114, wa_vt15014, wa_vt15214



1.5 - 2.5	BPZ-P/C-1.5/2.5	178396	1
4 - 6	BPZ-P/C-4/6	102700	1
6 - 10	BPZ-P/C-6/10	178397	1

Rated current (A) / Output Terminals	Type Designation	Article No.	Units per package
--------------------------------------	------------------	-------------	-------------------

1 pole Terminal Blocks, BPZ-KB

wa_vt16214, wa_vt15414, wa_vt16014



BPZ-KB-4/80 BPZ-KB-2/11/160 BPZ-KB-6/400

Mounting onto DIN-rail and mounting plate

80 / 6	BPZ-KB-4/80	289969	1
125 / 6	BPZ-KB-6/125	102714	1
125 / 8	BPZ-KB-2/8/125	178398	1
160 / 6	BPZ-KB-6/160	289970	1
160 / 11	BPZ-KB-2/11/160	178399	1
175 / 10	BPZ-KB-10/175	102715	1
250 / 11	BPZ-KB-11/250	289967	1
400 / 2	BPZ-KB-2/400	178401	1
400 / 6	BPZ-KB-6/400	178400	1
400 / 11	BPZ-KB-11/400	102713	1

wa_vt12914, wa_vt13414, wa_vt13814



BPZ-KB-6/80-ALU BPZ-KB-10/175-ALU BPZ-KB-2/400-ALU

Mounting onto DIN-rail and mounting plate, type aluminium

80 / 6	BPZ-KB-6/80-ALU	102702	1
125 / 6	BPZ-KB-6/125-ALU	102703	1
160 / 6	BPZ-KB-6/160-ALU	102704	1
175 / 1	BPZ-KB-1/175-ALU	102709	1
175 / 10	BPZ-KB-10/175-ALU	102707	1
250 / 11	BPZ-KB-11/250-ALU	102705	1
400 / 1	BPZ-KB-1/400-ALU	102710	1
400 / 2	BPZ-KB-2/400-ALU	178403	1
400 / 6	BPZ-KB-6/400-ALU	178402	1
400 / 11	BPZ-KB-11/400-ALU	102706	1
800 / 2	BPZ-KB-1/2/800-ALU	102712	1
800 / 2	BPZ-KB-2/2/800-ALU	102711	1
1100 / 2	BPZ-KB-2/1100-ALU	178404	1

wa_vt12914, wa_vt13414, wa_vt13314



BPZ-KB-11/400-ALU BPZ-KB-1/2/800-ALU BPZ-KB-2/1100-ALU

Dimensions LxWxH (mm) / Suitable for	Type Designation	Article No.	Units per package
--------------------------------------	------------------	-------------	-------------------

Connection Latch for 1 pole Terminal Block, BPZ-CL

wa_vt14714



7x65x25 / Art.-No. 289967	BPZ-CL-65/25	102720	10
9x70x30 / Art.-No. 102713	BPZ-CL-70/30	102721	10

Connection Bar 27 mm for 1 pole Terminal Block, BPZ-CB

wa_vt08313



16x44x14 / Art.-No. 102714	BPZ-CB-44/14	102722	10
----------------------------	--------------	--------	----

Rated current (A) / Inputs / Outputs	Type Designation	Article No.	Units per package
--------------------------------------	------------------	-------------	-------------------

3 pole Terminal Block, BPZ-KB/6/175

wa_vt13514



Mounting onto DIN-rail and mounting plate

175 / 1 / 6	BPZ-KB-6/175	102717	1
-------------	--------------	--------	---

Mounting onto DIN-rail and mounting plate, type aluminium

175 / 1 / 6	BPZ-KB-6/175-ALU	102708	1
-------------	------------------	--------	---

Rated current (A) / Inputs / Outputs	Type Designation	Article No.	Units per package
--------------------------------------	------------------	-------------	-------------------

4 pole Terminal Blocks, BPZ-KB

wa_vt16114



125 / 1x(L1/L2/L3/N) / 7x(L1/L2/L3), 10xN	BPZ-KB-8/125	289968	1
125	BPZ-KB-9/125	102718	1
125	BPZ-KB-13/125	102719	1

wa_vt14314



160 / 1x(L1/L2/L3/N) / 11x(L1/L2/L3/N)	BPZ-KB-11/160	102716	1
--	---------------	--------	---

Description	Type Designation	Article No.	Units per package
-------------	------------------	-------------	-------------------

Wall Angle Bracket Set, for Floor Standing Board

- for IP30 and IP54 Floor Standing Board
- Satz besteht aus 2 Winkel and Montagezubehör

VT28610

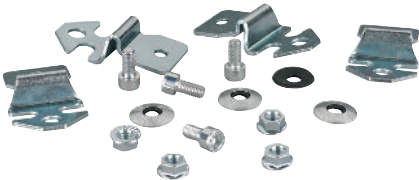


	BPZ-WW	142474	1
--	--------	--------	---

Wall Angle Bracket Set, for Moisture Proof-Surface Mounting Installation Board

- for IP54 Surface Mounting Boards
- for fixing the enclosures on the wall
- vertical or horizontal mounting
- zinc coated Steel Sheet 3 mm
- one set includes 4 wall-mounting angles plus mounting accessories

VT03010



	WFB-SET-CS	112639	1
--	------------	--------	---

Lifting-Eye Bolt, BPZ-LE

VT1698



	BPZ-LE	286770	1
--	--------	--------	---

Flask with Brush Applicator, Z-CPS, PAINT-RAL

VT09405



RAL 7035, 30ml	BPZ-CPS-7035	286771	1
RAL 9016, 30ml	PAINT-RAL9016	288948	1

Description	Type Designation	Article No.	Units per package
-------------	------------------	-------------	-------------------

Spray BPZ-SPRAY-7035

VT12208



Spray RAL 7035, 400ml	BPZ-SPRAY-7035	116678	1
-----------------------	----------------	--------	---

Cross section (mm ²) / Lenght (mm)	Type Designation	Article No.	Units per package
--	------------------	-------------	-------------------

Door Grounding Set, BFZ-DES

VT19305



6 / 300	BFZ-DES	101665	1
---------	---------	--------	---

Description	Type Designation	Article No.	Units per package
-------------	------------------	-------------	-------------------

Fixing Material, EGM, KM-6

wa_vt38713



Fixing cage (set of 100 pieces)	EGM-F	275417	1
Slide nut M4 (set of 100 pieces)	EGM-4	275418	1
Slide nut M5 (set of 100 pieces)	EGM-5	275419	1

Thread / Lenght (mm)	Type Designation	Article No.	Units per package
----------------------	------------------	-------------	-------------------

Screws, BPZ-S-...

- M5x12 (standard screw of the board)
- M4x8 (flange plate)

wa_vt10103



M5 / 12	BPZ-S-M5x12	120719	20
M4 / 8	BPZ-S-M4x8	120720	20

Description	Type Designation	Article No.	Units per package
-------------	------------------	-------------	-------------------

Locks, 61005

- Type SS-KS-61005: lock and key set 61005
- number of locks required per door in the technic part!

wa_v136813



Lock and key set 61005	SS-KS-61005	275422	1
Metal key 61005	MS-61005	275423	1
Plastic key 61005	KS-61005	275424	1

Replacement Clip-down Handle for standard half-cylinder length 40 mm

VT12108



1-point locking with tongue

Clip-down handle Softline short	BPZ-SH	116690	1
Clip-down handle Softline long	BPZ-SH-L-1P	187864	1

3-point locking with rod drive

Clip-down handle Softline long	BPZ-SH-L	131560	1
--------------------------------	----------	--------	---

Clip-down Handle to retrofit for half-cylinder length 50 mm

1-point locking with tongue	BPZ-SH-L-1P/OLU	187865	1
3-point locking with rod	BPZ-SH-L-3P/OLU	187866	1

Replacement Hinge, BPZ-MH

- replacement for all IP43-Enclosures (type BPA-...) and IP54-Enclosures (type BPM-...)
- 1 hinge bracket incl. hinge pin

Replacement Hinge	BPZ-MH	166660	1
-------------------	--------	--------	---

Locks, BPZ-LOCK

- replacement part for all enclosures with rotary door lock or dual-bit lock
- number of locks required per door in the technic part!

VT12010, VT12010



For IP30/IP54, Surface-Mounting and Floor-Standing Distribution Boards

Dual-bit 3 mm inclusive 1 key	BPZ-LOCK/DBIT3	178405	1
Simultaneous lock cylinder inclusive 2 keys	BPZ-LOCK	102467	1

VT11808



For IP30, Surface-Mounting and Floor-Standing Distribution Boards, lock SH

Lock SH6	BPZ-LOCK/SH6METAL	116913	1
Key SH6	BPZ-KEY/SH6	116674	1

VT11908



For IP30, Surface-Mounting and Floor-Standing Distribution Boards, lock DH

Lock DH	BPZ-LOCK/DHMETAL	116914	1
Key DH	BPZ-KEY/DH	116676	1

Description	Type Designation	Article No.	Units per package
-------------	---------------------	-------------	----------------------

Profile Half-Cylinder for diverse Handles

- for rotary and clip-down ease-of-use handles
- lock-cylinder finish according to DIN 18252 and DIN EN 1303
- profile half-cylinder 10/30 with pin closures made of nickel silver
- 8-fold adjustable lock bit, 5 pairs of pins
- identical or different locking
- number of locks required per door in the technic part!

VT33610



1 Key included, keyed alike	PHZ-E10/30-GS	138574	1
3 Keys included, keyed different	PHZ-E10/30-VS	138575	1

Spare Key for Profile Half-Cylinder

- for profile half-cylinder PHZ-E...-GS

VT12510

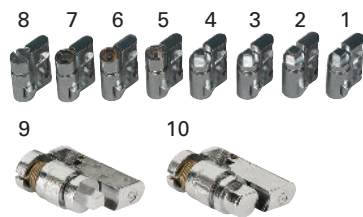


Identical locking	KEY-E10/30-GS	138576	4
-------------------	---------------	--------	---

No. of Photo / Version	Type Designation	Article No.	Units per package
------------------------	---------------------	-------------	----------------------

Lock inserts for mounting in Clip-down handles

wa_n108913 , VT11608, VT11708



1	7mm square lock insert	NWS-SHE/4K/7	255306	1
2	8mm square lock insert	NWS-SHE/4K/8	255307	1
3	7mm triangular lock insert	NWS-SHE/3K/7	255304	1
4	8mm triangular lock insert	NWS-SHE/3K/8	255305	1
5	Two-way key bit, 3mm pin	NWS-SHE/DLB/DN3	255309	1
6	Two-way key bit, 5mm pin	NWS-SHE/DLB/DN5	255310	1
7	Daimler-Benz insert	NWS-SHE/DB	255308	1
8	Screw driver-type insert	NWS-SHE/SZ	255311	1
9	Lock SH6	BPZ-LOCK/SH6	116673	1
10	Lock DH	BPZ-LOCK/DH	116675	1
-	Z-Lock incl. 2 keys	BPZ-LOCK/Z	120766	1


No. of Photo / Version	Type Designation	Article No.	Units per package
------------------------	---------------------	-------------	----------------------

Keys for Lock Inserts

N8299

1	7mm square lock insert	NWS-SL/4K/7	255314	1
2	8mm square lock insert	NWS-SL/4K/8	255315	1
3	7mm triangular lock insert	NWS-SL/3K/7	255312	1
4	8mm triangular lock insert	NWS-SL/3K/8	255313	1
5	Two-way key bit, 3mm pin	NWS-SL/DLB/3	255317	1
6	Two-way key bit, 5mm pin	NWS-SL/DLB/5	255318	1
7	Daimler-Benz	NWS-SL/DB	255316	1
-	Key SH6	BPZ-KEY/SH6	116674	1
-	Key DH	BPZ-KEY/DH	116676	1

Inscription Strip LAB-BAR

	Module units (MU)	Type Designation	Article No.	Units per package
Inscription Strip LAB-BAR				
<small>wa_vt14413</small>				
	13	LAB-BAR_13TE	107884	10
	24	LAB-BAR_24TE	107901	10
	35	LAB-BAR_35TE	107903	10
	46	LAB-BAR_46TE	107906	10
	57	LAB-BAR_57TE	107909	10

	Length (m)	Type Designation	Article No.	Units per package
--	------------	---------------------	-------------	----------------------

Holder for Inscription Strip universal, LAB-BAR

1	LAB-BAR_1000	107911	10
3	LAB-BAR_3000	107912	10

	Description	Type Designation	Article No.	Units per package
--	-------------	---------------------	-------------	----------------------

Accessories Inscription Strip LAB

Enclosure leaves for the inscription strips, LAB-TAPE_A4

empty	LAB-TAPE_A4_BLANK	107952	10
imprint	LAB-TAPE_A4_PRINT	107953	10

Circuit Diagram Bag, LAB-BAG_A4

<small>wa_vt14513</small>	Size A4	LAB-BAG_A4	107913	1
---------------------------	---------	------------	--------	---



XAB4 Circuit Diagram Box

<small>wa_vt08413</small>	A4 panel format, self-adhesive	XAB4	283482	1
---------------------------	--------------------------------	------	--------	---

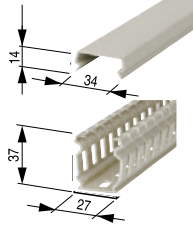


Supplied in length of (mm)	Cable carrying capacity. Max. no. of cables (approximate)	Type and cross-section		Type Designation	Article No.	Units per package
		H 0... V-K (mm ²)	H 0... V-K (AWG)			

Cable ducts

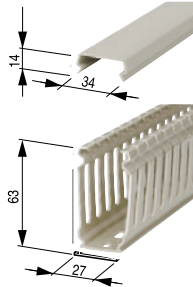
Screw fixing

00006555_0, VT08709, VT08609



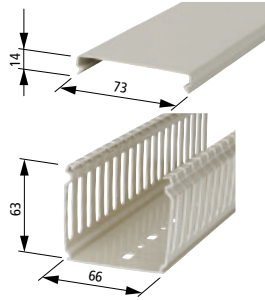
1500	60	0,75	–	KL25/35	012531	60
	40	1,5	14			
	25	2,5	10			
	15	4	–			

00006558_0, VT08709, VT08509



1500	100	0,75	–	KL25/60	017277	40
	70	1,5	14			
	45	2,5	10			
	30	4	–			
	25	6	–			

00006558_0, VT08409, VT08309

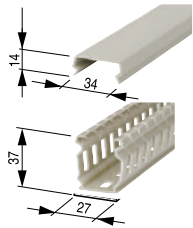


1500	260	0,75	–	KL60/60	029142	20
	180	1,5	14			
	120	2,5	10			
	80	4	–			
	65	6	–			

Self-adhesive

- max. ambient temperature +55°C

00006555_0, VT08709, VT08609

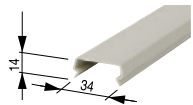


650	60	0,75	–	KL25/35K	014904	50
	40	1,5	2			
	25	2,5	10			

Cable duct cover

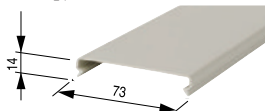
- supplied as spares

00008397_0, VT08709

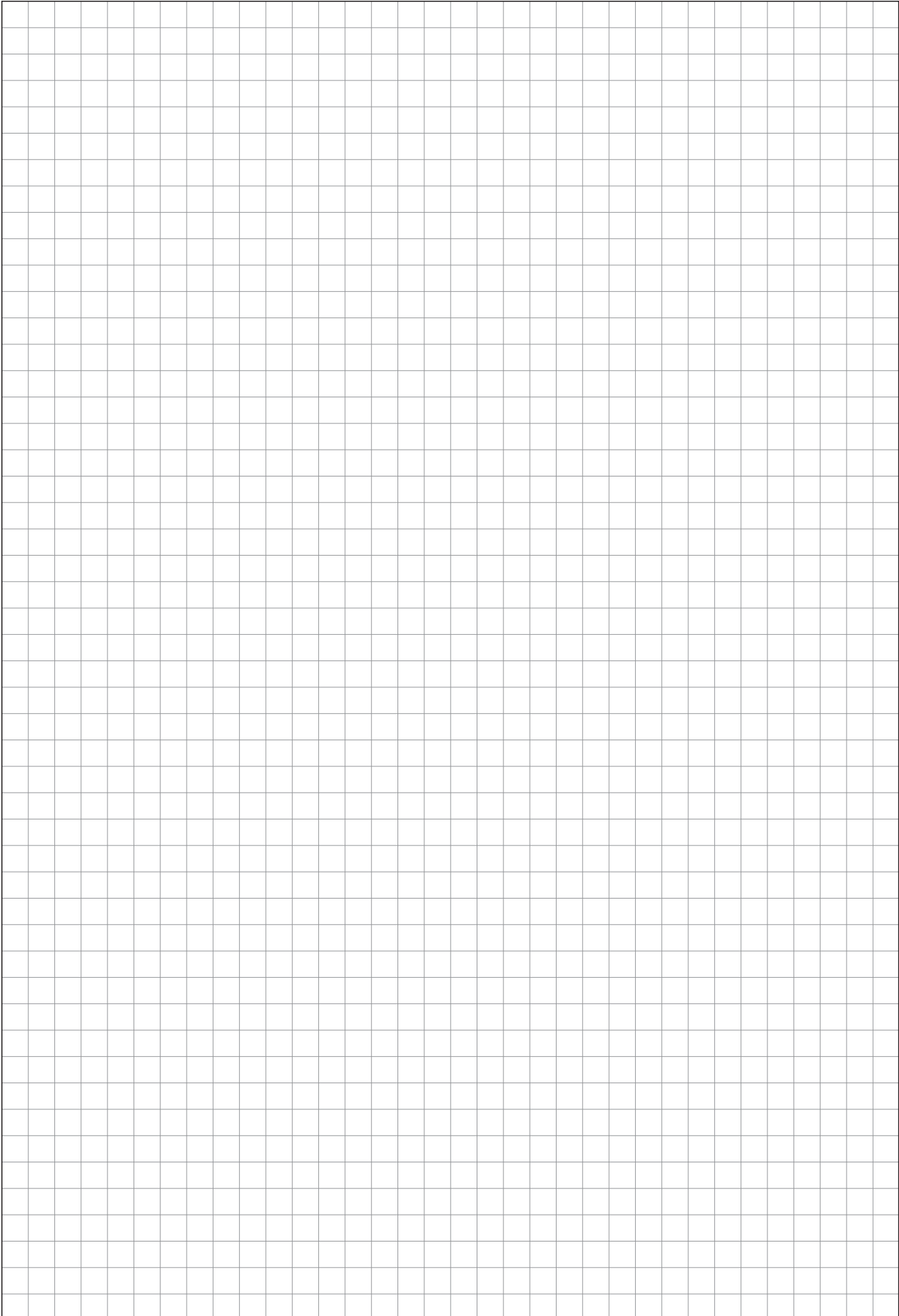


1500	–	–	–	KD25	019649	1
------	---	---	---	------	--------	---

00025953_0, VT08409



1500	–	–	–	KD60	024395	1
------	---	---	---	------	--------	---

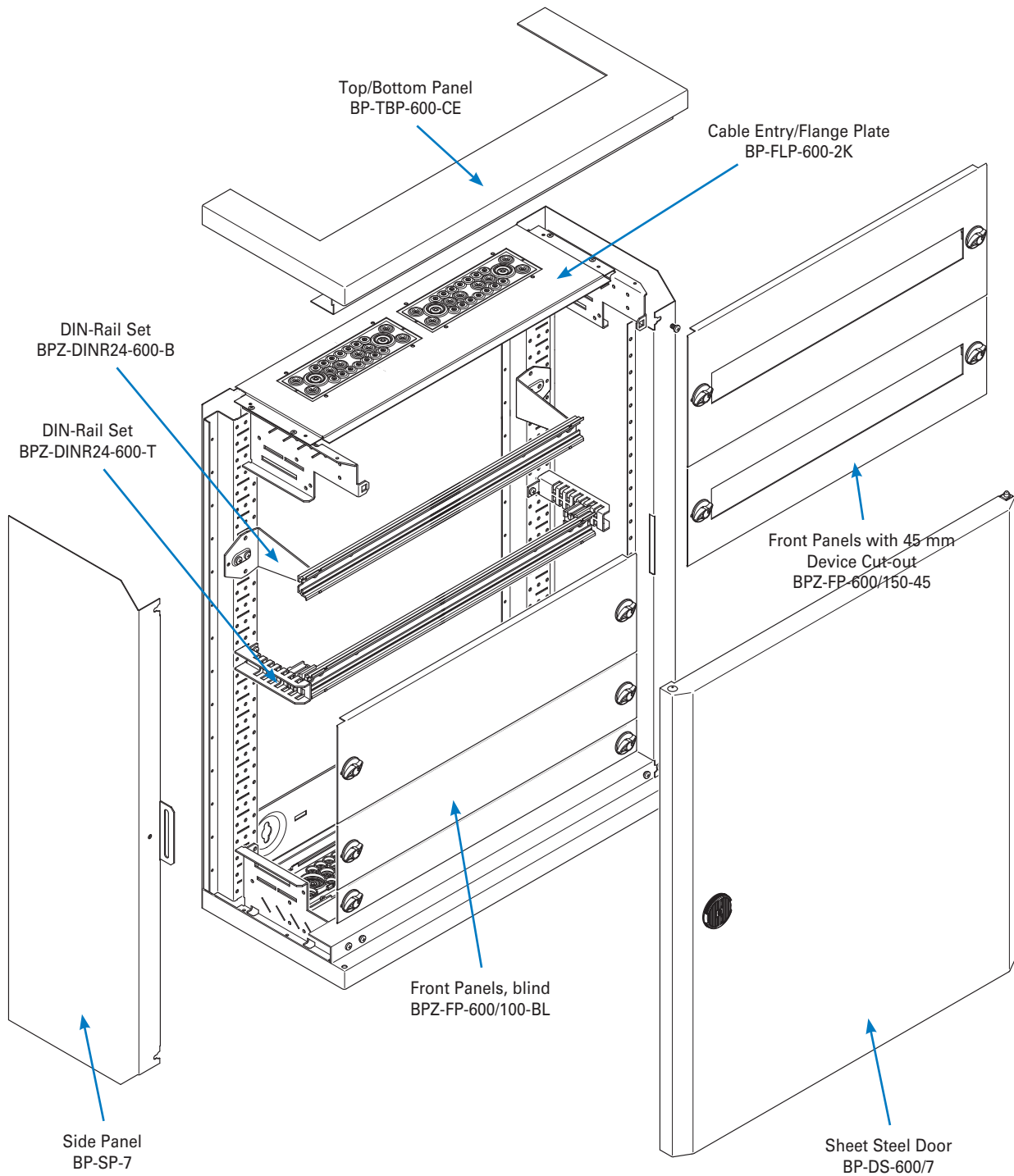


Technical pages Accessories and Profi+ installation system



Wall-Mounted Surface Mounting Distribution Boards BP-O...(C)

System Overview



Surface-Mounting Installation Distribution Boards, BP-O...(-C) (EW)

- Modular design
- Grounded metal covers
- Flat-pack or fully assembled
- Add-on options
- Generous wiring space
- Variable interior layout with/without removable mounting frame
- Structured, multilayer construction for easy accessible installation: base frame - DIN-rails ... - enclosure
- Reversible door hinging
- Type BP-O...-EW is equipped with a fireproof door (metal hinges and lock)

Technical Data

Electrical

Design according to	IEC/EN 61439-1/3, IEC/EN 62208
Protection class	I
Degree of protection	IP30
Rated voltage	415 VAC / 50Hz
Rated current	630 A
depending on the busbar support system	

Earth connections

Base frame	M5 earthing point screw
Side wall, top/bottom panel	M5 tapping screw
Door	M6 welding bolt

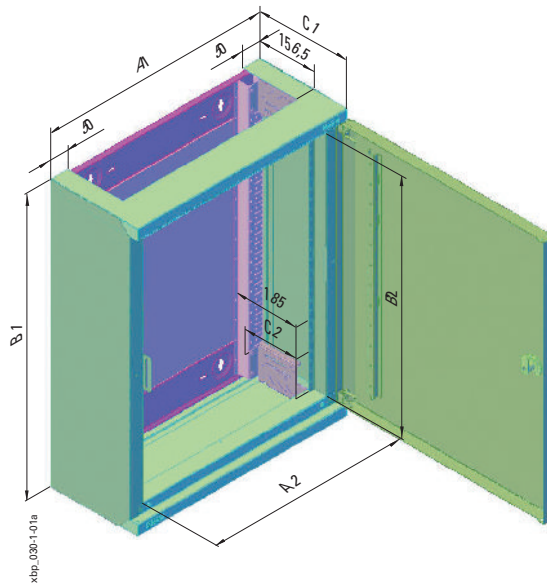
Max. power loss (W) for all devices in the dist. board at 35° C ambient temperature:

Height \ Width (mm)	400	600	800	1000	1200
460	74	101	129	–	–
760	104	137	156	–	–
1060	133	147	203	264	–
1260	118	170	232	302	374
1560	144	207	281	364	429

Mechanical

Material	Sheet steel
Paint coat	Phosphatised and polyester-powder-coated
Colour	Grey RAL 7035, white RAL 9016
Door	Doors with covered hinges, can be unhinged at an angle of more than 90° Opening angle: 167° (ca. 100° in case of several distribution boards mounted next to each other)
Door lock	Hinged handle with rotary lock; cylinder lock; 3-point lock with clip down handle
Cable entry	Different covers permit cable entry from below and/or above
Shock resistant	IK08

Dimensions (mm)



Type	Outside dimensions				Inside dimensions (front plate)			Number of locks ²⁾
	Width A1	Height B1	Depth C1 Total ¹⁾	Without door	Width A2	Height B2	Depth C2	
BP...-400/4	400	460	262,5	249	320	350	153	1
BP...-400/7	400	760	262,5	249	320	650	153	1
BP...-400/10	400	1060	262,5	249	320	950	153	1
BP...-400/12	400	1260	262,5	249	320	1150	153	1
BP...-400/15	400	1560	262,5	249	320	1450	153	1
BP...-600/4	600	460	262,5	249	520	350	153	1
BP...-600/7	600	760	262,5	249	520	650	153	1
BP...-600/10	600	1060	262,5	249	520	950	153	1
BP...-600/12	600	1260	262,5	249	520	1150	153	1
BP...-600/15	600	1560	262,5	249	520	1450	153	1
BP...-800/4	800	460	262,5	249	720	350	153	1
BP...-800/7	800	760	262,5	249	720	650	153	1
BP...-800/10	800	1060	262,5	249	720	950	153	1
BP...-800/12	800	1260	262,5	249	720	1150	153	1
BP...-800/15	800	1560	262,5	249	720	1450	153	1
BP...-1000/10	1000	1060	262,5	249	920	950	153	1 ³⁾
BP...-1000/12	1000	1260	262,5	249	920	1150	153	1 ³⁾
BP...-1000/15	1000	1560	262,5	249	920	1450	153	1 ³⁾
BP...-1200/12	1200	1260	262,5	249	1120	1150	153	1 ³⁾
BP...-1200/15	1200	1560	262,5	249	1120	1450	153	1 ³⁾

¹⁾ Door lock +8 mm

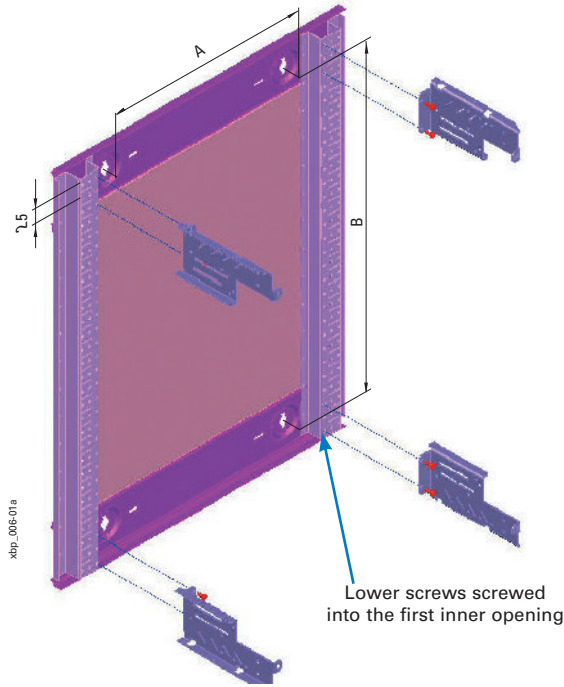
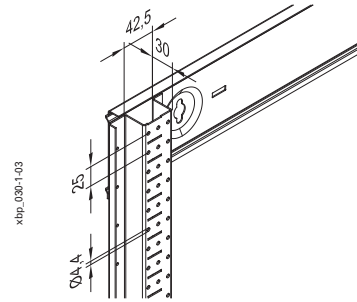
²⁾ Number of hinge cut-outs for rotary handles. doors with clip down handle also available.

³⁾ Number of locks for the right door. Left door contains two rotary handles in all dimensions.

Surface-mounting distribution boards IP30 - components

Base frames, BP-MF

- Add-on design
- Symmetrical layout
- Consistent system perforation pattern (25 mm grid)
- Material: sheet steel, zinc-coated
thickness 1 mm
- Scope of delivery: 1 base frame, 4 towers, fixing material



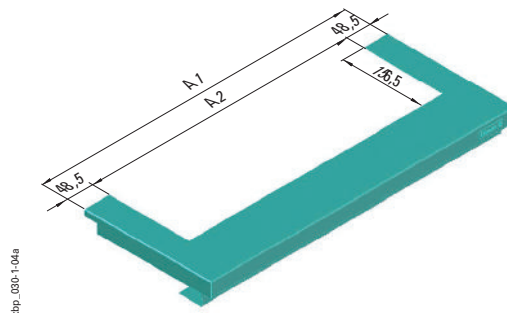
Width [mm]	A	Height [mm]	B
400	173	460	342,5
600	373	760	642,5
800	573	1060	942,5
1000	773	1260	1142,5
1200	973	1560	1442,5

Top / bottom panels, BP-TBP

- The top/bottom panels are used as covers for the cabinet
- With or without cable entry cutout
- Material: sheet steel, powder-coated, RAL 7035 or RAL 9016
thickness 1 mm
- Scope of delivery: 1 top panel, 1 bottom panel, fixing material

Dimensions [mm]

Type	Depth	Without cutout		With cutout	
		Outside width	Inside width	Outside width	Inside width
BP-TBP-400	249	A1	A2	A1	A2
BP-TBP-600	249	400	–	400	300
BP-TBP-800	249	600	–	600	500
BP-TBP-1000	249	800	–	800	700
BP-TBP-1200	249	1000	–	1000	900
BP-TBP-1200	249	1200	–	1200	1100



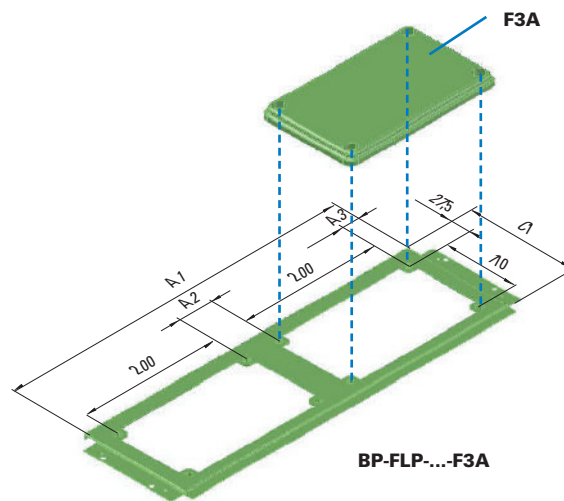
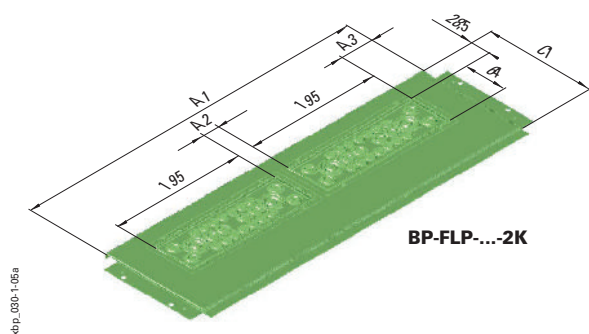
Cable entry / flange plates, BP-FLP

- Blind plate for closing the cable entry
- Cable entry plate with pass-through flange 2K (pre-fitted)
- Cable entry plate designed for F3A flange
- Mounting into BP-TBP-...-CE panels
- Can be used also for floor-standing board IP30
- Material: sheet steel, powder-coated, RAL 7035
thickness 1 mm
- Scope of delivery: 1 cable entry/flange plate, fixing material

Dimensions [mm]

Type	A1	A2	A3	C1	Number of flanges
BP-FLP-400-BL	300	–	–	155	-
BP-FLP-400-2K	300	–	51,95	155	1
BP-FLP-600-BL	500	–	–	155	-
BP-FLP-600-2K	500	18	45,45	155	2
BP-FLP-800-BL	700	–	–	155	-
BP-FLP-800-2K	700	18	38,95	155	3
BP-FLP-1000-BL	900	–	–	155	-
BP-FLP-1000-2K	900	18	31,45	155	4
BP-FLP-1200-BL	1100	–	–	155	-
BP-FLP-1200-2K	1100	18	25,95	155	5

Type	A1	A2	A3	C1	Number of openings for F3A flanges
BP-FLP-400-F3A	300	–	44,45	155	1
BP-FLP-600-F3A	500	40	19,45	155	2
BP-FLP-800-F3A	700	22	12,45	155	3
BP-FLP-1000-F3A	900	11,33	12,45	155	4
BP-FLP-1200-F3A	1100	6	12,45	155	5



Insertion Flanges

- Scope of delivery: 1 Flange

F3A

VT17407



F3A-0
Blind flange

VT17507



F3A-4
4xM16, 6xM25/16, 8xM32/20

VT17307



F3A-8
2xM20, 8xM25/16, 4xM32/20,
1xM50/32

VT17607



F3A-12
2xM16, 12xM20, 2xM40/25, 2xM50/32

VT17707



F3A-34
24xM16, 13xM20

VT17807



F3A-KTD
2 grommets for cables
up to Ø 70 mm

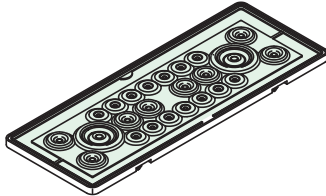
VT17207



F3A-D
Cellular rubber pass-through flange, 40 cables Ø 10-13 mm,
4 cables Ø 17-21 mm, 2 cables Ø 27-30 mm

Pass-through Flange, ZSD-2K/FLA

Mas_ZSD_FL A



14x Ø 11 mm
8x Ø 15 mm
2x Ø 28 mm

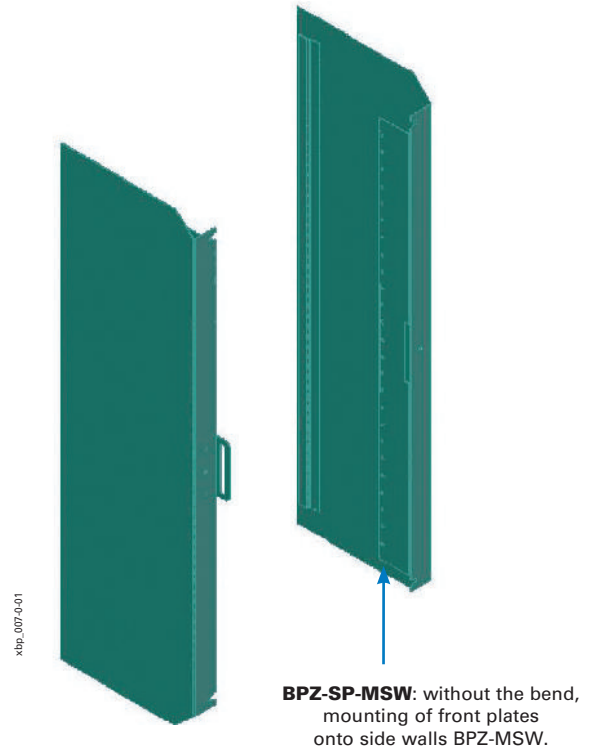
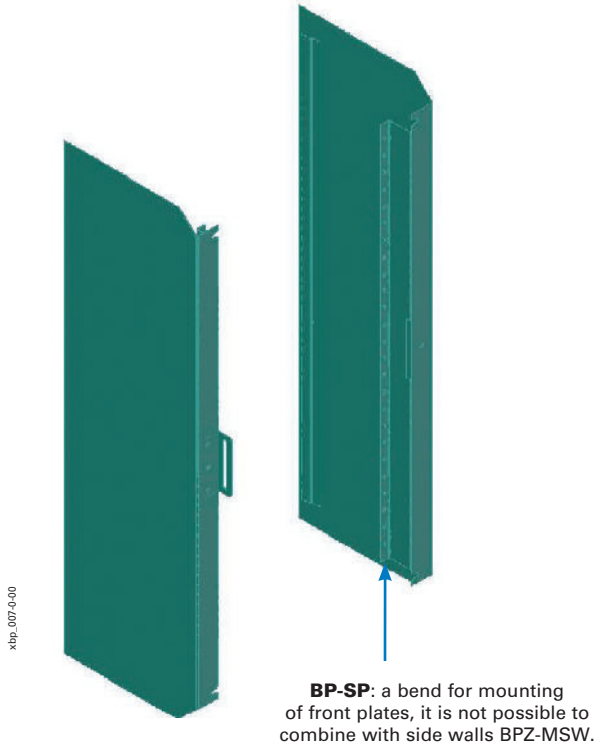
Shift-back Flange, PB-FLP-...-VS

VT13208

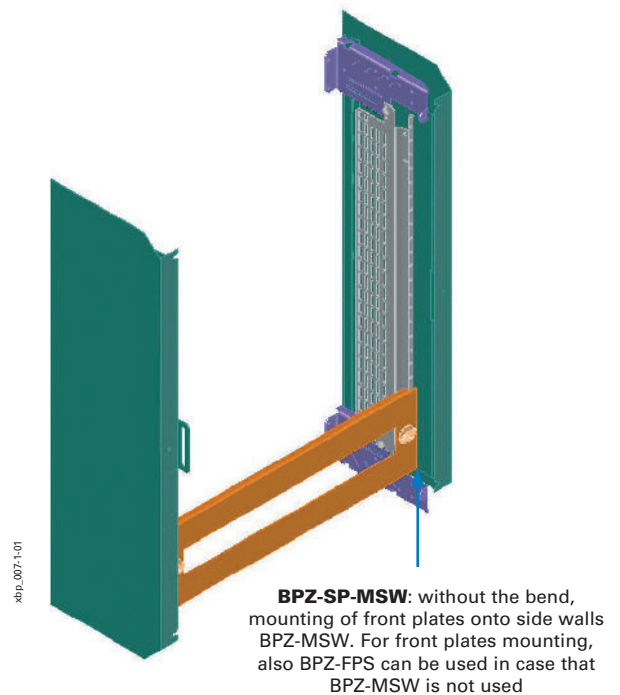
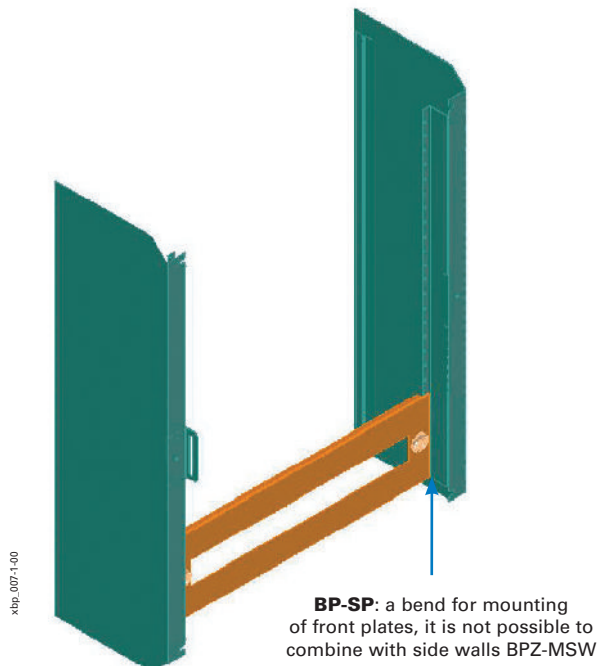


Side panels **BP-SP, BPZ-SP-MSW**

- Side panels are used as part of cover for the cabinet
- 2 variants (for mounting with / without BPZ-MSW)
- Material: sheet steel, powder-coated, RAL 7035 or RAL 9016
thickness 1 mm
- Scope of delivery: 2 side panels



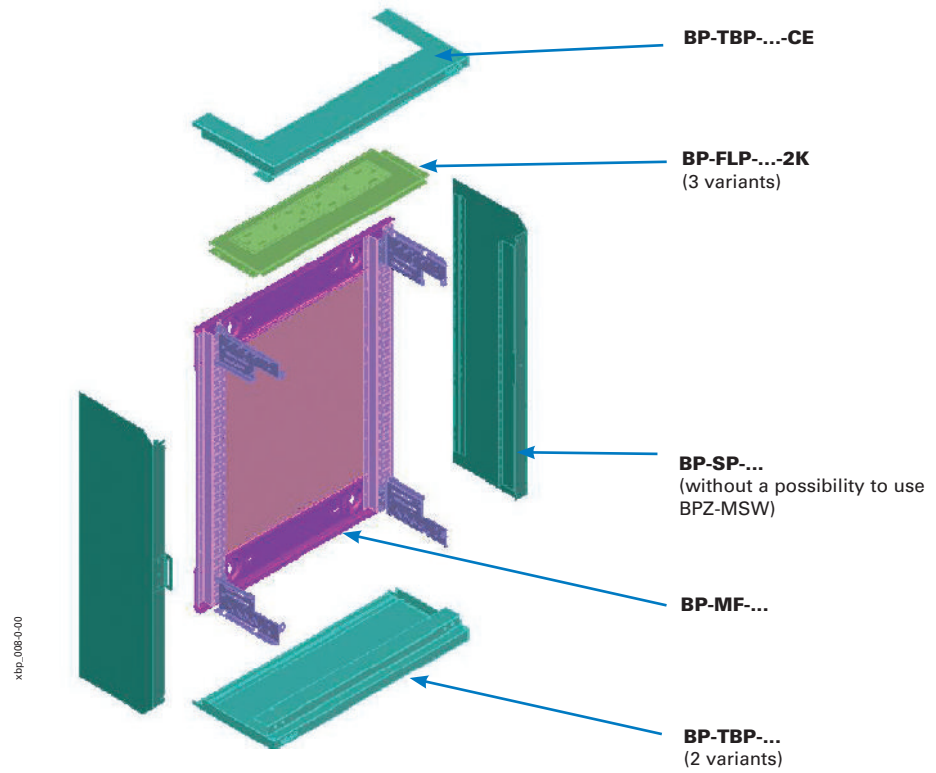
Mounting of front plates **BPZ-FP** into side panels **BP-SP**



Assembling of surface-mounted board IP30

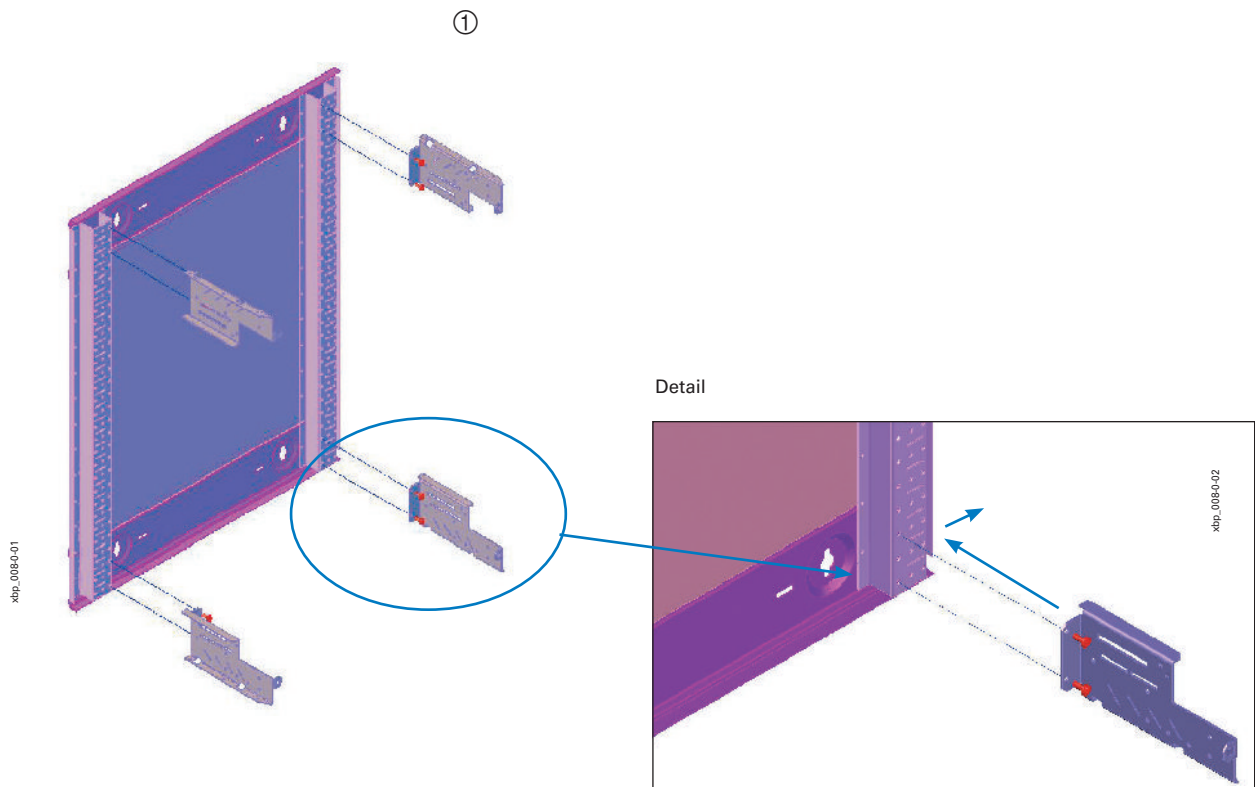
Board without a possibility of installation of mounting frame BPZ-MSW

Without side wall BPZ-MSW



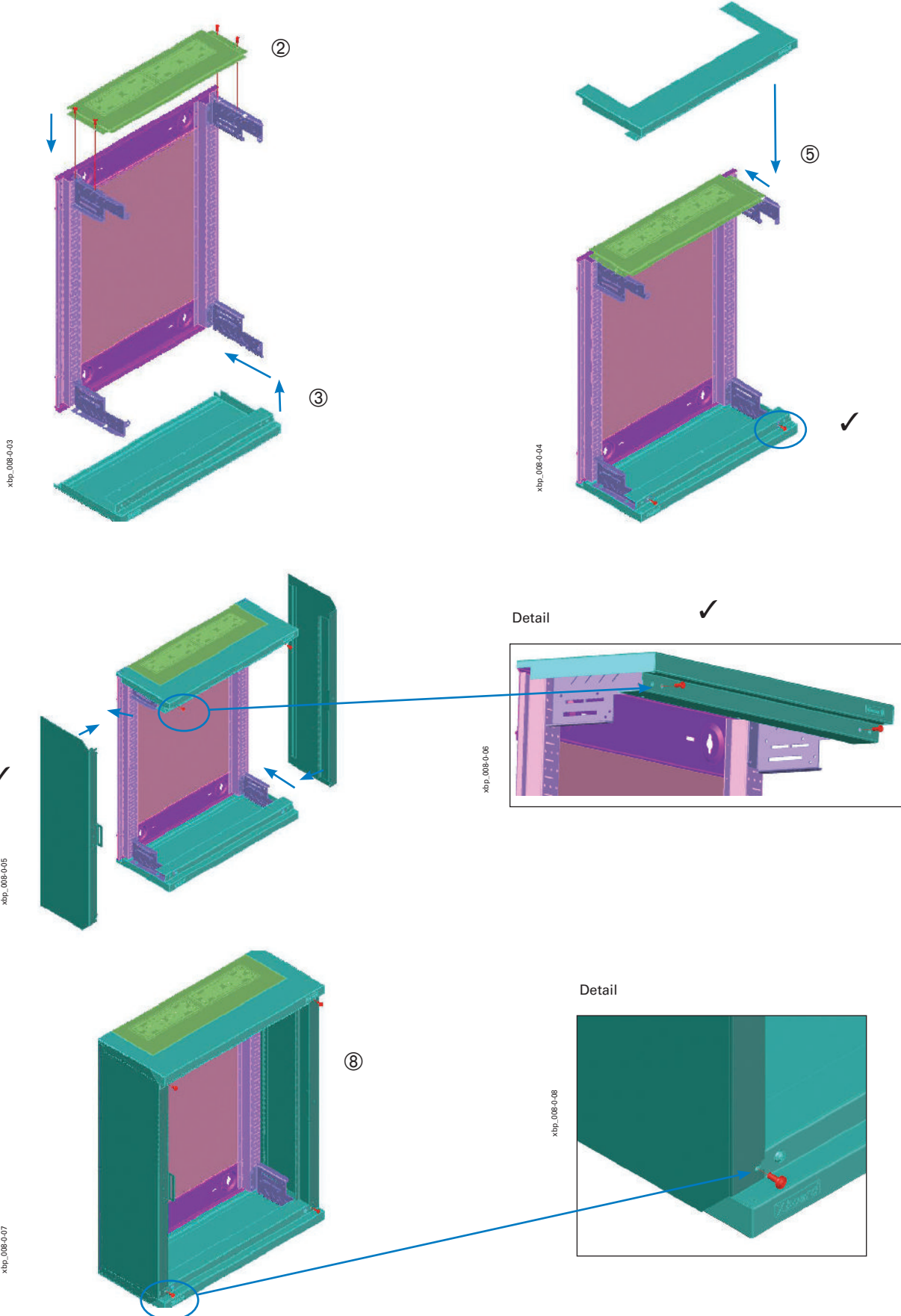
Mounting process:

1. Mounting of towers BPZ-CTS-L onto base frame BP-MF. Towers BPZ-CTS-L are in a scope of delivery of the frame BP-MF.



Distribution Boards

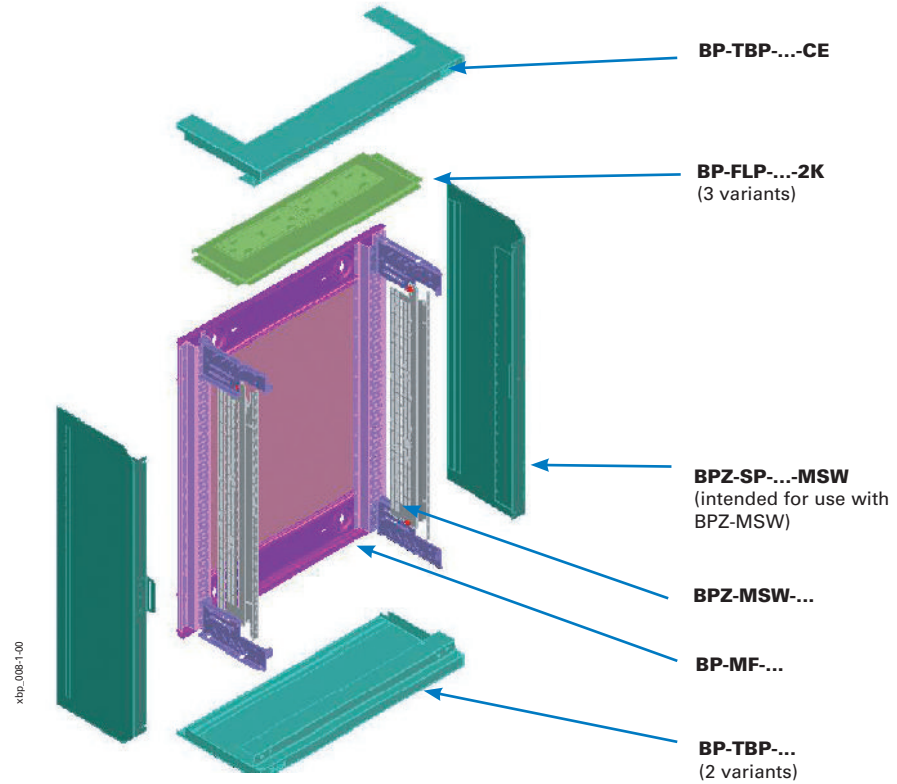
2. Assembly of cable entry plates BP-FLP onto towers BPZ-CTS-L
3. Assembly of top / bottom panel without cutout (if used)
4. Fixing of top / bottom panel without cutout into towers BPZ-CTS-L by means of screws
5. Addition of cable entry plate with top / bottom panel
6. Fixing of top / bottom panel with cutout into towers BPZ-CTS-L by means of screws
7. Assembly of side panels BP-SP
8. Fixing of side panels BP-SP



Assembling of surface-mounted board IP30

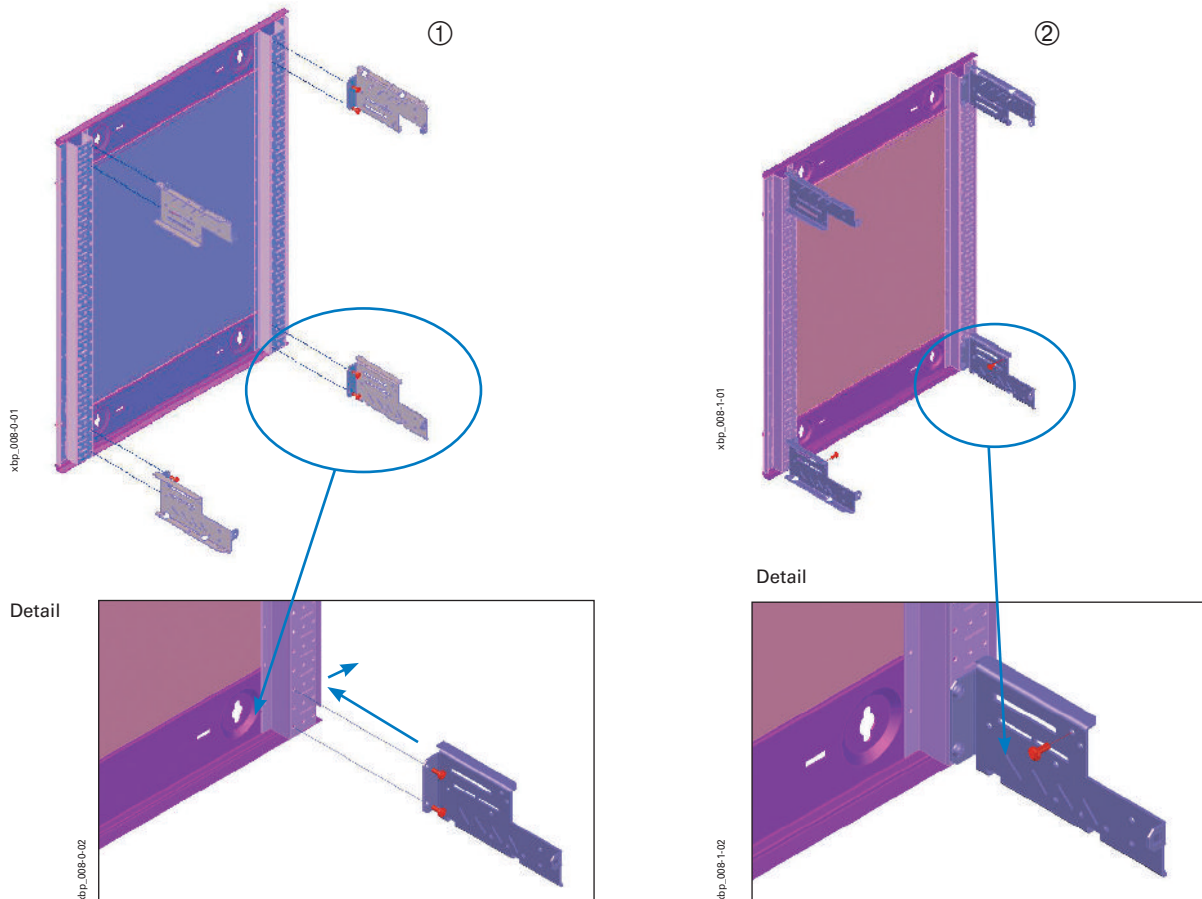
Board for installation of mounting frame BPZ-MSW

With side wall BPZ-MSW



Mounting process:

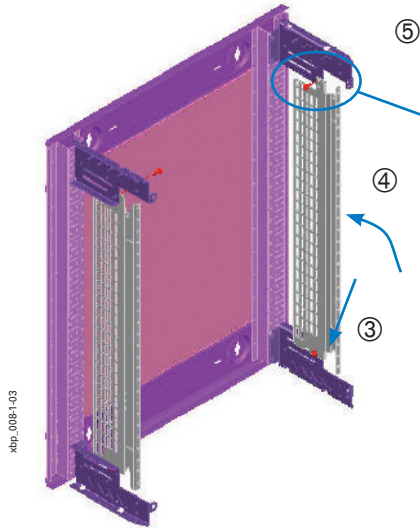
1. Mounting of towers BPZ-CTS-L onto base frame BP-MF. Towers BPZ-CTS-L are in a scope of delivery of the frame BP-MF.
2. Pre-screwing of a screw which creates bottom hitch for frame BPZ-MSW.



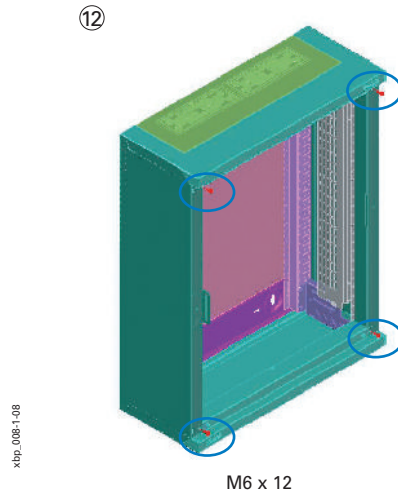
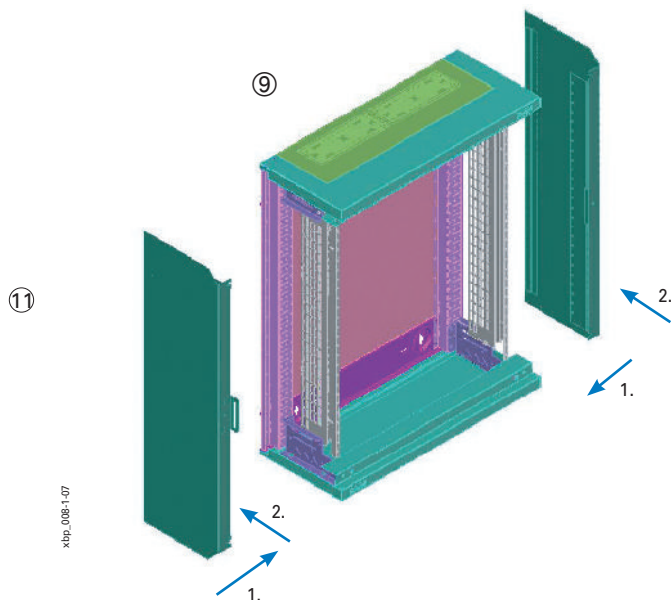
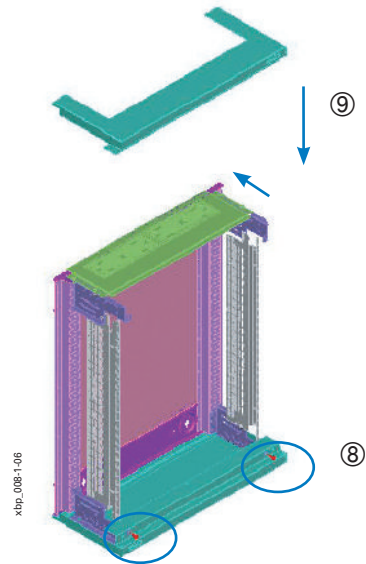
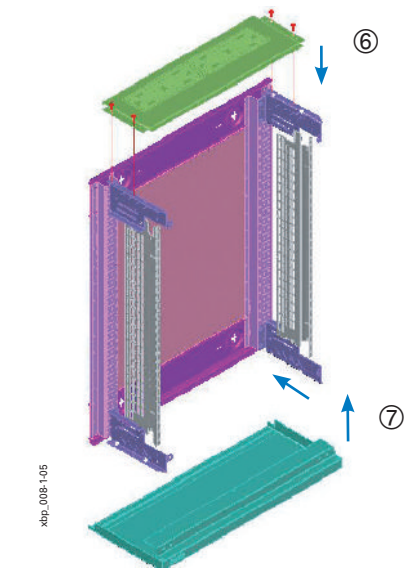
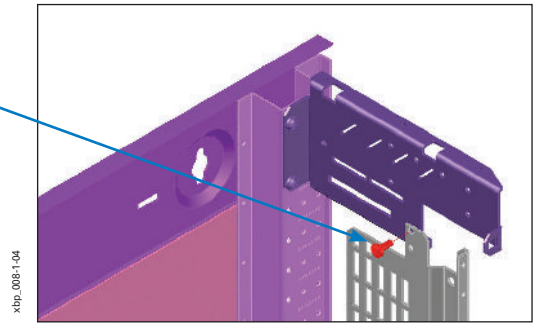
Distribution Boards

3. Placing of the frame from side walls BPZ-MSW on bottom hitch
4. Tipping of the side walls BPZ-MSW to correct position
5. Fixing of the frame with top hitch screw
6. Assembly of cable entry plates BP-FLP onto towers BPZ-CTS-L
7. Assembly of top / bottom panel without cutout (if used)
8. Fixing of top / bottom panel without cutout into towers BPZ-CTS-L by means of screws

9. Addition of cable entry plate with top / bottom panel
10. Fixing of top / bottom panel with cutout into towers BPZ-CTS-L by means of screws
11. Assembly of side panels BPZ-SP-MSW
12. Fixing of side panels BPZ-SP-MSW

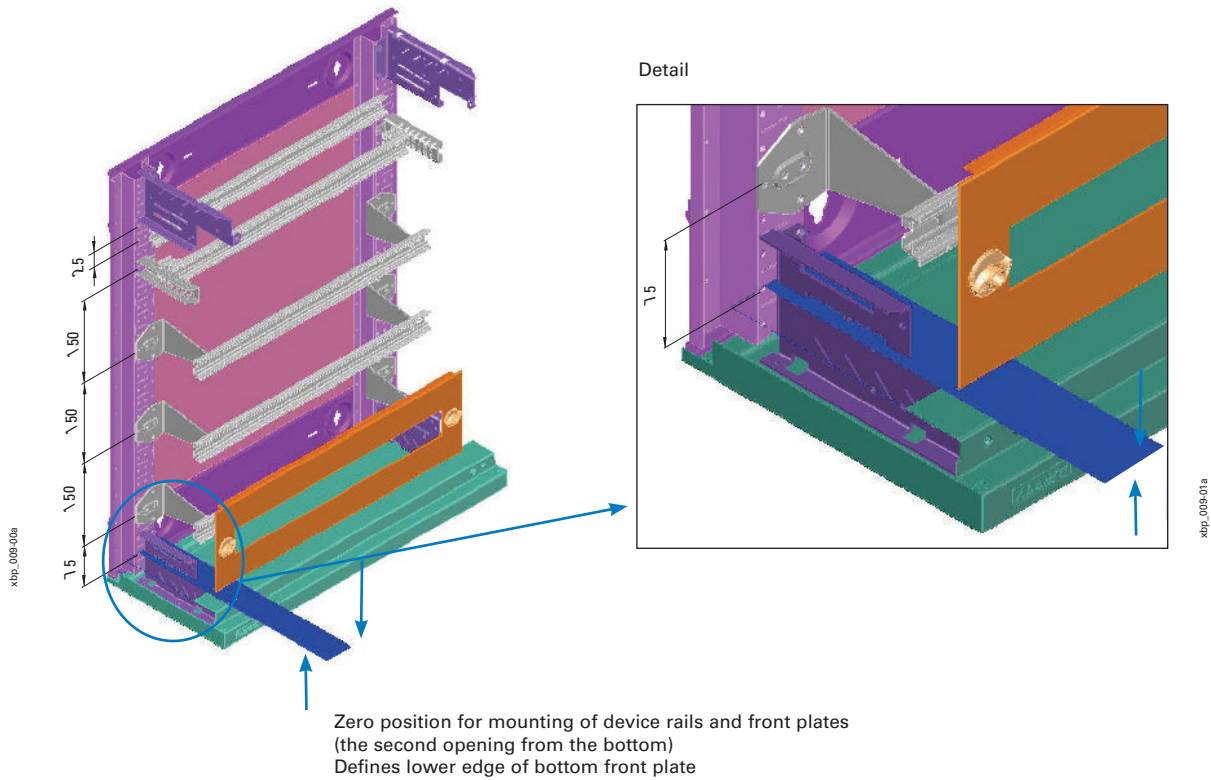


Detail



Zero position for mounting of front plates

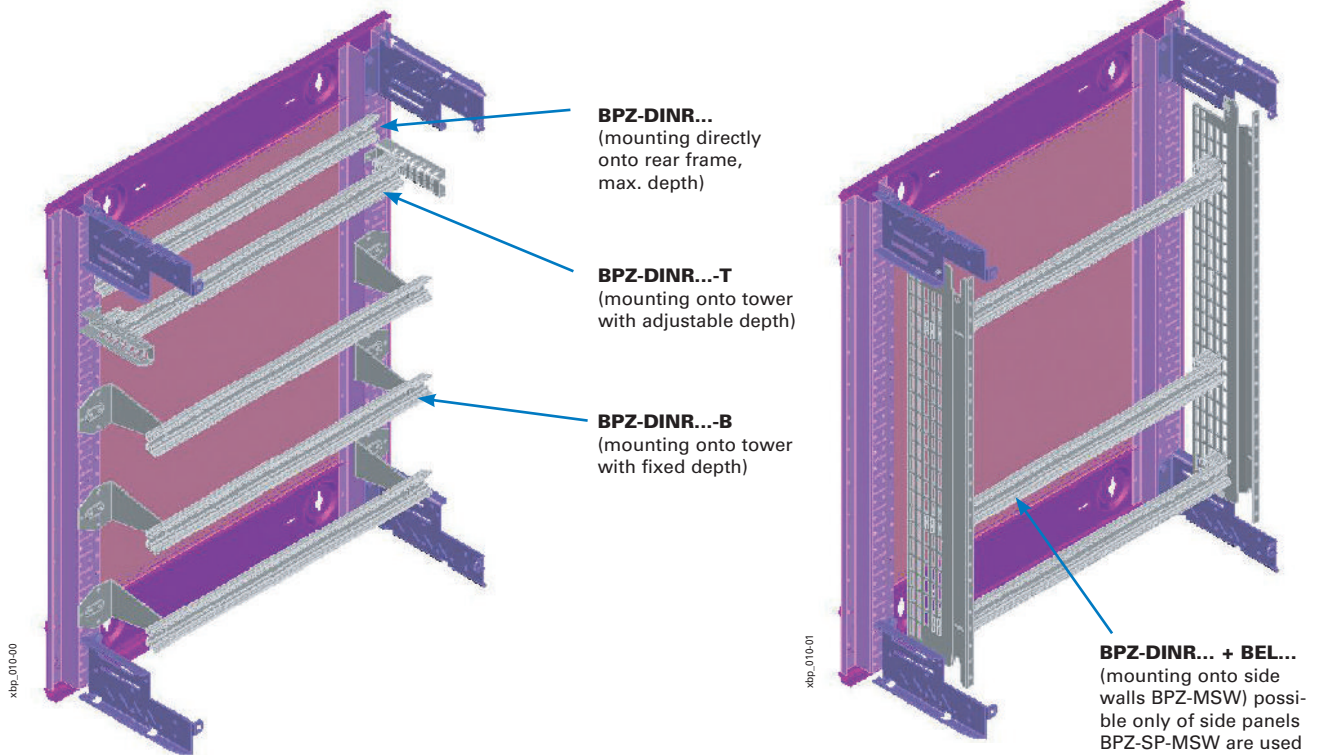
- Defines lower edge of the first bottom front plate - first step of assembly
- For standard front plate height 150 mm, the center of the first bottom device rail is located 75 mm above the zero position



Mounting of device rails

I. Rear mounting onto base frame

II. Mounting onto side walls BPZ-MSW

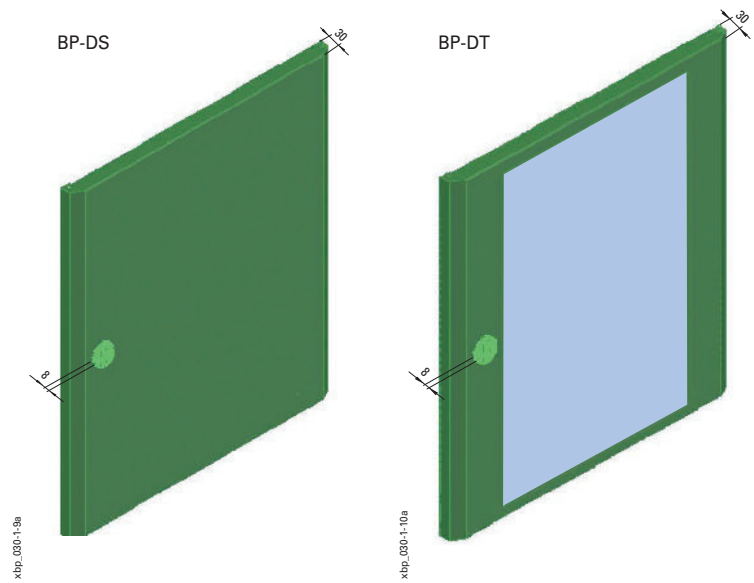


Sheet steel doors, BP-DS

- Front-mounted
- Quick mounting and removing of the door
- Right or left hinged
- Opening angle 167°
- 1-point lock through rotary lock, 3-point lock with clip down handle
- Material: sheet steel, powder-coated, RAL 7035 thickness 1 mm
- Scope of delivery: 1 door, set for earth connection

Transparent doors (sheet steel), BP-DT

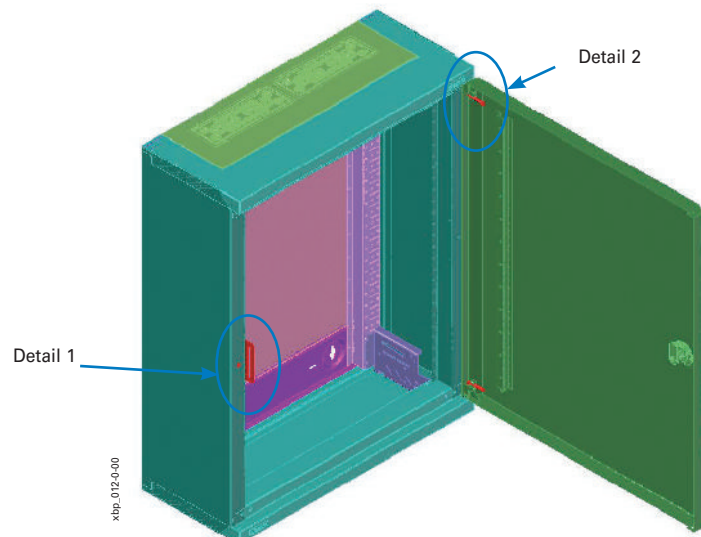
- Material: 2 mm of plexiglas



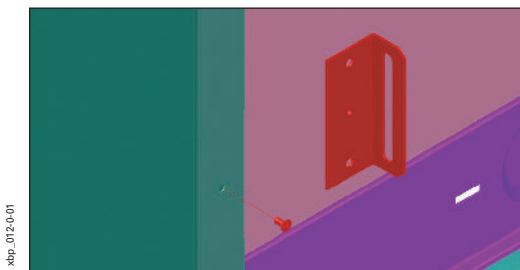
Mounting of door BP-DS

Mounting process:

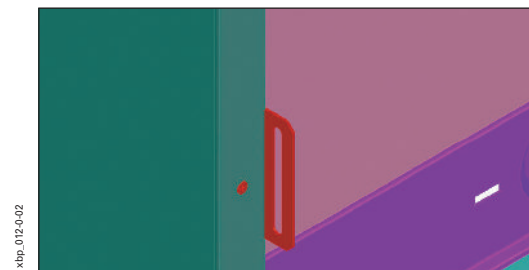
1. Mounting of lug for lock rod on the respective side (in scope of delivery of side panels)
2. Inserting of door at the opening angle about 90°
3. Inserting of hinge pins
4. Fixing of the pins in plastic bracket



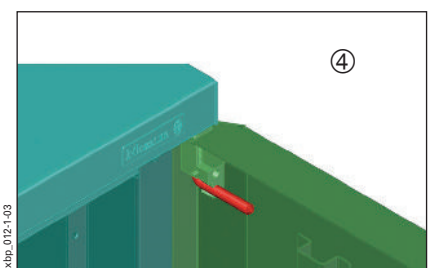
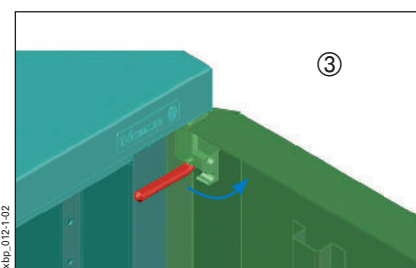
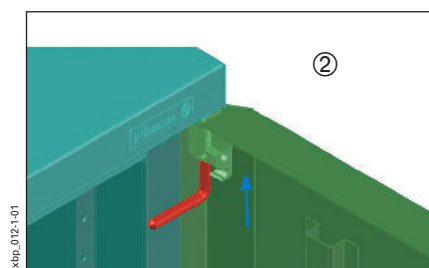
Detail 1



①



Detail 2

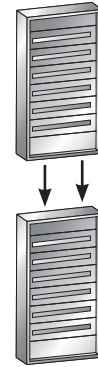


Horizontal/middle add-on connection element, BP-MFL

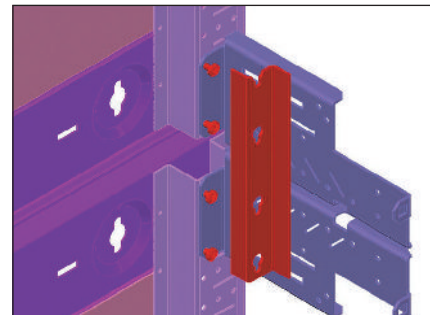
- For mounting distribution boards one on top of the other
- For surface mounting boards IP30
- Possible to combine with BP-MSL for cross combination of boards
- Material: sheet steel, powder-coated, RAL 7035
- Scope of delivery: 1 horizontal/middle add-on connection element, 2 mounting elements, fixing material

Mounting process:

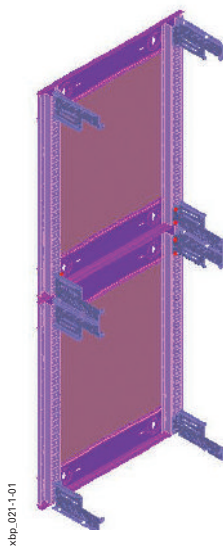
- For a pair of boards, only one set of top / bottom panels is used
1. Placing of base frames BP-MF to correct position
 2. Remove of screws of towers BPZ-CTS-L at sides near to boards connection
 3. Put of mounting elements on the loosened screws
 4. Tightening of fixing screws
 5. Assembly of connection element
 6. Fixing of connection element
 7. Mounting of top and bottom panels BP-TBP
 8. Mounting of side walls BP-SP, BPZ-SP-MSW
 9. Mounting of doors BP-DS



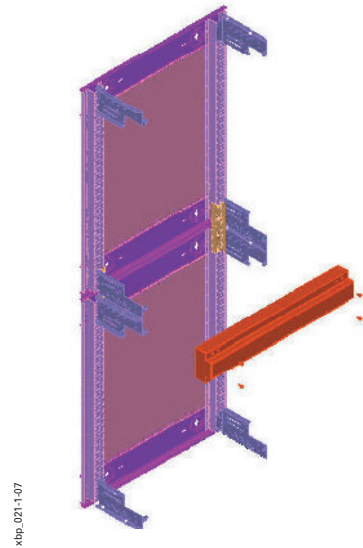
Detail



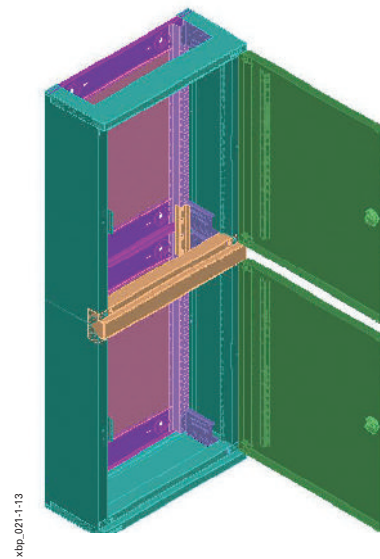
xbp_021-1-04



xbp_021-1-01



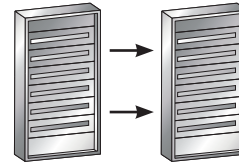
xbp_021-1-07



xbp_021-1-13

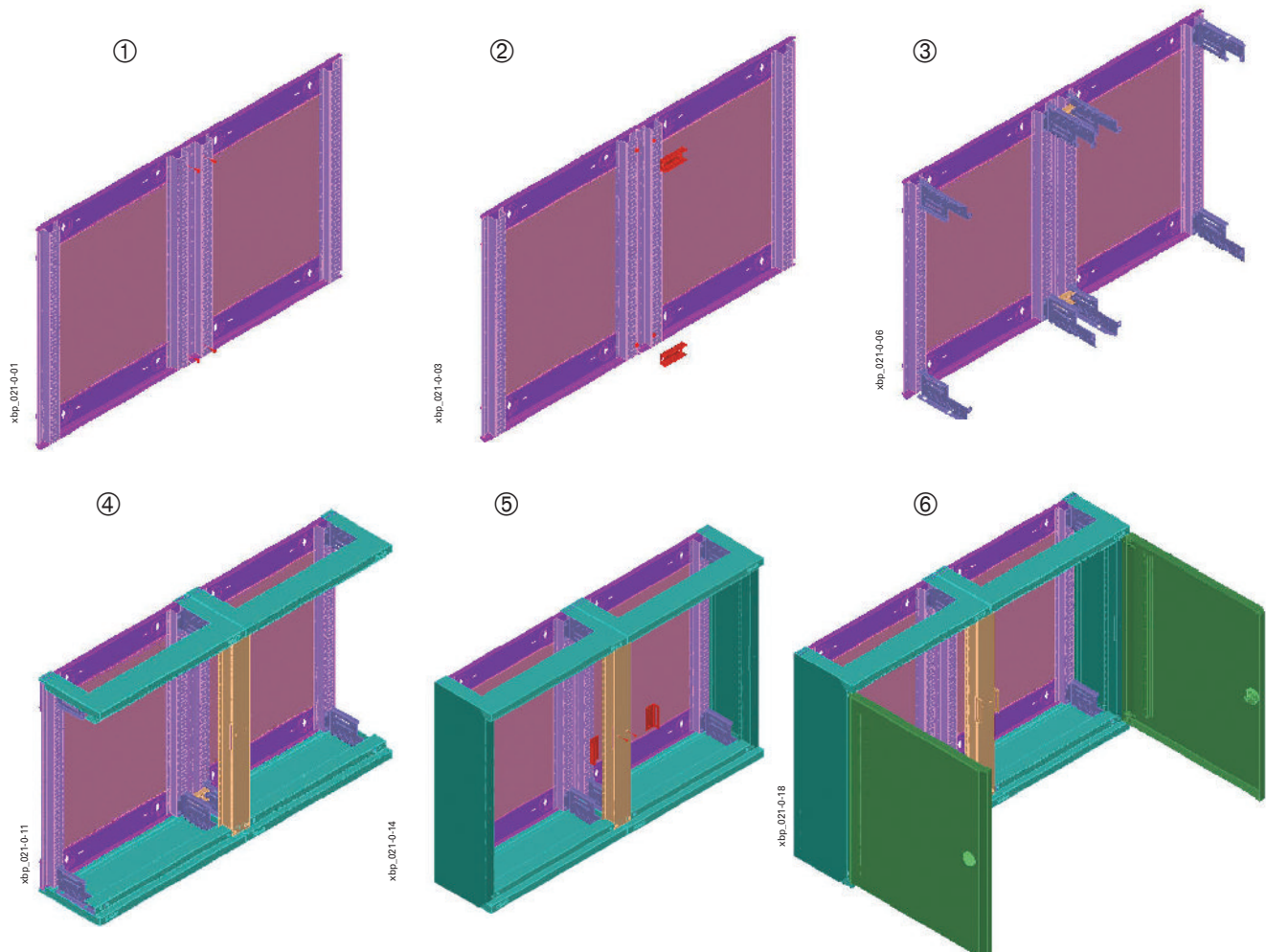
Vertical/middle add-on connection element, BP-MSL

- For mounting distribution boards one next to the other (in parallel)
- Possible to combine with BP-MFL for cross combination of boards
- Material: sheet steel, powder-coated, RAL 7035
- Scope of delivery: 1 vertical/middle add-on connection element,
2 mounting elements, fixing material



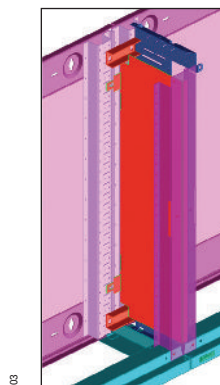
Mounting process:

- The process is identical for both BP-MSL and BP-MSL-MSW
 - For a pair of boards, only one set of side panels BP-SP, BPZ-SP-MSW is used
1. Placing of base frames BP-MF to correct position, pre-screwing of fixing screws
 2. Put of mounting elements and fixing of screws
 3. Mounting of towers BPZ-CTS-L onto base frame BP-MF. Towers BPZ-CTS-L are in a scope of delivery of the frame BP-MF.
 4. Mounting of top and bottom panels BP-TBP and pre-screwing of add-on connection element screws. Assembly of add-on element
 5. Connected pair of boards. Mounting of lugs for locks rods
 6. Mounting of doors
- To preserve maximum opening angle, both boards have to have opposite direction of door opening



Separation panel, BPZ-ASB

- Internal vertical separation between two sections
- Fixing on the rear frame
- Painted, grey RAL 7035



88

Surface-Mounting Installation Distribution Boards BPM-O...

- Excellent stability due to welded construction
- Grounded metal covers
- Generous wiring space
- Variable interior layout with/without removable mounting frame
- Structured, multilayer construction for easy accessible installation
- Reversible door hinging

Technical Data

Electrical

Design according to	IEC/EN 61439-1/3, IEC/EN 62208
Protection class	I
Degree of protection	IP54
Rated voltage	415 VAC / 50Hz
Rated current	630 A
depending on the busbar support system	

Earth connections

Base frame	M8 welding bolt
Door	M6 welding bolt

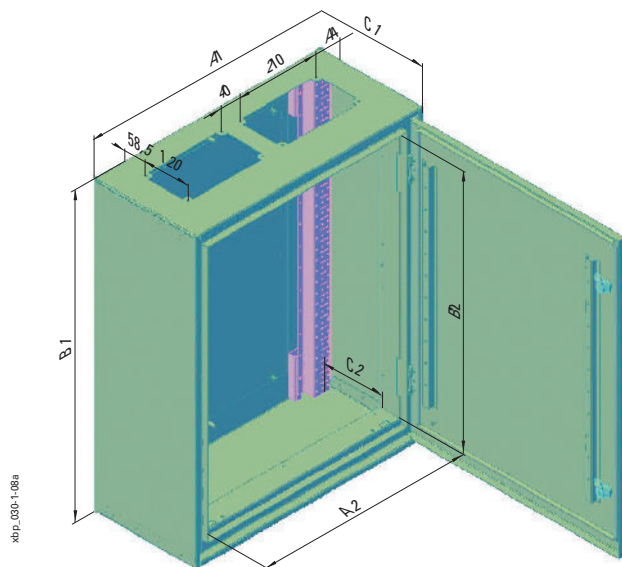
Max. power loss (W) for all devices in the dist. board at 35° C ambient temperature:

Height \ Width (mm)	400	600	800	1000	1200
460	76	105	134	–	–
760	106	140	161	–	–
1060	137	150	209	269	–
1260	121	174	239	308	386
1560	149	212	289	372	435

Mechanical

Material	Sheet steel
Paint coat	Phosphatised and polyester-powder-coated
Colour	Grey RAL 7035
Door	Doors with covered hinges, Opening angle: 100°
Door lock	Two-way key bit; 3-point lock with clip down handle
Cable entry	Open cable entry, prepared for F3A-Flanges
Shock resistant	IK08

Dimensions (mm)

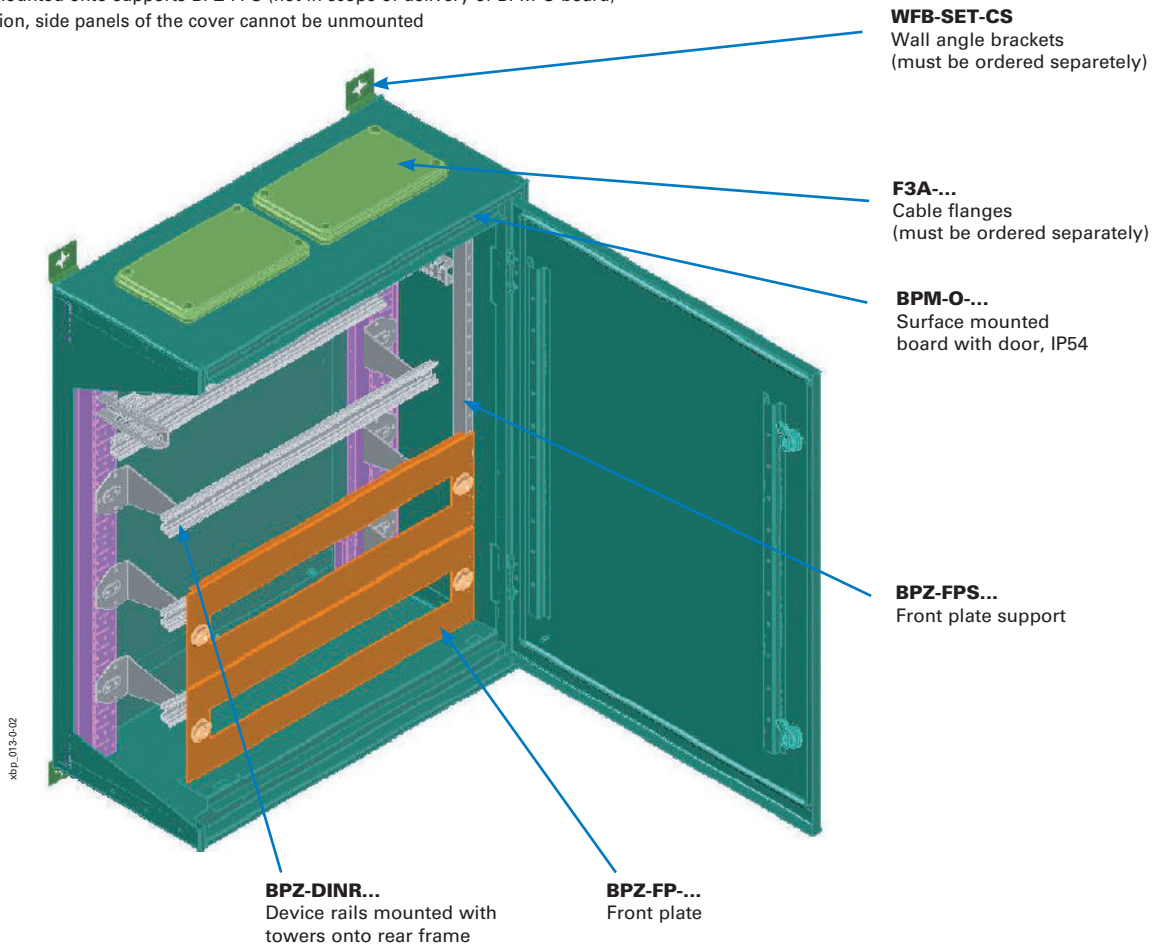


- ¹⁾ Number of hinge cut-outs for rotary handles. doors with clip down handle also available.
²⁾ Number of locks for the right door. Left door contains two rotary handles in all dimensions.
³⁾ Number of cut outs for F3A flanges on the top.

Type	Outside dimensions			Inside dimensions (front plate)			Mounting brackets - openings distance		Cable cutout A4	Amount of F3A flanges	Number of locks ¹⁾
	Width A1	Height B1	Depth C1	Width A2	Height B2	Depth C2	Width A3	Height B3			
BPM-O-400/4	400	460	270	320	350	155	340	500	94	1	1
BPM-O-400/7	400	760	270	320	650	155	340	800	94	1	2
BPM-O-400/10	400	1060	270	320	950	155	340	1100	94	1	3
BPM-O-400/12	400	1260	270	320	1150	155	340	1300	94	1	3
BPM-O-400/15	400	1560	270	320	1450	155	340	1600	94	1	3
BPM-O-600/4	600	460	270	520	350	155	540	500	69	2	1
BPM-O-600/7	600	760	270	520	650	155	540	800	69	2	2
BPM-O-600/10	600	1060	270	520	950	155	540	1100	69	2	3
BPM-O-600/12	600	1260	270	520	1150	155	540	1300	69	2	3
BPM-O-600/15	600	1560	270	520	1450	155	540	1600	69	2	3
BPM-O-800/4	800	460	270	720	350	155	740	500	44	3	1
BPM-O-800/7	800	760	270	720	650	155	740	800	44	3	2
BPM-O-800/10	800	1060	270	720	950	155	740	1100	44	3	3
BPM-O-800/12	800	1260	270	720	1150	155	740	1300	44	3	3
BPM-O-800/15	800	1560	270	720	1450	155	740	1600	44	3	3
BPM-O-1000/10	1000	1060	270	920	950	155	940	1100	144	3	3 ²⁾
BPM-O-1000/12	1000	1260	270	920	1150	155	940	1300	144	3	3 ²⁾
BPM-O-1000/15	1000	1560	270	920	1450	155	940	1600	144	3	3 ²⁾
BPM-O-1200/12	1200	1260	270	1120	1150	155	1140	1300	119	4	3 ²⁾
BPM-O-1200/15	1200	1560	270	1120	1450	155	1140	1600	119	4	3 ²⁾

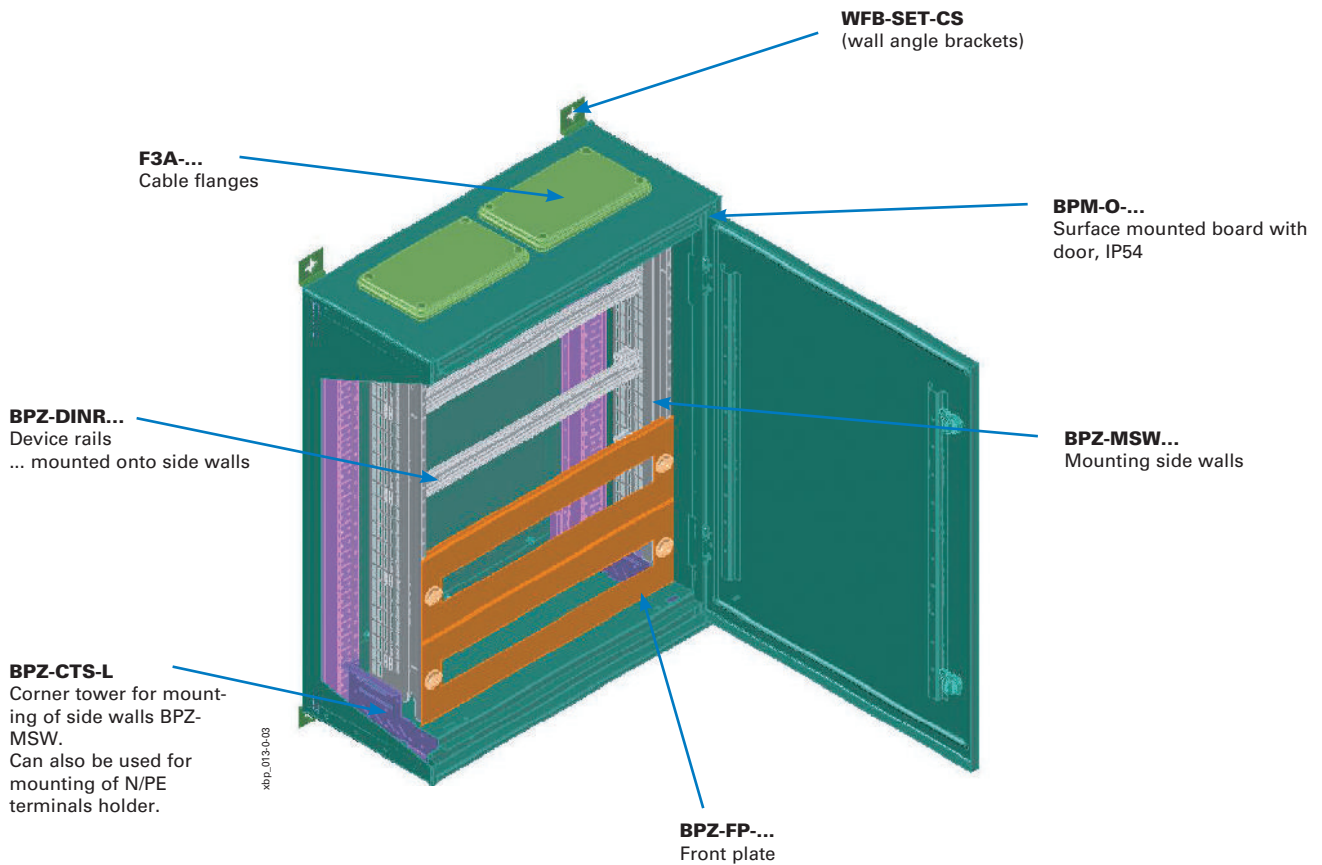
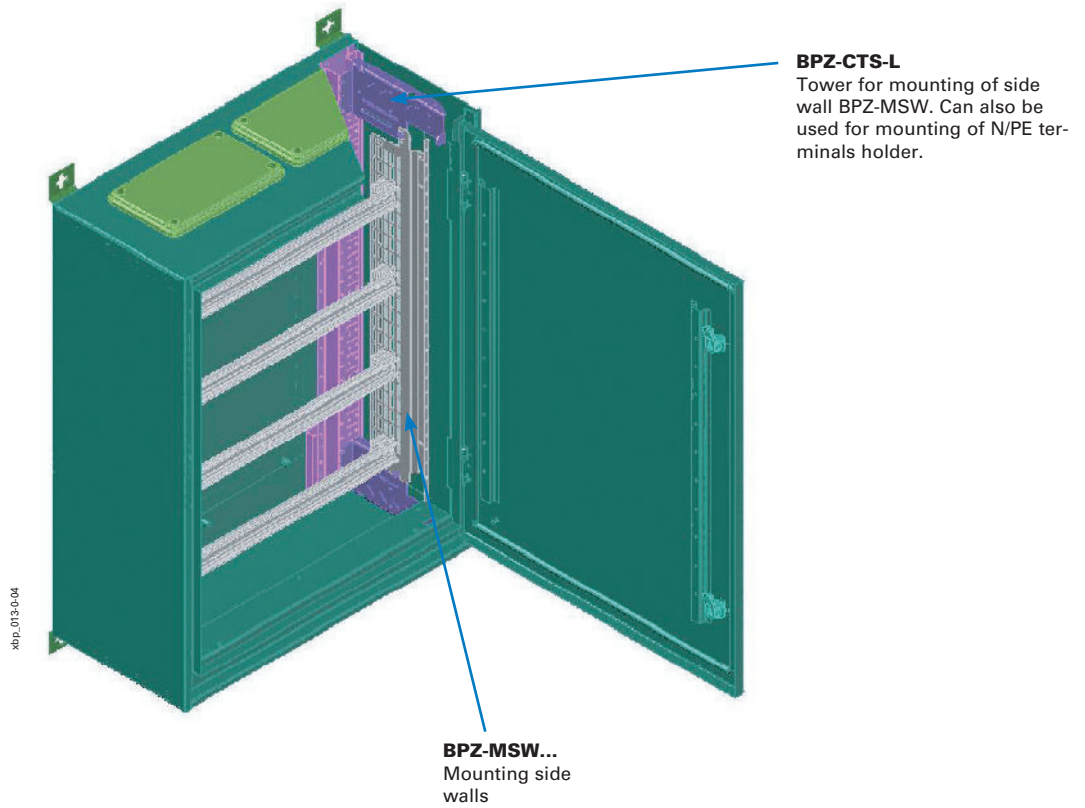
Mounting of device rails onto rear frame (without mounting frame BPZ-MSW)

- Front plates are mounted onto supports BPZ-FPS (not in scope of delivery of BPM-O board)
- Welded construction, side panels of the cover cannot be unmounted



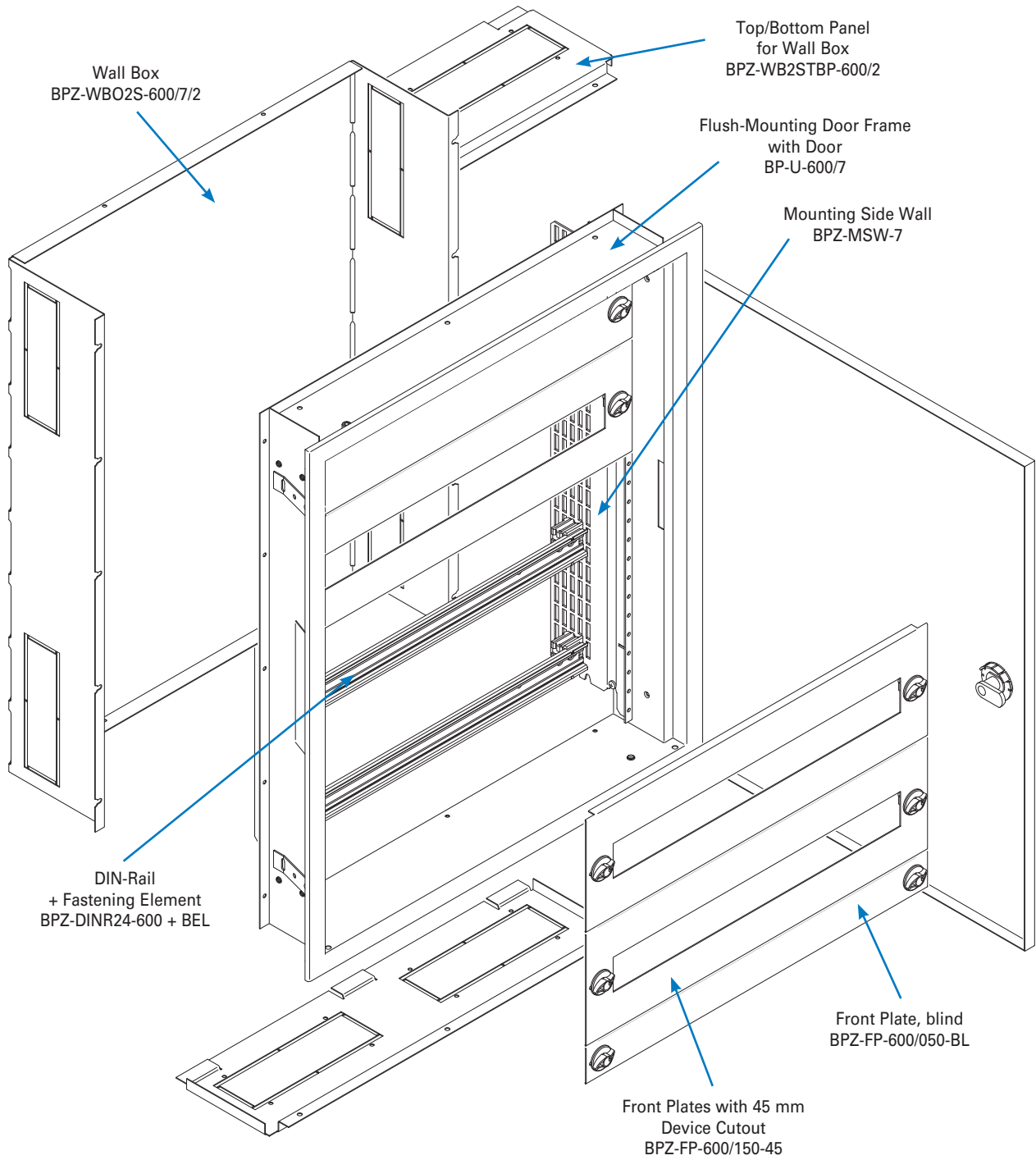
Mounting of device rails with mounting frame BPZ-MSW

- Mounting onto corner towers BPZ-CTS-L (not in scope of delivery of BPM-O board)
- The mounting process of side walls BPZ-MSW is identical with version IP30
- Front plates are mounted directly onto BPZ-MSW
- Welded construction, side panels of the cover cannot be unmounted



Wall-Mounted Flush-mounting Distribution Boards - 2-Step-System **BP-U...(-C)**

System Overview



Flush-Mounting Installation Distribution Boards - 2-Step-System **BP-U...(-C)**

- Grounded metal covers
- Generous wiring space
- Variable interior layout with removable mounting frame
- Structured, multilayer construction for easy accessible installation: mounting sided wall - DIN-rails ... - enclosure
- Reversible door hinging

Technical Data

Electrical

Design according to	IEC/EN 61439-1/3, IEC/EN 62208
Protection class	I
Degree of protection	IP30
Rated voltage	415 VAC / 50Hz
Rated current	630 A
depending on the busbar support system	

Earth connections

Base frame	M5 earthing point screw
Door	M6 welding bolt

Max. power loss (W) for all devices in the dist. board at 35°C ambient temperature:

BP-U.../1

Height \ Width (mm)	320	520	720	920	1120
350	35	53	-	-	-
650	54	80	106	-	-
950	73	106	139	150	-
1150	86	124	131	177	222
1450	-	107	162	218	283

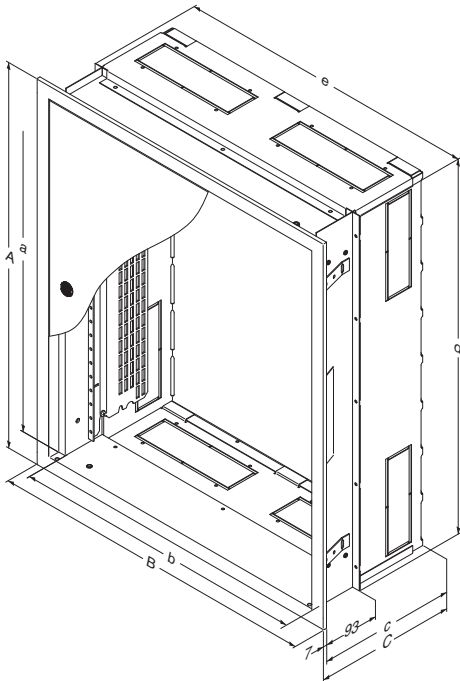
BP-U.../2

Height \ Width (mm)	320	520	720	920	1120
350	38	59	-	-	-
650	60	86	114	-	-
950	82	115	129	167	-
1150	95	133	146	197	256
1450	-	126	180	247	320

Mechanical

Material	Sheet steel
Paint coat	Phosphatised and polyester-powder-coated
Colour	Grey RAL 7035
Door	Flush doors with covered hinges, can be unhinged at an angle of more than 90° Opening angle: 110°
Door lock	Hinged handle with rotary lock; cylinder lock; 3-point lock with clip down handle
Shock resistant	IK08

Dimensions (mm)

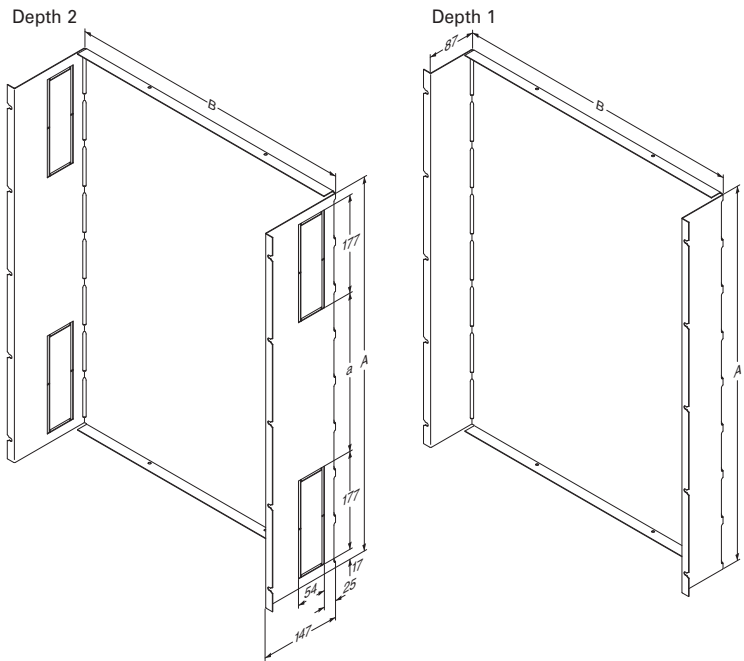


	MU	A	a	B	b	C	c	d	e
		Outside height	Front-plate height	Outside width	Inside width	Outside depth	Installation depth	Installation height	Installation width
BP-U-600/7-C	96	700	650	600	520	247	240	685	555
BP-U-600/10-C	144	1000	950	600	520	247	240	985	555
BP-U-600/12-C	168	1200	1150	600	520	247	240	1185	555
BP-U-600/15-C	216	1500	1450	600	520	247	240	1485	555
BP-U-800/7-C	140	700	650	800	720	247	240	685	755
BP-U-800/10-C	210	1000	950	800	720	247	240	985	755
BP-U-800/12-C	245	1200	1150	800	720	247	240	1185	755
BP-U-800/15-C	315	1500	1450	800	720	247	240	1485	755

Flush-Mounting Installation Distribution Boards - 2-Step System

Wall Box - Open for 2-Step System, BPZ-WBO2S

- Depth 1 = 180 mm or Depth 2 = 240 mm
- Easy-to-remove relief stamp
- Suitable for installation of the 2-step flush-mounting door frame
- Material: Sheet steel, zinc-coated
- Scope of delivery: 1 Wall box, fixing material

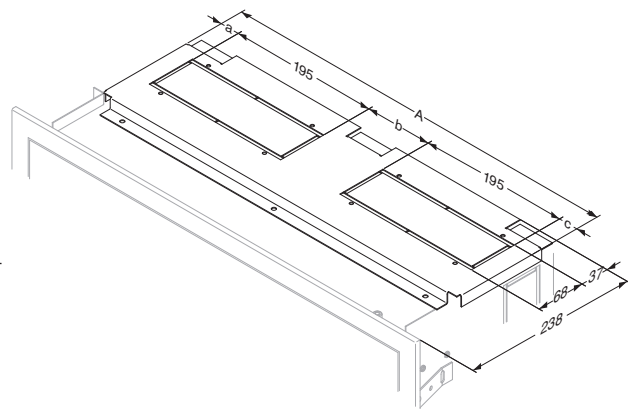


• Dimensions (mm)

	A Outside height	B Outside width	a Distance		A Outside height	B Outside width	a Distance
BPZ-WBO2S-400/4/1	380	323	-	BPZ-WBO2S-800/7/1	680	723	-
BPZ-WBO2S-400/4/2	380	323	-	BPZ-WBO2S-800/7/2	680	723	286
BPZ-WBO2S-400/7/1	680	323	-	BPZ-WBO2S-800/10/1	980	723	-
BPZ-WBO2S-400/7/2	680	323	286	BPZ-WBO2S-800/10/2	980	723	586
BPZ-WBO2S-400/10/1	980	323	-	BPZ-WBO2S-800/12/1	1180	723	-
BPZ-WBO2S-400/10/2	980	323	586	BPZ-WBO2S-800/12/2	1180	723	786
BPZ-WBO2S-400/12/1	1180	323	-	BPZ-WBO2S-800/15/1	1480	723	-
BPZ-WBO2S-400/12/2	1180	323	786	BPZ-WBO2S-800/15/2	1480	723	1086
BPZ-WBO2S-600/4/1	380	523	-	BPZ-WBO2S-1000/10/1	980	923	-
BPZ-WBO2S-600/4/2	380	523	-	BPZ-WBO2S-1000/10/2	980	923	586
BPZ-WBO2S-600/7/1	680	523	-	BPZ-WBO2S-1000/12/1	1180	923	-
BPZ-WBO2S-600/7/2	680	523	286	BPZ-WBO2S-1000/12/2	1180	923	786
BPZ-WBO2S-600/10/1	980	523	-	BPZ-WBO2S-1000/15/1	1480	923	-
BPZ-WBO2S-600/10/2	980	523	586	BPZ-WBO2S-1000/15/2	1480	923	1086
BPZ-WBO2S-600/12/1	1180	523	-	BPZ-WBO2S-1200/12/1	1180	1123	-
BPZ-WBO2S-600/12/2	1180	523	786	BPZ-WBO2S-1200/12/2	1180	1123	786
BPZ-WBO2S-600/15/1	1480	523	-	BPZ-WBO2S-1200/15/1	1480	1123	-
BPZ-WBO2S-600/15/2	1480	523	1086	BPZ-WBO2S-1200/15/2	1480	1123	1086

Top/Bottom Panel for 2-Step System Wall Box, Depth 2 (240 mm), BPZ-WB2STBP

- Only for depth 2
- Blind (without cutout) or with cutout for cable entry
- Easy-to-remove relief stamp
- Suitable for installation on open wall box
- Material: Sheet steel, zinc-coated
- Scope of delivery: 1 Top/bottom panel, fixing material
- Dimensions (mm)

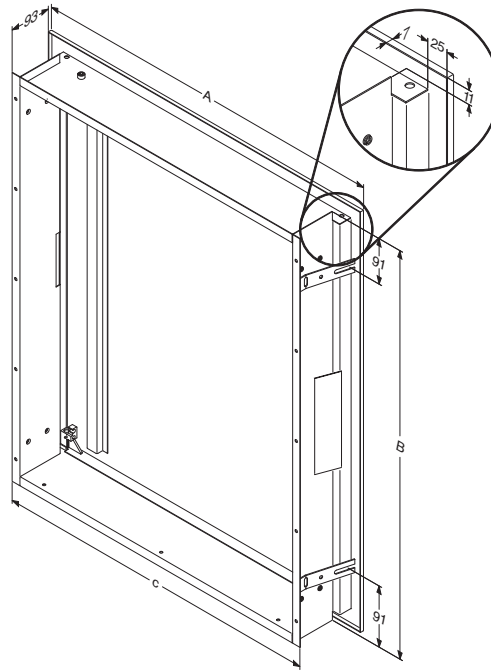


	A Outside width	Outside depth	a Distance	b Distance	c Distance
BPZ-WB2STBP-400/2	329	238	67	-	67
BPZ-WB2STBP-600/2	529	238	25.5	88	25.5
BPZ-WB2STBP-800/2	729	238	25.5	2x 46.5	25.5
BPZ-WB2STBP-1000/2	929	238	25.5	2x 32.67	25.5
BPZ-WB2STBP-1200/2	1129	238	25.5	2x 25.75	25.5

2-Step Flush-Mounting Door Frame, with Door, BP-U

- Material: Sheet steel, powder-coated, RAL 7035
- Scope of delivery: Frame, door with hinges, rotary lock, fixing material for BPZ-MSW mounting side wall
- Dimensions (mm)

	A Outside width	B Outside height	c Inside width
BP-U-400/4	400	400	353
BP-U-400/7	400	700	353
BP-U-400/10	400	1000	353
BP-U-400/12	400	1200	353
BP-U-600/4	600	400	553
BP-U-600/7	600	700	553
BP-U-600/10	600	1000	553
BP-U-600/12	600	1200	553
BP-U-600/15	600	1500	553
BP-U-800/7	800	700	753
BP-U-800/10	800	1000	753
BP-U-800/12	800	1200	753
BP-U-800/15	800	1500	753
BP-U-1000/10	1000	1000	953
BP-U-1000/12	1000	1200	953
BP-U-1000/15	1000	1500	953
BP-U-1200/12	1200	1200	1153
BP-U-1200/15	1200	1500	1153

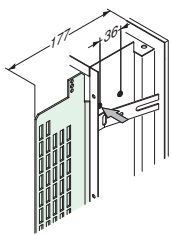


Mounting Side Wall, BPZ-MSW

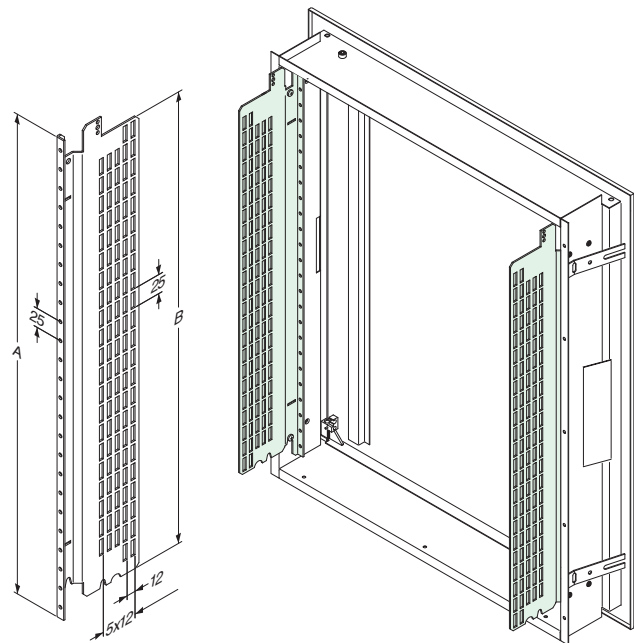
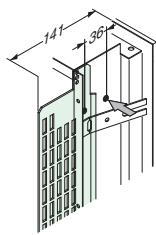
- Suitable for installation on the 2-step flush-mounting door frame with door
- Material: Sheet steel, zinc-coated
- Scope of delivery: 2 Mounting side walls
- Dimensions (mm)

	A Outside height	B Inside height	Outside depth	Frontplate height
BPZ-MSW-4	330	293	117	350
BPZ-MSW-7	630	593	117	650
BPZ-MSW-10	930	893	117	950
BPZ-MSW-12	1130	1093	117	1150
BPZ-MSW-15	1430	1393	117	1450
BPZ-MSW-17	1630	1593	117	1650
BPZ-MSW-20	1930	1893	117	1950

Pos. 1

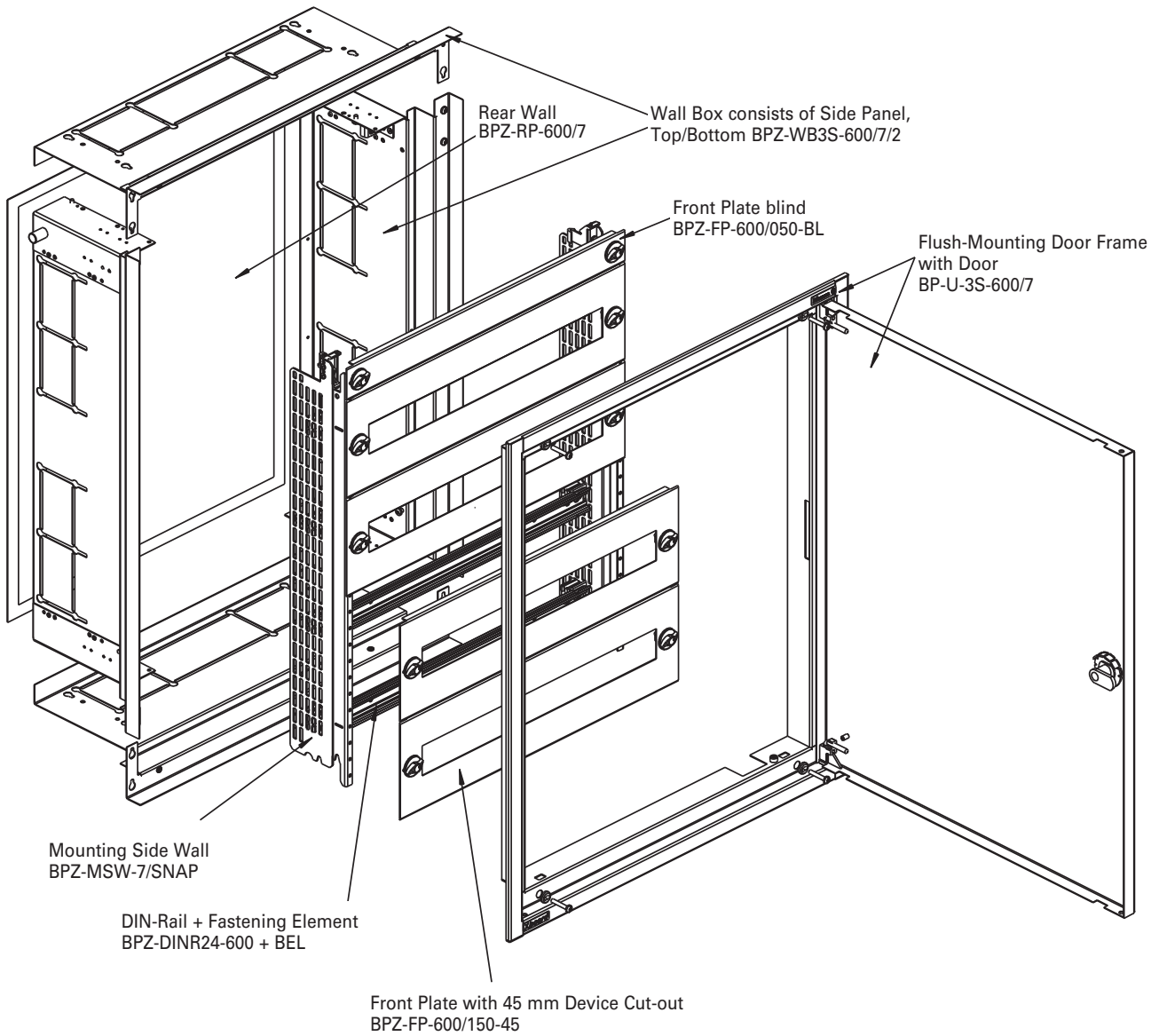


Pos. 2



Wall-Mounted Flush-mounting Distribution Boards - 3-Step-System

System Overview



Flush-Mounting Installation Distribution Boards - 3-Step-System **BP.-U-3S...**

- Grounded metal covers
- Generous wiring space
- Variable interior layout with removable mounting frame
- Structured, multilayer construction for easy accessible installation: mounting sided wall - DIN-rails ... - enclosure
- Reversible door hinging
- Levelling possible to offset surface unevenness of up to 18 mm

Technical Data

Electrical

Design according to	IEC/EN 61439-1/3, IEC/EN 62208
Protection class	I
Degree of protection	IP30, IP43, IP54
Rated voltage	415 VAC / 50Hz
Rated current	630 A
depending on the busbar support system	
Earth connections	
Base frame	M5 earthing point screw
Door	M6 welding bolt

Max. power loss (W) for all devices in the dist. board at 35°C ambient temperature:

BP.-U-3S.../1

Height \ Width (mm)	330	530	730	930	1130
350	37	56	-	-	-
650	57	82	110	-	-
950	77	109	142	142	-
1150	90	128	127	163	220
1450	-	109	150	227	278
1650	-	116	174	247	316
1950	-	131	215	288	372

BP.-U-3S.../2

Height \ Width (mm)	330	530	730	930	1130
350	41	81	-	-	-
650	63	90	118	-	-
950	85	118	129	160	-
1150	99	136	140	187	264
1450	-	122	171	248	309
1650	-	134	203	274	354
1950	-	157	241	325	402

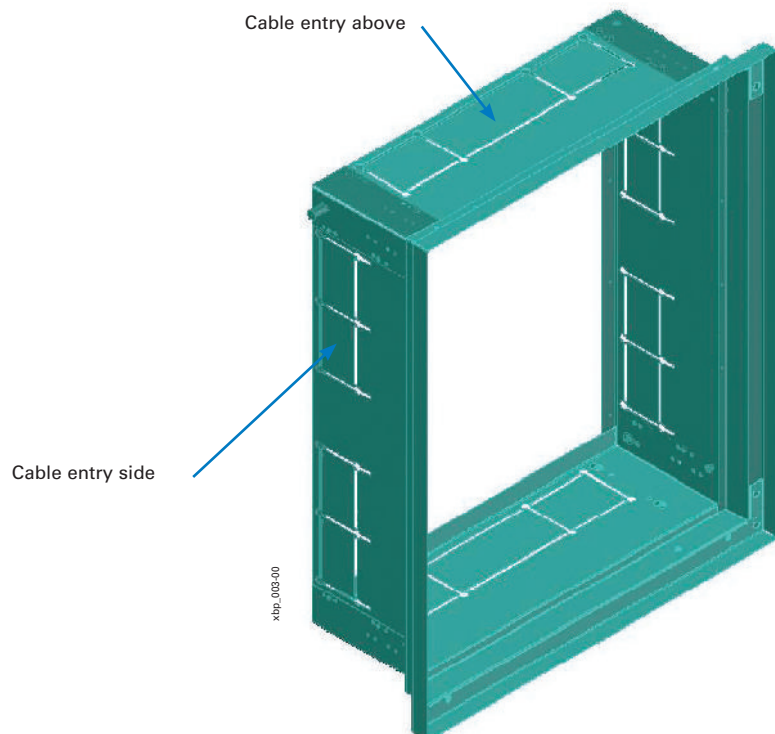
Mechanical

Material	Sheet steel, Aluminium (IP43, IP54)
Paint coat	Phosphatised and polyester-powder-coated
Colour	Grey RAL 7035, white RAL 9016
Door	Flush doors with covered hinges, can be unhinged at an angle of more than 90° Opening angle: 110°
Door lock	Hinged handle with rotary lock; cylinder lock; 3-point lock with clip down handle, Two-way key bit
Shock resistant	IK08

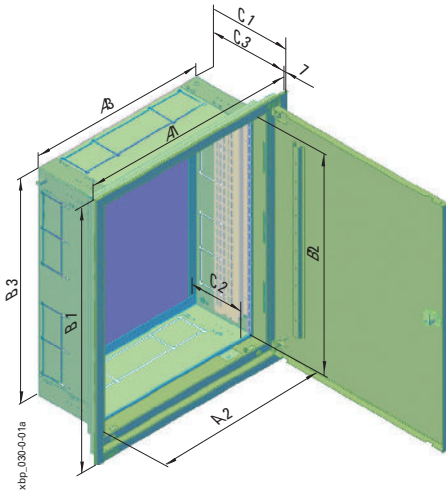
Flush-Mounting Installation Distribution Boards - 3-Step System

Wall Box - for 3-Step System, BPZ-WB3S

- Depth 1 = 180 mm or Depth 2 = 240 mm
- Easy-to-remove relief stamp
- Suitable for installation of the 3-step flush-mounting door frame
- Material: Sheet steel, zinc-coated
- Scope of delivery: 1 Wall box, fixing material



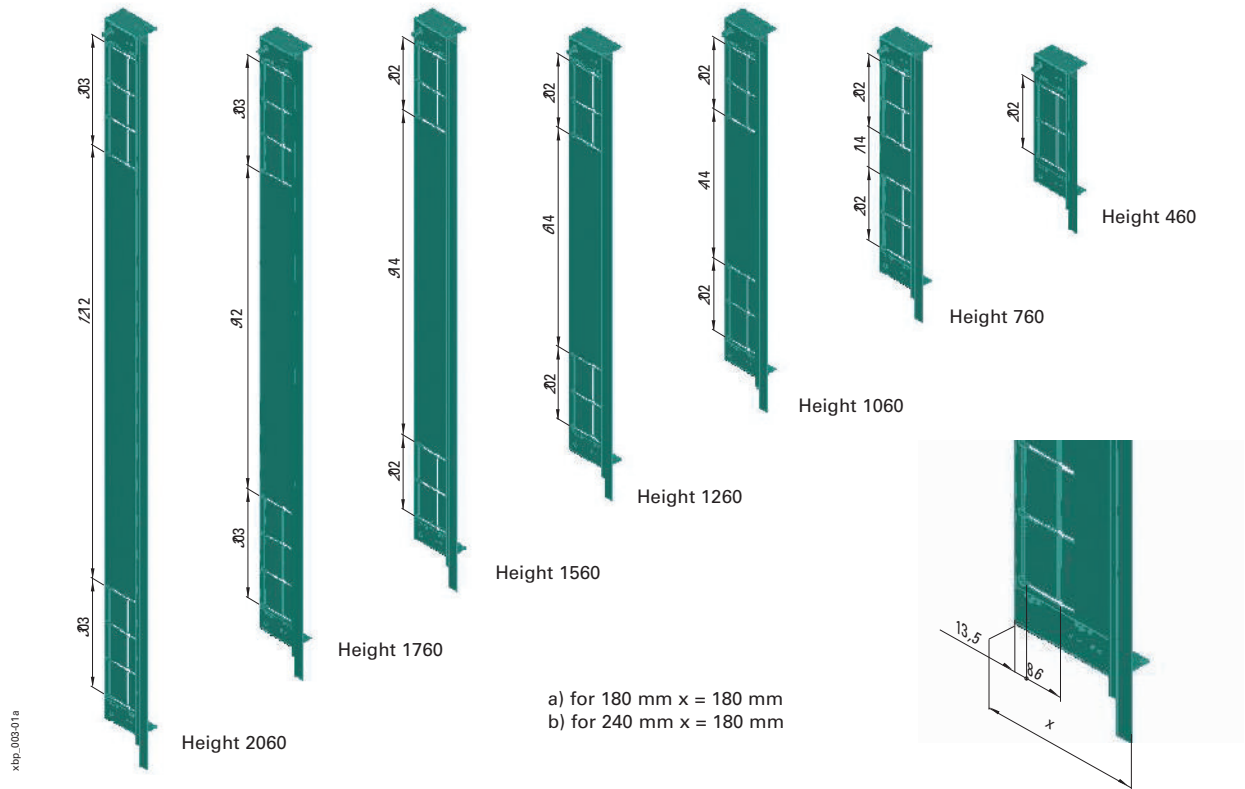
Dimensions (mm)



Type	Outside dimensions			Inside dimensions (front plate)			Embrasure (installation dimensions)		
	Width A1	Height B1	Depth C1	Width A2	Height B2	Depth C2	Width A3	Height B3	Depth C3
...400/4..	435	460	247 / 187	320	350	182 / 122	410	435	240 / 180
...400/7..	435	760	247 / 187	320	650	182 / 122	410	735	240 / 180
...400/10..	435	1060	247 / 187	320	950	182 / 122	410	1035	240 / 180
...400/12..	435	1260	247 / 187	320	1150	182 / 122	410	1235	240 / 180
...600/4..	635	460	247 / 187	520	350	182 / 122	610	435	240 / 180
...600/7..	635	760	247 / 187	520	650	182 / 122	610	735	240 / 180
...600/10..	635	1060	247 / 187	520	950	182 / 122	610	1035	240 / 180
...600/12..	635	1260	247 / 187	520	1150	182 / 122	610	1235	240 / 180
...600/15..	635	1560	247 / 187	520	1450	182 / 122	610	1535	240 / 180
...600/17..	635	1760	247 / 187	520	1650	182 / 122	610	1735	240 / 180
...600/20..	635	2060	247 / 187	520	1950	182 / 122	610	2035	240 / 180
...800/7..	835	760	247 / 187	720	650	182 / 122	810	735	240 / 180
...800/10..	835	1060	247 / 187	720	950	182 / 122	810	1035	240 / 180
...800/12..	835	1260	247 / 187	720	1150	182 / 122	810	1235	240 / 180
...800/15..	835	1560	247 / 187	720	1450	182 / 122	810	1535	240 / 180
...800/17..	835	1760	247 / 187	720	1650	182 / 122	810	1735	240 / 180
...800/20..	835	2060	247 / 187	720	1950	182 / 122	810	2035	240 / 180
...1000/10..	1035	1060	247 / 187	920	950	182 / 122	1010	1035	240 / 180
...1000/12..	1035	1260	247 / 187	920	1150	182 / 122	1010	1235	240 / 180
...1000/15..	1035	1560	247 / 187	920	1450	182 / 122	1010	1535	240 / 180
...1000/17..	1035	1760	247 / 187	920	1650	182 / 122	1010	1735	240 / 180
...1000/20..	1035	2060	247 / 187	920	1950	182 / 122	1010	2035	240 / 180
...1200/12..	1235	1260	247 / 187	1120	1150	182 / 122	1210	1235	240 / 180
...1200/15..	1235	1560	247 / 187	1120	1450	182 / 122	1210	1535	240 / 180
...1200/17..	1235	1760	247 / 187	1120	1650	182 / 122	1210	1735	240 / 180
...1200/20..	1235	2060	247 / 187	1120	1950	182 / 122	1210	2035	240 / 180

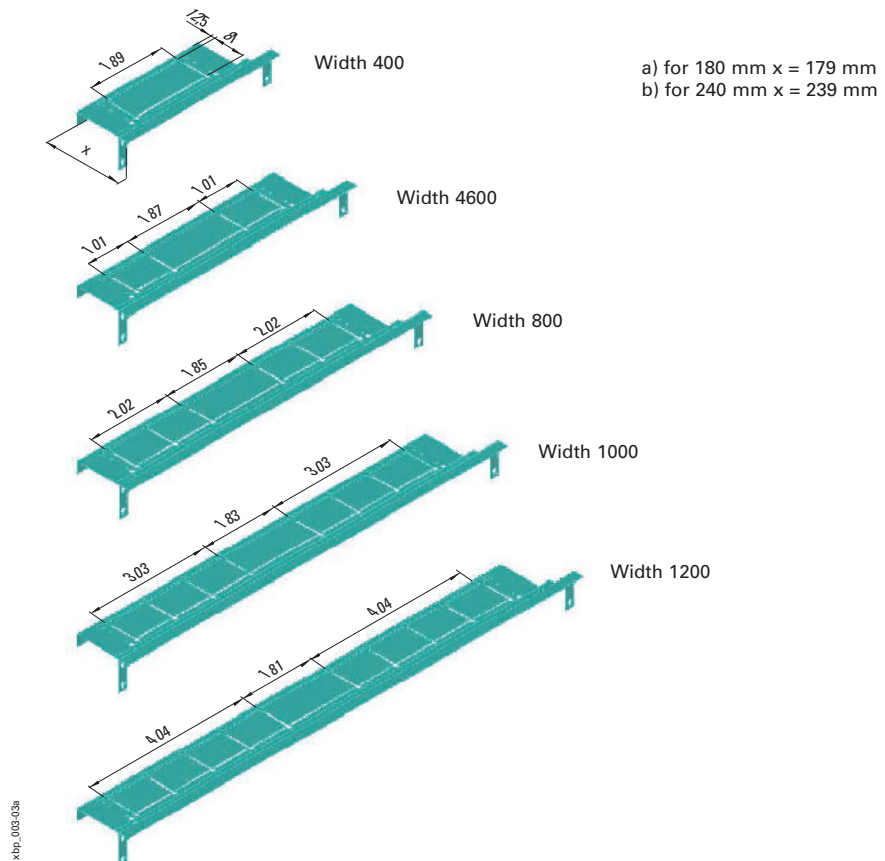
Side panels of wall box BPZ-WB3S

Depth 180, 240



Top and bottom panel of wall box BPZ-WB3S

Depth 180, 240

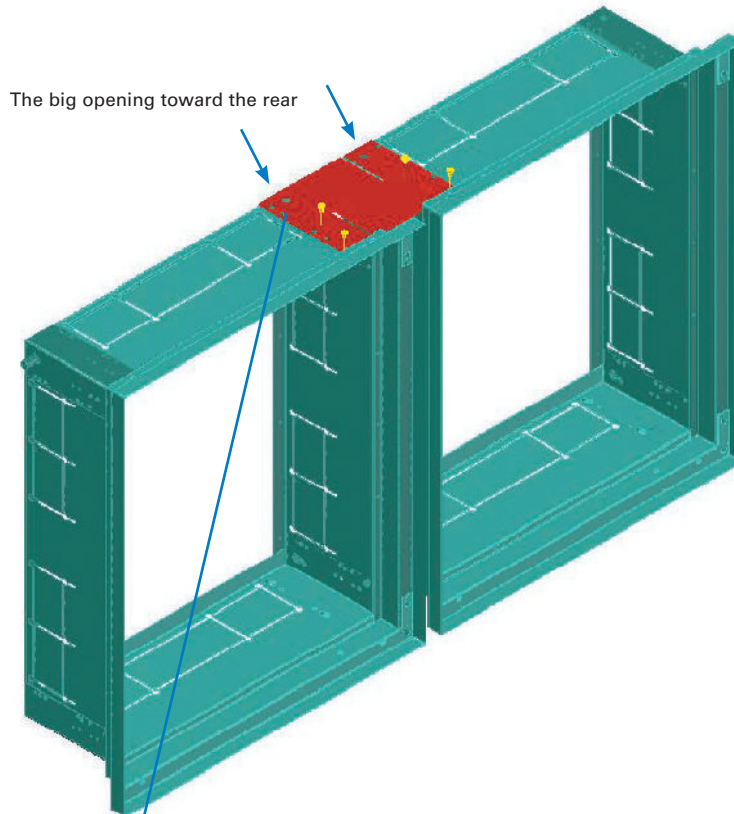


Connecting of flush-mounting boards with BPZ-BR/WB3S

- Use of coupling flange BPZ-BR/WB3S
- The coupling flanges define respective space in between particular wall boxes
- Possible to connect boards in parallel, one above the other or into a cross (i.e. parallel and one above the other at the same time)

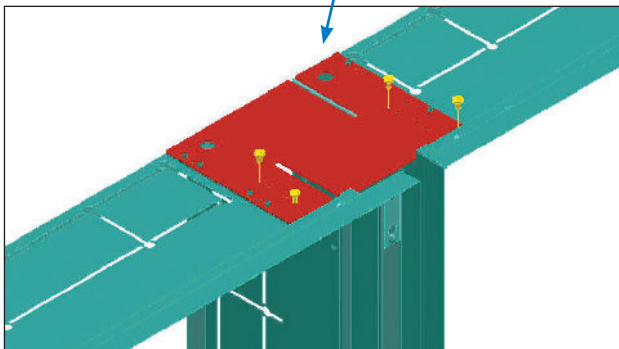
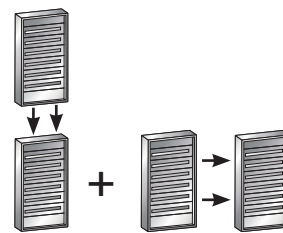
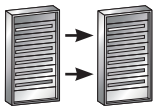
Mounting process:

1. Placing of wall boxes BPZ-WB3S in prallel / one above the other
2. Put of flange BPZ-BR/WB3S. The big opening has to be oriented toward the rear
3. Fixing of the flange by means of screws

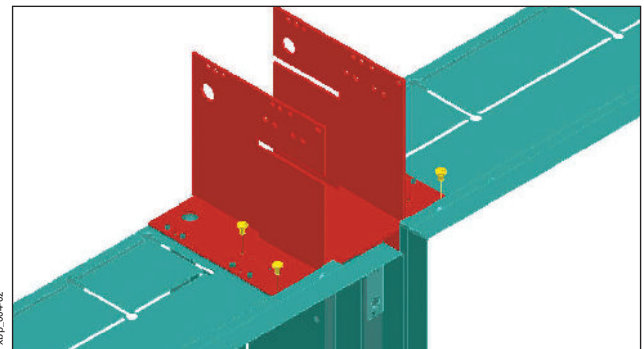


Connection of boards in parallel / above the other

xbp_004-00



xbp_004-01



xbp_004-02

Cross connection of 4 boards (2 x 2)

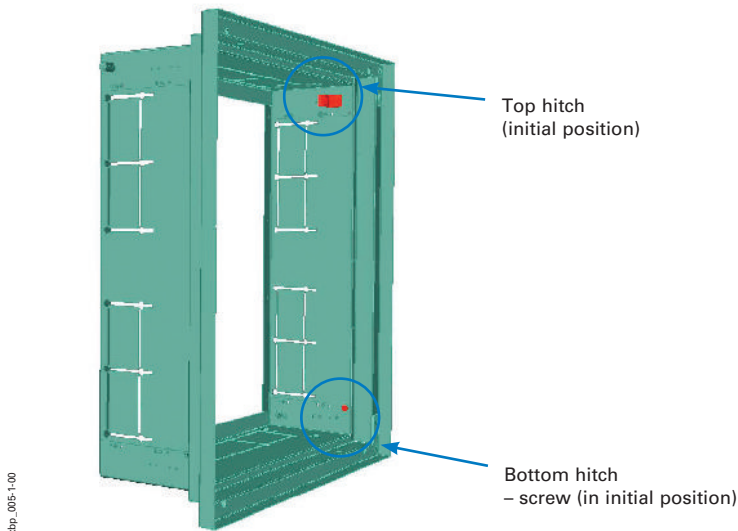
Mounting of side walls BPZ-MSW into wall box BPZ-WB3S

Mounting process:

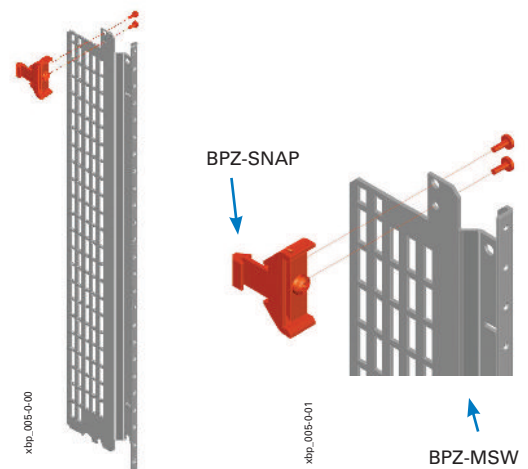
1. Placing of the side wall BPZ-MSW on bottom hitch
2. Tipping of the side wall to correct position. This position is indicated with click of the pawl BPZ-SNAP.
3. Tightening of the top hitch screw
4. Tightening of the bottom hitch screw

Notes:

- Usually, a complete frame (2 side walls, device rails, devices) is mounted
 - For flush-mounting boards, the sidewalls BPZ-MSW have to be equipped with pawls BPZ-SNAP. These pawls do not substitute a function of the original screw.
- The frame has to be fixed with this screw!
- To demount the frame BPZ-MSW, a flat screwdriver is necessary to press away a pin of pawl BPZ-SNAP.

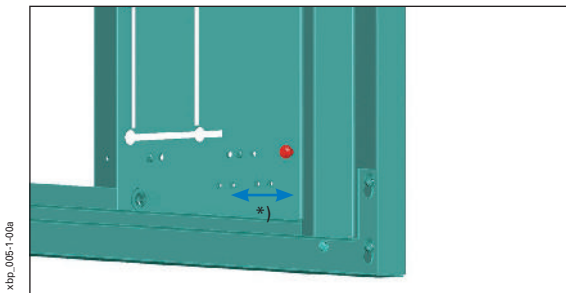


Mounting process for pawl BPZ-SNAP:

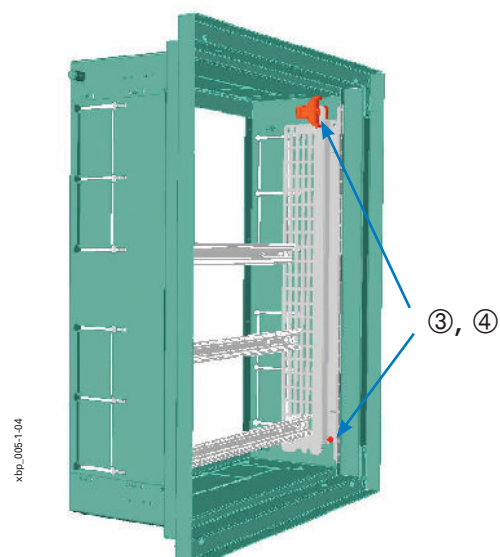
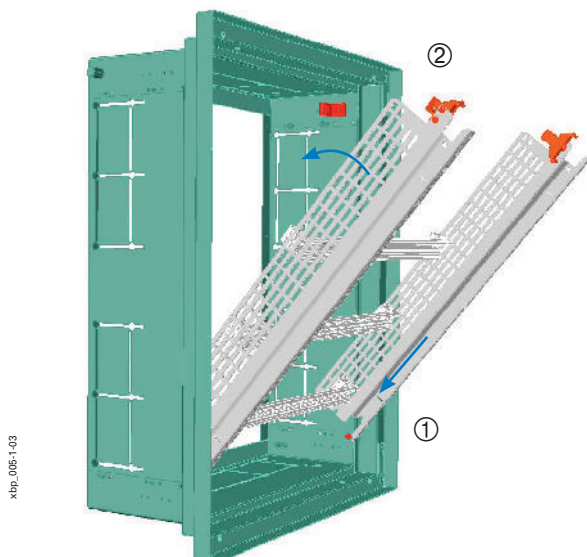
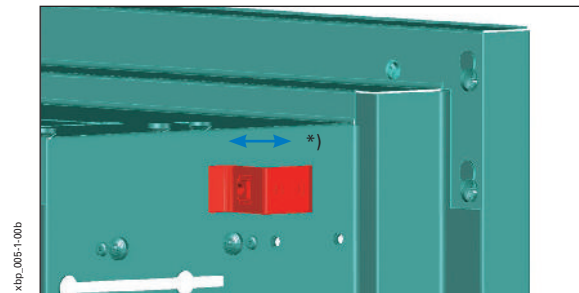


Detail of bottom hitch

*) possibility of change of side wall depth

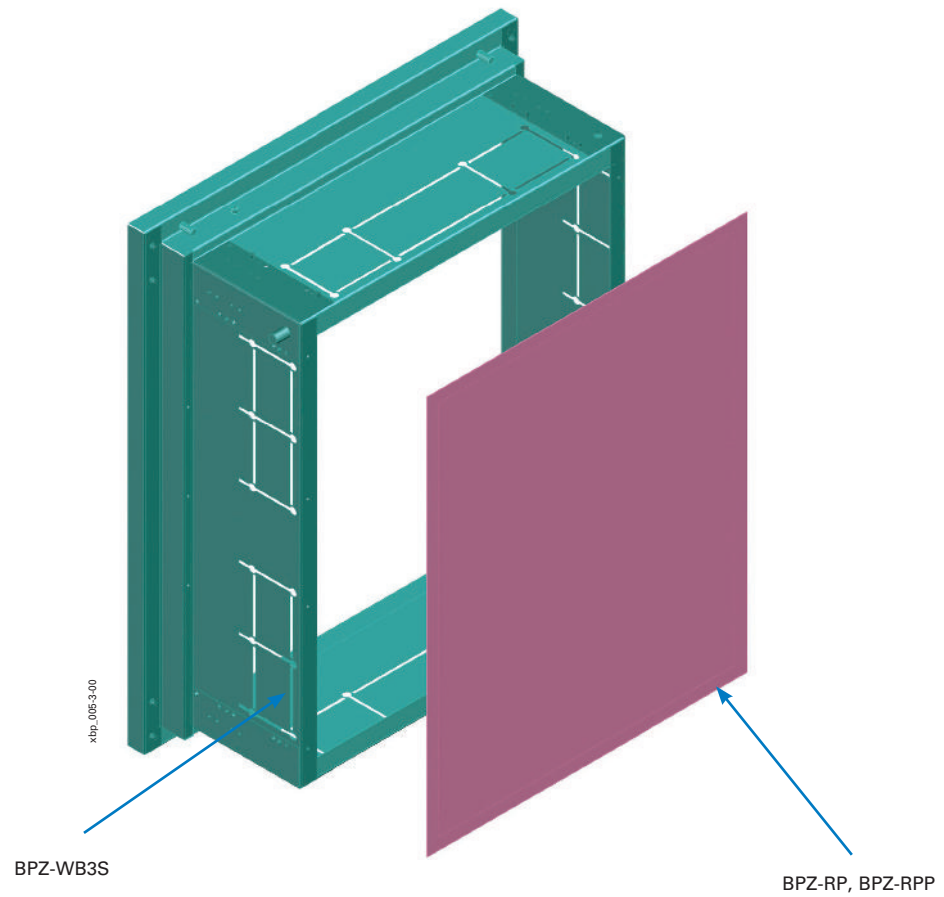


Detail of top hitch



Rear walls, BPZ-RP

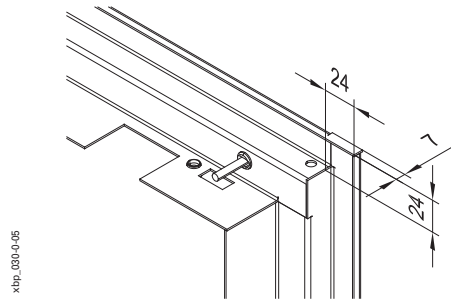
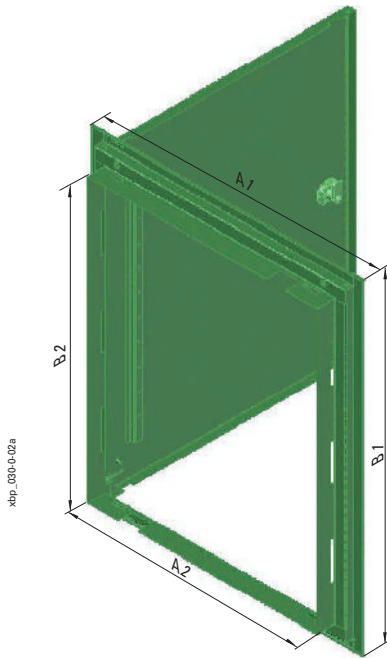
- Rear wall for wall box BPZ-WB3S
- Material: sheet steel, zinc-coated, thickness 1 mm, plastic
- Mounting by means of self-sealing tape
- Scope of delivery: 1 rear panel
- Attention: sheet steel rear wall must be connected through screws into the earthing concept!



3-Step Flush-Mounting Door Frame, with Door, BP.-U-3S...

- IP30 . . . BP-U-3S
- IP43 . . . BPA-U-3S, with foamed sealing and rain bar for outdoor application
- IP54 . . . BPM-U-3S, with foamed sealing for moisture-proof application
- Material: Sheet steel, powder-coated, RAL 7035 or RAL 9016
Aluminium, powder-coated, RAL 7035
- Scope of delivery: Frame, door with hinges
- Attention: Inserting the Flush-Mounting Door Frame BPA-U-3S (IP43) or BPM-U-3S (IP54) in the Wall Box BPZ-WB3S, the facility builder has to ensure waterproofing against the wall covering substrate.

Dimensions [mm]



Type	Outside dimensions		Inside dimensions		Number of locks ¹⁾	
	Width A1	Height B1	Width A2	Height B2	IP30	IP43 IP54
BP.-U-3S-400/4...	435	460	330	360	1	1
BP.-U-3S-400/7...	435	760	330	660	1	2
BP.-U-3S-400/10...	435	1060	330	960	1	2
BP.-U-3S-400/12...	435	1260	330	1160	2	2
BP.-U-3S-600/4...	635	460	530	360	1	1
BP.-U-3S-600/7...	635	760	530	660	1	2
BP.-U-3S-600/10...	635	1060	530	960	1	2
BP.-U-3S-600/12...	635	1260	530	1160	2	2
BP.-U-3S-600/15...	635	1560	530	1460	2	3
BP.-U-3S-600/17...	635	1760	530	1660	3	3
BP.-U-3S-600/20...	635	2060	530	1960	3	3
BP.-U-3S-800/7...	835	760	730	660	1	2
BP.-U-3S-800/10...	835	1060	730	960	1	2
BP.-U-3S-800/12...	835	1260	730	1160	2	2
BP.-U-3S-800/15...	835	1560	730	1460	2	3
BP.-U-3S-800/17...	835	1760	730	1660	3	3
BP.-U-3S-800/20...	835	2060	730	1960	3	3
BP.-U-3S-1000/10...	1035	1060	930	960	1 ²⁾	2 ²⁾
BP.-U-3S-1000/12...	1035	1260	930	1160	2 ²⁾	2 ²⁾
BP.-U-3S-1000/15...	1035	1560	930	1460	2 ²⁾	3 ²⁾
BP.-U-3S-1000/17...	1035	1760	930	1660	3 ²⁾	3 ²⁾
BP.-U-3S-1000/20...	1035	2060	930	1960	3 ²⁾	3 ²⁾
BP.-U-3S-1200/12...	1235	1260	1130	1160	2 ²⁾	2 ²⁾
BP.-U-3S-1200/15...	1235	1560	1130	1460	2 ²⁾	3 ²⁾
BP.-U-3S-1200/17...	1235	1760	1130	1660	3 ²⁾	3 ²⁾
BP.-U-3S-1200/20...	1235	2060	1130	1960	3 ²⁾	3 ²⁾

¹⁾ Number of hinge cut-outs for rotary handles. doors with clip down handle also available.

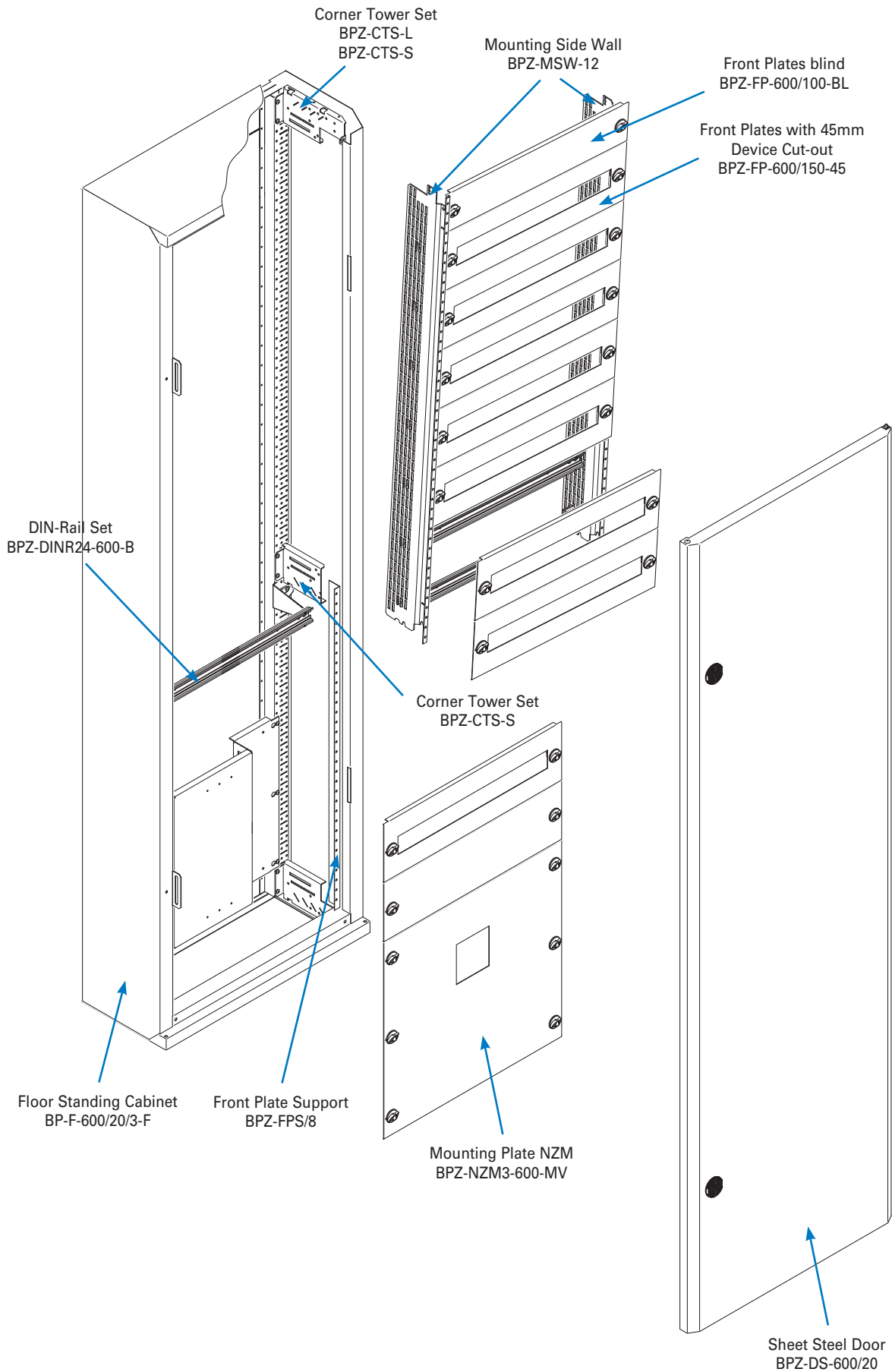
²⁾ Number of locks for the right door. Left door contains two rotary handles in all dimensions.

Separation Frame Set, BPZ-USF

- Only for flush-mounting boards with a width of 1000 and 1200 mm
- Only with MSW application
- For separate a 1000 or 1200 mm board in a 600/400 or 600/600 section
- Material: Sheet steel, powder-coated grey (RAL 7035) and white (RAL 9016)
- Scope of delivery: 1 Separation Frame and fixing material

Floor-Standing Distribution Board BP-F...

System Overview



Floor-Standing Distribution Boards, BP-F-...

- Grounded metal covers
- Excellent stability thanks to the welded construction
- Generous wiring space
- Variable interior layout with/without removable mounting frame
- Structured, multilayer construction for easy accessible installation: base frame - DIN-rails ... - enclosure
- Reversible door hinging

Technical Data

Electrical

Design according to	IEC/EN 61439-1/3, IEC/EN 62208
Protection class	I
Degree of protection	IP30
Rated voltage	415 VAC / 50Hz
Rated current	630 A
depending on the busbar support system	

Earth connections

Base frame	M8 welding bolt
Door	M6 welding bolt

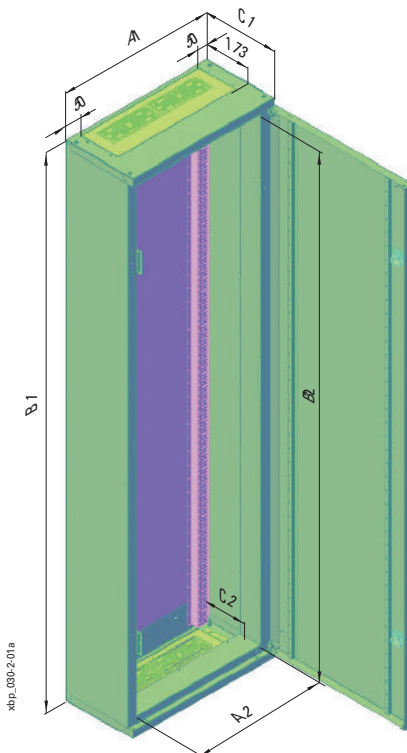
Max. power loss (W) for all devices in the dist. board at 35° C ambient temperature:

Height / Width (mm)	400	600	800	1000	1200
1760	179	258	347	420	478
2060	220	305	320	448	519

Mechanical

Material	Sheet steel
Paint coat	Phosphatised and polyester-powder-coated
Colour	Grey RAL 7035, white RAL 9016
Door	Doors with covered hinges, can be unhinged at an angle of more than 90° Opening angle: 167° (ca. 100° in case of several distribution boards mounted next to each other)
Door lock	Hinged handle with rotary lock; cylinder lock; 3-point lock with clip down handle
Cable entry	Different covers permit cable entry from below and/or above
Shock resistant	IK08

Dimensions (mm)



Type	Outside dimensions			Inside dimensions			Pv W	Number of locks ¹⁾
	Width A1	Height B1	Depth C1 without door / with door	Width A2	Height B2	Depth C2		
BP-F-400/17/3	400	1760	286,5 / 300	320	1650	155	203	2
BP-F-400/20/3	400	2060	286,5 / 300	320	1950	155	225	2
BP-F-600/17/3	600	1760	286,5 / 300	520	1650	155	297	2
BP-F-600/20/3	600	2060	286,5 / 300	520	1950	155	343	2
BP-F-800/17/3	800	1760	286,5 / 300	720	1650	155	387	2
BP-F-800/20/3	800	2060	286,5 / 300	720	1950	155	415	2
BP-F-1000/17/3	1000	1760	286,5 / 300	920	1650	155	455	2 ²⁾
BP-F-1000/20/3	1000	2060	286,5 / 300	920	1950	155	511	2 ²⁾
BP-F-1200/17/3	1200	1760	286,5 / 300	1120	1650	155	545	2 ²⁾
BP-F-1200/20/3	1200	2060	286,5 / 300	1120	1950	155	561	2 ²⁾
BP-F-400/20/2,5	400	2060	236,5 / 250	320	1950	185*	196	2
BP-F-600/20/2,5	600	2060	236,5 / 250	520	1950	185*	316	2
BP-F-800/20/2,5	800	2060	236,5 / 250	720	1950	185*	386	2
BP-F-1000/20/2,5	1000	2060	236,5 / 250	920	1950	185*	468	2 ²⁾
BP-F-1200/20/2,5	1200	2060	236,5 / 250	1120	1950	185*	535	2 ²⁾
BP-F-400/20/4	400	2060	386,5 / 400	320	1950	255	293	2
BP-F-600/20/4	600	2060	386,5 / 400	520	1950	255	388	2
BP-F-800/20/4	800	2060	386,5 / 400	720	1950	255	480	2
BP-F-1000/20/4	1000	2060	386,5 / 400	920	1950	255	556	2 ²⁾
BP-F-1200/20/4	1200	2060	386,5 / 400	1120	1950	255	624	2 ²⁾

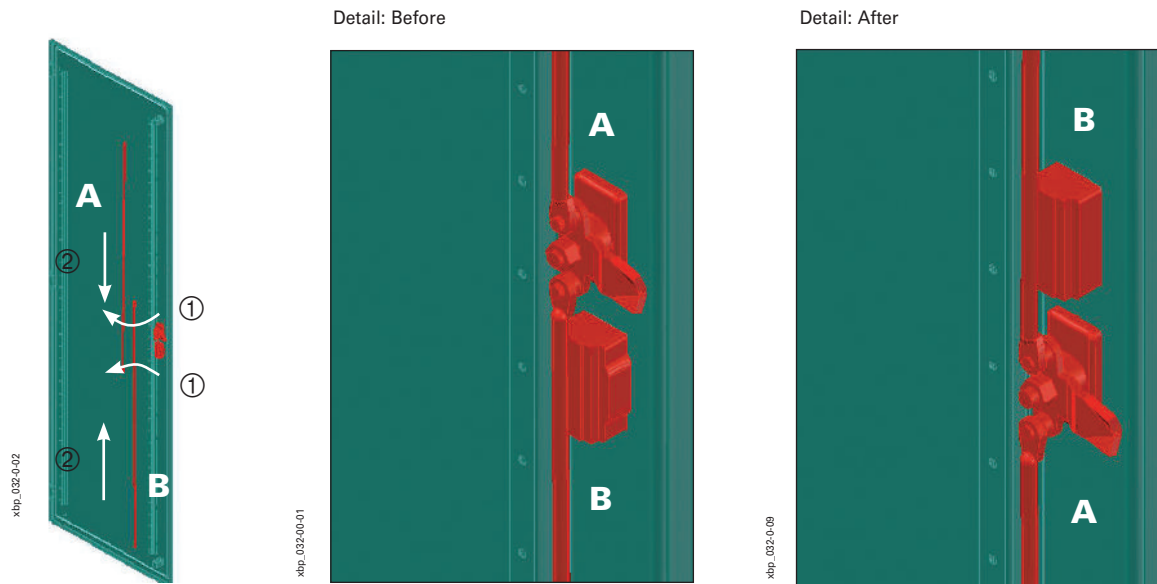
* no assembly spar (only MSW construction)

¹⁾ Number of hinge cut-outs for rotary handles. doors with clip down handle also available.

²⁾ Number of locks for the right door. Left door contains two rotary handles in all dimensions.

Change of clip down handle for change of direction of opening of door

1. Demounting of rods – removing from lock mechanism
2. Demounting of rods – taking out from fastening lugs

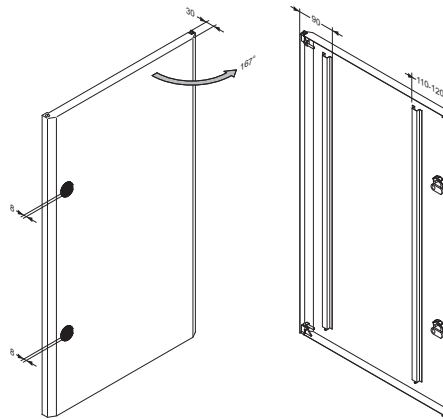


Sheet Steel Doors, BPZ-DS

- Front-mounted
- Quick mounting and removing of the door
- Right or left hinged
- Opening angle 167°
- 1-point lock through rotary lock, 3-point lock through clip-down handle
- Material: Sheet steel, powder-coated, RAL 7035 or RAL 9016
- Weight (kg):

Width (mm)	400	600	800	600+400	600+600
Height 1700	6,2	9	11,8	9+6,5	9+9,1
Height 2000	7,3	10,6	13,8	10,6+7,7	10,6+10,6

- Scope of delivery: 1 Door

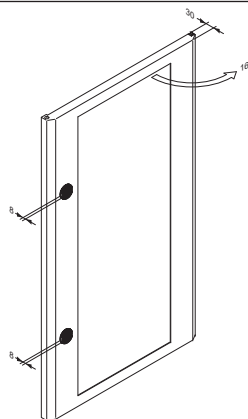


Transparent Doors (Sheet Steel), BPZ-DT

- Front-mounted
- Quick mounting and removing of the door
- Right or left hinged
- Opening angle 167°
- 1-point lock through rotary lock, 3-point lock through clip-down handle
- Material: Sheet steel, powder-coated, RAL 7035 or RAL 9016, 4mm tempered safety glass according to EN 12150-1 or DIN 1249
- Weight (kg):

Width (mm)	400	600	800	600+400	600+600
Height 1700	8,1	13,3	16	13,3+10,9	13,3+16,9
Height 2000	9,4	15,6	18,6	15,6+12,7	15,6+19,8

- Scope of delivery: 1 Door



Floor-Standing Distribution Boards, BPM-F...

- Grounded metal covers
- Excellent stability thanks to the welded construction
- Generous wiring space
- Variable interior layout with/without removable mounting frame
- Structured, multilayer construction for easy accessible installation: base frame - DIN-rails ... - enclosure
- Reversible door hinging

Technical Data

Electrical

Design according to	IEC/EN 61439-1/3, IEC/EN 62208
Protection class	I
Degree of protection	IP54
Rated voltage	415 VAC / 50Hz
Rated current	630 A
depending on the busbar support system	
Earth connections	
Base frame	M8 welding bolt
Door	M6 welding bolt

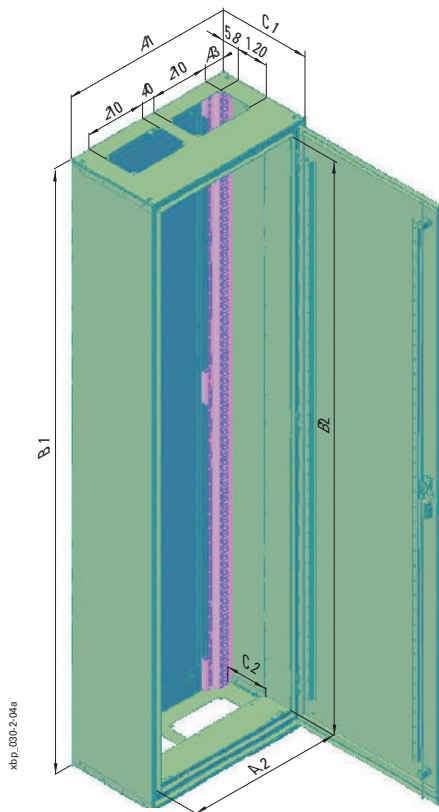
Max. power loss (W) for all devices in the dist. board at 35° C ambient temperature:

Height / Width (mm)	400	600	800	1000	1200
1760	188	268	362	431	490
2060	231	317	395	457	533

Mechanical

Material	Sheet steel
Paint coat	Phosphatised and polyester-powder-coated
Colour	Grey RAL 7035
Door	Doors with covered hinges, Opening angle: 100°
Door lock	Two-way key bit, clip down handle
Cable entry	Open cable entry below and/or above, prepared for F3A-Flanges
Shock resistant	IK08

Dimensions (mm)



Type	Outside dimensions			Inside dimension			Flanges		Number of locks ¹⁾
	Width A1	Height B1	Depth C1	Width A2	Height B2	Depth C2	A3	Amount of F3A flanges ³⁾	
BPM-F-400/17	400	1760	320	320	1650	155	94	1 / 1	3
BPM-F-400/20	400	2060	320	320	1950	155	94	1 / 1	3
BPM-F-600/17	600	1760	320	520	1650	155	69	2 / 2	3
BPM-F-600/20	600	2060	320	520	1950	155	69	2 / 2	3
BPM-F-800/17	800	1760	320	720	1650	155	44	3 / 3	3
BPM-F-800/20	800	2060	320	720	1950	155	44	3 / 3	3
BPM-F-1000/17	1000	1760	320	920	1650	155	144	3 / 3	3 ²⁾
BPM-F-1000/20	1000	2060	320	920	1950	155	144	3 / 3	3 ²⁾
BPM-F-1200/17	1200	1760	320	1120	1650	155	119	4 / 4	3 ²⁾
BPM-F-1200/20	1200	2060	320	1120	1950	155	119	4 / 4	3 ²⁾

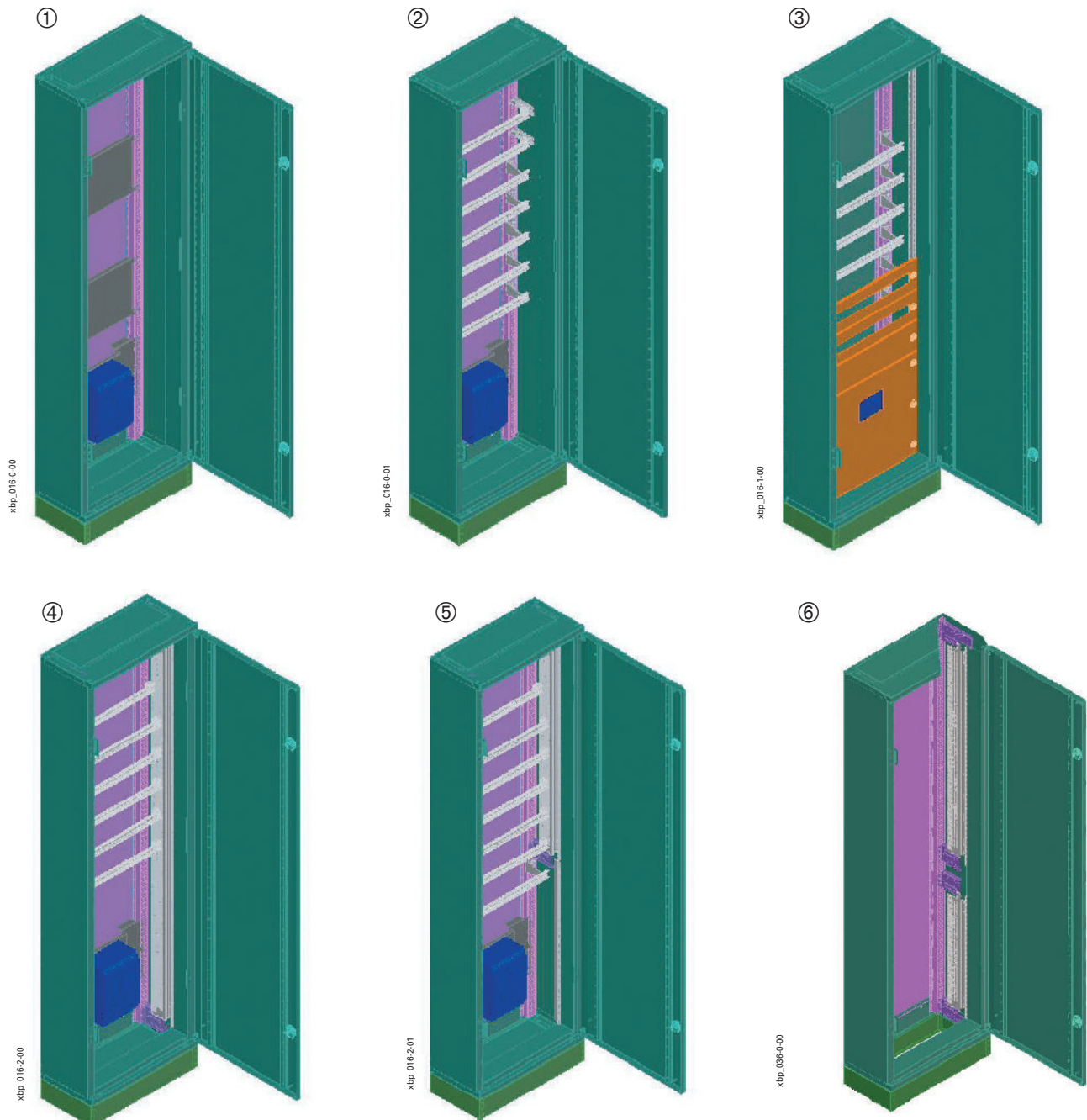
¹⁾ Number of hinge cut-outs for rotary handles. doors with clip down handle also available.

²⁾ Number of locks for the right door. Left door contains two rotary handles in all dimensions.

³⁾ Number of cut outs for F3A flanges on top/on bottom.

Possible variants of inside configuration of BP(M)-F

- Installation of inside equipment is identical for both versions BP-F with IP30 and BPM-F with IP54
1. **Installation of mounting plates BPZ-MPL and mounting sets (e.g. BPZ-NZM) directly onto rear frame.** Frontplates can be equipped by means of supports BPZ-FPS.
 2. **Simultaneous installation of mounting plates BPZ-MPL or mounting sets (e.g. BPZ-NZM) and device rails directly onto rear frame.** Device rails can be fitted either with towers BPZ-TF/2 (set with rail BPZ-DINR13-...-B) for standard depth or directly onto rear frame for maximum depth. The other depths between these two utmost ones can be reached with towers BPZ-TA/2 (set with rail BPZ-DINR13-...-T). For this tower, the device rail is fitted by means of fastening elements BEL.
 3. **Example of mounting of frontplates by means of support BPZ-FPS.**
 4. **Application of mounting side walls BPZ-MSW.** Device rails are mounted onto BPZ-MSW by means of fastening elements BEL. Mounting plates and device rails can be fitted directly onto rear frame, as well. Front plates are fastened onto side walls BPZ-MSW for whole board height. Installation of the mounting frame BPZ-MSW is the same as for surface mounting board, i.e. by means of corner towers BPZ-CTS-L. Corner towers BPZ-CTS-L are not in scope of delivery of the board itself.
 5. **Application of mounting side walls BPZ-MSW for partial height of the board.** Suitable e.g. for combination of input power section and installation section in a single board. Short side walls BPZ-MSW are mounted by means of towers BPZ-CTS-L in the corners and towers BPZ-CTS-S in the middle of the board. The towers are not in a scope of delivery of the board. Frontplates are mounted onto BPZ-MSW in the installation section. If the frontplates are asked also for power section, support BPZ-FPS with appropriate length is used for their fixing.
 6. **Application of mounting side walls BPZ-MSW for more sections.** Suitable e.g. for easier mounting of heavy equipment, for splitting up into heavy current and weak current section etc. It is necessary to pay attention to correct position of the tower BPZ-CTS-S (the cutout has to be located at the opposite side to BPZ-MSW).



Mounting Inserts, BPZ-MES

- Overview of all available inserts with front plates. Insert fits in Wall-mounting-, Flush-mounting- and Open distribution boards. With MSW application.

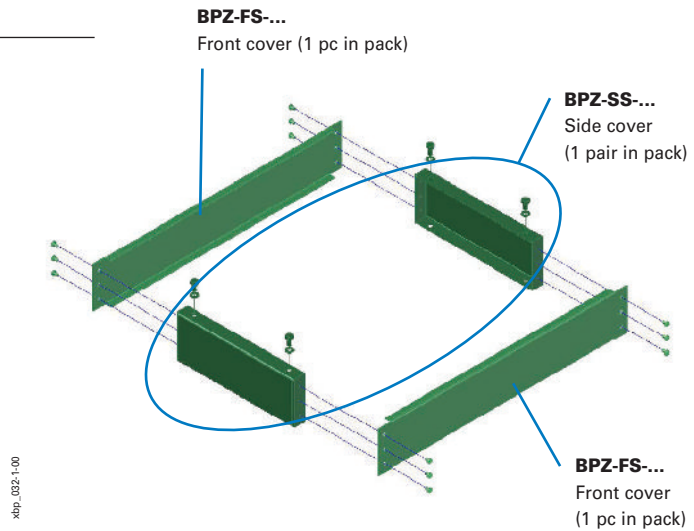
	<p>BPZ-MES-600/4</p> <p>48 MU</p>			
<p>BPZ-MES-400/7</p> <p>52 MU</p>	<p>BPZ-MES-600/7</p> <p>96 MU</p>			
<p>BPZ-MES-400/10</p> <p>65 MU</p>	<p>BPZ-MES-600/10</p> <p>120 MU</p>	<p>BPZ-MES-800/10</p> <p>175 MU</p>	<p>BPZ-MES-1000/10</p> <p>230 MU</p>	
<p>BPZ-MES-400/12</p> <p>78 MU</p>	<p>BPZ-MES-600/12</p> <p>144 MU</p>	<p>BPZ-MES-800/12</p> <p>210 MU</p>	<p>BPZ-MES-1000/12</p> <p>276 MU</p>	<p>BPZ-MES-1200/12</p> <p>342 MU</p>
	<p>BPZ-MES-600/15</p> <p>168 MU</p>	<p>BPZ-MES-800/15</p> <p>245 MU</p>	<p>BPZ-MES-1000/15</p> <p>322 MU</p>	<p>BPZ-MES-1200/15</p> <p>399 MU</p>
	<p>BPZ-MES-600/17</p> <p>192 MU</p>	<p>BPZ-MES-800/17</p> <p>280 MU</p>	<p>BPZ-MES-1000/17</p> <p>368 MU</p>	<p>BPZ-MES-1200/17</p> <p>456 MU</p>
	<p>BPZ-MES-600/20</p> <p>216 MU</p>	<p>BPZ-MES-800/20</p> <p>315 MU</p>	<p>BPZ-MES-1000/20</p> <p>414 MU</p>	<p>BPZ-MES-1200/20</p> <p>513 MU</p>

Front cover for base, BPZ-FS-..

- Height: 100 mm or 200 mm
- Material: Sheet steel, powder-coated, RAL 7035 and RAL 9016
- Scope of delivery: 1 Front cover, fixing material

Side cover for base, BPZ-SS-..

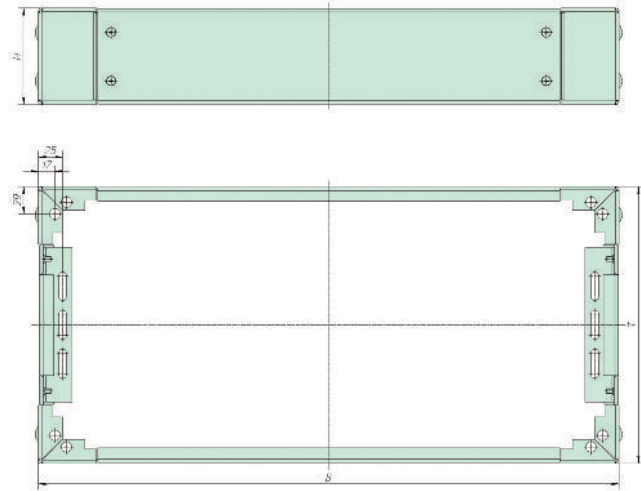
- Height: 100 mm or 200 mm
- Material: Sheet steel, powder-coated, RAL 7035 and RAL 9016
- Scope of delivery: 2 Side covers, fixing material



Cable Interconnect Frame, BPZ-KR...

- Height: 100mm or 200mm
- Material: Sheet steel, powder-coated, RAL 7035 or RAL 9016 (BPZ-KR.../300-W)
- Scope of delivery: 1 Cable interconnect frame including fixing material without cable strain-relief rail
- Dimensions (mm):

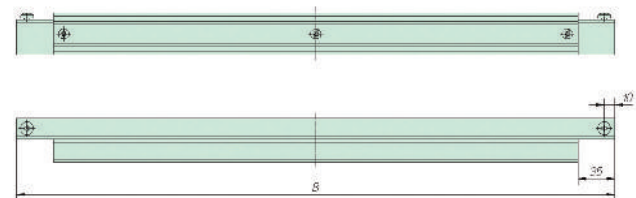
Type	W	H	D
BPZ-KR41/300(-W)	400	100	286.5
BPZ-KR42/300(-W)	400	200	286.5
BPZ-KR61/300(-W)	600	100	286.5
BPZ-KR62/300(-W)	600	200	286.5
BPZ-KR81/300(-W)	800	100	286.5
BPZ-KR82/300(-W)	800	200	286.5
BPZ-KR121/300(-W)	1200	100	286.5
BPZ-KR122/300(-W)	1200	200	286.5
BPZ-KR41/320(-W)	400	100	320
BPZ-KR42/320(-W)	400	200	320
BPZ-KR61/320(-W)	600	100	320
BPZ-KR62/320(-W)	600	200	320
BPZ-KR81/320(-W)	800	100	320
BPZ-KR82/320(-W)	800	200	320
BPZ-KR121/320(-W)	1200	100	320
BPZ-KR122/320(-W)	1200	200	320



Cable Strain-Relief Rail, BPZ-KFS

- Material: Sheet steel, galvanized
- C-Profile 16 mm, for hammerfoot yoke clamps
- Scope of delivery: 1 Cable strain-relief rail incl. fixing material
- Dimensions (mm):

Type	B
BPZ-KFS400	370
BPZ-KFS600	570
BPZ-KFS830	800
BPZ-KFS1200	1170



Vertical Division in a Surface-Mounted Installation DB as of 800 mm width, IP30 and IP54

- The interior layout can be divided into different sub-divisional widths by using vertical profiles
- Not suitable for a layout including a mounting side-panel (BPZ-MSW)
- In addition, there is also a possibility to use partitions between these individual compartments
- Vertical division in a wall-mounted distribution board is possible as of a width of 800 mm, in a floor-standing distribution board of a width of 1000 or 1200 mm only

Fixing Profile for Divided Set-up in a Wall-mounted Distribution Board, BPZ-SFB

- This profile can directly be fixed at the frame and serves as an element for fixing the other setup posts at the rear
- When used in an IP30 enclosure, the bar must be shortened on both ends
- Material: Sheet steel (2 mm), galvanized
- Scope of delivery: 2 Fixing profiles (for top and bottom), fixing accessories

Set for Divided Setup, BPZ-SF

- For setting up the divided sections required in the enclosure
- Set consisting of setup posts (rear-mounted) and cover frame (front-mounted)
- An overview of all layout types possible is provided on the next page
- Material
 - Setup posts: Sheet steel (1.5 mm), galvanized
 - Front cover: Sheet steel (1 mm), powder-coated, RAL 7035
- Scope of delivery: Depending on the type with either 1 or 2 setup posts, 1 cover frame, fixing accessories

Sheet-Steel Door as a Front Cover for the 200 mm Compartment in a Divided Setup, BPZ-CD-200/..

- To protect the 200 mm compartment from unauthorized access
- The door is right-hinged, pivoting and removable when necessary
- Metal door to make contact with the enclosure
- Material: Sheet steel (1.5 mm), powder-coated, RAL 7035
- Scope of delivery: 1 Door incl. mounting frame, fixing accessories

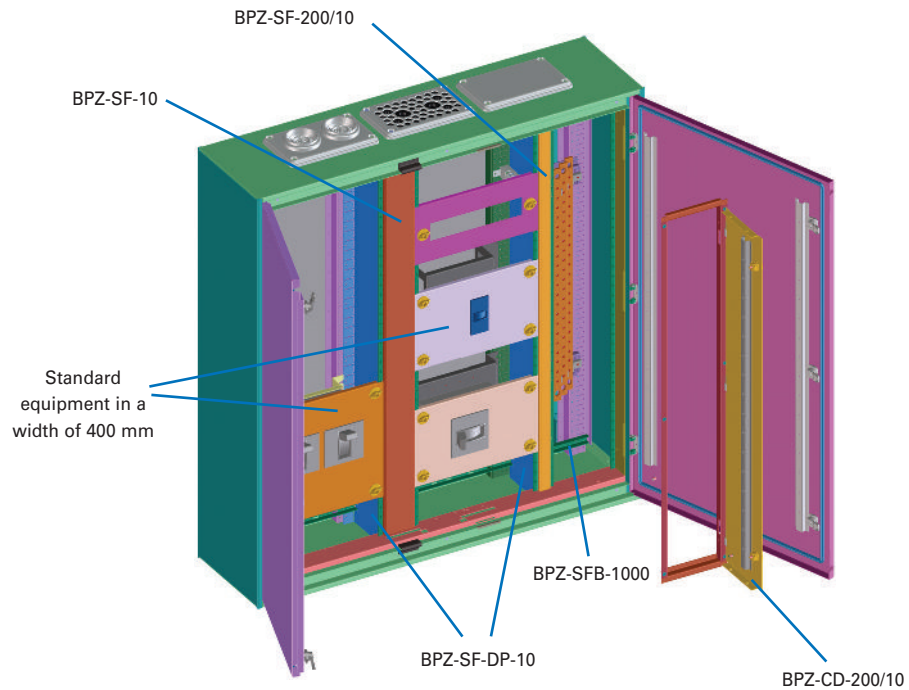
Partition for Divided Setup, BPZ-SF-DP-..

- For vertical partition between 2 sub-sections within one enclosure
- To be mounted on the rear setup posts
- Material: Sheet steel (1.5 mm), galvanized
- Scope of delivery: 1 Partition, mounting accessories

Possible Variants for Vertical Division in a Surface-Mounted Installation Distribution Board IP30 and IP54

Type / Enclosure width [mm]	Compartment width [mm]					Parts required depending on division of the enclosure		
	1000	800	600	400	200	Fixing profile	BPZ-SF	BPZ-SF-200
Wall-mounted enclosure 800 mm	-	-	-	2x	-	BPZ-SFB-800	1x	-
Wall-mounted enclosure 800 mm	-	-	1x	-	1x	BPZ-SFB-800	-	1x
Wall-mounted enclosure 1000 mm *)	-	-	-	2x	1x	BPZ-SFB-1000	1x	1x
Wall-mounted enclosure 1000 mm	-	-	1x	1x	-	BPZ-SFB-1000	1x	-
Wall-mounted enclosure 1000 mm	-	1x	-	-	1x	BPZ-SFB-1000	-	1x
Wall-mounted enclosure 1200 mm	-	-	-	3x	-	BPZ-SFB-1200	2x	-
Wall-mounted enclosure 1200 mm	-	-	1x	1x	1x	BPZ-SFB-1200	1x	1x
Wall-mounted enclosure 1200 mm	-	-	2x	-	-	BPZ-SFB-1200	1x	-
Wall-mounted enclosure 1200 mm	-	1x	-	1x	-	BPZ-SFB-1200	1x	-
Wall-mounted enclosure 1200 mm	1x	-	-	-	1x	BPZ-SFB-1200	-	1x
Floor-standing enclosure 1000 mm	-	-	1x	1x	-	-	1x	-
Floor-standing enclosure 1200 mm	-	-	-	3x	-	-	2x	-
Floor-standing enclosure 1200 mm	-	-	2x	-	-	-	1x	-
Floor-standing enclosure 1200 mm	-	1x	-	1x	-	-	1x	-

*) See example of application

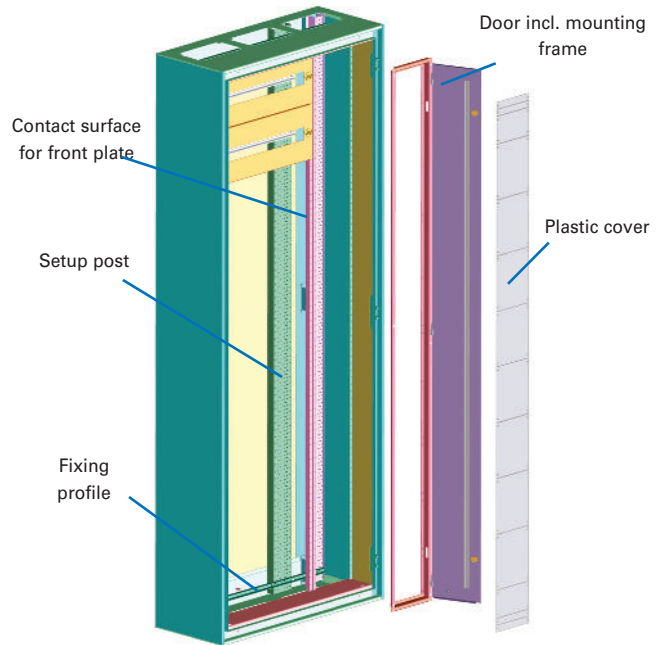


Example of application
(wall-mounted enclosure IP54
in a width of 1000 mm
with a divided setup
400 / 400 / 200 mm)

Set for Internal Cable Area available as a Complete Kit, BPZ-ICD-..

- Suitable for wall-mounted (height 15) and floor-standing enclosures, each of them can be realised in a width of 800 and 1000 mm
- The cable area can either be mounted on the left or on the right side of the enclosure
- The door is right-hinged and pivoting, removable when necessary
- The metal door makes contact with the enclosure
- The plastic cover serves as an additional protection when the door to the cable area is open
- Material
 - Fixing profiles: Sheet steel (2 mm), galvanized
 - Setup post: Sheet steel (1.5 mm), galvanized
 - Contact surface for front plate: Sheet steel (1.5 mm), galvanized
 - Door/frame: Sheet steel (1.5 mm), powder-coated, RAL 7035
 - Plastic cover: 2 mm PVC, transparent
- Scope of delivery: 2 Fixing profiles (for top and bottom), 1 setup post, 1 contact surface for front plate, 1 door incl. mounting frame, 1 plastic cover, mounting accessories

Example of application (floor-standing enclosure IP54 in a width of 800 mm incl. cable area of 200 mm)

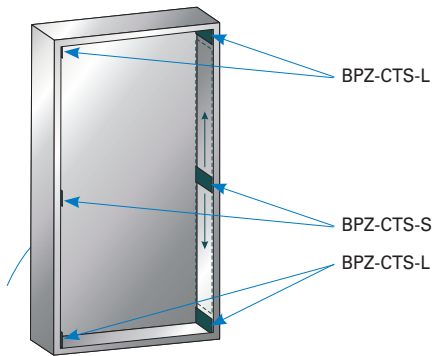


Front Plate Support, BPZ-FPS

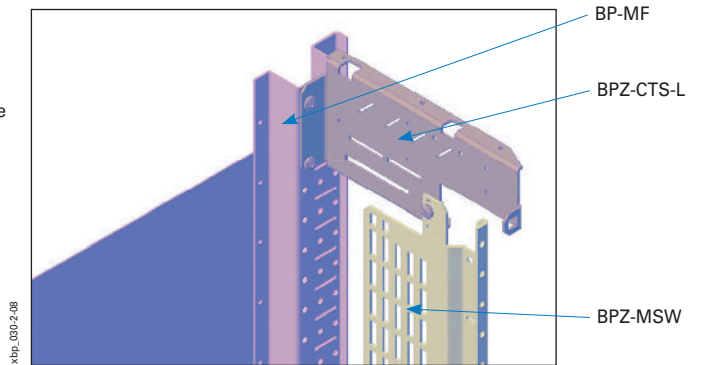
- For fixing the front plates
- Mounting of front plates without using BPZ-MSW
- Enables combination of an installation section with and without MSW in one board
- For mounting of floor standing distribution boards flexible assembly BP-F-...F
- Material: 2mm sheet steel, galvanized
- Scope of delivery: 1 Pair of front plate supports, fixing material

Corner tower set, BPZ-CTS

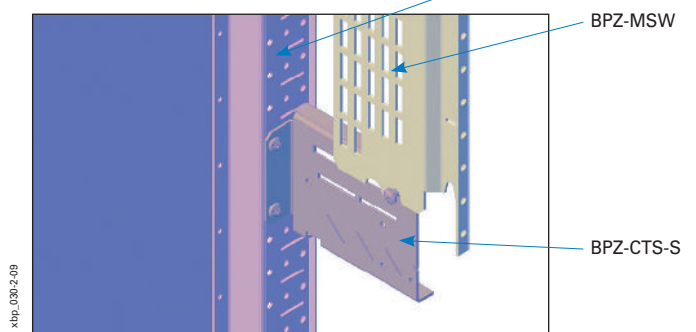
- Mounted directly on the system perforation pattern of the base frame BP-MF
- For fixing the terminal support bar BPZ-TSB
- For fixing the mounting side walls BPZ-MSW
- If towers BPZ-CTS-S are mounted for short side walls BPZ-MSW, it is necessary to pay attention to correct orientation of the towers. The square cutout in tower bend has to be on the other side to BPZ-MSW.
- Scope of delivery: 1 pair of towers (for left and right side), fixing material
- Mounting position:



Detail

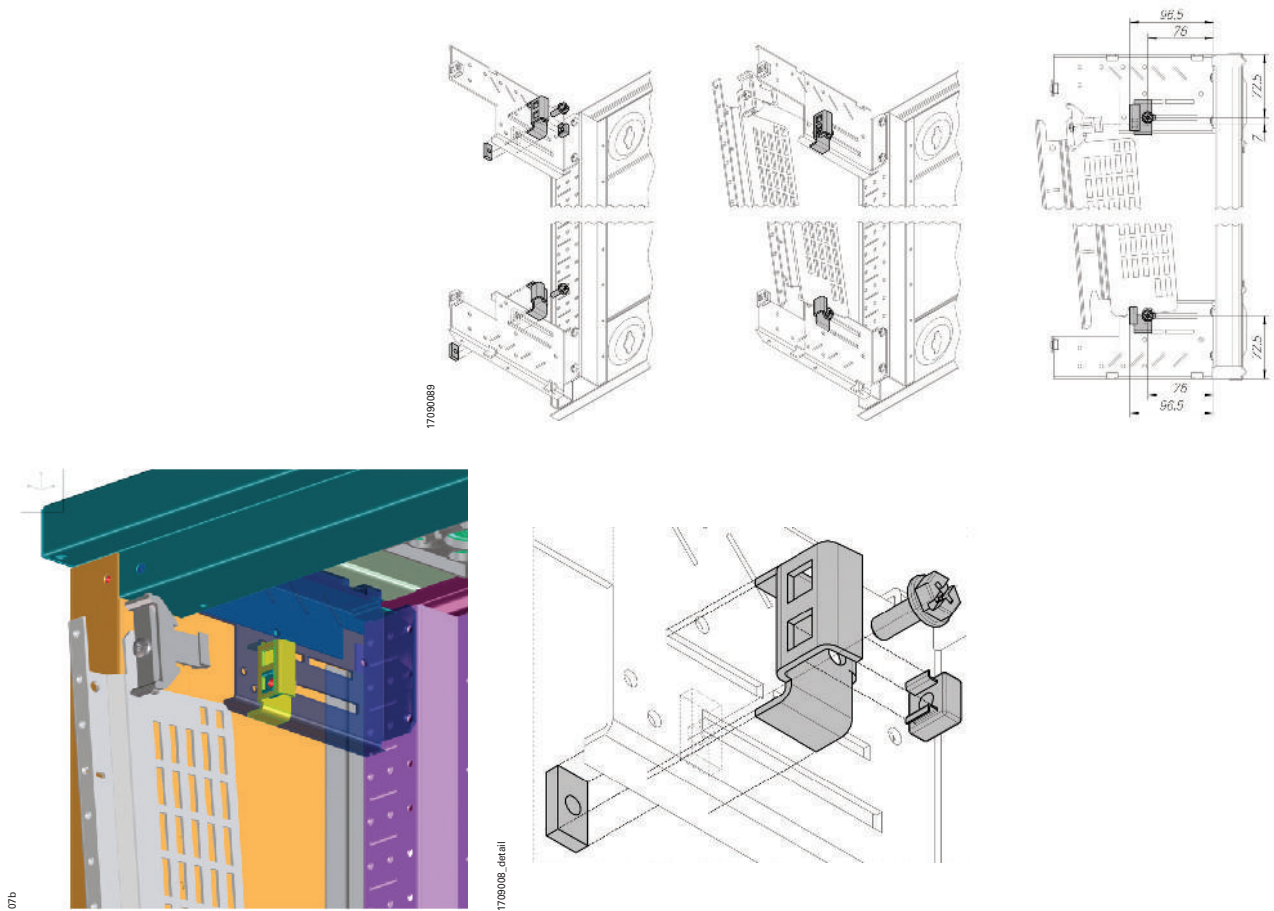


Detail



Set, BPZ-SNAP-MSW-CTS

- Designed for comfort inserting and fixing BPZ-MSW with use BPZ-SNAP to board
- Used for surface mounted boards BP-O, BPM-O and floor-standing boards BP-F, BPM-F
- Set contains top and bottom parts

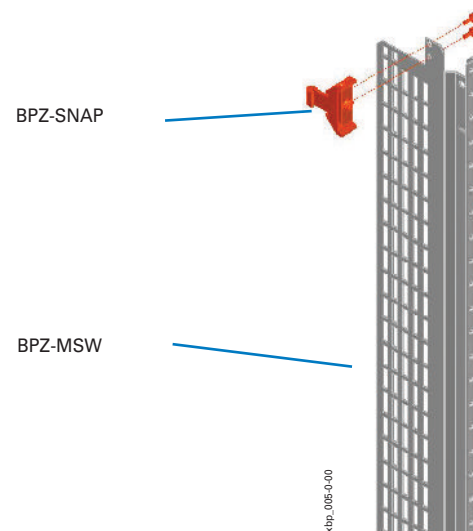


Mounting side walls, BPZ-MSW

- Designed for comfort inserting and fixing BPZ-MSW with use BPZ-SNAP to board
- Mounting side walls for flush mounting boards
- Can be used also for surface mounting or floor standing boards for comfortable mounting of installation devices
- Enables mounting of inside equipment including electrical connection outside the board
- Material:
Sheet steel, zinc-coated
- Scope of delivery: 2 mounting side walls

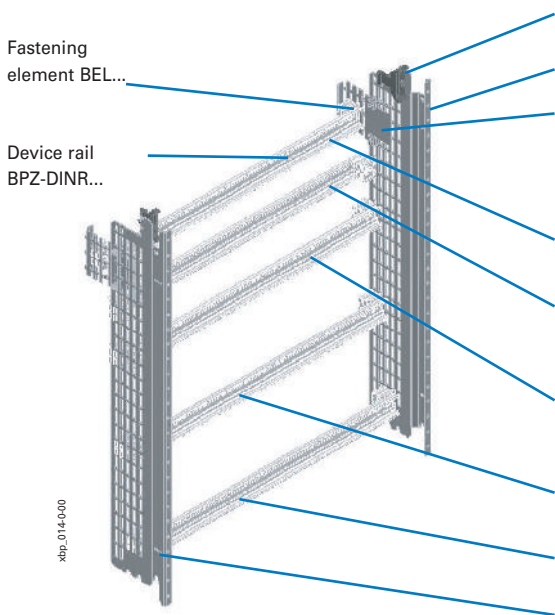
Auxiliary pawl, BPZ-SNAP

- Necessary for mounting of the BPZ-MSW frame into flush mounting boards
- Scope of delivery: 2 pawls



Applications of mounting frame, BPZ-MSW

Applications of device rails



Pawl BPZ-SNAP

Side walls BPZ-MSW...

Depth strap TIW-1: Can be mounted into flush mounted boards with wall box of depth 240 mm only. Enables increase of installation depth. Fits also in all other distribution boards.

Attention: depth strap has to be mounted from inner side of side wall with inward bend. In different case it is not possible to mount wall box of flush mounted board.

Device rail in depth (2) mounted with TIW-1 – mounting of devices under the frontplate (e.g. contactors, input/output terminals, N/PE terminals etc.)

Device rail in depth (5) mounting onto rear side of BEL - mounting of devices under the frontplate (e.g. contactors, input/output terminals, N/PE terminals etc.)

Device rail in depth (5) - mounting of devices under the frontplate (e.g. contactors, input/output terminals, N/PE terminals etc.)

Device rail in depth (4) - mounting of power devices, e.g. MCCBs NZM1 with NZM1-XC35 adaptor.

Device rail in depth (2) - mounting of standard modular devices under front plate with 45 mm device cutout

Cutout corresponding to mounting height of device rail 100 mm

Door Support bar, BPZ-TP

- For strengthen the door
- Support assembly units in the door in combination with C-Profil rail BPZ-CP-TP1,2
- Material:
Sheet steel (1 mm), powder coated RAL 7035

		IP30-AP (BP-O, BP-F...(-P))				
H \ B		400	600	800	1000	1200
4		2Stk BPZ-TP-4	2Stk BPZ-TP-4	2Stk BPZ-TP-4		
7		2Stk BPZ-TP-7	2Stk BPZ-TP-7	2Stk BPZ-TP-7		
10		2Stk BPZ-TP-10	2Stk BPZ-TP-10	1Stk BPZ-TP-10	2Stk+2Stk BPZ-TP-10	
12		2Stk BPZ-TP-12	1Stk BPZ-TP-12	1Stk BPZ-TP-12	1Stk+2Stk BPZ-TP-12	1Stk+1Stk BPZ-TP-12
15		2Stk BPZ-TP-15	1Stk BPZ-TP-15	1Stk BPZ-TP-15	1Stk+2Stk BPZ-TP-15	1Stk+1Stk BPZ-TP-15
17		0Stk BPZ-TP-17	0Stk BPZ-TP-17	0Stk BPZ-TP-17	0Stk+0Stk BPZ-TP-17	0Stk+0Stk BPZ-TP-17
20		0Stk BPZ-TP-20	0Stk BPZ-TP-20	0Stk BPZ-TP-20	0Stk+0Stk BPZ-TP-20	0Stk+0Stk BPZ-TP-20

		IP30, IP43, IP54-UP (BP(A;M)-U-3S...(-P))				
H \ B		400	600	800	1000	1200
4		2Stk BPZ-TP-4	2Stk BPZ-TP-4			
7		2Stk BPZ-TP-7	2Stk BPZ-TP-7	2Stk BPZ-TP-7		
10		1Stk BPZ-TP-10	1Stk BPZ-TP-10	1Stk BPZ-TP-10	1Stk+1Stk BPZ-TP-10	
12		1Stk BPZ-TP-12	1Stk BPZ-TP-12	1Stk BPZ-TP-12	1Stk+1Stk BPZ-TP-12	1Stk+1Stk BPZ-TP-12
15			1Stk BPZ-TP-15	1Stk BPZ-TP-15	1Stk+1Stk BPZ-TP-15	1Stk+1Stk BPZ-TP-15
17			1Stk BPZ-TP-17	1Stk BPZ-TP-17	1Stk+1Stk BPZ-TP-17	1Stk+1Stk BPZ-TP-17
20			1Stk BPZ-TP-20	1Stk BPZ-TP-20	1Stk+1Stk BPZ-TP-20	1Stk+1Stk BPZ-TP-20

		IP54-AP (BPM-O...(-P), BPM-F...(-P))				
H \ B		400	600	800	1000	1200
4		0Stk BPZ-TP-4	0Stk BPZ-TP-4	0Stk BPZ-TP-4		
7		0Stk BPZ-TP-7	0Stk BPZ-TP-7	0Stk BPZ-TP-7		
10		0Stk BPZ-TP-10	0Stk BPZ-TP-10	0Stk BPZ-TP-10	0Stk+0Stk BPZ-TP-10	
12		0Stk BPZ-TP-12	0Stk BPZ-TP-12	0Stk BPZ-TP-12	0Stk+0Stk BPZ-TP-12	0Stk+0Stk BPZ-TP-12
15		0Stk BPZ-TP-15	0Stk BPZ-TP-15	0Stk BPZ-TP-15	0Stk+0Stk BPZ-TP-15	0Stk+0Stk BPZ-TP-15
17		0Stk BPZ-TP-17	0Stk BPZ-TP-17	0Stk BPZ-TP-17	0Stk+0Stk BPZ-TP-17	0Stk+0Stk BPZ-TP-17
20		0Stk BPZ-TP-20	0Stk BPZ-TP-20	0Stk BPZ-TP-20	0Stk+0Stk BPZ-TP-20	0Stk+0Stk BPZ-TP-20

BPZ_TP_Matrix

Separation horizontal, BPZ-AS

- Only for MSW application
- For creating a horizontal section within the board
- Metal base frame with plastic insert

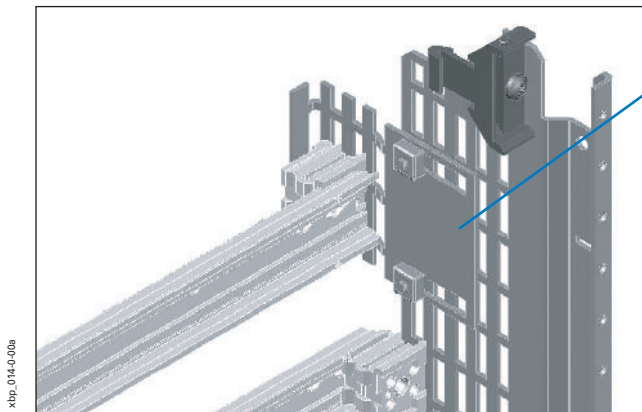
Separation, BPZ-ASMF

- Mounted on main frame
- For creating a horizontal section within the board
- Mounted horizontal with knock-outs

Depth Straps, TIW

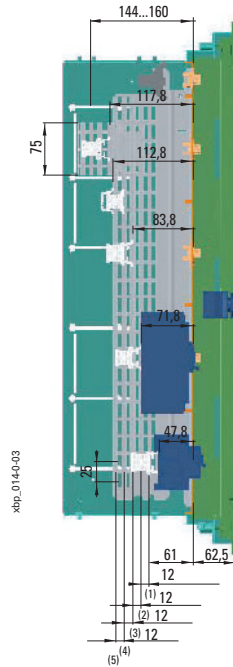
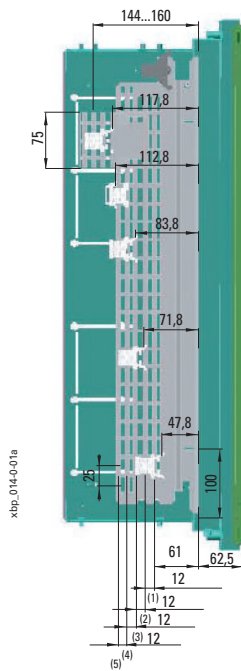
- For assembling of mounting plates deeper than it is possible with BPZ-MSW itself

Detail of assembly of TIW-1

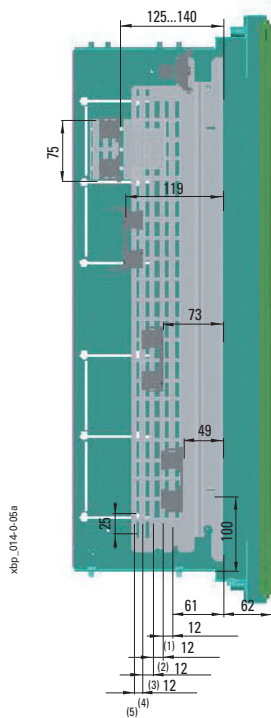
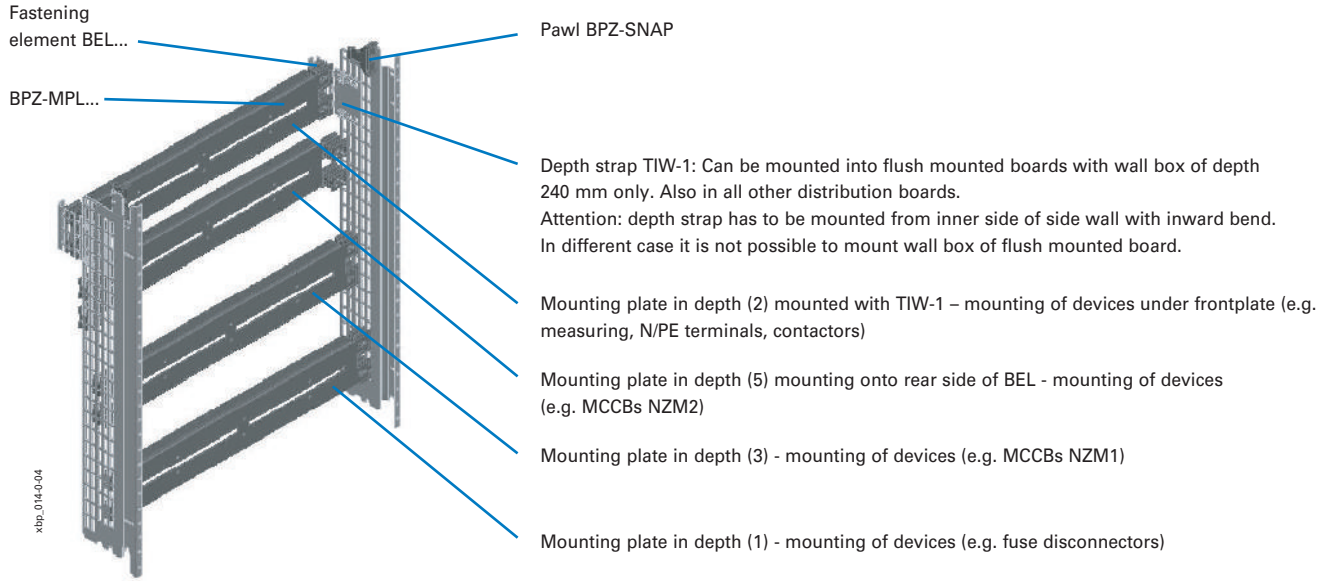


Depth strap TIW-1: Can be mounted into flush mounted boards with wall box of depth 240 mm only.
Attention: depth strap has to be mounted form inner side of side wall with inward bend. In different case it is not possible to mount wall box of flush mounted board.

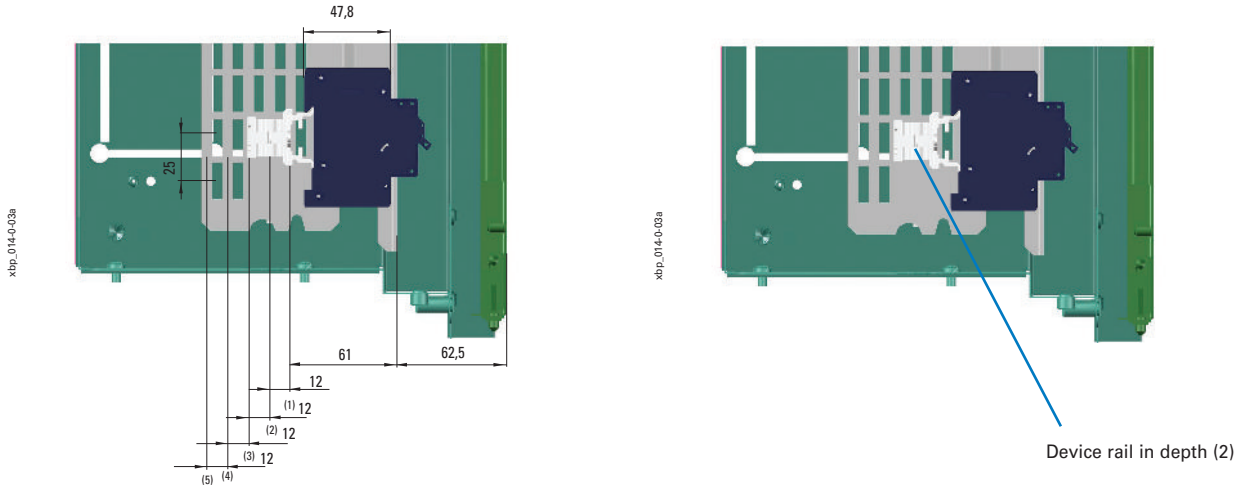
For surface mounted boards, floor standing boards, the depth strap TIW-1 can be in initial position only.



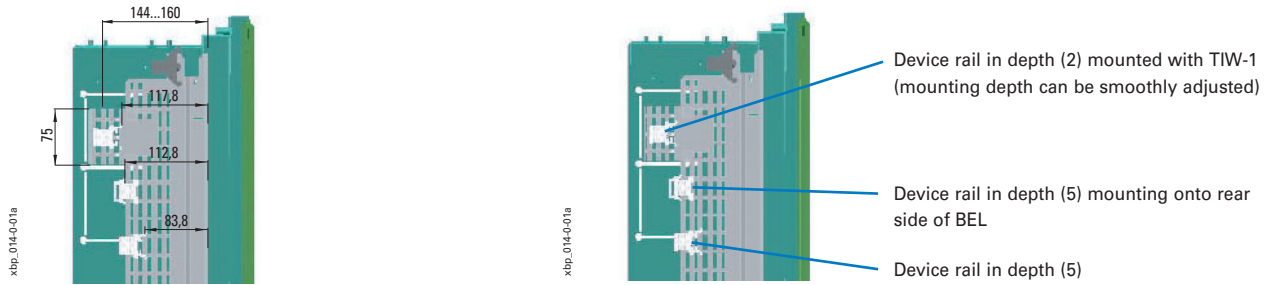
Applications of mounting plates



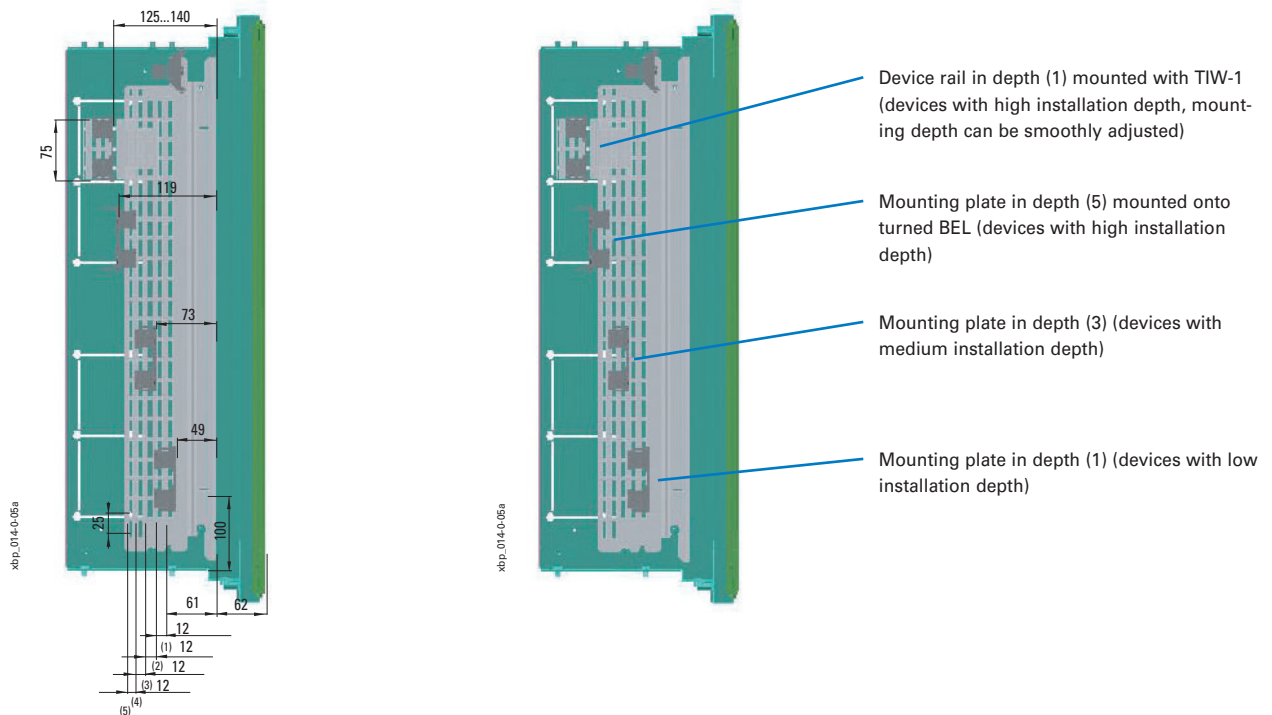
Mounting of devices with a possibility of controlling



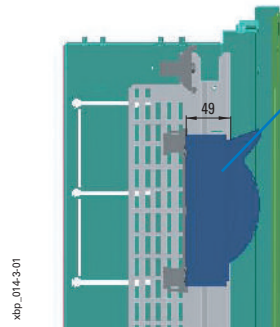
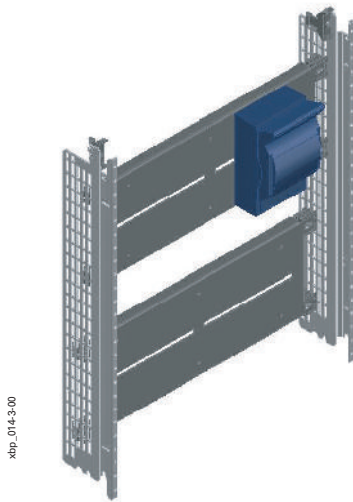
Mounting of devices under frontplate (e.g. contactors without a possibility of manual controlling)



Mounting of devices onto mounting plate



Mounting of fuse disconnectors LTS



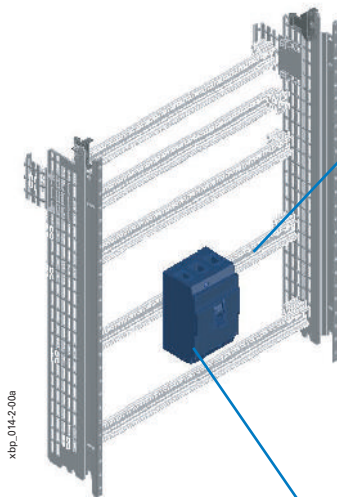
Fuse disconnector size 00:
Mounting plate BPZ-MPL180-...
in depth (1) (mounting depth
49 mm)

Fuse disconnector size 1:
Mounting plate BPZ-MPL350-...
in depth (3) (mounting depth
73 mm)

Fuse disconnector size 2:
Mounting plate BPZ-MPL350-...
in depth (4) (mounting depth
85 mm)

Mounting of moulded case circuit breakers NZM1

- Mounting sets BPZ-NZM...-MSW are recommended for mounting of single breakers NZM1 and NZM2 into flush mounting boards



Mounting onto device rail in depth (4) (the breaker is fastened with adaptor NZM1-XC35).

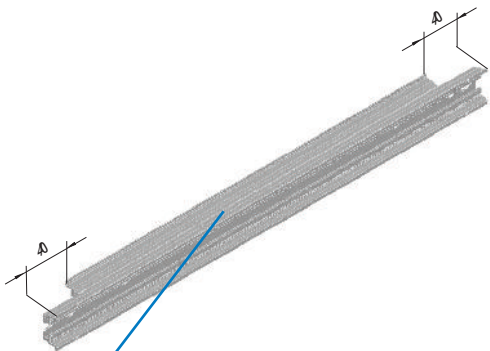
It is necessary to pay attention to mechanical load of device rail – dangerous of twisting if more MCCBs is installed.

In this case it is recommended to use reinforcement by means of another device rail (mounted behind the first one, the rear second rail has to be shortened appropriately).

To cover, a front plate BPZ-FP-...-45 with 45 mm cutout can be used.

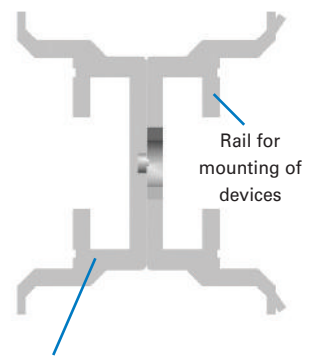
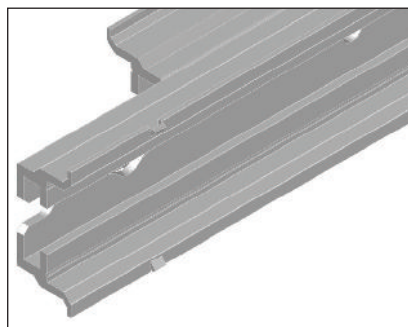
NZM1

Reinforcement of the device rail



Reinforcement by means of connecting of two rails (back side to back side). The rear rail has to be shortened by about 40 mm at both sides. For connecting, the pre-drilled holes can be used.

Detail

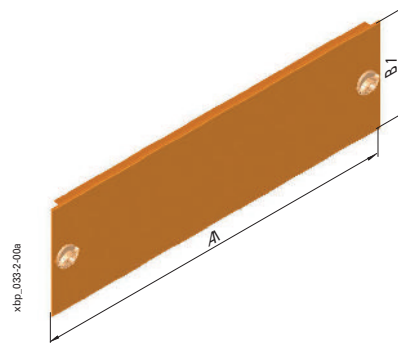


Front plates blind, BPZ-FP-.-BL

- To cover spare areas or to protect areas in use
- Material: sheet steel, powder-coated, RAL 7035 or RAL 9016
- Metal front plates with automatic connection to the enclosure
- Scope of delivery: 1 front plate

Dimensions [mm]

Type	Outside dimensions	
	Width A1	Height B1
BPZ-FP-400/...-BL	320	50, 100, 150, 200, 250, 300
BPZ-FP-600/...-BL	520	50, 100, 150, 200, 250, 300
BPZ-FP-800/...-BL	720	50, 100, 150, 200, 250, 300
BPZ-FP-1000/...-BL	920	50, 100, 150, 200, 250, 300
BPZ-FP-1200/...-BL	1120	50, 100, 150, 200, 250, 300

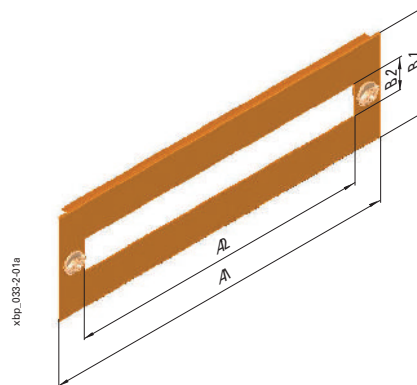


Front plates with 45 mm device cutout, BPZ-FP-.-45

- To cover areas accommodating switchgear
- Material: sheet steel, powder-coated, RAL 7035 or RAL 9016
- Metal front plates with automatic connection to the enclosure
- Scope of delivery: 1 front plate

Dimensions [mm]

Type	Outside dimensions		Inside dimensions		TE
	Width A1	Height B1	Width A2	Height B2	
BPZ-FP-400/...-45	320	150, 200	238	46	13
BPZ-FP-600/...-45	520	150, 200	438	46	24
BPZ-FP-800/...-45	720	150, 200	638	46	35
BPZ-FP-1000/...-45	920	150, 200	838	46	46
BPZ-FP-1200/...-45	1120	150, 200	1038	46	57

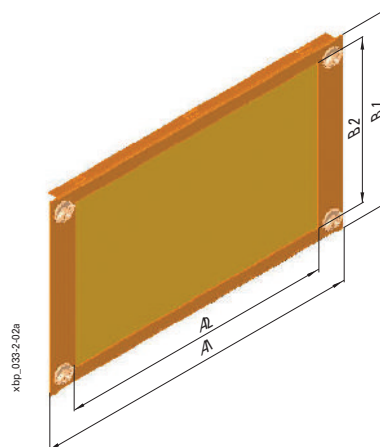


Front plates sheet steel with plastic insert, BPZ-FPP-.-BL

- Material: sheet steel, powder-coated, RAL 7035 or RAL 9016
- Metal front plates with automatic connection to the enclosure
- Material of plastic insert: 2mm PVC, similar to RAL 7035
- Scope of delivery: 1 front plate

Dimensions [mm]

Type	Outside dimensions		Inside dimensions	
	Width A1	Height B1	Width A2	Height B2
BPZ-FPP-400/150-BL	320	150	230	90
BPZ-FPP-400/300-BL	320	300	230	254
BPZ-FPP-600/150-BL	520	150	430	90
BPZ-FPP-600/300-BL	520	300	430	254
BPZ-FPP-600/500-BL	520	500	430	454
BPZ-FPP-800/150-BL	720	150	630	90
BPZ-FPP-800/300-BL	720	300	630	254
BPZ-FPP-800/500-BL	720	500	630	454
BPZ-FPP-1000/150-BL	920	150	830	90
BPZ-FPP-1000/300-BL	920	300	830	254
BPZ-FPP-1000/500-BL	920	500	830	454
BPZ-FPP-1200/150-BL	1120	150	1030	90
BPZ-FPP-1200/300-BL	1120	300	1030	254
BPZ-FPP-1200/500-BL	1120	500	1030	454

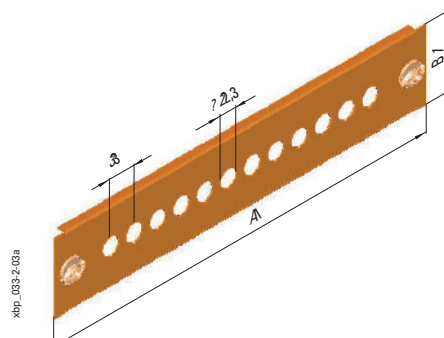


Front plates for command devices RMQ-Titan, BPZ-FP-.-RMQ

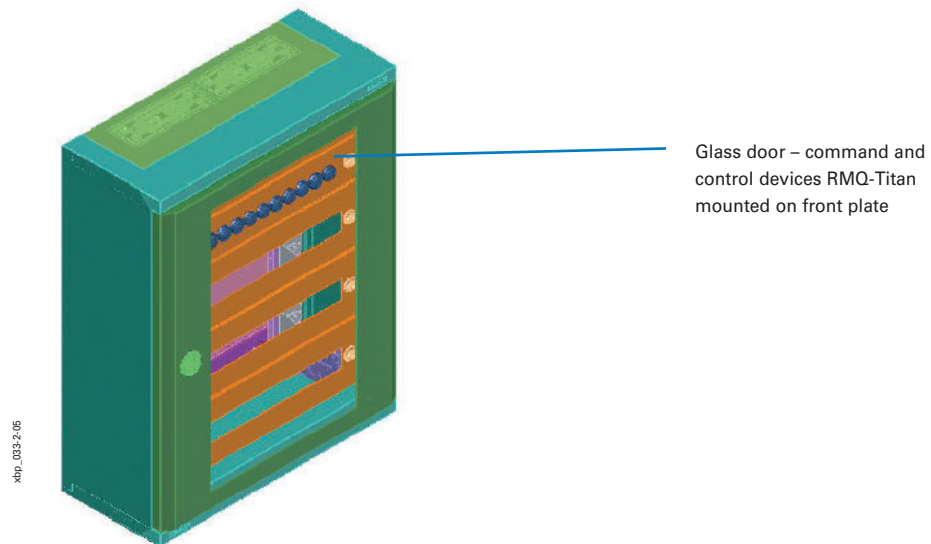
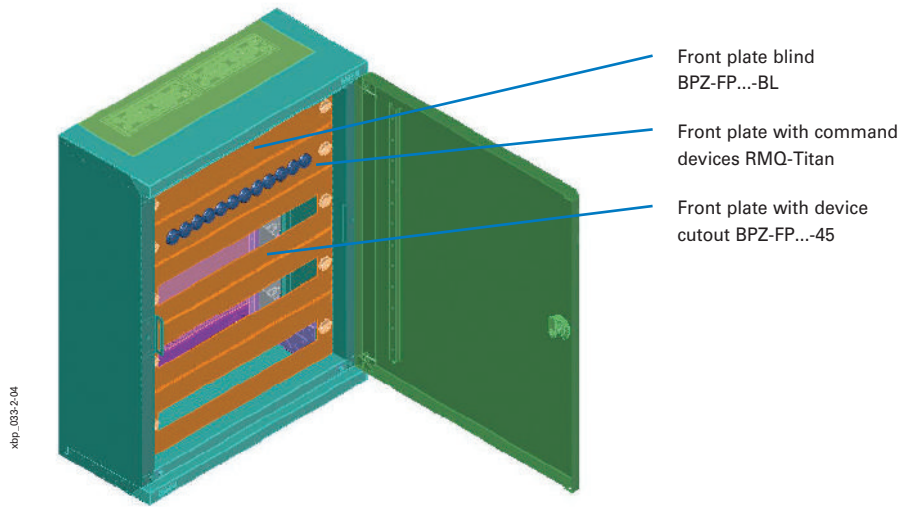
- Material: sheet steel, powder-coated, RAL 7035 or RAL 9016
- Metal front plates with automatic connection to the enclosure
- Scope of delivery: 1 front plate

Dimensions [mm]

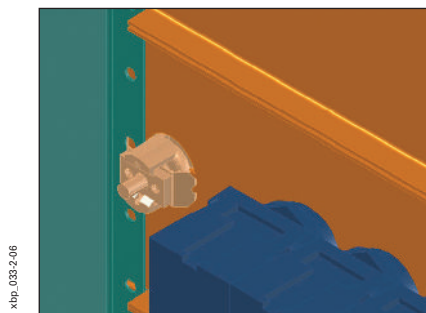
Type	Outside dimensions		Amount of supports for RMQ
	Width A1	Height B1	
BPZ-FP-400/100-RMQ	320	100	7
BPZ-FP-600/100-RMQ	520	100	12



Examples of application of front plates



Detail



Rear view of self-earthing seal.
Conductive connection of the front plates with frame is type tested.



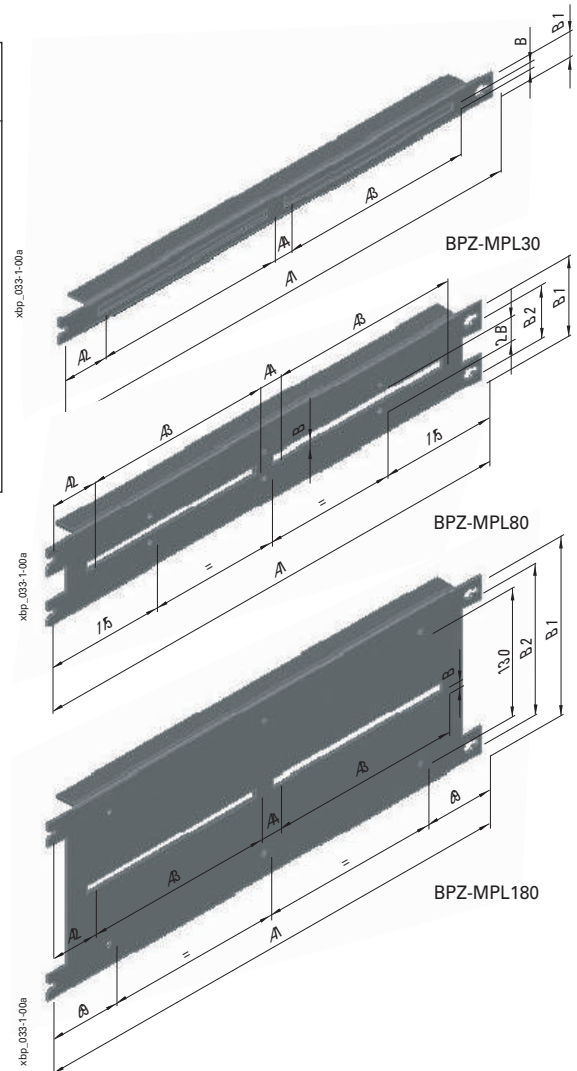
Universal mounting plates BPZ-MPL

- For mounting busbar supports and many other devices
- Material: sheet steel (2 mm), zinc-coated
- Scope of delivery: 1 mounting plate, fixing material

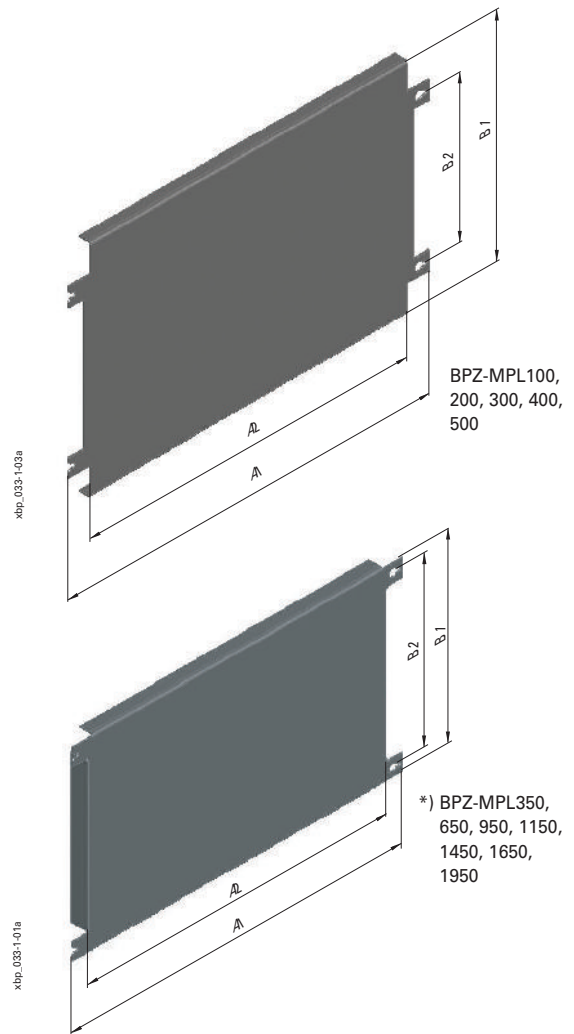
Dimensions [mm]

Type	Width				Height			Number of BEL elements on the side
	A1	A2	A3	A4	B1	B2	B	
BPZ-MPL30-400	288	49	190	20	30	0	8	2
BPZ-MPL30-600	488	44	190	20	30	0	8	2
BPZ-MPL30-800	688	46,5	185	20	30	0	8	2
BPZ-MPL30-1000	888	44	185	20	30	0	8	2
BPZ-MPL30-1200	1088	41,5	185	20	30	0	8	2
BPZ-MPL80-400	288	49	190	20	80	50	8	4
BPZ-MPL80-600	488	44	190	20	80	50	8	4
BPZ-MPL80-800	688	46,5	185	20	80	50	8	4
BPZ-MPL80-1000	888	44	185	20	80	50	8	4
BPZ-MPL80-1200	1088	41,5	185	20	80	50	8	4
BPZ-MPL180-400	288	49	190	20	180	150	8	4
BPZ-MPL180-600	488	44	190	20	180	150	8	4
BPZ-MPL180-800	688	46,5	185	20	180	150	8	4
BPZ-MPL180-1000	888	44	185	20	180	150	8	4
BPZ-MPL180-1200	1088	41,5	185	20	180	150	8	4

The cut-outs in the center of the mounting plate are used for fixing with cage nuts.

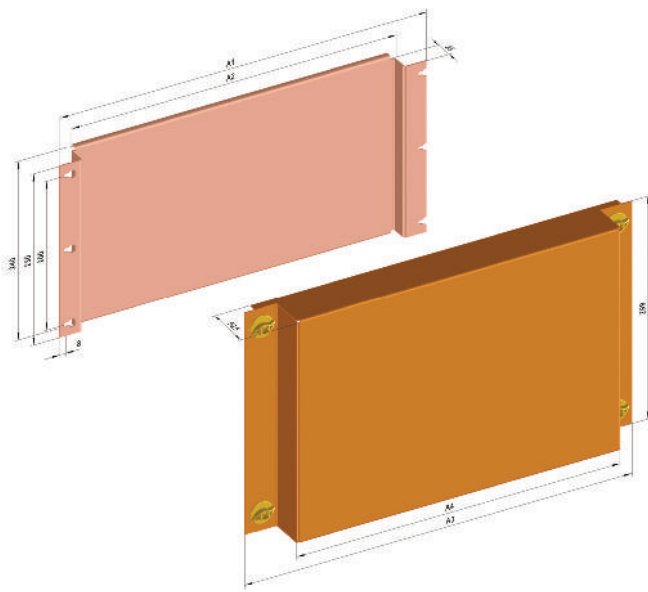
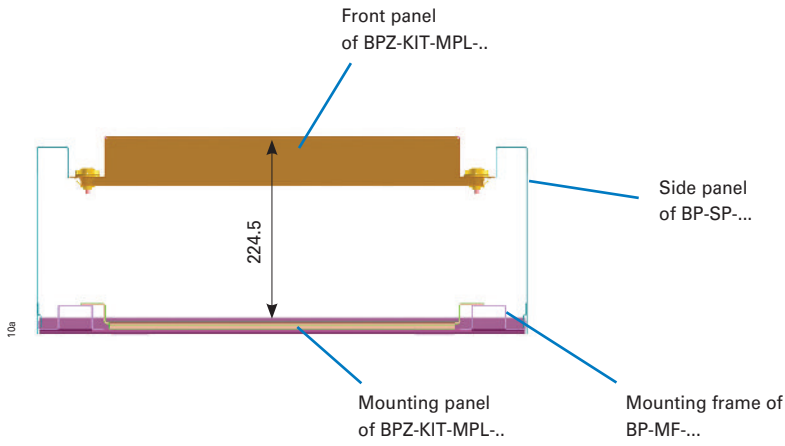


Type	Width		Height		Number of BEL elements on the side
	A1	A2	B1	B2	
BPZ-MPL100-400	288	246	100	50	4
BPZ-MPL100-425	313	253	100	50	4
BPZ-MPL100-600	488	446	100	50	4
BPZ-MPL100-800	688	648	100	50	4
BPZ-MPL100-1000	888	846	100	50	4
BPZ-MPL100-1200	1088	1046	100	50	4
BPZ-MPL200-400	288	246	200	150	4
BPZ-MPL200-425	313	253	200	150	4
BPZ-MPL200-600	488	446	200	150	4
BPZ-MPL200-800	688	648	200	150	4
BPZ-MPL200-1000	888	846	200	150	4
BPZ-MPL200-1200	1088	1046	200	150	4
BPZ-MPL300-400	288	246	300	200	4
BPZ-MPL300-425	313	253	300	200	4
BPZ-MPL300-600	488	446	300	200	4
BPZ-MPL300-800	688	648	300	200	4
BPZ-MPL300-1000	888	846	300	200	4
BPZ-MPL300-1200	1088	1046	300	200	4
BPZ-MPL350-400	288	246	280	250	4
BPZ-MPL350-600	488	446	280	250	4
BPZ-MPL350-800	688	648	280	250	4
BPZ-MPL350-1000	888	846	280	250	4
BPZ-MPL350-1200	1088	1046	280	250	4
BPZ-MPL400-400	288	246	400	300	4
BPZ-MPL400-425	313	253	400	250	4
BPZ-MPL400-600	488	446	400	300	4
BPZ-MPL400-800	688	648	400	300	4
BPZ-MPL400-1000	888	846	400	300	4
BPZ-MPL400-1200	1088	1046	400	300	4
BPZ-MPL500-400	288	246	500	400	4
BPZ-MPL500-425	313	253	500	300	4
BPZ-MPL500-600	488	446	500	400	4
BPZ-MPL500-800	688	648	500	400	4
BPZ-MPL500-1000	888	846	500	400	4
BPZ-MPL500-1200	1088	1046	500	400	4
BPZ-MPL650-400	288	246	580	550	4
BPZ-MPL650-600	488	446	580	550	4
BPZ-MPL650-800	688	648	580	550	4
BPZ-MPL650-1000	888	846	580	550	4
BPZ-MPL650-1200	1088	1046	580	550	4
BPZ-MPL950-400	288	246	880	850	4
BPZ-MPL950-600	488	446	880	850	4
BPZ-MPL950-800	688	648	880	850	4
BPZ-MPL950-1000	888	846	880	850	4
BPZ-MPL950-1200	1088	1046	880	850	4
BPZ-MPL1150-400	288	246	1080	1050	4
BPZ-MPL1150-600	488	446	1080	1050	4
BPZ-MPL1150-800	688	648	1080	1050	4
BPZ-MPL1150-1000	888	846	1080	1050	4
BPZ-MPL1150-1200	1088	1046	1080	1050	4
BPZ-MPL1450-400	288	246	1380	1350	4
BPZ-MPL1450-600	488	446	1380	1350	4
BPZ-MPL1450-800	688	648	1380	1350	4
BPZ-MPL1450-1000	888	846	1380	1350	4
BPZ-MPL1450-1200	1088	1046	1380	1350	4
BPZ-MPL1650-400	288	246	1580	1550	6
BPZ-MPL1650-600	488	446	1580	1550	6
BPZ-MPL1650-800	688	648	1580	1550	6
BPZ-MPL1650-1000	888	846	1580	1550	6
BPZ-MPL1650-1200	1088	1046	1580	1550	6
BPZ-MPL1950-400	288	246	1880	1850	6
BPZ-MPL1950-600	488	446	1880	1850	6
BPZ-MPL1950-800	688	648	1880	1850	6
BPZ-MPL1950-1000	888	846	1880	1850	6
BPZ-MPL1950-1200	1088	1046	1880	1850	6



*) Mounting plates are used principally as section height in the respective enclosure height!

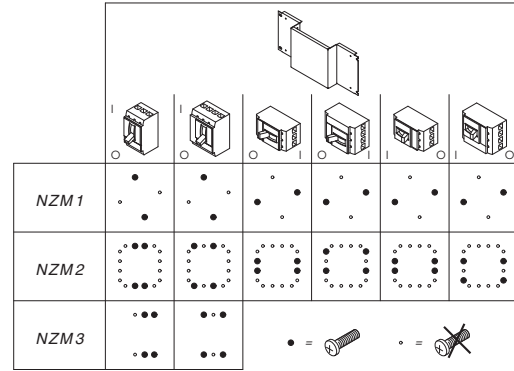
Mounting set for maximum depth of board BPZ-KIT-MPL-..



Type	A1	A2	A3	A4
BPZ-KIT-MPL-400	292	236	320	234.5
BPZ-KIT-MPL-600	492	436	520	434.5
BPZ-KIT-MPL-800	692	636	720	634.5
BPZ-KIT-MPL-1000	892	836	920	834.5
BPZ-KIT-MPL-1200	1092	1036	1120	1034.5

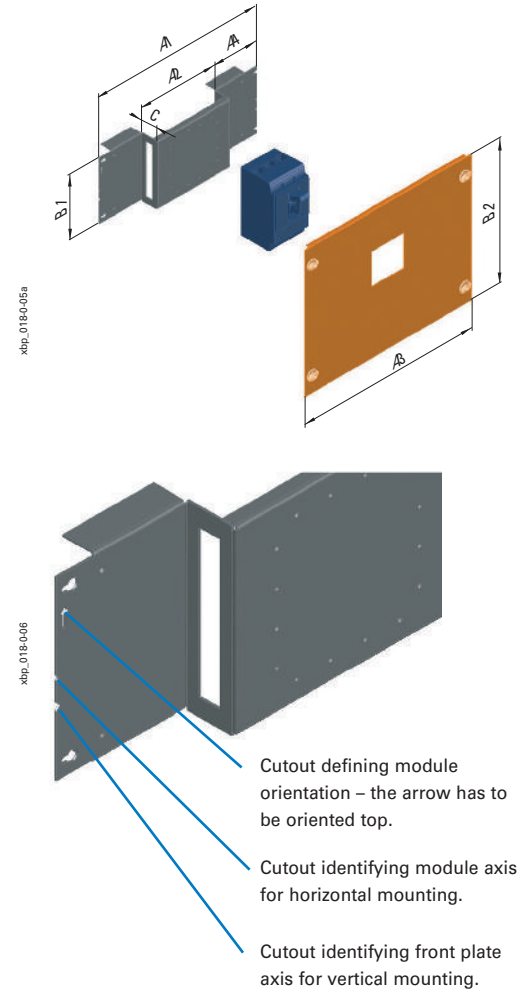
Mounting sets BPZ-NZM for circuit breakers NZM

- Mounting sets BPZ-NZM... for mounting NZM1-3 circuit breakers (position of the breaker vertical or horizontal) for surface-mounted or floor-standing boards
- Material
Front plate: sheet steel, powder-coated, RAL 7035 or RAL 9016
Mounting plate: sheet steel (2 mm), zinc-coated
- Metal front plates with automatic connection to the enclosure
- Design ...-RH for breakers equipped with rotary door handle, suitable only for surface-mounted or floor-standing boards
- Scope of delivery: 1 mounting plate, 1 front plate, fixing material



Dimensions [mm]

Type	Front plate		Mounting plate				
	Outside dimens.		Outside dimens.				
	Width	Height	Width	Height	A2	A4	C
	A3	B2	A1	B1			
BPZ-NZM1-400-MV	320	299	292	179	174	61	89.5
BPZ-NZM2-400-MV	320	399	292	179	230	33	54.5
BPZ-NZM3-400-MV	320	499	292	279	244	26	37
BPZ-NZM1-600-MV	520	299	492	179	174	161	89.5
BPZ-NZM2-600-MV	520	399	492	179	230	133	54.5
BPZ-NZM3-600-MV	520	499	492	279	244	126	37
BPZ-NZM1-800-MV	720	299	692	179	174	261	89.5
BPZ-NZM2-800-MV	720	399	692	179	230	233	54.5
BPZ-NZM3-800-MV	720	499	692	279	244	226	37
BPZ-NZM1-400-MH	320	199	292	179	74	61	89.5
BPZ-NZM2-400-MH	320	199	292	179	230	33	54.5
BPZ-NZM1-600-MH	520	199	492	179	174	161	89.5
BPZ-NZM2-600-MH	520	199	492	179	230	133	54.5
BPZ-NZM1-800-MH	720	199	692	179	174	261	89.5
BPZ-NZM2-800-MH	720	199	692	179	230	233	54.5
BPZ-NZM1/MSW-400-MV	320	299	288	185	174	57	16.5
BPZ-NZM2/MSW-400-MV	320	399	288	185	226	31	-18.5
BPZ-NZM1/MSW-600-MV	520	299	488	185	174	157	16.5
BPZ-NZM2/MSW-600-MV	520	399	488	185	226	131	-18.5
BPZ-NZM1/MSW-800-MV	720	299	688	185	174	257	16.5
BPZ-NZM2/MSW-800-MV	720	399	688	185	226	231	-18.5
BPZ-NZM1/MSW-600-MH	520	199	488	185	174	157	16.5
BPZ-NZM2/MSW-600-MH	520	199	488	185	226	131	-18.5
BPZ-NZM1/MSW-800-MH	720	199	688	185	174	257	16.5
BPZ-NZM2/MSW-800-MH	720	199	688	185	226	231	-18.5
BPZ-NZM1-400-MV-RH	320	299	292	179	174	61	54.5
BPZ-NZM2-400-MV-RH	320	399	292	179	230	33	19.5
BPZ-NZM3-400-MV-RH	320	499	292	279	244	26	0
BPZ-NZM1-600-MV-RH	520	299	492	179	174	161	54.5
BPZ-NZM2-600-MV-RH	520	399	492	179	230	133	19.5
BPZ-NZM1-800-MV-RH	720	299	692	179	174	261	54.5
BPZ-NZM2-800-MV-RH	720	399	692	179	230	233	19.5
BPZ-NZM1-600-MH-RH	520	199	492	179	174	161	54.5
BPZ-NZM2-600-MH-RH	520	199	492	179	230	133	19.5
BPZ-NZM1-800-MH-RH	720	199	692	179	174	261	54.5
BPZ-NZM2-800-MH-RH	720	199	692	179	230	233	19.5

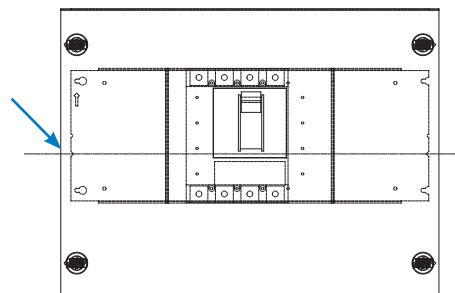
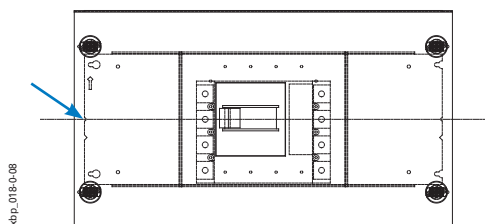


Round cutout:

- identifies axis of the device module
- Identifies front plate axis for horizontal mounting

Sharp cutout:

- identifies front plate axis for vertical mounting (position of the mounting plate is defined by the axis of the front plate)

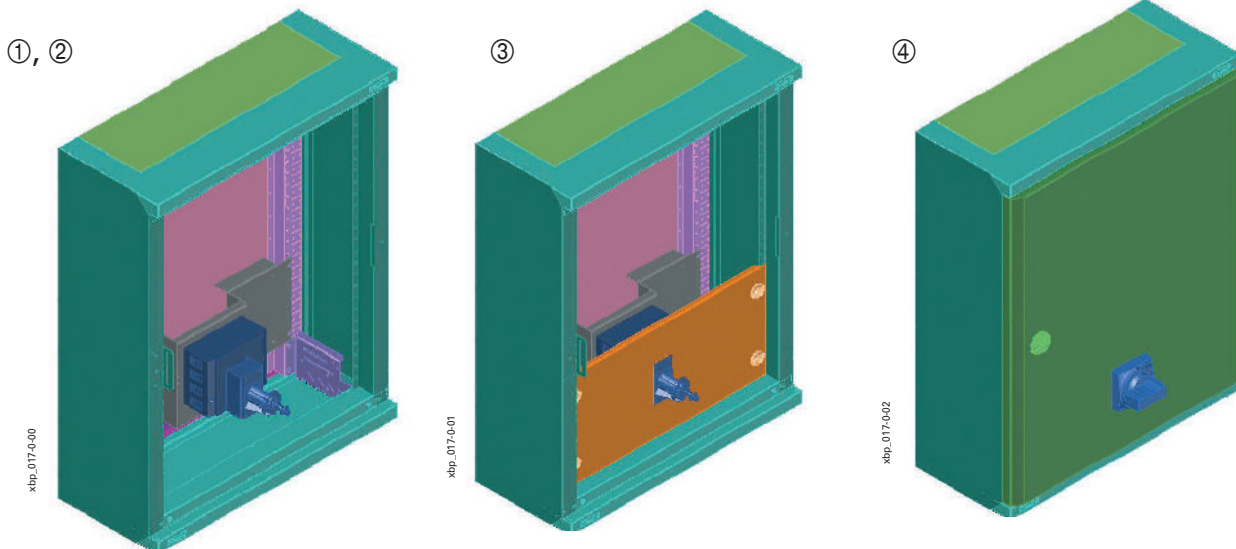


Applications of mounting sets BPZ-NZM...-RH

- Example of utilisation in a surface-mounted board (can be used for floor-standing boards as well)

Mounting process:

1. Fixing of a breaker onto mounting plate from the set
2. Installation of the mounting plate with the breaker into board
3. Fixing of the front plate
4. Mounting of the door coupling and rotary handle



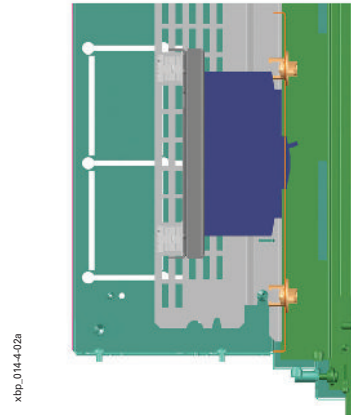
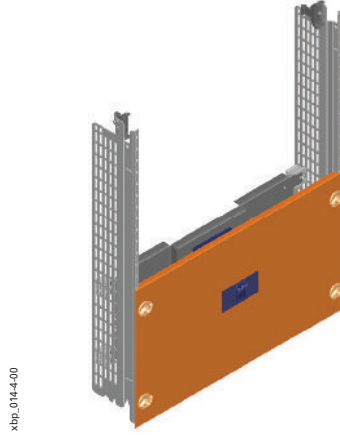
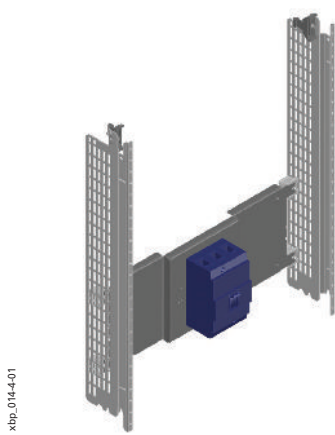
Applications of mounting sets BPZ-NZM...-MSW

- For NZM breakers of type size 1 and 2
- Vertical or horizontal orientation of the breaker
- Mounting on to side walls BPZ-MSW by means of fastening elements BEL

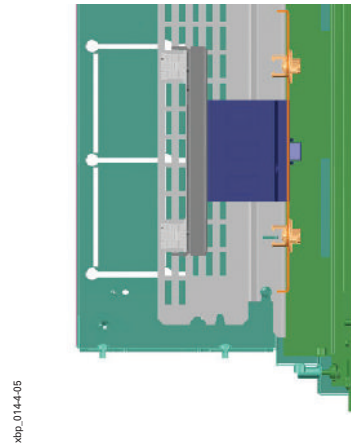
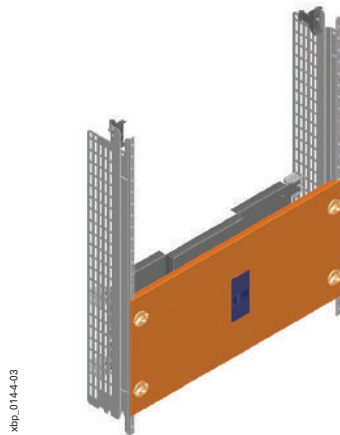
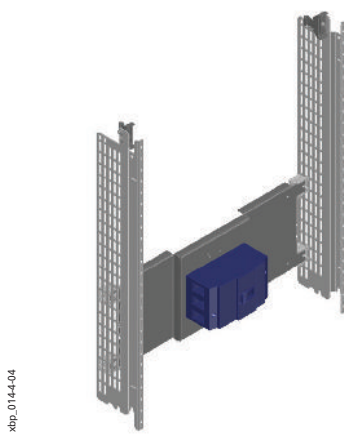
Mounting process:

1. Fixing of a breaker onto mounting plate from the set
2. Installation of the mounting plate with the breaker into board by means of fastening elements BEL
3. Fixing of the front plate

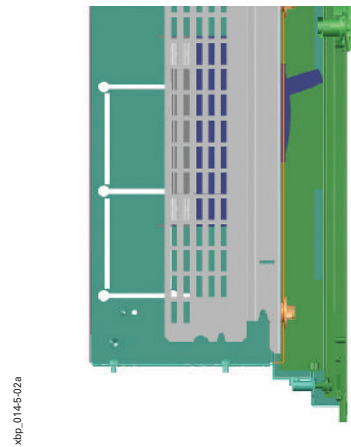
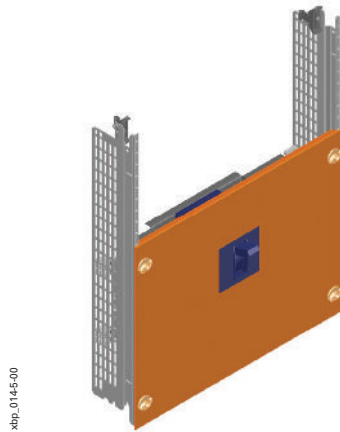
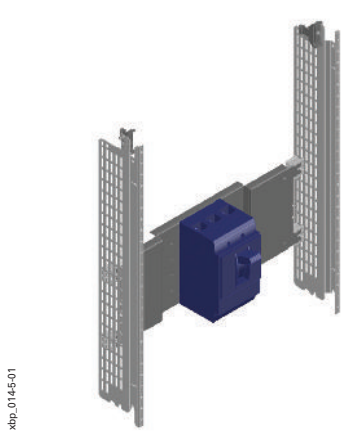
NZM1 breaker, vertical orientation



NZM1 breaker, horizontal orientation



NZM2 breaker, vertical orientation

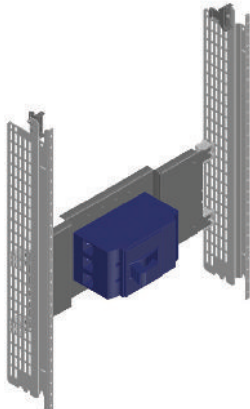


Distribution Boards

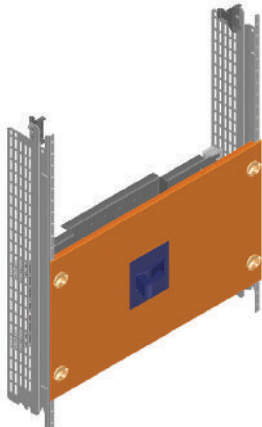
xEnergy
Basic

NZM2 breaker, horizontal orientation

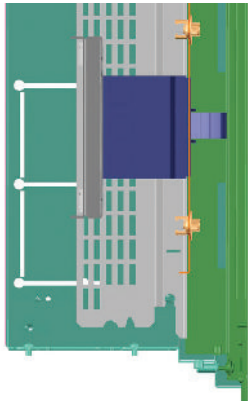
xbp_014-5-04



xbp_014-5-03



xbp_014-5-05



Mounting Plate for Several Devices such as NZM, BPZ-MPL-NZM...-MV

- For mounting one or several NZM devices in a vertical position
- Suitable for wall-mounted and floor-standing enclosures with Profi+ mounting frame
- Material: Sheet steel (2 mm), galvanized
- Scope of delivery: 1 Mounting plate, mounting accessories

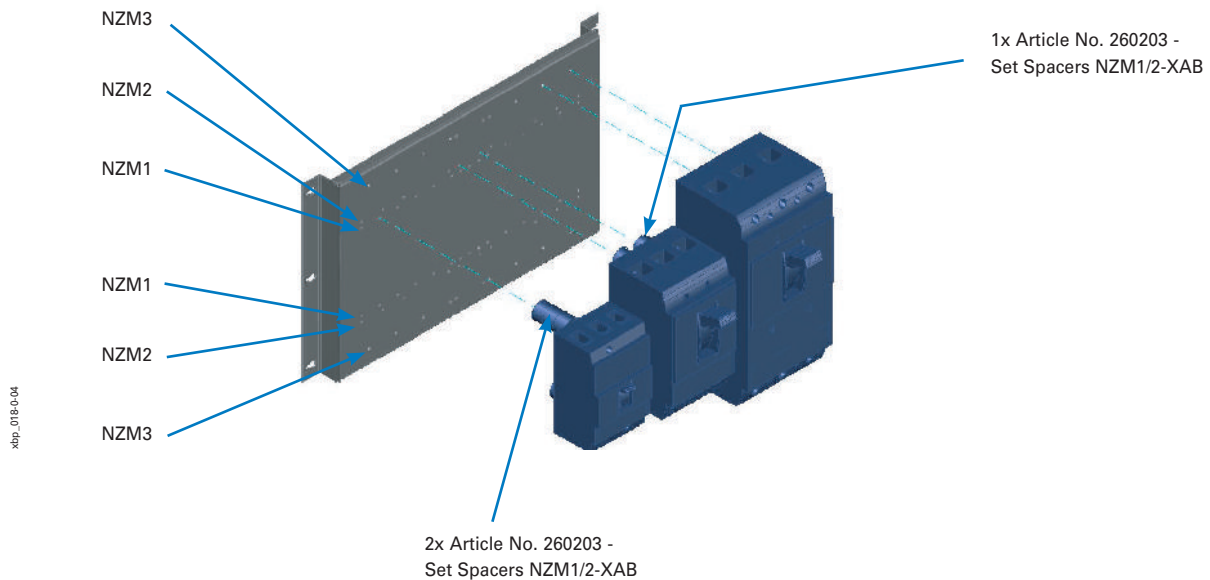
Dimensions [mm]

Type	Max. number of 3-/4-pole NZMs *)	A1	A2	B1
BPZ-MPL-NZM1X-400-MV	2x NZM1 / 2x NZM1	292	232	160
BPZ-MPL-NZM1X-600-MV	4x NZM1 / 3x NZM1	492	432	160
BPZ-MPL-NZM1X-800-MV	7x NZM1 / 5x NZM1	692	632	160
BPZ-MPL-NZM1X-1000-MV	9x NZM1 / 6x NZM1	892	832	160
BPZ-MPL-NZM1X-1200-MV	11x NZM1 / 8x NZM1	1092	1032	160
BPZ-MPL-NZM2X-400-MV	2x NZM2 / -	292	232	185
BPZ-MPL-NZM2X-600-MV	3x NZM2 / 2x NZM2	492	432	185
BPZ-MPL-NZM2X-800-MV	4x NZM2 / 4x NZM2	692	632	185
BPZ-MPL-NZM2X-1000-MV	4x NZM2 / 4x NZM2	892	832	185
BPZ-MPL-NZM2X-1200-MV	4x NZM2 / 4x NZM2	1092	1032	185
BPZ-MPL-NZM3X-600-MV	2x NZM3 / 2x NZM3	492	432	285
BPZ-MPL-NZM3X-800-MV	3x NZM3 / 3x NZM3	692	632	285
BPZ-MPL-NZM3X-1000-MV	3x NZM3 / 3x NZM3	892	832	285
BPZ-MPL-NZM3X-1200-MV	3x NZM3 / 3x NZM3	1092	1032	285
BPZ-MPL-NZM4-600-MV-XVTL	1x NZM4 / 1x NZM4	518	432	260
BPZ-MPL-NZM4X-800-MV-XVTL	2x NZM4 / 2x NZM4	718	632	327
BPZ-MPL-NZM4X-1000-MV-XVTL	3x NZM4 / 2x NZM4	918	832	327

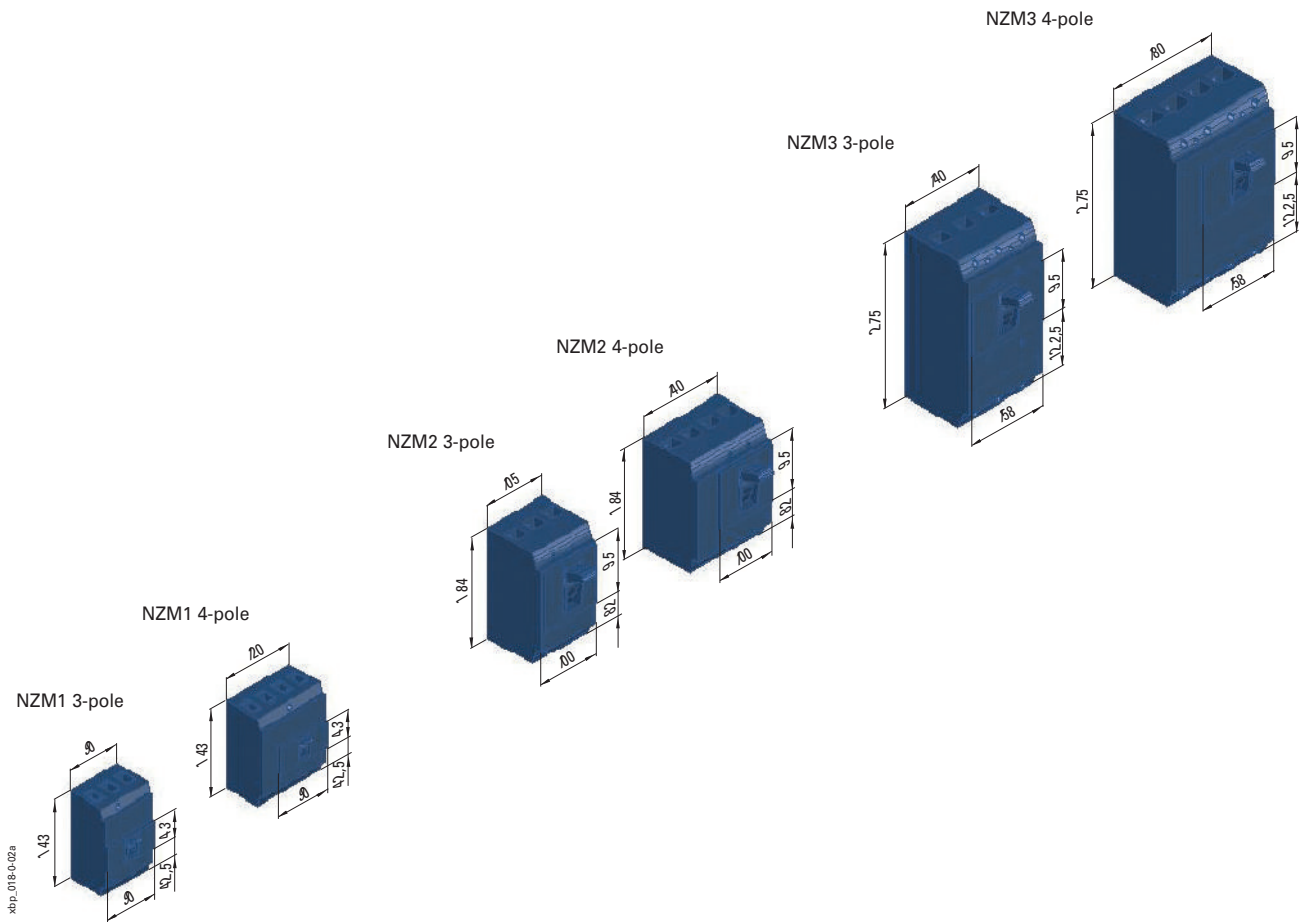
*) Max. number depending on availability of suitable front plates

Placing of the mounting holes for particular type sizes of the circuit breakers (BPZ-MPL-NZM3X-...)

- In case that circuit breakers of different type sizes are mounted onto a single mounting plate it is necessary to put spacers NZM1/2-XAB under the smaller-size breaker. The matching front plate with plastic insert BPZ-FPP have to be prepared individual (no cuttings existing).



Basic dimensions of the circuit breakers NZM

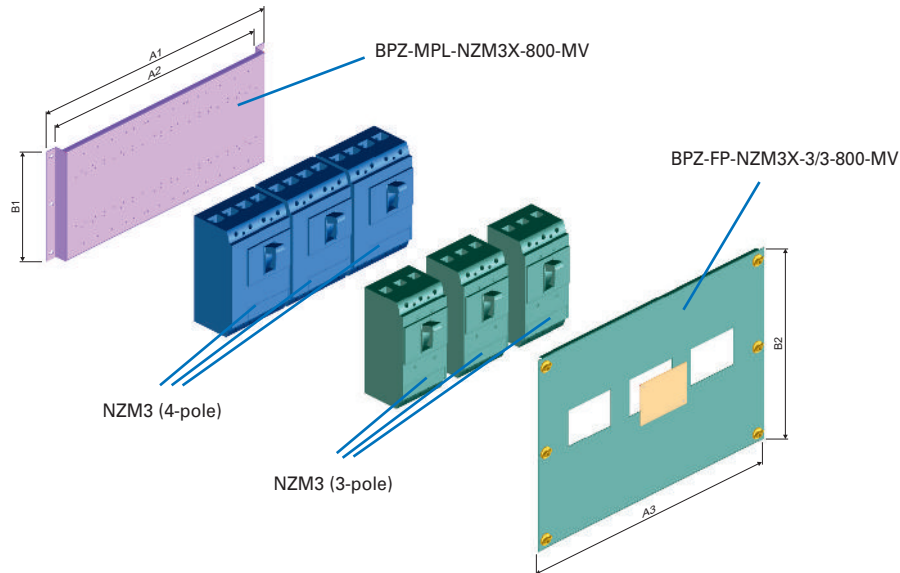


Front Plate for Several Devices such as NZM, BPZ-FP

- To cover the areas occupied by circuit breakers
- Metal front plates making contact with the enclosure
- Material: Sheet steel, powder-coated, RAL 7035
- Scope of delivery: 1 Front plate incl. empty-space cover (with NZM2, NZM3 and NZM4)

Dimensions [mm]

Type	Max. number of 3-/4-pole NZMs	A3	B2	Number of empty-space covers
BPZ-FP-400/200-45	2x NZM1 / 2x NZM1	320	199	-
BPZ-FP-600/200-45	4x NZM1 / 3x NZM1	520	199	-
BPZ-FP-800/200-45	7x NZM1 / 5x NZM1	720	199	-
BPZ-FP-1000/200-45	9x NZM1 / 6x NZM1	920	199	-
BPZ-FP-1200/200-45	11x NZM1 / 8x NZM1	1120	199	-
BPZ-FP-NZM2X-2/0-400-MV	2x NZM2 / -	320	299	1x NZM2 Cover plate
BPZ-FP-NZM2X-3/2-600-MV	3x NZM2 / 2x NZM2	520	299	2x NZM2 Cover plates
BPZ-FP-NZM2X-4/4-800-MV	4x NZM2 / 4x NZM2	720	299	3x NZM2 Cover plates
BPZ-FP-NZM2X-4/4-1000-MV	4x NZM2 / 4x NZM2	920	299	3x NZM2 Cover plates
BPZ-FP-NZM2X-4/4-1200-MV	4x NZM2 / 4x NZM2	1120	299	3x NZM2 Cover plates
BPZ-FP-NZM3X-2/2-600-MV	2x NZM3 / 2x NZM3	520	499	1x NZM3 Cover plate
BPZ-FP-NZM3X-3/3-800-MV	3x NZM3 / 3x NZM3	720	499	2x NZM3 Cover plates
BPZ-FP-NZM3X-3/3-1000-MV	3x NZM3 / 3x NZM3	920	499	2x NZM3 Cover plates
BPZ-FP-NZM3X-3/3-1200-MV	3x NZM3 / 3x NZM3	1120	499	2x NZM3 Cover plates
BPZ-FP-NZM4X-2/2-800-MV-XVTL	2x NZM4 / 2x NZM4	720	799	1x NZM4 Cover plate
BPZ-FP-NZM4X-3/2-1000-MV-XVTL	3x NZM4 / 2x NZM4	920	799	2x NZM4 Cover plates
BPZ-FP-NZM4X-3/3-1200-MV-XVTL	3x NZM4 / 3x NZM4	1120	799	2x NZM4 Cover plates



Mounting Plate for NZM symmetrical, BPZ-MPL-NZM...-MX

- For mounting one NZM in horizontal position or several NZMs in vertical position
- Connecting the NZM circuit breakers can be done from the rear (cut-outs are prepared)
- Suitable for wall-mounted or floor-standing enclosures with Profi+ mounting frame
- Material: Sheet steel (2 mm), galvanized
- Scope of delivery: 1 Mounting plate, mounting accessories

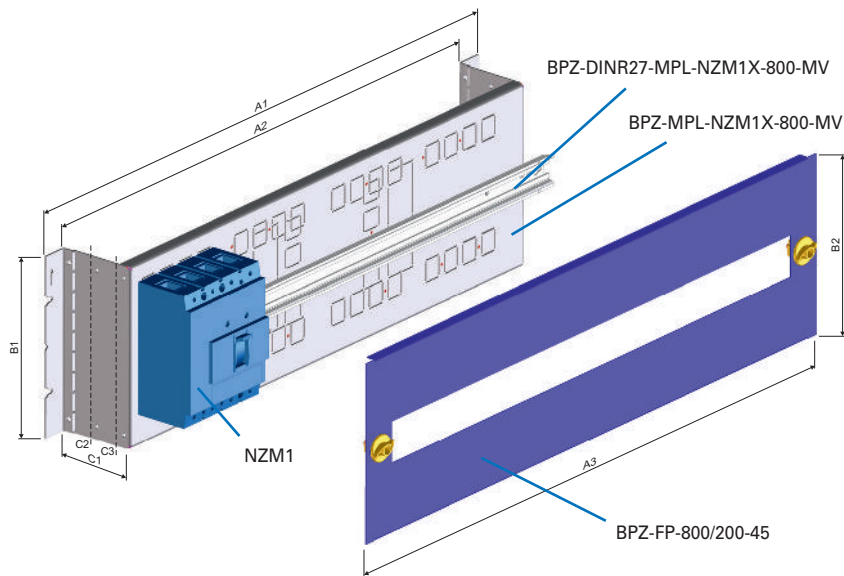
Dimensions [mm]

Type	Max. number of 3-/4-pole NZMs	A1	A2	B1	C1
BPZ-MPL-NZM1X-600-MX	3x NZM1 / 3x NZM1	492	432	199	87
BPZ-MPL-NZM1X-800-MX	4x NZM1 / 4x NZM1	692	632	199	87
BPZ-MPL-NZM2X-600-MX	2x NZM2 / 2x NZM2	492	432	199	52
BPZ-MPL-NZM2X-800-MX	3x NZM2 / 3x NZM3	692	632	199	52
BPZ-MPL-NZM3-600-MX	1x NZM3 / 1x NZM3	492	432	299	34
BPZ-MPL-NZM3-800-MX	1x NZM3 / 1x NZM3	692	632	299	34
BPZ-MPL-NZM4-600-MX-XVTL	1x NZM4 / 1x NZM4	492	432	589	17
BPZ-MPL-NZM4-800-MX-XVTL	1x NZM4 / 1x NZM4	692	632	589	17

DIN Rail for Mounting Plate NZM1 symmetrical, BPZ-DINR

- For mounting installation devices next to 1x NZM1 (vertical) on the same level
- For mounting plate 600 mm: 1x BPZ-DINR17-MPL-NZM1X-600-MV
- For mounting plate 800 mm: 1x BPZ-DINR27-MPL-NZM1X-800-MV
- Material: Aluminium
- Scope of delivery: 1 DIN rail, mounting accessories

Example of application



Fixing Set for max. Installation Depth of the NZM symmetrical Mounting Plate, BPZ-KIT-MPL-NZMX-XDV/XMV/XR-XVTL

- For mounting an NZM circuit breaker with rotary handle (NZM.-XDV), with mechanical lock (NZM.-XMV) or remote operation (NZM.-XR...)
- Depending on the application, the fixing straps and/or the mounting plate need to be shortened accordingly
- Due to the installation depth, the set in combination with the mounting plate can only be used in XVTL distribution boards
- Material: Sheet steel (2 mm), galvanized
- Scope of delivery: 4 Fixing straps, mounting accessories

Examples of application for the fixing set BPZ-KIT-MPL-NZMX-XDV/XMV/XR-XVTL

Application	Type of mounting plate (width = 800 mm)	Fixing set required?	Notes
NZM1 with standard toggle	BPZ-MPL-NZM1X-800-MX	NO	Mounting plate in standard depth (C1)
NZM1 with rotary handle on circuit breaker (XDV)	BPZ-MPL-NZM1X-800-MX	NO	Fix mounting plate in C2 position
NZM1 with mechanical lock (XMV)	BPZ-MPL-NZM1X-800-MX	NO	Fix mounting plate in C3 position
NZM2 with standard toggle	BPZ-MPL-NZM2X-800-MX	NO	Mounting plate in standard depth (C1)
NZM2 with rotary handle on circuit breaker (XDV)	BPZ-MPL-NZM2X-800-MX	NO	Fix mounting plate in C3 position
NZM2 with mechanical lock (XMV)	BPZ-MPL-NZM2X-800-MX	YES	Setup acc. to assembly instructions
NZM2 with remote operation (XR)	BPZ-MPL-NZM2X-800-MX	YES	Setup acc. to assembly instructions
NZM3 with standard toggle	BPZ-MPL-NZM3-800-MX	NO	Mounting plate in standard depth (C1)
NZM3 with rotary handle on circuit breaker (XDV)	BPZ-MPL-NZM3-800-MX	YES	Setup acc. to assembly instructions
NZM3 with mechanical lock (XMV)	BPZ-MPL-NZM3-800-MX	YES	Setup acc. to assembly instructions
NZM3 with remote operation (XR)	BPZ-MPL-NZM3-800-MX	YES	Setup acc. to assembly instructions
NZM4 with standard toggle	BPZ-MPL-NZM4-800-MX-XVTL	NO	Mounting plate in standard depth (C1)
NZM4 with rotary handle on circuit breaker (XDV)	BPZ-MPL-NZM4-800-MX-XVTL	YES	Setup acc. to assembly instructions
NZM4 with remote operation (XR)	BPZ-MPL-NZM4-800-MX-XVTL	NO	Order 2x XBBB085-1 + 2x XSFS06-1

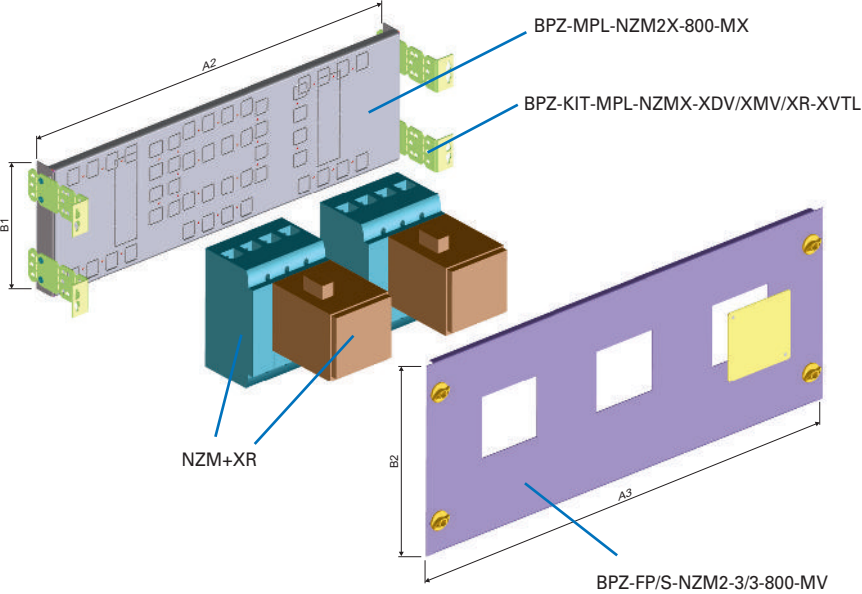
Front Plate NZM symmetrical, BPZ-FP/S

- To cover the areas occupied by circuit breakers
- Metal front plates making contact with the enclosure
- Material: Sheet steel, powder-coated, RAL 7035
- Scope of delivery: 1 Front plate (with empty-space cover where applicable)

Dimensions [mm]

Application	Max. number of 4-pole NZMs	A3	B2	Number of empty-space cover plates
BPZ-FP-600/200-45	3x NZM1 (vertical)	520	199	-
BPZ-FP-600/200-45	1x NZM1+XFI (vertical)	520	199	-
BPZ-FP/S-NZM1-600-MH	1x NZM1 (horizontal)	520	199	-
BPZ-FP-800/200-45	4x NZM1 (vertical)	720	199	-
BPZ-FP-800/200-45	2x NZM1+XFI (vertical)	720	199	-
BPZ-FP/S-NZM1-800-MH	1x NZM1 (horizontal)	720	199	-
BPZ-FP/S-NZM2-600-MV	1x NZM2 (vertical)	520	299	-
BPZ-FP/S-NZM2X-2/2-600-MV	2x NZM2 (vertical)	520	299	1x NZM2 Cover plate
BPZ-FP/S-NZM2-XFI-600-MV	1x NZM2+XFI (vertical)	520	399	-
BPZ-FP/S-NZM2-600-MH	1x NZM2 (horizontal)	520	199	-
BPZ-FP/S-NZM2-XFI-600-MH	1x NZM2+XFI (horizontal)	520	199	-
BPZ-FP/S-NZM2-800-MV	1x NZM2 (vertical)	720	299	-
BPZ-FP/S-NZM2X-3/3-800-MV	3x NZM2 (vertical)	720	299	2x NZM2 Cover plates
BPZ-FP/S-NZM2-XFI-800-MV	1x NZM2+XFI (vertical)	720	399	-
BPZ-FP/S-NZM2-800-MH	1x NZM2 (horizontal)	720	199	-
BPZ-FP/S-NZM2-XFI-800-MH	1x NZM2+XFI (horizontal)	720	199	-
BPZ-FP/S-NZM3-600-MV	1x NZM3 (vertical)	520	399	-
BPZ-FP/S-NZM3-XDV-600-MV	1x NZM3+XDV (vertical)	520	399	-
BPZ-FP/S-NZM3-600-MH	1x NZM3 (horizontal)	520	399	-
BPZ-FP/S-NZM3-XDV-600-MH	1x NZM3+XDV (horizontal)	520	399	-
BPZ-FP/S-NZM3-800-MV	1x NZM3 (vertical)	720	399	-
BPZ-FP/S-NZM3-XDV-800-MV	1x NZM3+XDV (vertical)	720	399	-
BPZ-FP/S-NZM3-800-MH	1x NZM3 (horizontal)	720	399	-
BPZ-FP/S-NZM3-XDV-800-MH	1x NZM3+XDV (horizontal)	720	399	-
BPZ-FP/S-NZM4-600-MV-XVTL	1x NZM4 (vertical)	520	599	-
BPZ-FP/S-NZM4-XDV-600-MV-XVTL	1x NZM4+XDV (vertical)	520	599	-
BPZ-FP-NZM4-600-MH-XVTL	1x NZM4 (horizontal)	520	599	-
BPZ-FP-NZM4-XDV-600-MH-XVTL	1x NZM4+XDV (horizontal)	520	599	-
BPZ-FP/S-NZM4-800-MV-XVTL	1x NZM4 (vertical)	720	599	-
BPZ-FP/S-NZM4-XDV-800-MV-XVTL	1x NZM4+XDV (vertical)	720	599	-
BPZ-FP/S-NZM4-800-MH-XVTL	1x NZM4 (horizontal)	720	599	-
BPZ-FP/S-NZM4-XDV-800-MH-XVTL	1x NZM4+XDV (horizontal)	720	599	-

Example of application



Mounting Set for NH Fuse Disconnecter Switches XNH, BPZ-XNH

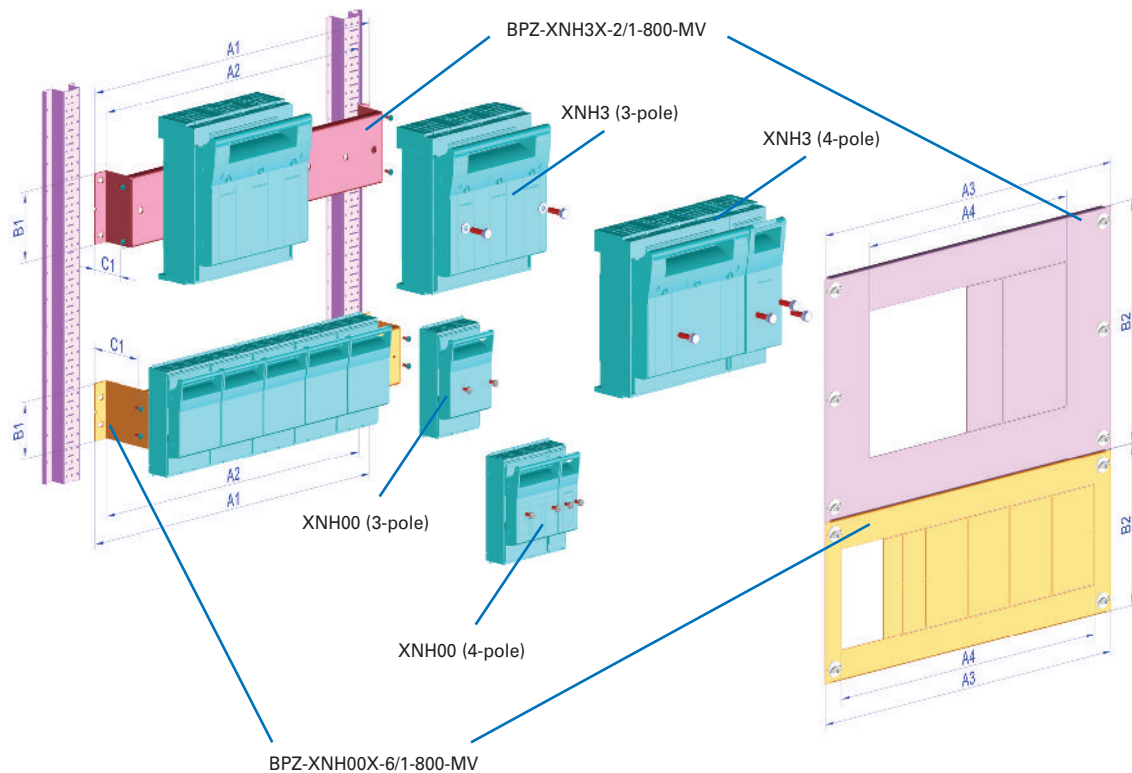
- Mounting set for fixing XNH fuse disconnecter switches on a mounting plate
- Sizes (rated operating current)
XNH00 (160 A), XNH1 (250 A), XNH2 (400 A), XNH3 (630 A)
- Front panel is prepared for mounting a 3-pole device, additional perforations for multiple mounting are prepared and can be knocked out according to your requirements by means of a suitable tool
- Finger-safe finish is guaranteed even without using an additional empty-space cover
- Suitable for both wall-mounted and floor-standing cabinets with Profi+ mounting frame (no set-up on MSW mounting-side-panel possible)
- Material
Mounting plate: Steel sheet (2 mm), galvanized
Front panel: Steel sheet, powder-coated, RAL 7035 or RAL 9016
- Scope of delivery: 1 Mounting plate, 1 front panel, fixing material

Dimensions [mm]

Type	Max. number of 3-/4-pole XNH	A1	A2	A3	A4	B1	B2	C1
BPZ-XNH00X-2/1-400-MV(-W)	2x XNH00 / 1x XNH00 *)	292	236	320	212	105	299	110
BPZ-XNH00X-4/1-600-MV(-W)	4x XNH00 / 1x XNH00 *)	492	436	520	425	105	299	110
BPZ-XNH00X-6/1-800-MV(-W)	6x XNH00 / 1x XNH00 *)	692	636	720	638	105	299	110
BPZ-XNH1-1/0-400-MV(-W)	1x XNH1 / —	292	236	320	180	130	449	85
BPZ-XNH1X-2/1-600-MV(-W)	2x XNH1 / 1x XNH1 *)	492	436	520	365	130	449	85
BPZ-XNH1X-3/1-800-MV(-W)	3x XNH1 / 1x XNH1 *)	692	636	720	550	130	449	85
BPZ-XNH2-1/X-400-MV(-W)	1x XNH2 / —	292	236	320	206	130	449	65
BPZ-XNH2X-2/X-600-MV(-W)	2x XNH2 / —	492	436	520	417	130	449	65
BPZ-XNH2X-3/X-800-MV(-W)	3x XNH2 / —	692	636	720	628	130	449	65
BPZ-XNH3-1/0-600-MV(-W)	1x XNH3 / —	492	436	520	246	130	449	65
BPZ-XNH3X-2/1-800-MV(-W)	2x XNH3 / 1x XNH3 *)	692	636	720	497	130	449	65

*) Where necessary, it is possible to install several 4-pole devices, but the cut-out will then need to be adjusted accordingly.

Example of application



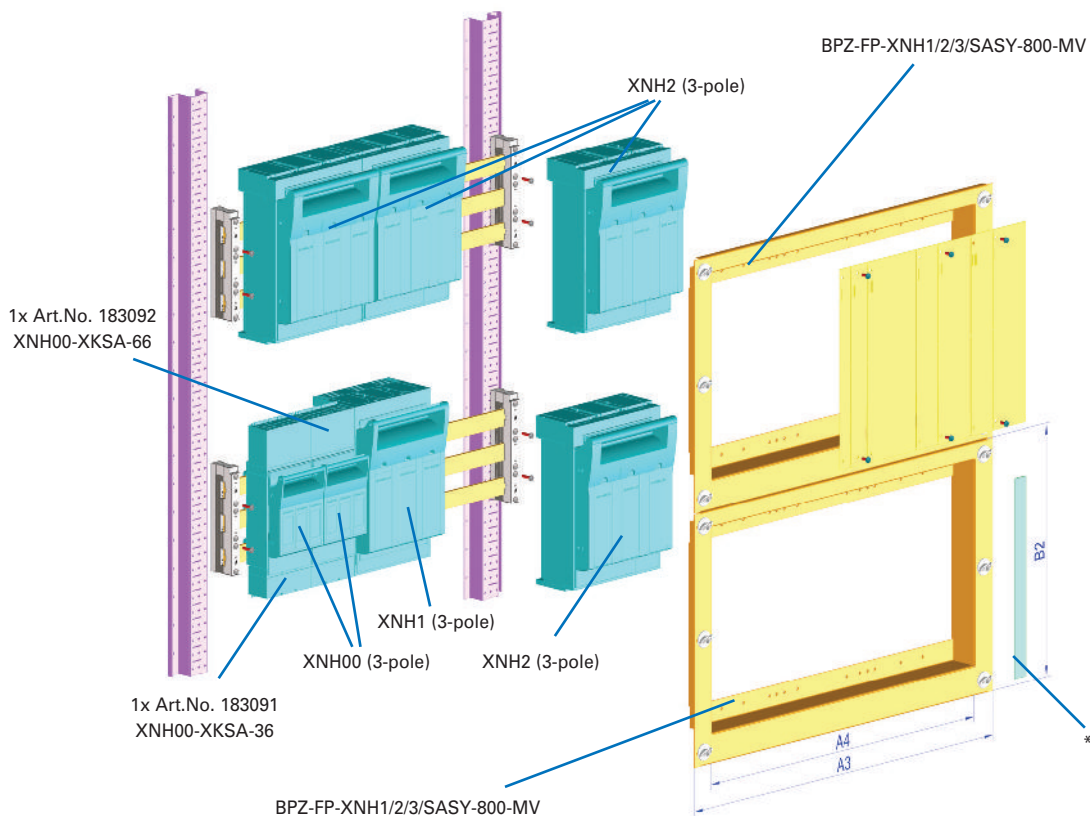
Front Panel for NH Fuse Disconnecter Switches XNH when installed on a busbar of 60 mm (SASY 60i) at the base frame

- When XNH devices are used for a 60 mm busbar system
- Sizes (rated operating current)
XNH1 (250 A), XNH2 (400 A), XNH3 (630 A)
XNH00 (160 A) – when using a cover for the connection area
XNH00-XKSA-36 (at the bottom) or XNH00-XKSA-66 (at the top)
- The busbar system (SASY 60i) can directly be fixed at the base frame without using any mounting brackets
- If devices of the same size (except XNH00) are installed, the empty-space cover included in the delivery complies with all requirements. It only needs to be adjusted to the number available.
- The front panel adjusts itself to the required level of the devices. It is also possible to install devices of different sizes next to each other (in this case it is not possible to use the empty-space cover).
- Suitable for wall-mounted and floor-standing cabinets with a Profi+ mounting frame
- Material: Sheet steel, powder-coated, RAL 7035
- Scope of delivery: 1 Front panel, 1 empty-space cover

Dimensions [mm]

Type	Max. number of 3-pole XNH (same size)	Max. number of 3-pole XNH00 with cover for connection area	A3	A4	B2
BPZ-FP-XNH1/2/SASY-400-MV	1x XNH1 / 1x XNH2	2x XNH00	320	234	449
BPZ-FP-XNH1/2/3/SASY-600-MV	2x XNH1 / 2x XNH2 / 1x XNH3	4x XNH00	520	434	449
BPZ-FP-XNH1/2/3/SASY-800-MV	3x XNH1 / 3x XNH2 / 2x XNH3	5x XNH00	720	634	449

Example of application



^{*)} Individual cover strip made of insulation material to be used when installing devices of different size (depending on the requirements - to be prepared by the customer)

Mounting sets for 3-pole IEC busbar support 630A SASY60i, BPZ-BR/SASY/H...

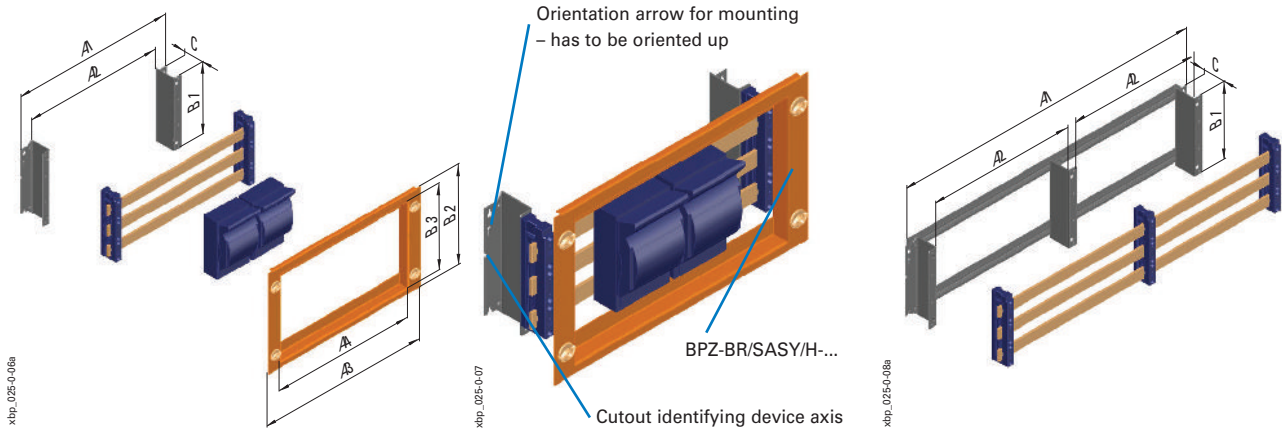
- Mounting sets for fixing the busbar supports BBS-3/FL
- Material
Front plate: sheet steel, powder-coated, RAL 7035
Mounting angles: sheet steel (2 mm), zinc-coated
- For surface mounted or floor-standing distribution boards
- Scope of delivery:
Width 400 to 800 mm: 2 fixing angles, 1 front plate, fixing material
Width 1000 to 1200 mm: 3 fixing angles, 2 profiles, 1 front plate, fixing material

Dimensions [mm]

Type	Mounting angles				Front panel				Max. number of 3-pole XNH00 without connection section cover
	Outside dimensions				Inside dimensions				
	Width		Height		Width		Height		
	A1	B1	A2	C	A3	B2	A4	B3	
BPZ-BR/SASY/H-400	296	215	222	63	320	300	234	194	2x XNH00
BPZ-BR/SASY/H-600	496	215	422	63	520	300	434	194	4x XNH00
BPZ-BR/SASY/H-800	696	215	622	63	720	300	634	194	5x XNH00
BPZ-BR/SASY/H-1000	896	215	398	63	920	300	834	194	6x XNH00
BPZ-BR/SASY/H-1200	1096	215	498	63	1120	300	1034	194	8x XNH00

For board widths 400, 600, 800 mm

For board widths 1000 and 1200 mm



Mounting plates with pre-drilled holes for mounting busbar holders SASY 60i BPZ-MPLSASY

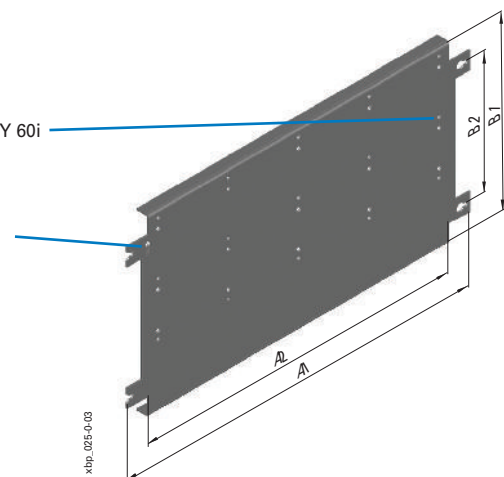
- For mounting of holders of SASY 60i system
- Material: sheet steel (2 mm), zinc-coated
- Scope of delivery: 1 mounting plate, fixing material

Dimensions [mm]

Type	Width		Height		Number of BEL elements on the side
	A1	A2	B1	B2	
BPZ-MPLSASY-425	313	253	250	175	2
BPZ-MPLSASY-600	488	428	250	175	2
BPZ-MPLSASY-800	688	648	250	175	2
BPZ-MPLSASY-1000	888	846	250	175	2
BPZ-MPLSASY-1200	1088	1046	250	175	2

Pre-drilled holes for mounting of SASY 60i

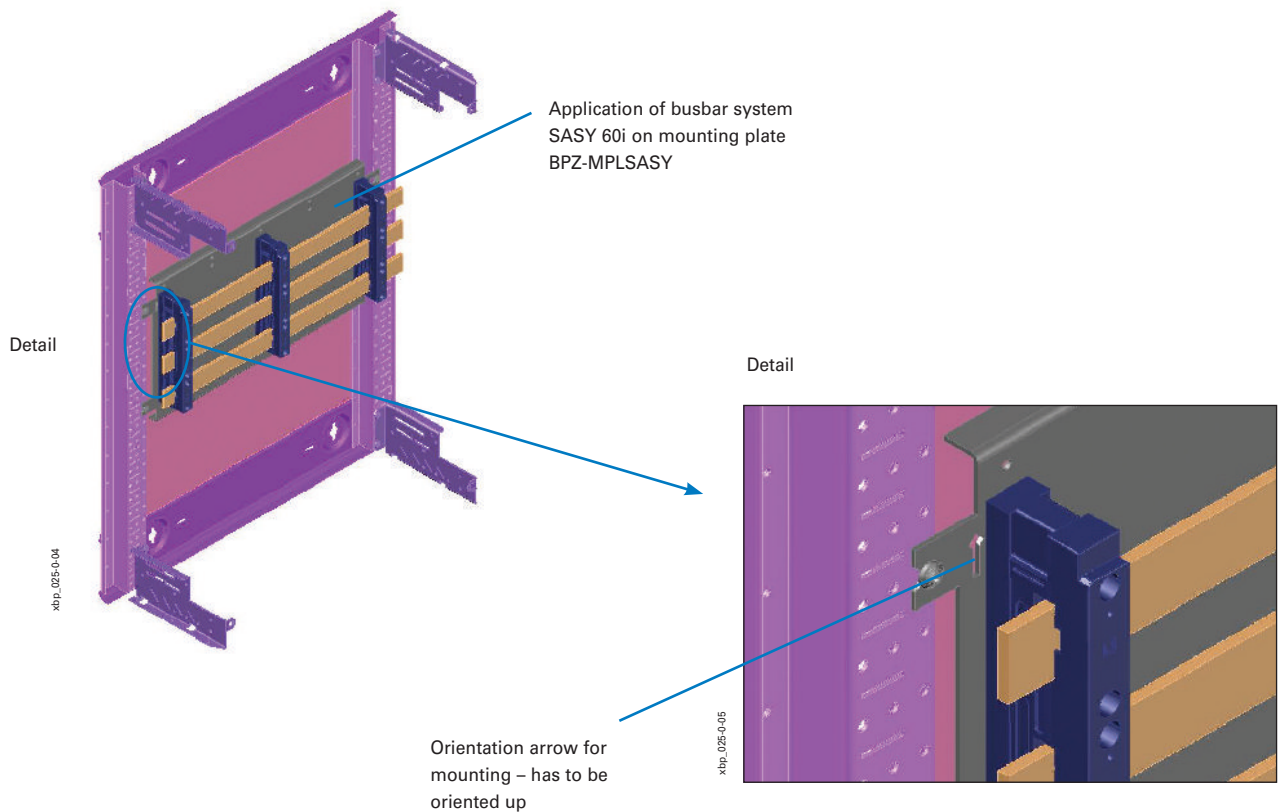
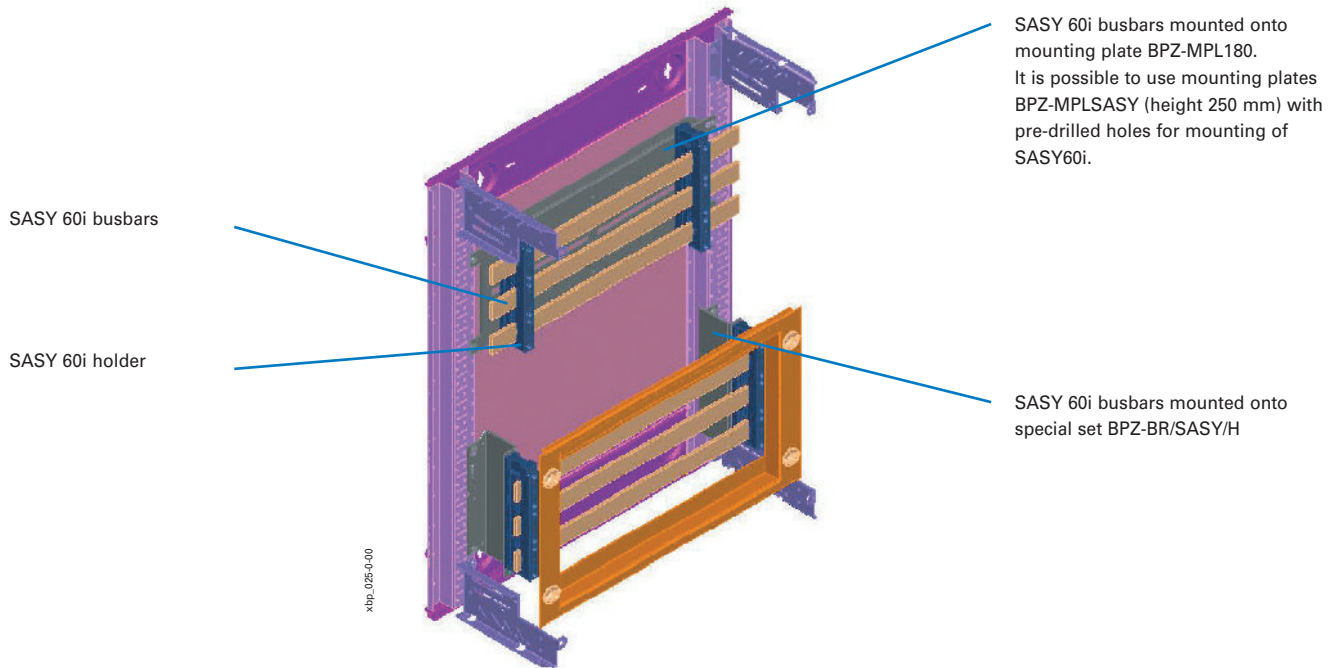
Orientation arrow for mounting
– has to be oriented up

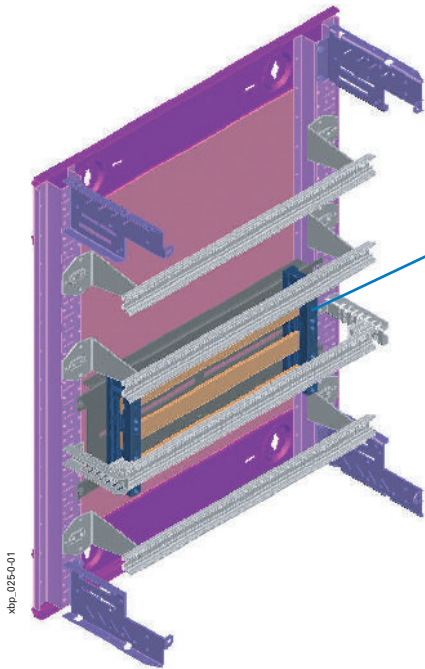


Example of mounting of busbar system SASY 60i

Application example:

- The busbars are fed via circuit breaker NZM
- The busbars serve as a connection point for particular devices



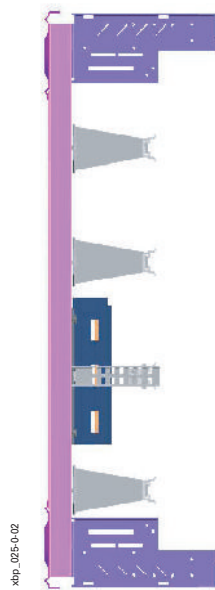


xbp_025-0-01

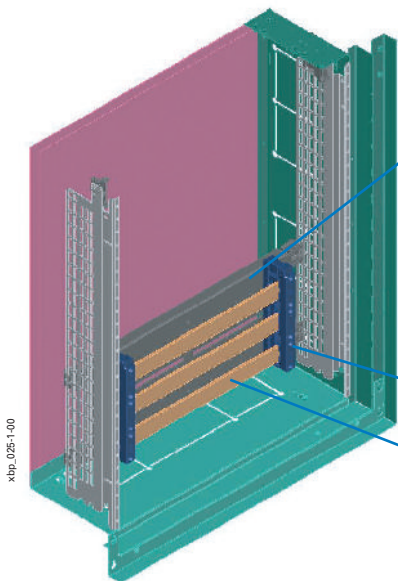
BPZ-MPL180...
SASY 60i busbars mounted onto mounting plate.
It is possible to use mounting plates BPZ-MPLSASY (height 250 mm) with pre-drilled holes for mounting of SASY60i.

The busbars can be placed under the device rails – save of space in the board.

For fastening of the device rail over the busbars the towers BPZ-TA have to be used (set BPZ-DINR...-T).



xbp_025-0-02



xbp_025-1-00

BPZ-MPL180... + BEL...
SASY 60i busbars mounted onto mounting plate – can be used for branching of L/N/PE conductors.

It is possible to use mounting plates BPZ-MPLSASY (height 250 mm) with pre-drilled holes for mounting of SASY60i.

Recommended mounting depth (5) – suitable for branching of L/N/PE as well as for direct mounting of devices onto the busbars.

Front plate with plastic insert can be use to cover – cutouts are done according to actual device position.

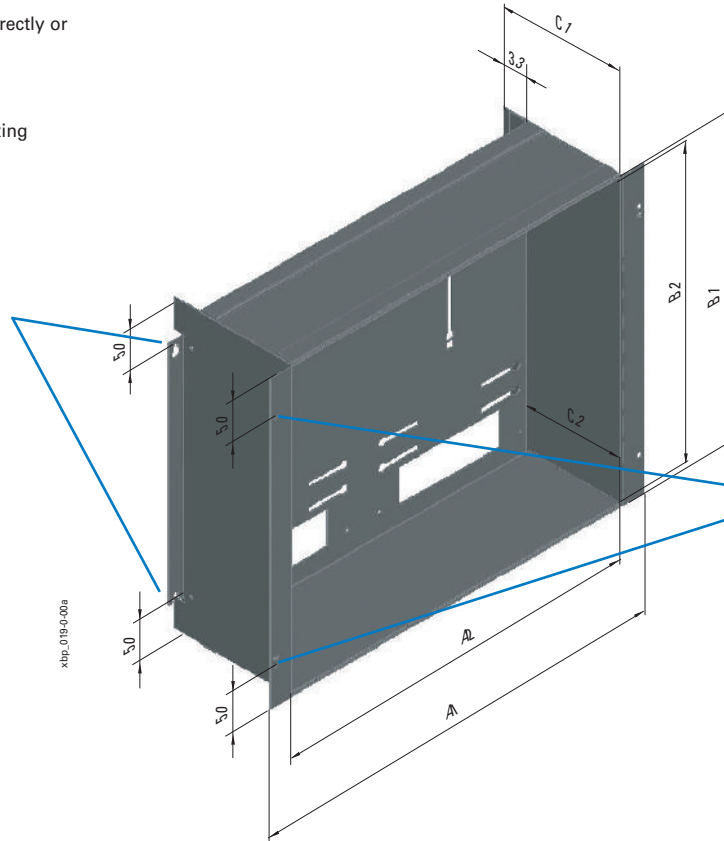
SASY 60i holder

SASY 60i busbars

Meter troughs, BPZ-MT-...

- Meter troughs for mounting meter directly or via meter plates ZBR
- Material: sheet steel, powder-coated, RAL 7035
- Scope of delivery: 1 meter trough, fixing material

Openings for fixing onto rear frame in surface-mounted boards IP30 or for hanging in surface-mounted boards IP54 and floor-standing boards



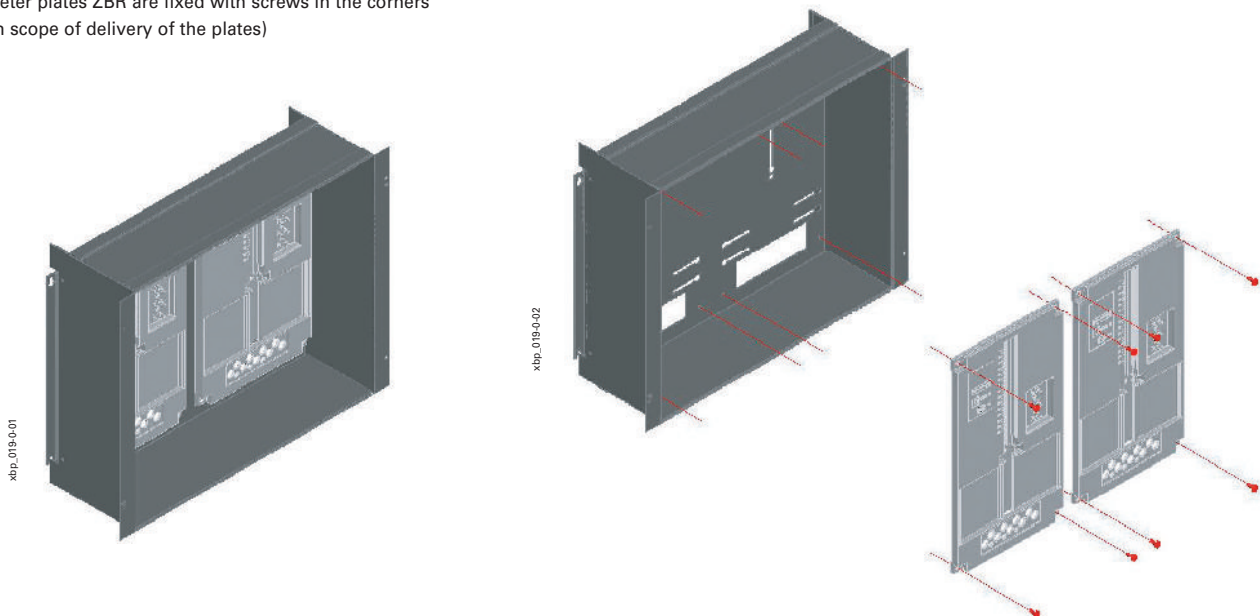
Openings for fixing onto side walls BPZ-MSW or support BPZ-FPS (if mounted without BPZ-MSW into surface-mounted boards IP54 or floor-standing boards for which there is not access for rear mounting due to welded construction of the board)

Dimensions [mm]

Type	Outsider dimensions					
	Width	Height	Depth			
	A1	B1	C1	A2	B2	C2
BPZ-MT-400/400-1	320	400	165	-	390	130
BPZ-MT-600/400-2	520	400	165	459	390	130
BPZ-MT-800/400-3	720	400	165	659	390	130
BPZ-MT-1000/400-4	920	400	165	859	390	130
BPZ-MT-1200/400-5	1120	400	165	1059	390	130
BPZ-MT-400/450-1	320	450	165	-	440	130
BPZ-MT-600/450-2	520	450	165	459	440	130
BPZ-MT-800/450-3	720	450	165	659	440	130
BPZ-MT-1000/450-4	920	450	165	859	440	130
BPZ-MT-1200/450-5	1120	450	165	1059	440	130

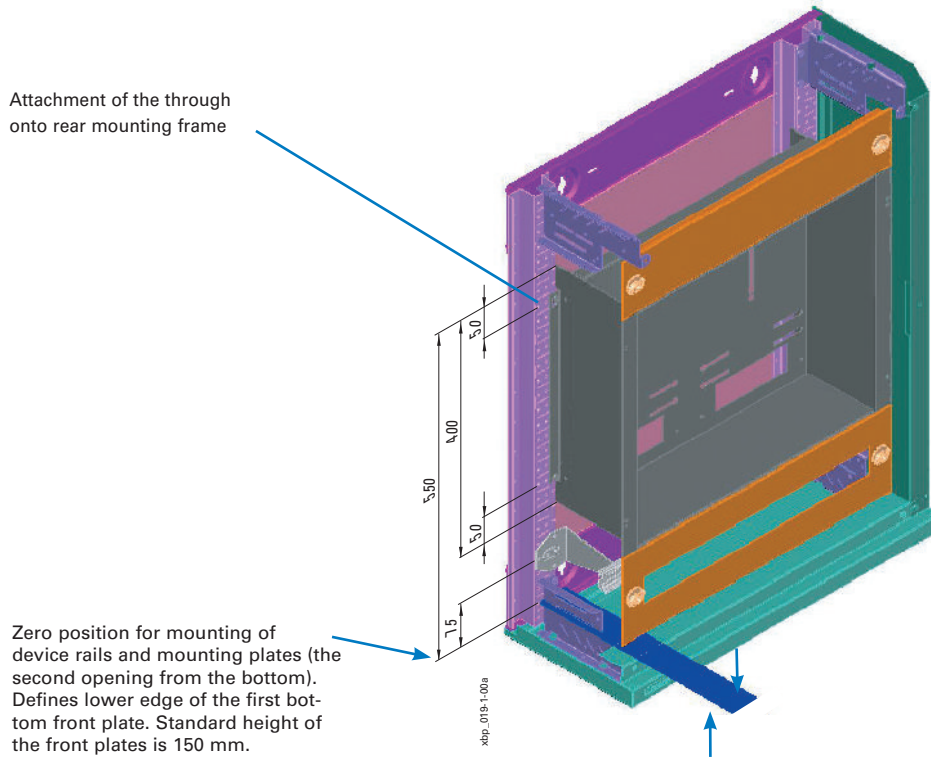
Mounting of meter plates ZBR into troughs BPZ-MT

- Meter plates ZBR are fixed with screws in the corners (in scope of delivery of the plates)



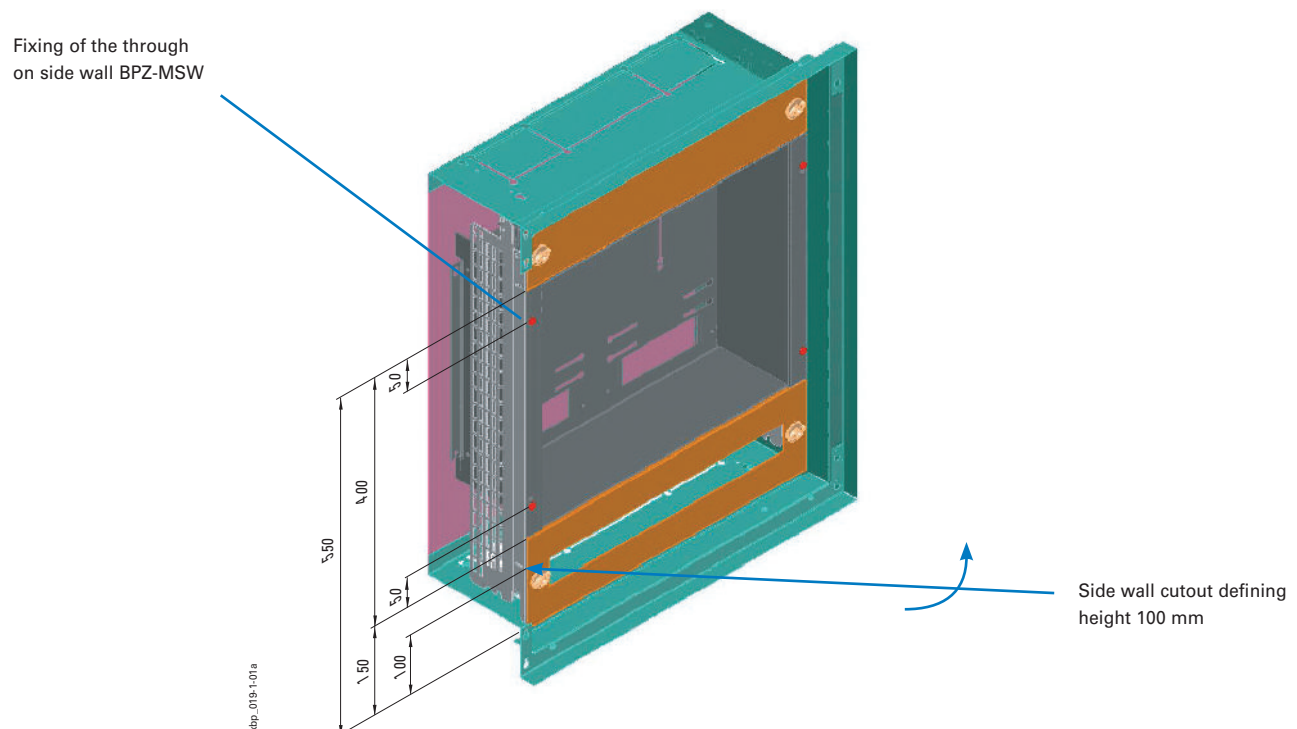
Application of meter through in a surface-mounted board IP30

- Trough is mounted directly onto rear frame
- Sealing screws for securing of the trough can be screwed into support BPZ-FPS
- In case of use BPZ-MSW, the through is fixed via front part onto BPZ-MSW (see application in flush-mounted board)
- Meter through has to be mounted into board before the side walls BP-SP



Application of meter through in flush-mounted board or surface-mounted board IP54

- The trough is mounted onto side walls BPZ-MSW or supports BPZ-FPS
- If sealing is asked, standard screws are replaced with sealing ones
- Meter throughs can be mounted into flush-mounted boards with wall box of depth of 240 mm only
- Assembling into surface-mounted boards IP54 or floor-standing boards is carried in simmilar way. It is not possible to use rear mounting due to fixed side walls. For these cases, the through can be hanged onto rear frame. The fixing itself is performed from the front by means of screws screwed into BPZ-MSW or BPZ-FPS.

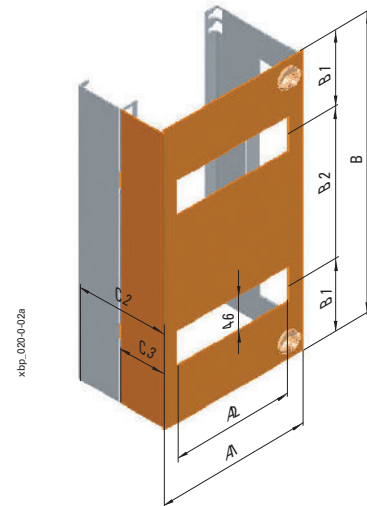


Device rail sets, BPZ-DRS-MT

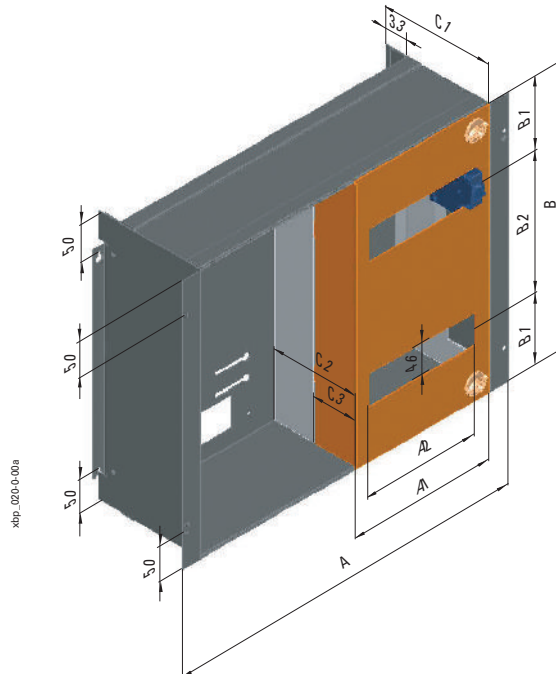
- For using free metering places with device rails
- Mounting is possible into side positions in the through
- Material: sheet steel, powder-coated, RAL 7035
- Scope of delivery: 1 device rail set, fixing material

Dimensions [mm]

Type	Outside dimensions						
	Width		Height	Depth			
	A1	B	C2	A2	B1	B2	C3
BPZ-DRS-MT/400-1	215	400	130	170	100	200	65
BPZ-DRS-MT/450-1	215	450	130	170	125	200	65

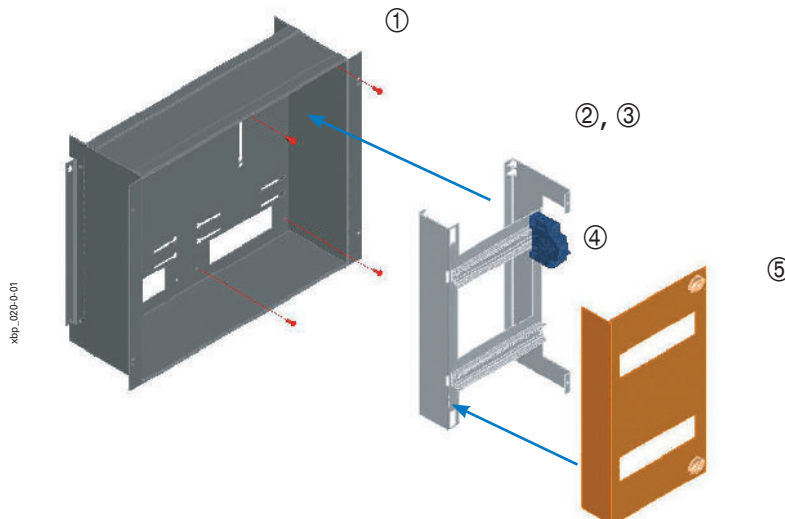


Assembling into meter through



Mounting process:

1. Pre-screwing of fixing screws into meter through. The screws must not be screwed tight.
2. Placing of the device rail set onto pre-screwed screws.
3. Tightening of the fixing screws.
4. Potential installation or connecting of inside equipment.
5. Mounting of a front panel



Set for front plate sealing, BPZ-SS

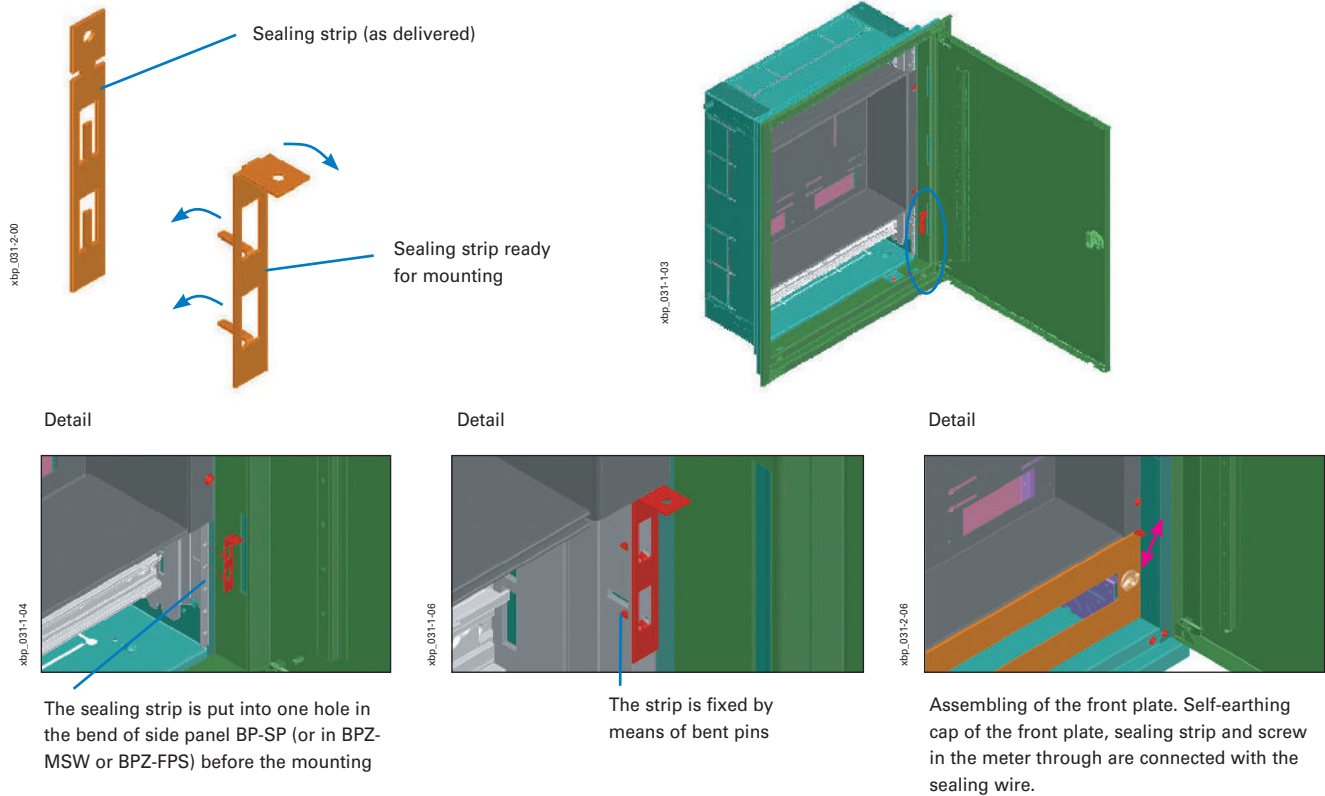
- Set for sealing of distribution boards
- Scope of delivery: 4 pcs of sealing strips, 4 pcs of sealing screws M5, 1 pc of tapping screw M5

Process of sealing of front plates

- Fixed point is given by properly mounted sealing strip
- Sealing screw M5
- Sealing wire is led through both openings in plastic cap of self-earthing fixing system, screw head of the sealing screw and lug in the sealing strip

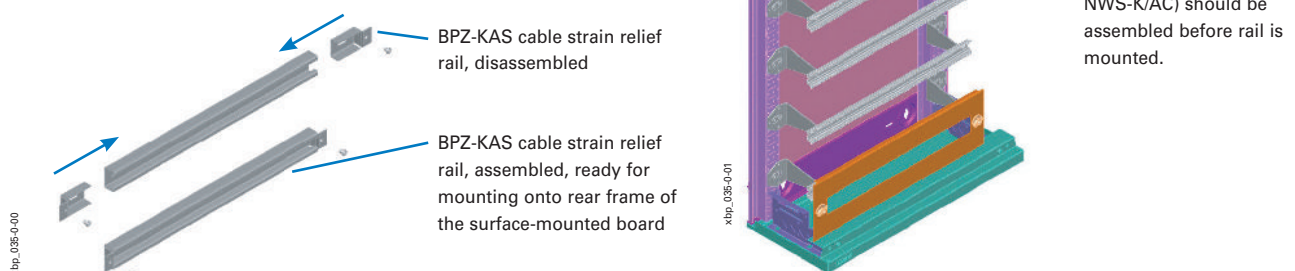
Process of sealing of meter through

- The through can be fixed from the front side into BPZ-FPS or BPZ-MSW by means of sealing screws M5 (included in the set). The tapping screw from the set is used to make thread.
- The sealing itself can be done with sealing strip of a neighbouring front plate or with pre-moulded lugs in the through



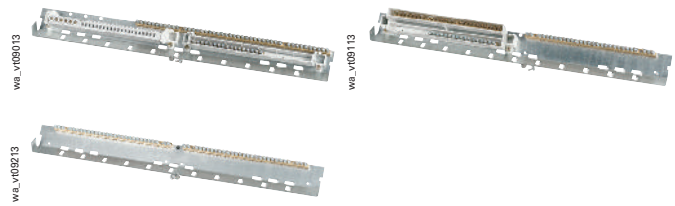
Cable strain relief rail C-profile, BPZ-KAS

- The rail is used to provide strain relief to the cables right after cable entry
- Suitable for mounting cable clips
- Can be used in surface-mounted or floor-standing boards
- To be fixed with fastening angles right above cable entry
- Material: sheet steel, galvanized
- Scope of delivery: 1 cable strain relief rail, 2 fastening angles, fixing material



Terminal support bars, BPZ-TSB

- For mounting of terminals (KLV-)KL
- For surface mounted or floor-standing boards
- Mounted directly on the corner tower sets BPZ-CTS (the mounting is recommended before tightening of the fixing screws of the corner tower set)
- Possibility of direct mounting of PE terminal (conductive connection with board construction)
- N terminals are mounted by means of KT holders
- Material: sheet steel, galvanized
- Scope of delivery: 1 terminal support bar, fixing material

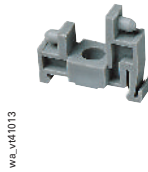


Terminal supports, KT

- Scope of delivery: 1 terminal support

KT-3

- For terminal strips KL-7 up to KL-60 mounted onto flat or hollow rails (2 pcs. needed)



KT-5

- For terminal strips up to KL-15, for vertical snap-on mounting onto device rails according to IEC/EN 60715



Terminal strips, (KLV-)KL

- Maximum current 63 A (125 A if strip is fed into its center via KLA)
- Scope of delivery: 1 terminal strip

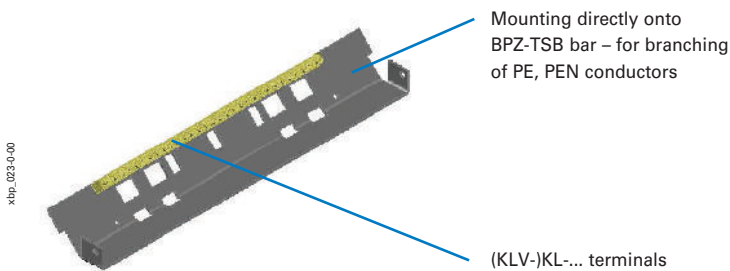
Type	Length [mm]	Number of terminals
KLV-KL-7	59	7 x 16mm ² , 1 x 25mm ²
KLV-KL-11	59	11 x 16mm ² , 1 x 25mm ²
KLV-KL-15	115	15 x 16mm ² , 2 x 25mm ²
KLV-KL-25	59	25 x 16mm ² , 2 x 25mm ²
KL-29	219	29 x 16mm ² , 2 x 25mm ²
KL-45	331	45 x 16mm ² , 2 x 25mm ²
KL-60	443	60 x 16mm ² , 2 x 25mm ²
KLM	1000	n x 16mm ²



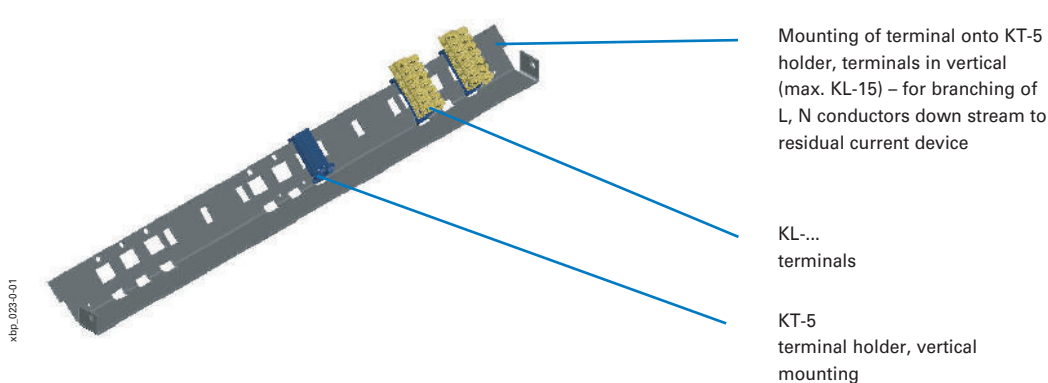
KLA connection terminal for 35 mm²

Possible variants of equipping of support bars BPZ-TSB with terminals (KLV-)KL

For board width 400 mm

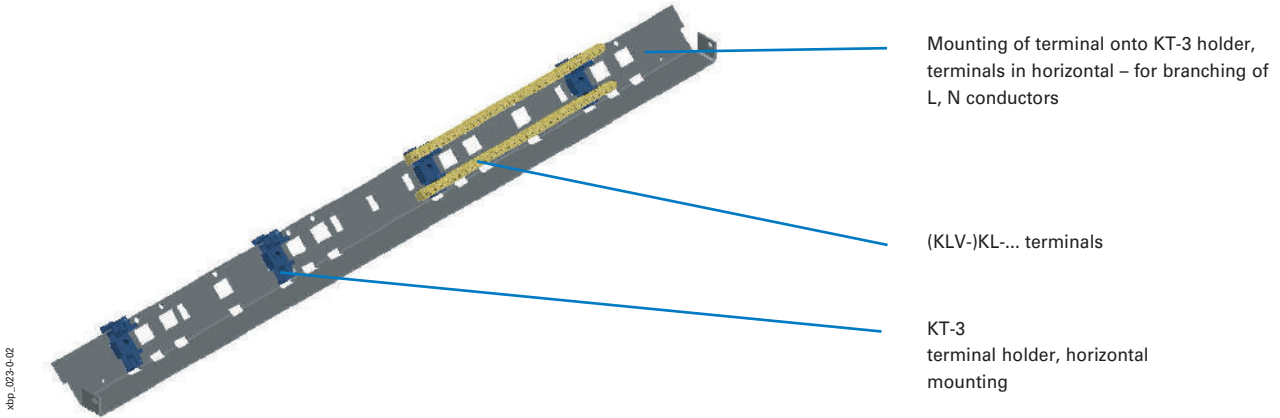


For board width 600 mm

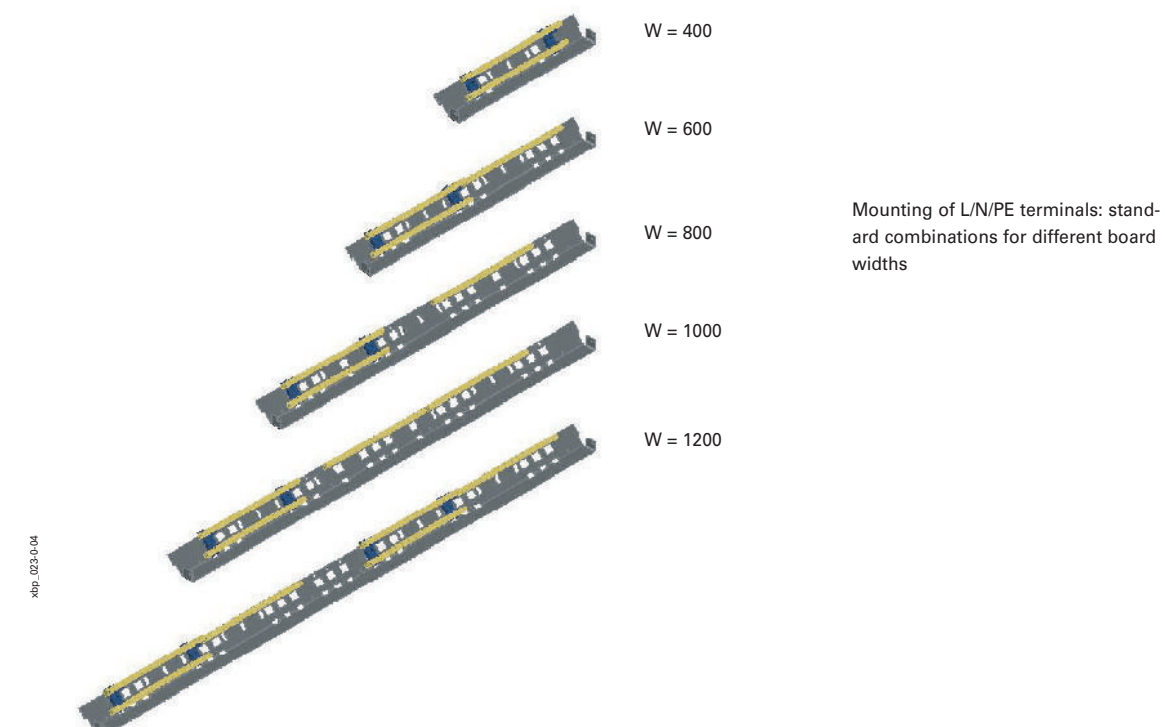
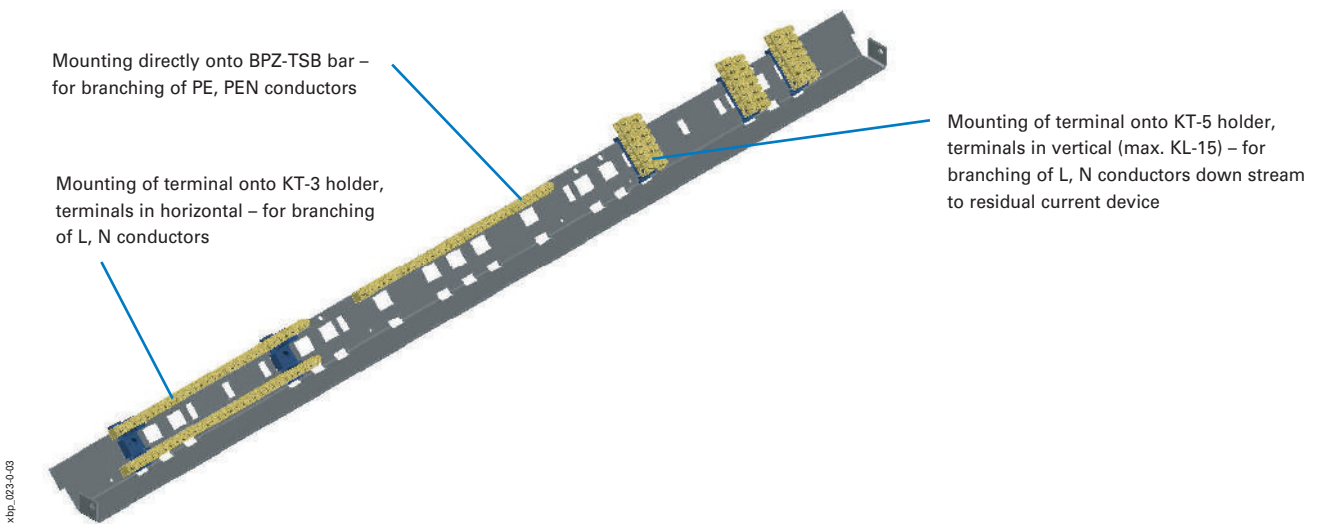


Distribution Boards

For board width 800 mm

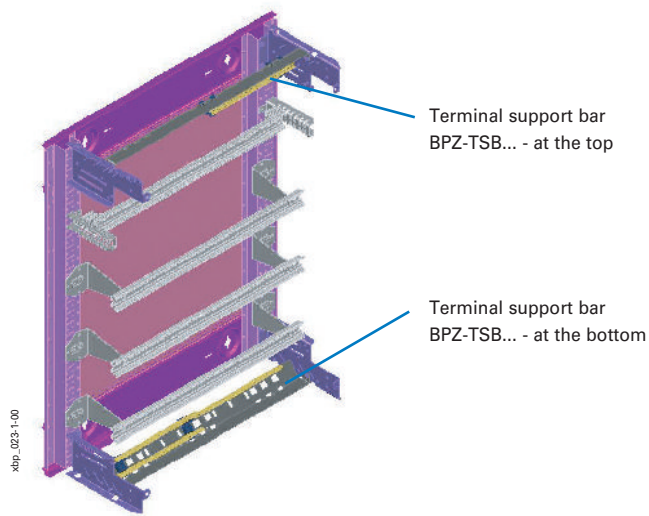


For board width 1000 mm

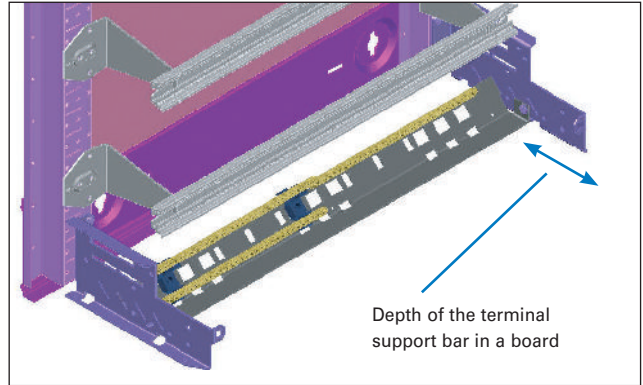


Placing of BPZ-TSB bar inside a board

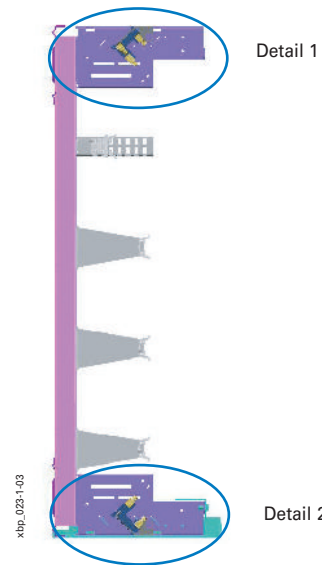
- Suitable only for surface mounted or floor-standing boards



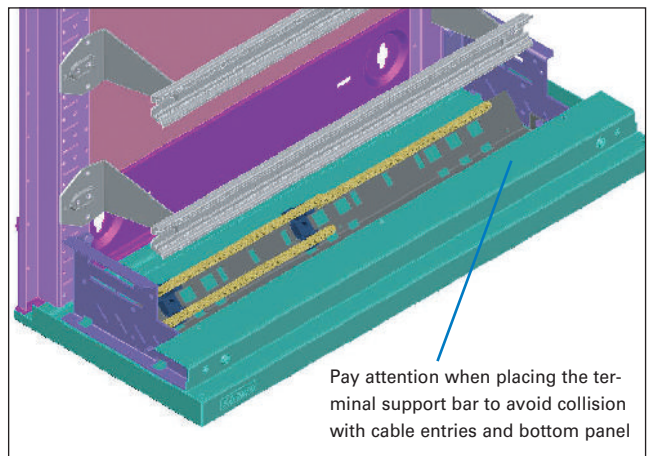
Detail



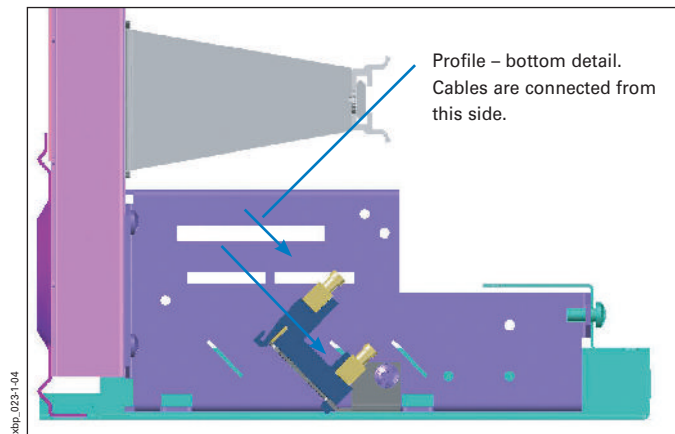
Profile



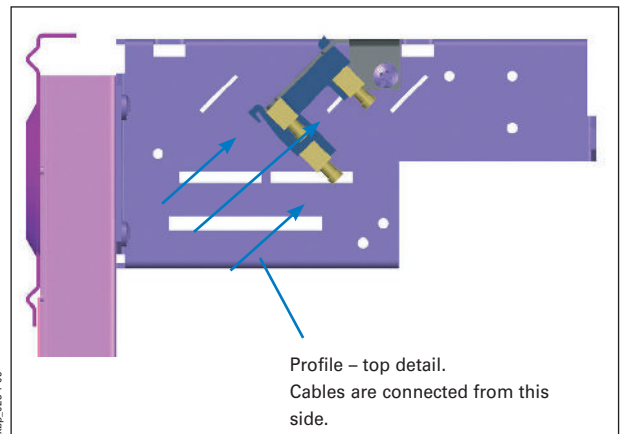
Detail



Detail 1 – profile



Detail 2 – profile

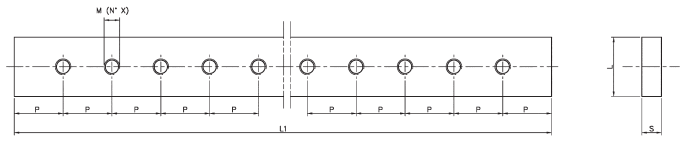


General Accessories

Busbar with Thread, BPZ-BB/T

- Dimensions (mm)

	L	S	P	L1	ØM	N°	Rated Current (A) (Busbar temperature 65°C)
BPZ-BB/T-15/5/1000	15	5	25	1000	M6	39x	218
BPZ-BB/T-20/5/1000	20	5	25	1000	M6	39x	274
BPZ-BB/T-32/5/1000	32	5	25	1000	M6	39x	400
BPZ-BB/T-15/5/2000	15	5	25	2000	M6	79x	218
BPZ-BB/T-20/5/2000	20	5	25	2000	M6	79x	274
BPZ-BB/T-30/5/2000	20	5	25	2000	M6	79x	379
BPZ-BB/T-30/10/1000	30	10	25	1000	M8	39x	573



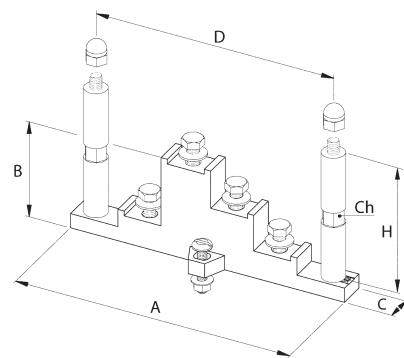
- Scope of delivery: 4 Busbars (art. no. is created as 1 piece)

4-pole Busbar Support, BPZ-BBS-4

BPZ-BBS-4/250

- Rated current 150-250 A
- Mounting position: vertical, horizontal
- For busbars featuring threads M6, 15 x 5 and 20 x 5 mm
- Material: PA66 reinforced with 30% glass fiber
- Flame resistance: self-extinguishing acc. to UL94/V-0
- Halogen free: Yes
- Compact construction
- Holes for fixing with M6 screws
- Easy to mount onto a mounting plate or special prepared brackets
- Additional fixing of protective cover BPZ-PC/BBS250/800-160-25
- Continuous operating temperature: +130°C
- Max. distance between the busbar supports in mm in case of one busbar per phase

Bar cross section	lcc pk (kA)	11	14	24	32
	lcc rms (kA)	7	8	12	15
	In (A)	Distance (mm)			
15 x 5	150	561	455	258	150
20 x 5	250	647	526	266	150



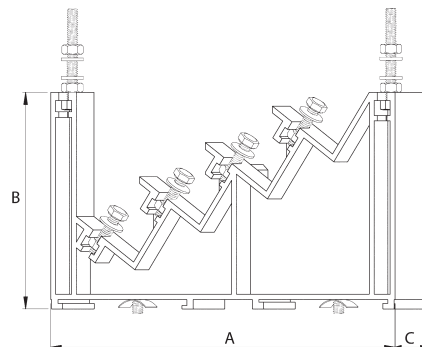
A	B	C	D	H	Ch
mm	mm	mm	mm	mm	mm
150	54	16	130	70	10

- Scope of delivery: 1 busbar holder, 2 spacers, fixing material

BPZ-BBS-4/630

- Rated current 150-630 A
- Mounting position: vertical, horizontal
- For busbars featuring threads M6, 15 x 5, 20 x 5, 32 x 5, 30 x 5 and 30 x 10 mm
- Material: PA66 reinforced with 35% glass fiber
- Flame resistance: self-extinguishing acc. to UL94/V-0
- Halogen free: Yes
- Compact construction
- Easy to mount onto a DIN-rail, onto a mounting plate or special prepared brackets
- Protective cover (not part of delivery) can be adjusted in height thanks to incl. plastic spacers
- Continuous operating temperature: +125°C
- Max. distance between the busbar supports in mm in case of one busbar per phase

Bar cross section	lcc pk (kA)	11	14	24	32	48
	lcc rms (kA)	7	8	12	15	23
	In (A)	Distance (mm)				
15x5	150	682	554	314	250	100
20x5	250	788	640	363	261	100
32x5	400	980	980	410	261	100
20x10	500	980	980	410	261	100
30x10	630	980	980	410	261	100



A	B	C
mm	mm	mm
216	117	34

- Scope of delivery: 1 busbar holder, fixing material

Mounting elements for 4-pole Busbar Support 250 A, BPZ-BR/BBS250/V-200

- For horizontal mounting of the 4-pole Busbar Support BPZ-BBS-4/250 onto mounting pillars of a 200 mm wide compartment.
Busbars are in vertical direction.
- Material: Sheet steel (2 mm), zinc-coated
- Scope of delivery: 2 Mounting elements, fixing material

Mounting elements for 4-pole Busbar Support 630 A, BPZ-BR/BBS630/V

- For horizontal mounting of the 4-pole Busbar Support BPZ-BBS-4/630/V onto mounting pillars of a 400 mm wide enclosure (or a 400 mm wide compartment). Busbars are in vertical direction.
- Material: Sheet steel (2 mm), zinc-coated
- Scope of delivery: 2 Mounting elements, fixing material

Mounting elements for DIN-Rail respectively DIN-Rail Kit, BPZ-BR/DINR/V-200

- For vertical mounting of the DIN-Rail onto mounting pillars of a 200 mm wide compartment
- Material: Sheet steel (1.5 mm), zinc-coated
- Scope of delivery: 2 Mounting elements, fixing material

Device rail Set, BPZ-DINR

- For mounting of installation devices

With adjustable mounting depth BPZ-DINR...T

- Scope of delivery: device rail, 2 adjustable towers, 2 BEL01 fastening elements, fixing material
- Delivered in packs with 10 sets only

With fixed mounting depth BPZ-DINR...B

- Scope of delivery: device rail, 2 fixed towers, fixing material
- Delivered in packs with 10 sets only
- Conductive connection is type tested



Towers for device rail, BPZ-T./2

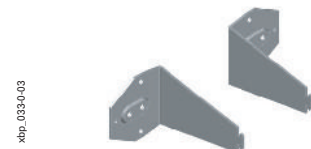
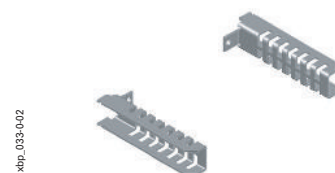
- For mounting of device rails (without BPZ-MSW)

With adjustable depth BPZ-TA/2

- Enables adjustable mounting depth of the DIN-Rail in steps of 12 mm
- Scope of delivery: 2 adjustable towers, fixing material

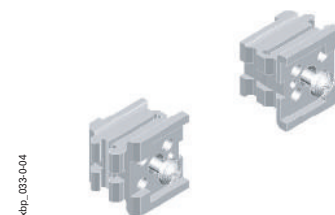
With fixed depth BPZ-TF/2

- Scope of delivery: 2 fixed towers, fixing material
- Conductive connection is type tested



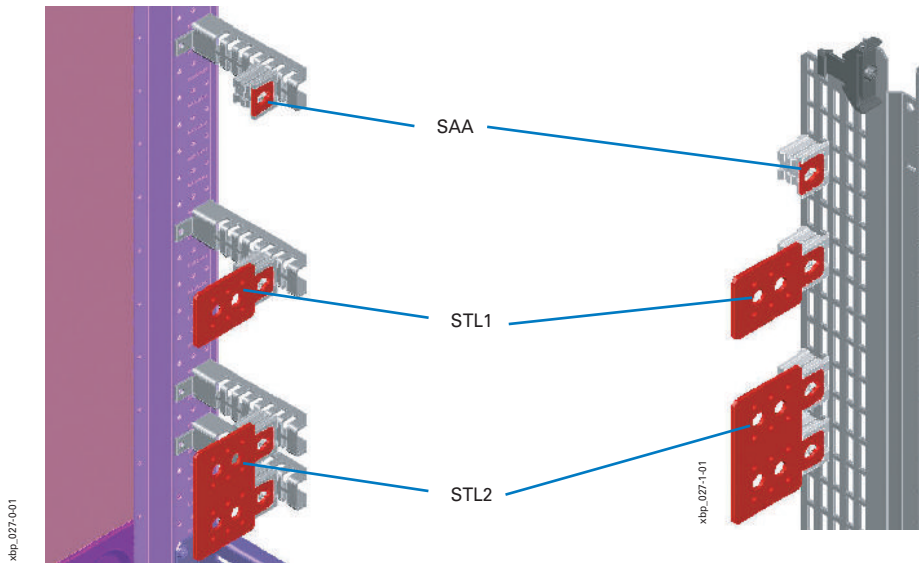
Fastening elements, BEL

- For mounting device rails onto adjustable towers BPZ-TA or onto mounting side walls BPZ-MSW
- White BEL12 - ungrounded fastening element
- Green BEL01 - grounded fastening element
- Unmounted BEL12A - ungrounded and unmounted fastening element
- Scope of delivery: 2 fastening elements



Adaptors, SAA, STL

- Adaptors SAA are intended to align the dip in BEL.
With the adaptors, it is possible to mount panels and other equipment which is not designed for BEL onto these fastening elements
- Holders STL can be used in the same way as SAA. These holders are enlarged by mounting extension.

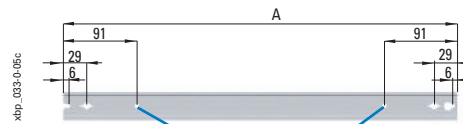
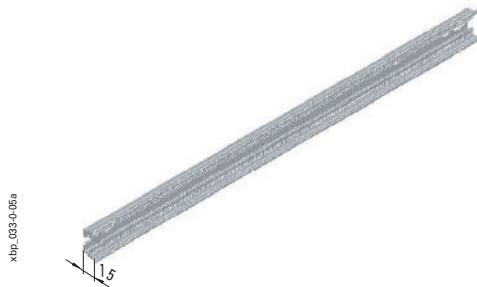
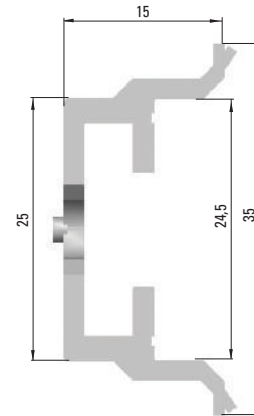


Device rails, BPZ-DINR

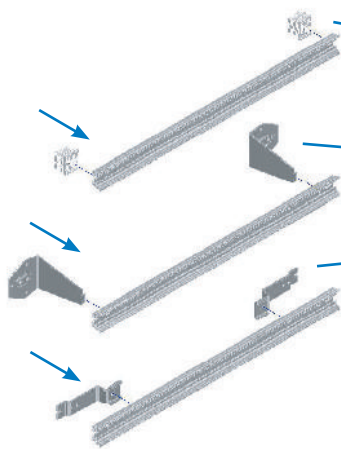
- For mounting of the Installation devices
- Material: Aluminium
- Scope of delivery: 1 device rail

Dimensions [mm]

Type	Outside dimensions		
	Height	Width A	Depth
BPZ-DINR13-400	35	288	15
BPZ-DINR24-600	35	488	15
BPZ-DINR35-800	35	688	15
BPZ-DINR46-1000	35	888	15
BPZ-DINR57-1200	35	1088	15



Holes for mounting of cable duct angles KKW

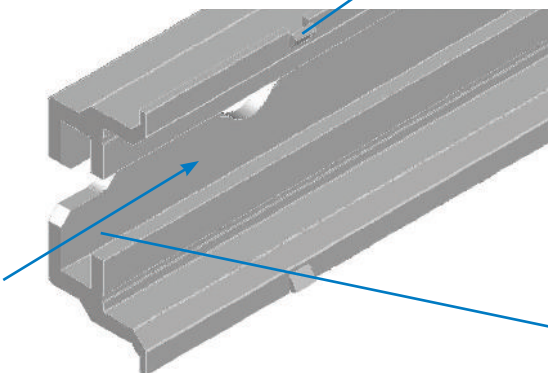


Fastening element BEL for mounting of rail onto tower BPZ-TA or side wall BPZ-MSW.

Tower BPZ-TF for mounting of the rail onto rear frame.

Angle KKW... for mounting of cable ducts (device rail has to be shortened according to width of the cable duct) – for details see applications of KKW angles

Detail of device rail profile

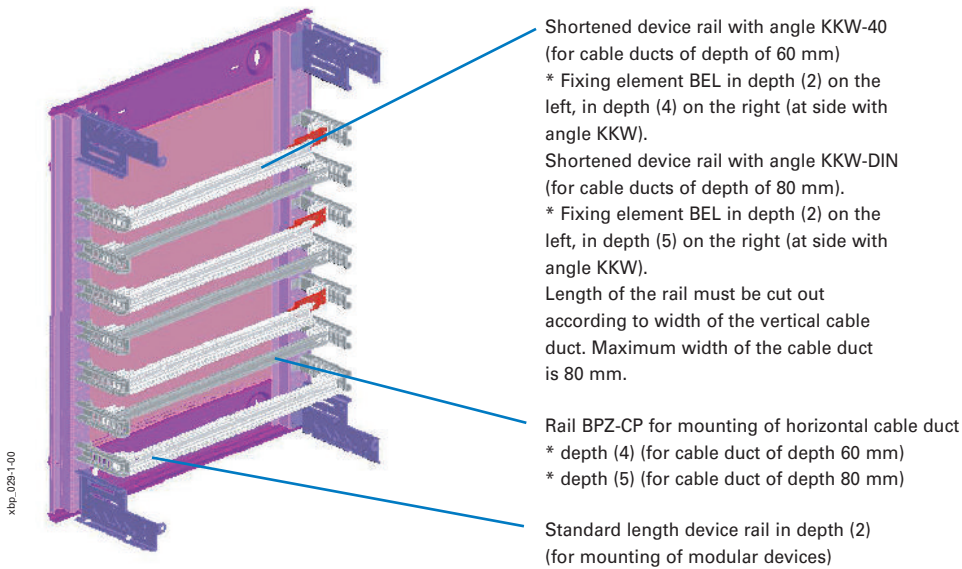
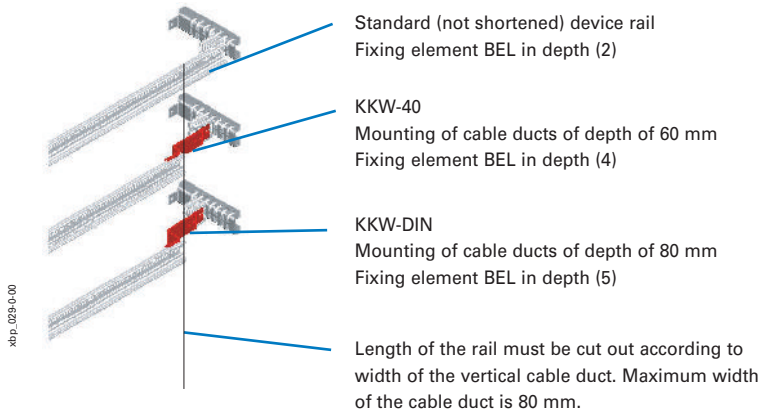


Stops defining active area of the rail which can be equipped with devices (with respect to cutout in the front plates BPZ-FP-...)

The groove can be used for inserting of slide nuts EGM-4, EGM-5, or for EGM-F (in combination with EGM-4, EGM-5)

Cable duct angles, KKW

- For mounting cable ducts featuring a depth of 60 mm (KKW-40) or 80 mm (KKW-DIN)
- Material: sheet steel, zinc-coated
- Scope of delivery: 1 cable duct angle

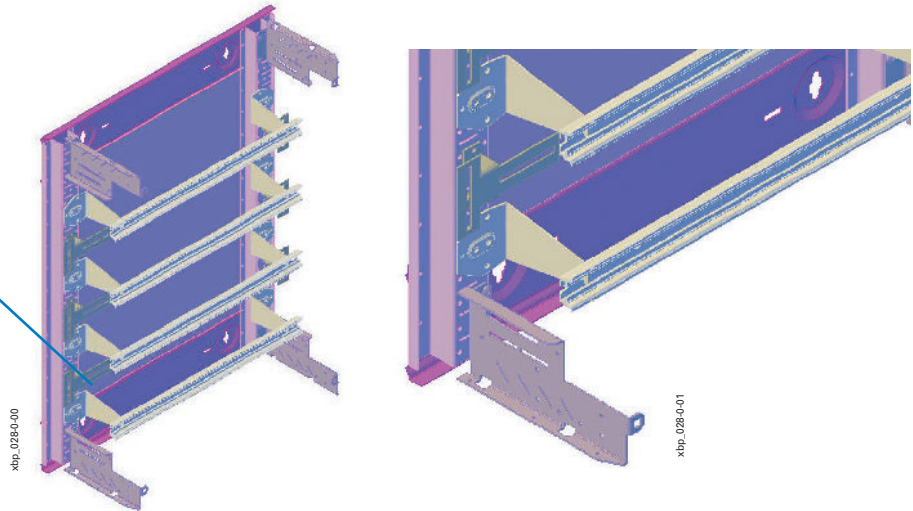


Fixing elements for cable duct, BPZ-CDB

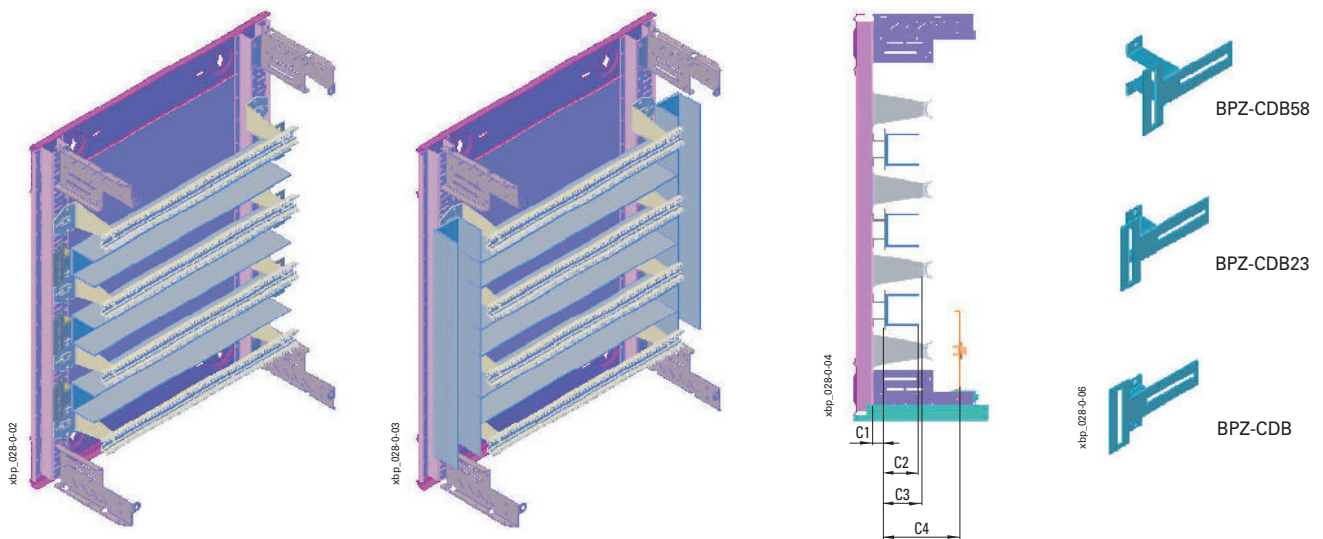
- For mounting cable ducts featuring a depth of 80 mm (BPZ-CDB), 60 mm (BPZ-CDB23) or 40 mm (BPZ-CDB58) for surface-mounted or floor-standing distribution boards
- For board width 400, 600 mm
- For larger widths fixing elements BPZ-CDB../CP are used
- Material: Sheet steel, zinc-coated
- Scope of delivery: 2 fixing elements, fixing material

Detail of mounting and applications

Cable duct fixing elements BPZ-CDB. Mounting onto rear frame (only for surface-mounted and floor-standing boards). A type is chosen according to height of the cable duct.



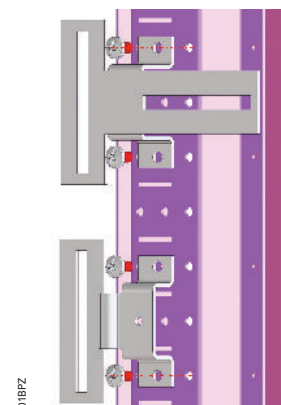
Fixing elements BPZ-CDB equipped with cable ducts (for board of width of 400, 600 mm)



Dimensions [mm]

Type	Fixing element height	Recommended height of the cable duct	Maximum height of the vertical cable duct	Maximum height of the horizontal cable duct
	C1	C2	C3	C4
BPZ-CDB	8	80	85	150
BPZ-CDB23	23	60	70	135
BPZ-CDB58	58	40	40	100

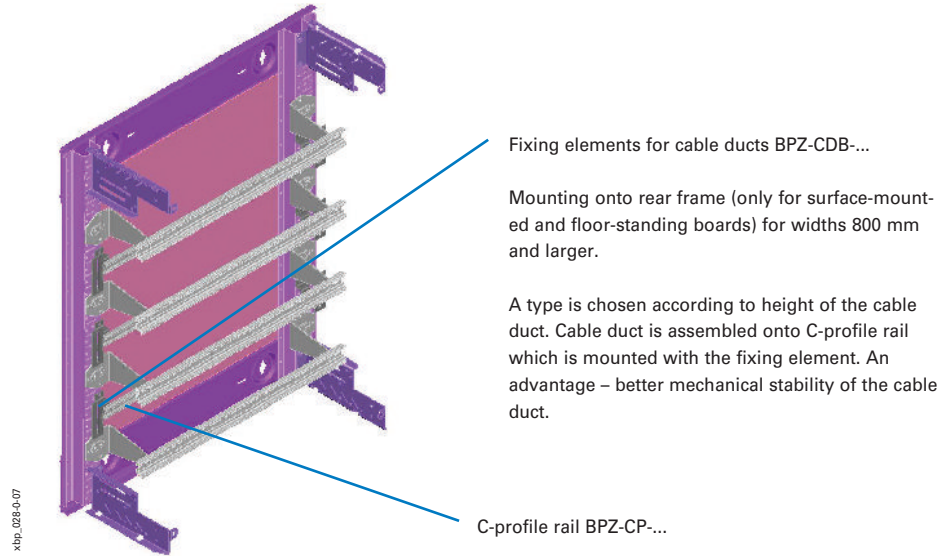
Detail of mounting



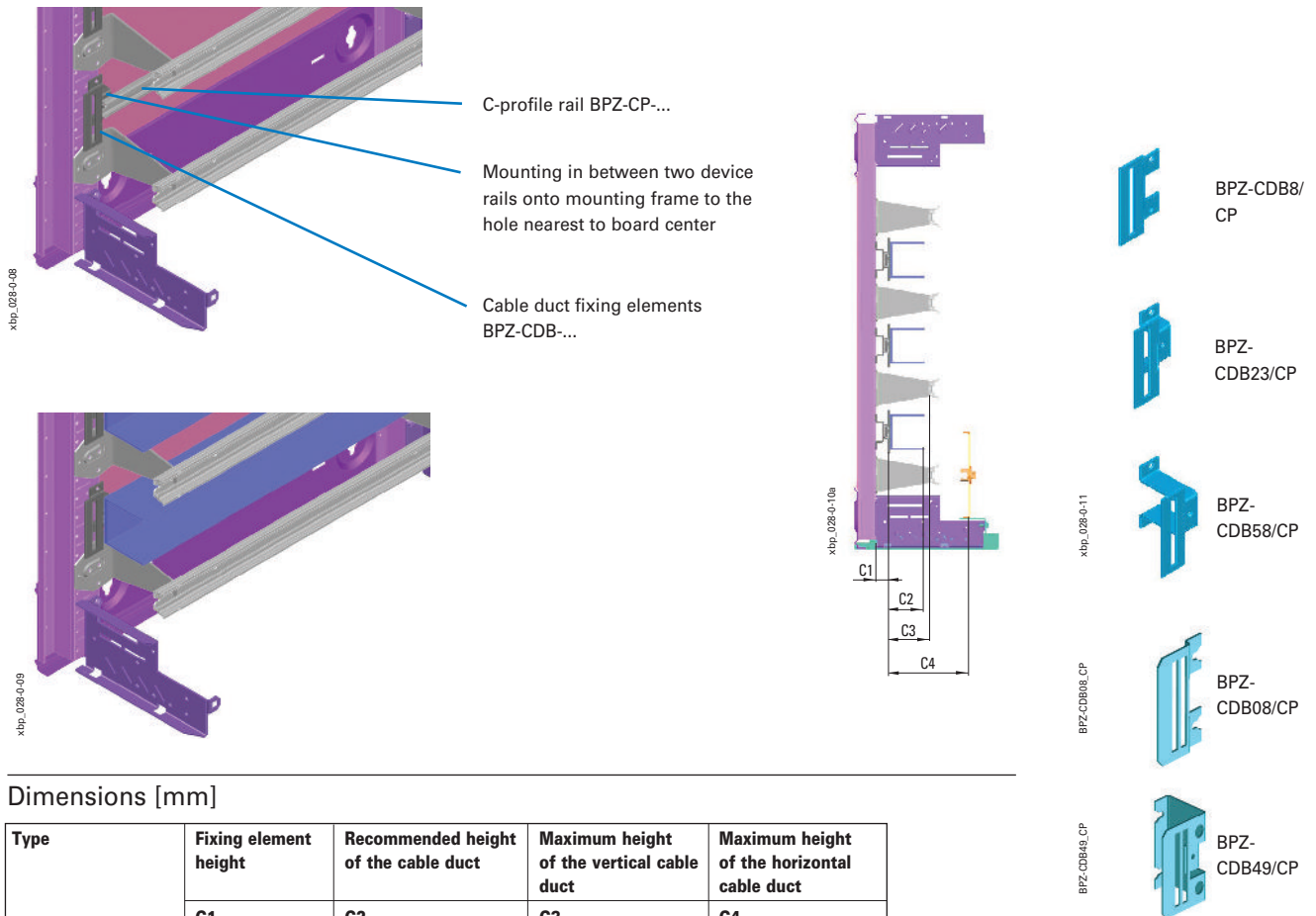
Fixing elements for cable duct, BPZ-CDB../CP

- For mounting cable ducts featuring a depth of 80 mm (BPZ-CDB8/CP respectively BPZ-CDB08/CP), 60 mm (BPZ-CDB23/CP) or 40 mm (BPZ-CDB49/CP respectively BPZ-CDB58/CP) for surface-mounted or floor-standing distribution boards
- For board with 600 to 1200 mm
- Fixing elements are supplemented with rails BPZ-CP
- Material: sheet steel, zinc-coated
- Scope of delivery: 2 fixing elements, fixing material

Detail of mounting and application



Fixing elements BPZ-CDB equipped with cable ducts (for board of width of 800 to 1200 mm)

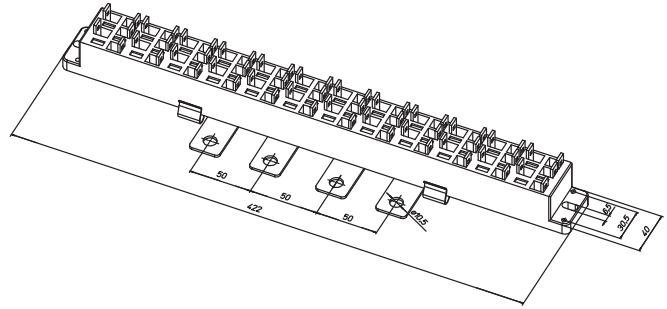


Dimensions [mm]

Type	Fixing element height	Recommended height of the cable duct	Maximum height of the vertical cable duct	Maximum height of the horizontal cable duct
	C1	C2	C3	C4
BPZ-CDB8/CP	7	80	85	150
BPZ-CDB08/CP	8	80	85	150
BPZ-CDB23/CP	24	60	70	135
BPZ-CDB49/CP	49	40	45	105
BPZ-CDB58/CP	54	40	40	100

4-Phase Busbar, BPZ-KB-24/250

- It is a 250 A busbar intended to supply a row of modular devices
- Max. current rating for every output is 63 A
- Outputs: 12 outputs per phase, neutral wiring 24 outputs
- Each connector automatically locks, which guarantees high security
- No risk of direct contact, according to IP20
- Dimensions (L x W x H): 427 x 40 x 50 mm
- Scope of delivery: 1 pc. 4-Phase busbar



Mounting Elements for 4-Phase Busbar, BPZ-BR/KB24

- For mounting a 4-phase busbar onto an NZM-mounting plate or onto mounting pillars in back
- Material: Sheet steel, zinc-coated
- Scope of delivery: 2 Mounting elements, fixing material

Flexible Connector for 4-Phase Busbar, BPZ-P

- For connecting a 4-phase busbar
- In 6 mm² or 10 mm²
- Length: 120 or 320 mm
- Scope of delivery: 1 Flexible connector

1-pole terminal block BPZ-KB

BPZ-KB

- For copper conductors
- Mounting onto device rail and/or mounting plate
- UL-listed
- Time-saving on wiring
- Saves 80 % on space used
- Modular construction allowing to build systems of 1 to 4 poles by using several blocks
- Scope of delivery: 1 1-pole terminal block

Technical data

	Rated current	Degree of protection	Inputs (mm ²)	Torque (Nm)	Outputs (mm ²)	Torque (Nm)	Connection	Dimensions L x W x H (mm)
BPZ-KB-4/80	80 A	IP20	1x 2.5-16	1.5-3	4x 2.5-6 2x 2.5-16	0.8-1.5 1.5-3	–	66 x 27 x 47
BPZ-KB-6/125	125 A	IP20	1x 10-35 1x 6-16	3.5-5 3.5-5	6x 2.5-16	2-3	–	92 x 35 x 49
BPZ-KB-2/8/125	125 A	IP10	2x 10-35 (solid wire) 2x 6-25 (fine wire)	8 8	2x 2.5-25 (solid wire) 6x 1.5-16 (solid wire) 2x 1.5-16 (fine wire) 6x 1.5-10 (fine wire)	2 2 2 2	–	91 x 27 x 51.2
BPZ-KB-6/160	160 A	IP20	1x 10-70	5-6	6x 2.5-16	1.5-3	lateral parallel connection possible with Cu 15 x 5	74 x 27 x 47
BPZ-KB-2/11/160	160 A	IP10	2x 25-70 (solid wire) 2x 16-50 (fine wire)	9 9	3x 2.5-25 (solid wire) 8x 1.5-16 (solid wire) 3x 1.5-16 (fine wire) 8x 1.5-10 (fine wire)	2 2 2 2	–	91 x 36 x 51.2
BPZ-KB-10/175	175 A	IP20	1x 16-70	6-10	10x 2.5-16	3-4	–	71 x 45 x 42.5
BPZ-KB-11/250	250 A	IP20	1x 35-120	19-21	2x 6-35 5x 1.5-16 4x 1.5-10	3.5-7 2-3 2-3	–	95.5 x 44.5 x 49
BPZ-KB-2/400	400 A	IP20	1x 95-240 (solid wire) 1x 70-185 (fine wire)	25 25	2x 50-120 (solid wire) 2x 35-95 (fine wire)	19 19	–	103 x 44.4 x 50.2
BPZ-KB-6/400	400 A	IP20	1x 95-240 (solid wire) 1x 70-185 (fine wire)	25 25	6x 10-50 (solid wire) 6x 6-35 (fine wire)	3.5-7 3.5-7	–	103 x 44.4 x 50.2
BPZ-KB-11/400	400 A	IP20	1x 95-185	25	2x 6-35 5x 1.5-16 4x 1.5-10	3.5-7 2-3 2-3	–	95.5 x 44.5 x 49

BPZ-KB-...-ALU

- For copper as well as aluminium conductors
- Mounting onto device rail and/or mounting plate
- UL-listed
- Time-saving on wiring
- Saves 80 % on space used
- Modular construction allowing to build systems of 1 to 4 poles by using several blocks
- Scope of delivery: 1 1-pole terminal block

Technical data

	Rated current	Degree of protection	Inputs (mm ²)	Torque (Nm)	Outputs (mm ²)	Torque (Nm)	Connection	Dimensions L x W x H (mm)
BPZ-KB-6/80-ALU	80 A / 63 A	IP20	1x 2.5-16	1.5-3	4x 2.5-6 2x 2.5-16	0.8-1.5 1.5-3	–	66 x 27 x 47
BPZ-KB-6/125-ALU	125 A / 100 A	IP20	1x 10-35 1x 6-16	3.5-5 3.5-5	6x 2.5-16	2-3	lateral parallel connection possible with Cu 15 x 5	74 x 27 x 47
BPZ-KB-6/160-ALU	160 A / 125 A	IP20	1x 10-70 1x 6-16	5-6 3.5-5	6x 2.5-16	1.5-3	lateral parallel connection possible with Cu 15 x 5	92 x 35 x 49
BPZ-KB-1/175-ALU	175 A / 125 A	IP20	1x 16-70	6-11.4	1x 16-70	6-11.4	–	72 x 25 x 50
BPZ-KB-10/175-ALU	175 A / 125 A	IP20	1x 16-70	6-10	10x 2.5-16	3-4	–	71 x 45 x 42.5
BPZ-KB-11/250-ALU	250 A / 200 A	IP20	1x 35-120	19-21	2x 2.5-35 5x 2.5-16 4x 2.5-10	3.5-7 2-3 2-3	–	95.5 x 44.5 x 49
BPZ-KB-1/400-ALU	400 A / 300 A	IP20	1x 35-240	20	1x 35-240	20	–	145 x 40 x 80
BPZ-KB-2/400-ALU	400 A / 350 A	IP20	1x 95-240 (solid wire) 1x 70-185 (fine wire)	25 25	2x 50-120 (solid wire) 2x 35-95 (fine wire)	19 19	–	103 x 44.4 x 50.2
BPZ-KB-6/400-ALU	400 A / 350 A	IP20	1x 95-240 (solid wire) 1x 70-185 (fine wire)	25 25	6x 10-50 (solid wire) 6x 6-35 (fine wire)	3.5-7 3.5-7	–	103 x 44.4 x 50.2
BPZ-KB-11/400-ALU	400 A / 300 A	IP20	1x 95-185	25	2x 2.5-35 5x 2.5-16 4x 2.5-10	3.5-7 2-3 2-3	–	95.5 x 44.5 x 49
BPZ-KB-1/2/800-ALU	800 A / 630 A	IP20	1x 35-300	25-35	2x 35-300	25-35	–	145 x 72 x 80
BPZ-KB-2/2/800-ALU	800 A / 630 A	IP20	2x 35-300	25-35	2x 35-300	25-35	–	145 x 72 x 80
BPZ-KB-2/1100-ALU	1100 A / 900 A	IP10	1x 95-500 (solid wire) 1x 95-500 (fine wire)	80 80	2x 50-300 (solid wire) 2x 50-240 (fine wire)	50 50	–	202 x 89.6 x 107

Connection latch for 1-pole terminal block BPZ-CL

- BPZ-CL-65/25 suitable for BPZ-KB-11/250
- BPZ-CL-70/35 suitable for BPZ-KB-11/400
- Dimensions (L x W x H)
 - BPZ-CL-65/25: 7 x 65 x 25 mm
 - BPZ-CL-70/35: 9 x 70 x 30 mm
- Scope of delivery: 1 connection latch

Connection bar 27 mm for 1-pole terminal blocks BPZ-CB

- Suitable for BPZ-KB-6/125
- Dimensions (L x W x H): 16 x 44 x 14 mm
- Scope of delivery: 1 connection bar

3-pole Terminal Block

BPZ-KB-6/175

- Mounting onto DIN-rail and mounting plate
- UL-listed
- Time-saving on wiring
- Saves 80% of space used
- Modular construction allowing to build systems of 1 to 4 poles by using several blocks
- Protection class: IP20
- Max. operating voltage 1000V AC, 1500V DC
- Scope of delivery: 1 3-Pole terminal block

Technical Data

	BPZ-KB-6/175	
	torque (Nm)	
Rated current	175 A	
Input (mm ²)	1 x 16-70	6-10
Outputs (mm ²)	6 x 2.5-16	3-4
Connection	-	
Dimensions L x W x H (mm)	80 x 71.5 x 42.5	

BPZ-KB-6/175-ALU

- Aluminium design
- Mounting onto DIN-rail and mounting plate
- UL-listed
- Time-saving on wiring
- Saves 80% of space used
- Modular construction allowing to build systems of 1 to 4 poles by using several blocks
- Protection class: IP20
- Max. operating voltage 1000V AC, 1500V DC
- Scope of delivery: 1 3-Pole terminal block

Technical Data

	BPZ-KB-6/175-ALU	
	torque (Nm)	
Rated current (Cu / Al)	175 A / 125 A	
Input (mm ²)	1 x 16-70	6-10
Outputs (mm ²)	6 x 2.5-16	3-4
Connection	-	
Dimensions L x W x H (mm)	80 x 71.5 x 42.5	

4-pole Terminal Blocks, BPZ-KB

- Mounting onto DIN-rail and mounting plate
- Max. operating voltage
BPZ-KB-9/125: 690V AC/DC
BPZ-KB-13/125: 690V AC/DC
BPZ-KB-8/125: 1000C AC/1500V DC
BPZ-KB-11/160: 1000C AC/1500V DC
- Scope of delivery: 1 4-Pole terminal block

Technical Data

	BPZ-KB-8/125		BPZ-KB-9/125		BPZ-KB-13/125		BPZ-KB-11/160	
		torque (Nm)		torque (Nm)		torque (Nm)		torque (Nm)
Rated current	125 A		125 A		125 A		160 A	
Inputs per pole (mm ²)	1 x 6-35	1,5	2 x 6-35	1,5	2 x 6-35	1,5	1 x 10-35	3,5-5
Outputs per pole (mm ²)	3-poles x (5 x 1,5-6 / 2 x 4-16)	0,8-1,5	7 x 2,5-10	1,5	9 x 1,5-10	1,5	3 x 6-35	3,5-5
	1-pole x (4 x 1,5-10 / 6 x 4-16)	1,5			2 x 1,5-10	1,5	3 x 6-25	3,5-5
Dimensions L x W x H (mm)	74,5 x 98 x 49		102 x 89 x 48		103 x 126 x 48		87 x 162 x 50	

Lifting-Eye Bolt, BPZ-LE

- For transporting the distribution board by crane, high-lift truck, etc.
- To be mounted onto the top of the floor-standing distribution board
- Max. static tensile force: 1400 N each, total 3800 N
- Weight: approx. 0.2 kg
- Scope of delivery: 4 Lifting-eye bolts

Flask with Brush Applicator, BPZ-CPS, PAINT-RAL

- For sanding scratches in RAL 7035, 9010 or 9016
- Scope of delivery: 1 Flask with brush applicator

Door grounding set, BFZ-DES

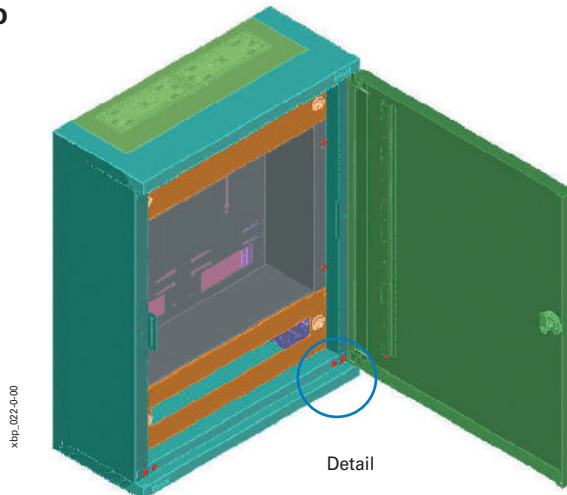
- In scope of delivery of all Profi Plus doors
- For grounding the door
- Length: 300 mm
- Cross section: 6 mm²
- Scope of delivery: 1 grounding wire with pre-fitted eyelets, fixing material

Door grounding

- For earthing, the threaded pin on the door and pressed nut in the frame are used. The grounding is done by connection of these points via BFZ-DES

Surface mounted boards

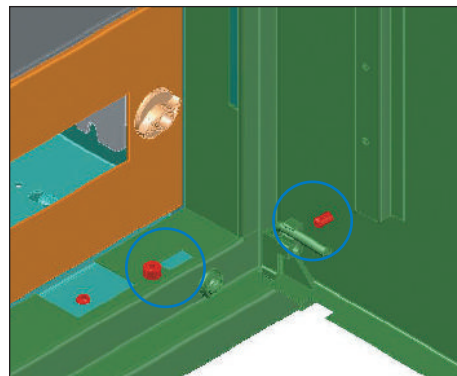
BP-O



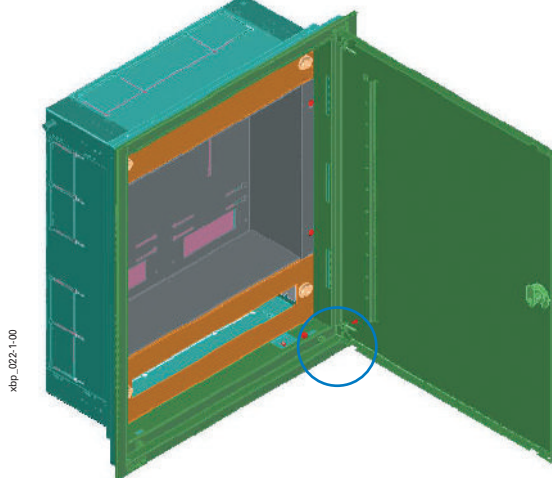
Conductive connection of Profi Plus boards

- Side panels and top / bottom panels are connected with the base frame via self-earthing screws (in scope of delivery)
- Front plates of all designs are connected by means of self-earthing fasteners. Conductive connection of the front plates with frame is type tested
- Device rails are connected with side panels BPZ-MSW or towers via fastening elements BEL
- Meter throughs are connected with the base frame via self-earthing screws

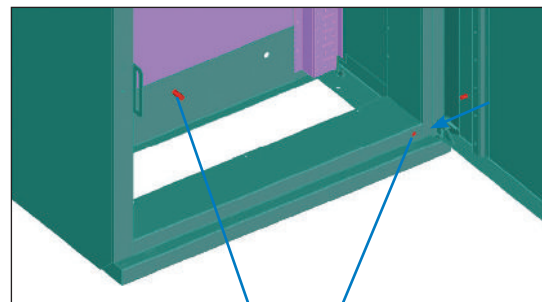
Detail



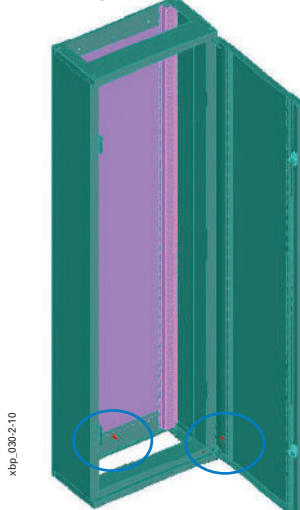
Flush mounted boards BP-U



Detail



Floor-standing boards BP-F



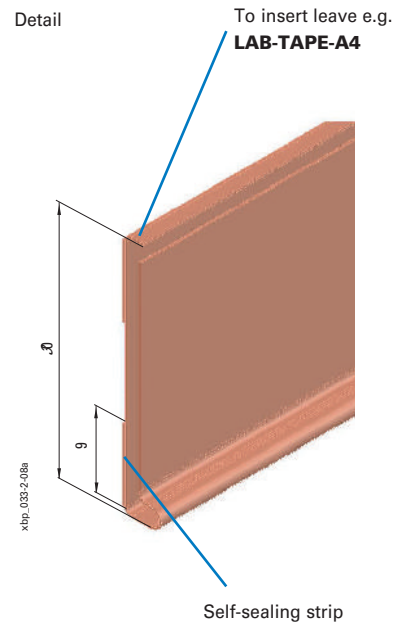
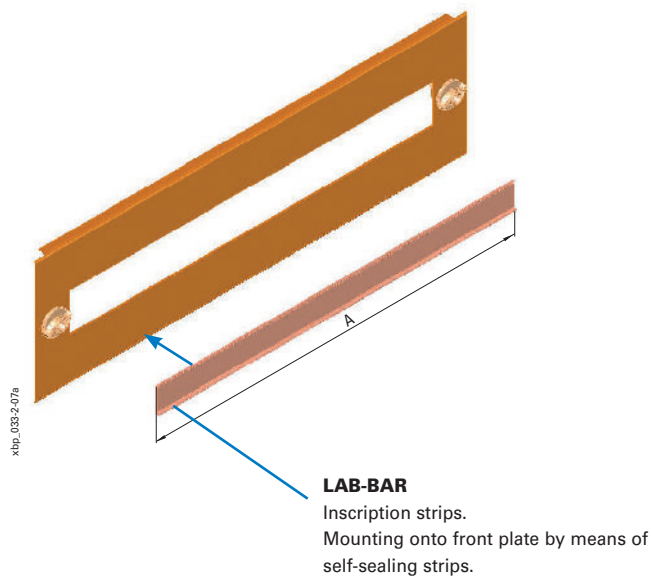
Connection of earthing set for door.
Nut in the board frame and earthing screw on the door

Central earthing screw in rear side of a board

Inscription strips, LAB-BAR

Dimensions [mm]

Type	Number of modules MU	Length A
LAB-BAR_13TE	13	228
LAB-BAR_24TE	24	420
LAB-BAR_46TE	46	805
LAB-BAR_57TE	57	998
LAB-BAR_1000	-	1000
LAB-BAR_3000	-	3000



Enclosure leaves LAB-TAPE_A4 for the inscription strips LAB-BAR

Technical data

Empty:

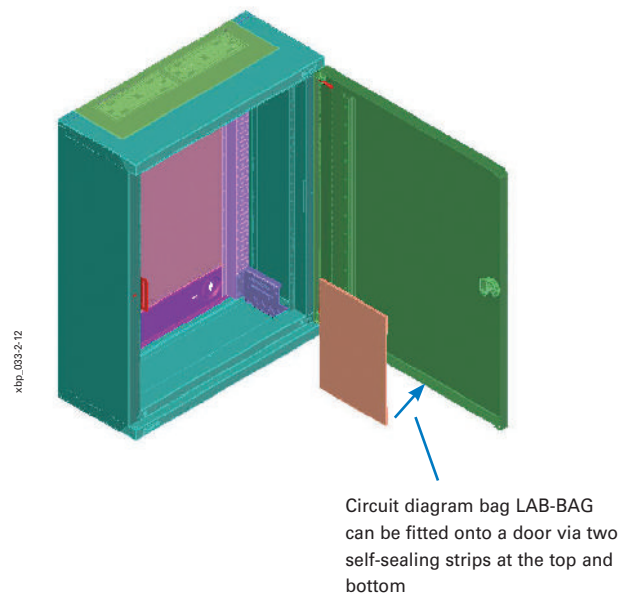
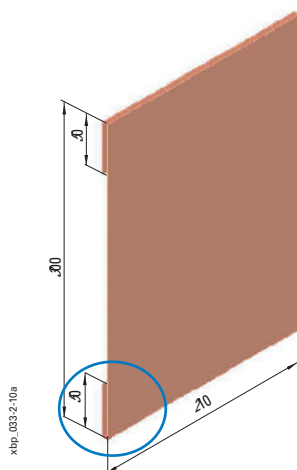
1 sheet contains 8 strips of width 27 mm and length 297 mm.
Perforated for easy-to-remove.

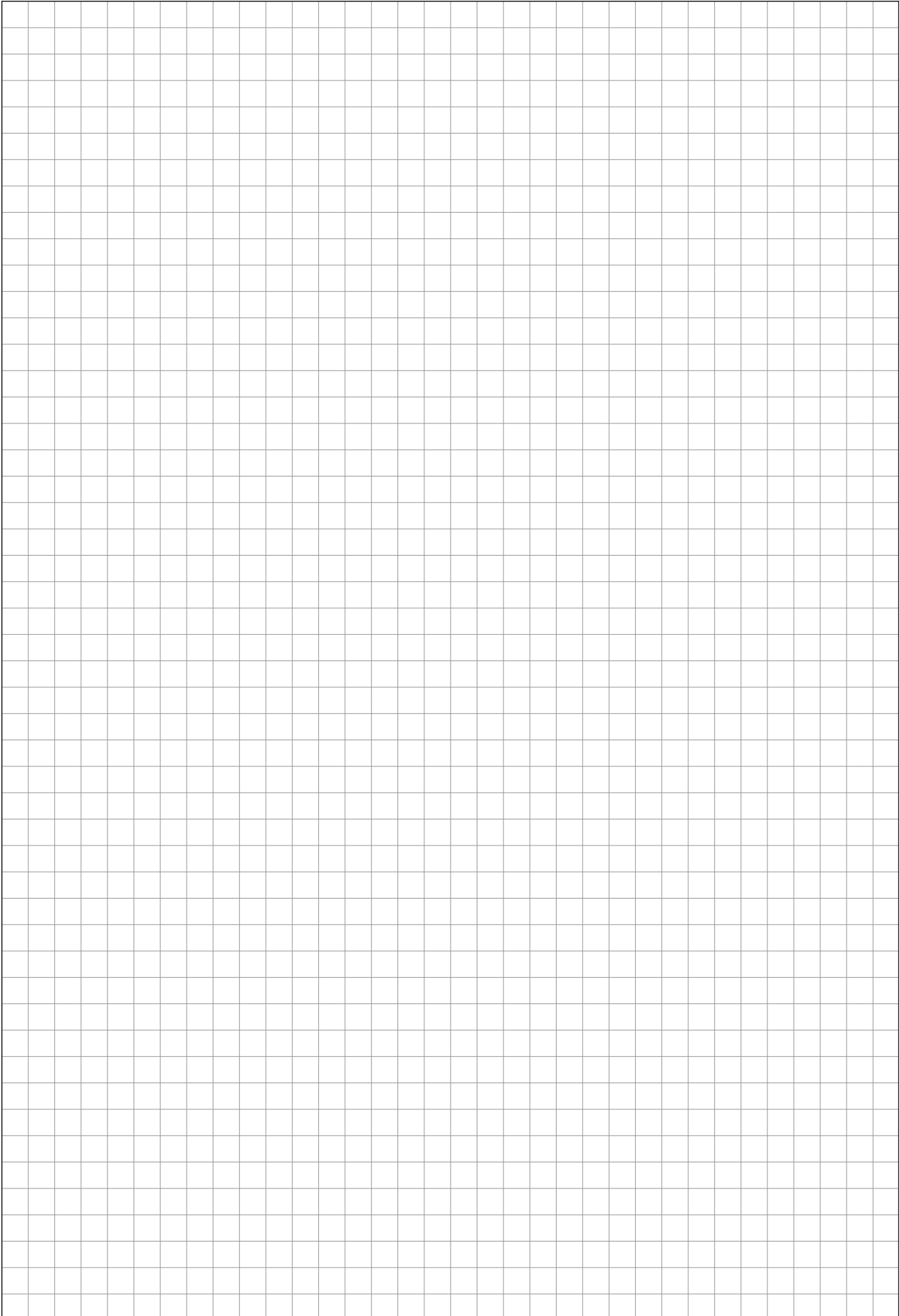
Imprinted:

For device width	Numerical print
1,5MU	1-30
2MU	1-24
3MU	1-5
4MU	1-4

Circuit diagram bag, LAB-BAG_A4

Dimensions [mm]





Component overview for typical composition of Profi+

Flush mounted board

- Wall box BPZ-WB3S-... Can be supplemented with rear panel BPZ-RP-...
- Door frame with door BP-U-S3-... for IP30, or BPM-U-3S-... for IP54
- Mounting side walls BPZ-MSW-...
- Auxiliary pawls BPZ-SNAP
- Device rails BPZ-DINR-... For build-up of the mounting frame with BPZ-MSW or BPZ-MPL. It is necessary to use at least 2 pcs. DIN-rails with BPZ-MSW.
- Fastening elements BEL for fixing of device rails. Each rail has to be fixed with at least one green element BEL1 to ensure conductive connection.
- Front plates BPZ-FP-...
- Other components and accessories according to particular configuration of given board (device rails BPZ-DINR-..., mounting plates BPZ-MPL-..., terminals (KLV-)KL-..., etc.).

Surface mounted board IP30, version with mounting frame BPZ-MSW

- Base frame BP-MF-...
- Top / bottom panel BP-TBP-...
- If panels BP-TBP-...-CE are used, it is necessary to supplement them with cable plates BP-FLP-...
- Side walls BPZ-SP-MSW-...
- Door BP-DS-... For widths 1000 or 1200 mm there are two-wing door, both the wings are ordered separately
- Mounting sidewalls BPZ-MSW-...
- Device rails BPZ-DINR-... For build-up of the mounting frame with BPZ-MSW or BPZ-MPL. It is necessary to use at least 2 pcs. DIN-rails with BPZ-MSW.
- Fastening elements BEL for fixing of device rails. Each rail has to be fixed with at least one green element BEL1 to ensure conductive connection
- Front plates BPZ-FP-...
- Terminal support bar BPZ-TSB-...
- Other components and accessories according to particular configuration of given board (device rails BPZ-DINR-..., mounting plates BPZ-MPL-..., terminals (KLV-)KL-..., etc.).

Surface mounted board IP30, version without mounting frame BPZ-MSW

- Base frame BP-MF-...
- Top / bottom panel BP-TBP-...
- If panels BP-TBP-...-CE are used, it is necessary to supplement them with cable plates BP-FLP-...
- Side walls BP-SP-...
- Door BP-DS-... For widths 1000 or 1200 mm there are two-wing door, both the wings are ordered separately
- Front plates BPZ-FP-...
- Terminal support bar BPZ-TSB-...
- Other components and accessories according to particular configuration of given board (device rails BPZ-DINR-..., mounting plates BPZ-MPL-..., terminals (KLV-)KL-..., etc.).

Surface mounted board IP54, version with mounting frame BPZ-MSW

- Board BPM-O-...
- F3A flanges
- Corner tower set BPZ-CTS-L (2 pairs)
- Mounting side walls BPZ-MSW-...
- Device rails BPZ-DINR-... For build-up of the mounting frame with BPZ-MSW or BPZ-MPL. It is necessary to use at least 2 pcs. DIN-rails with BPZ-MSW.
- Fastening elements BEL for fixing of device rails. Each rail has to be fixed with at least one green element BEL1 to ensure conductive connection
- Front plates BPZ-FP-...
- Terminal support bar BPZ-TSB-...
- Other components and accessories according to particular configuration of given board (device rails BPZ-DINR-..., mounting plates BPZ-MPL-..., terminals (KLV-)KL-..., etc.).

Surface mounted board IP54, version without mounting frame BPZ-MSW

- Board BPM-O-...
- F3A flanges
- Front plate support BPZ-FPS-...
- Front plates BPZ-FP-...
- Terminal support bar BPZ-TSB-...
- Corner tower set BPZ-CTS-L for fixing of BPZ-TSB (1 pair)
- Other components and accessories according to particular configuration of given board (device rails BPZ-DINR-..., mounting plates BPZ-MPL-..., terminals (KLV-)KL-..., etc.).

Floor-standing boards

- Board BP-F-... for IP30
- Board BPM-F-... for IP54
- Other configuration is similar to surface mounted board IP54. Floor-standing boards can be supplemented with base BPZ-SS-..., BPZ-FS-...

Protective Devices

Protective Devices



Compact circuit breakers, with diagnosis included



Circuit-Breakers up to 1600A



Sasy 60i Modular busbar system



PIFT Plug In Fuse Terminal



Residual Current Devices (RCDs)



Miniature Circuit Breakers (MCBs)



Surge Protection



Other Accessories

Protecting, Controlling and Switching



Motor and system protective circuit breaker



Motor-protective circuit breaker



Contactors



Signalling Devices



Control-Relay Easy

Benefits:

- The entire distribution board solution is technically inter-coordinated
- The ideal solution for any application, both in the private and industrial sector
- Expansions and adjustments at a later point in time are always possible
- Perfect image at the end-customer's thanks to a single-source solution

Eaton is a power management company with 2016 sales of \$19.7 billion. Eaton provides energy-efficient solutions that help our customers effectively manage electrical, hydraulic and mechanical power more efficiently, safely and sustainably.

Eaton has approximately 95,000 employees and sells products to customers in more than 175 countries.

For more information, visit www.eaton.nl/electrical



To contact an Eaton salesperson or local distributor/agent, please visit www.eaton.eu/electrical/customersupport

Eaton Industries Belgium bvba - sprl
Industrialaan 1
1702 Groot-Bijgaarden

Tel.: +32 (0)2 719 88 00
Fax: +32 (0)2 719 88 01
electricalbelux@eaton.com
www.eaton.be

Eaton Industries (Netherlands) B.V.
Ambacht 6
5301 KW Zaltbommel
Postbus 2022
5300 CA Zaltbommel

Tel.: +31 (0)418 57 02 00
Fax: +31 (0)418 51 52 84
electricalnl@eaton.com
www.eaton.nl/electrical

© 2017 Eaton Corporation
All rights reserved

No responsibility is taken for misprints or errata.

Publication
August 2017