

# Sure-Lites

## DESCRIPTION

The APWR LED remote series is a UL924 code compliant solution for emergency lighting. It operates on 3.6 volts and can be powered from the APXH exit or APCH combo series. It is wet location listed and can be used indoors or outdoors. The two head versions will create 17 feet of emergency egress coverage. Housings color options are white or black.

<b>Catalog #</b>		<b>Type</b>
<b>Project</b>		
<b>Comments</b>		<b>Date</b>
<b>Prepared by</b>		

## SPECIFICATION FEATURES

### Electrical

- 3.6V DC Input Voltage

### Lampholder/Mounting Plate Construction

- Flame resistant and impact resistant, injection molded thermoplastic
- Lamp heads adjust 80° from vertical with 358° rotation
- Universal mounting plate
- Available in white or black

### Code Compliance

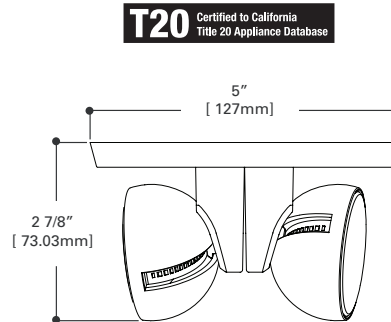
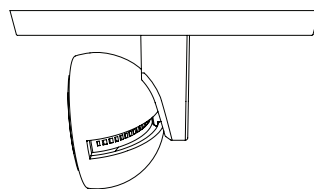
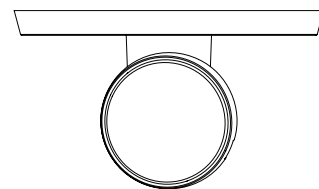
- UL 924 Listed
- Wet Location Listed (APWR)
- 0 °C to 40 °C (32 °F to 104 °F) temperature rating
- California Energy Code compliant

### Head/Lamp Data

- Long Life LED Emergency Heads
- Fully adjustable
- High impact thermoplastic
- Matches housing finish
- 3.6V, .78W DC Long Lasting LED Heads

### Warranty

- Five-year warranty

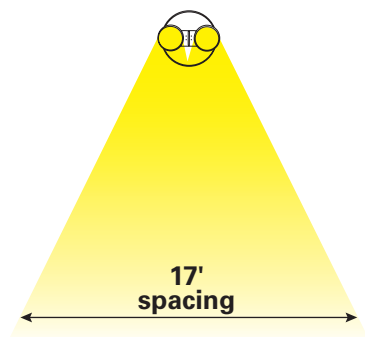


## ORDERING INFORMATION

SAMPLE NUMBER: APWR2BK

Series	Remote Heads	Housing Color	Catalog numbers
APWR	1 = one LED head 2 = two LED heads	_ = White BK = Black	APWR1, APWR2, APWR1BK, APWR2BK

## APWR SPACING



## APWR SERIES

REMOTE HEADS  
LED EMERGENCY HEADS  
WET LOCATION LISTED



## ENERGY DATA

Power Consumption is equal to LED head wattage.

# Sure-Lites

## DESCRIPTION

The APWR LED remote series is a UL924 code compliant solution for emergency lighting. It operates on 3.6 volts and can be powered from the APXH exit or APCH combo series. It is wet location listed and can be used indoors or outdoors. The two head versions will create 17 feet of emergency egress coverage. Housings color options are white or black.

<b>Catalog #</b>		<b>Type</b>
<b>Project</b>		
<b>Comments</b>		<b>Date</b>
<b>Prepared by</b>		

## SPECIFICATION FEATURES

### Electrical

- 3.6V DC Input Voltage

### Lampholder/Mounting Plate Construction

- Flame resistant and impact resistant, injection molded thermoplastic
- Lamp heads adjust 80° from vertical with 358° rotation
- Universal mounting plate
- Available in white or black

### Code Compliance

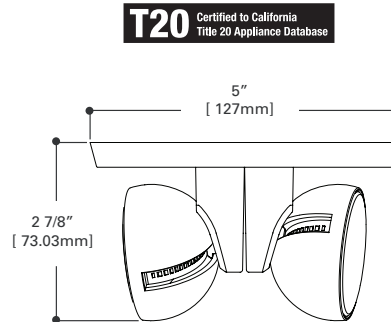
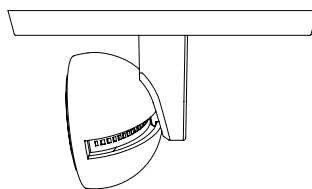
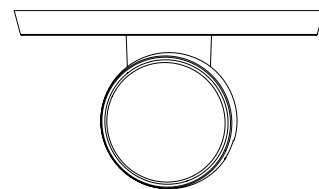
- UL 924 Listed
- Wet Location Listed (APWR)
- 0 °C to 40 °C (32 °F to 104 °F) temperature rating
- California Energy Code compliant

### Head/Lamp Data

- Long Life LED Emergency Heads
- Fully adjustable
- High impact thermoplastic
- Matches housing finish
- 3.6V, .78W DC Long Lasting LED Heads

### Warranty

- Five-year warranty

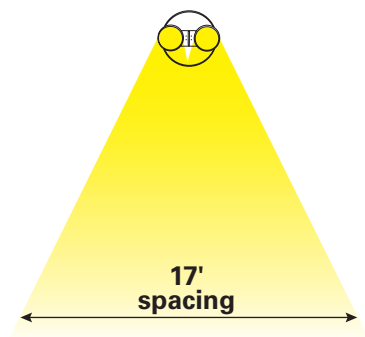


## ORDERING INFORMATION

SAMPLE NUMBER: APWR2BK

Series	Remote Heads	Housing Color	Catalog numbers
APWR	1 = one LED head 2 = two LED heads	_ = White BK = Black	APWR1, APWR2, APWR1BK, APWR2BK

## APWR SPACING



## APWR SERIES

REMOTE HEADS  
LED EMERGENCY HEADS  
WET LOCATION LISTED



### ENERGY DATA

Power Consumption is equal to LED head wattage.