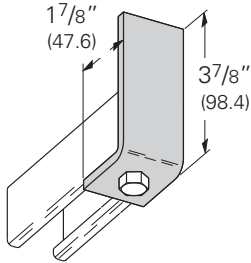


# 90° Angle Fittings

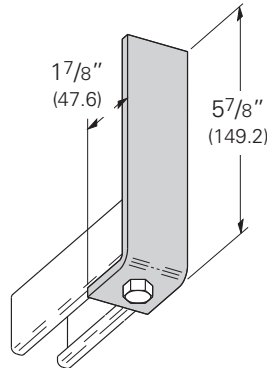
## B420-378 One Hole Corner Angle

- Standard finishes: ZN, GRN
- Wt./C 60 Lbs. (27.2 kg)



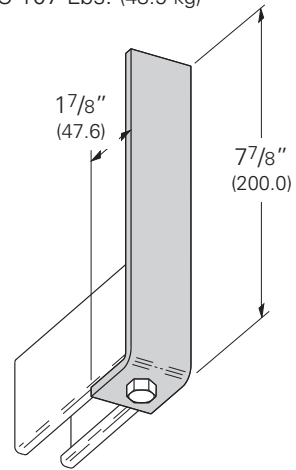
## B420-578 One Hole Corner Angle

- Standard finishes: ZN, GRN
- Wt./C 85 Lbs. (38.5 kg)



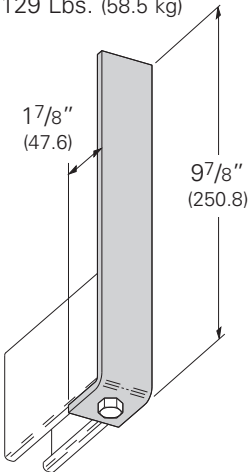
## B420-778 One Hole Corner Angle

- Standard finishes: ZN, GRN
- Wt./C 107 Lbs. (48.5 kg)



## B420-978 One Hole Corner Angle

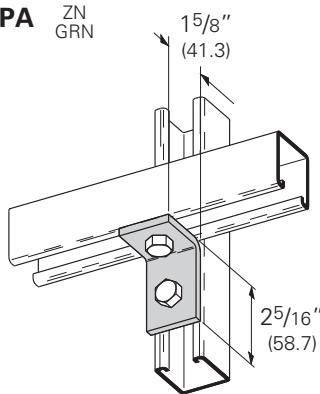
- Standard finishes: ZN, GRN
- Wt./C 129 Lbs. (58.5 kg)



## B101 Two Hole Corner Angle

- Standard finishes: ZN, GRN, HDG, SS4, AL
- Wt./C 37 Lbs. (16.8 kg)

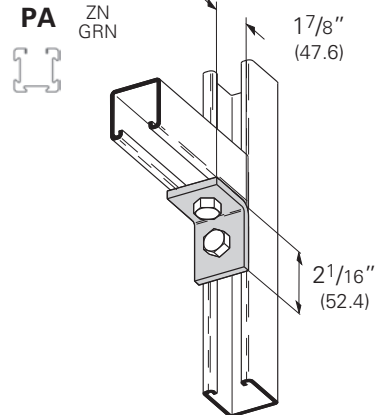
PA ZN GRN



## B230 Two Hole Corner Angle

- Standard finishes: ZN, GRN, HDG, SS4, AL
- Wt./C 37 Lbs. (16.8 kg)

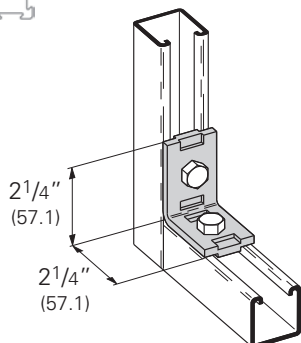
PA ZN GRN



## B231 Two Hole "No-Twist" Corner Angle

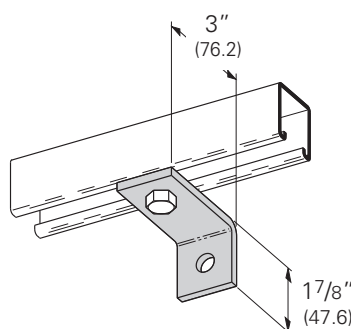
- Standard finishes: ZN, GRN, HDG
- Wt./C 41 Lbs. (18.6 kg)

PA ZN GRN



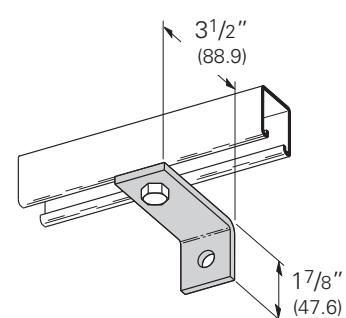
## B359 Two Hole Corner Angle

- Standard finishes: ZN, GRN
- Wt./C 48 Lbs. (21.8 kg)



## B360 Two Hole Corner Angle

- Standard finishes: ZN, GRN
- Wt./C 53 Lbs. (24.0 kg)



PA Pre-assembled fitting



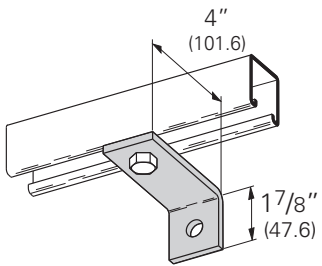
4Dimension compatible fitting

Reference page 73 for general fitting and standard finish specifications.

# 90° Angle Fittings

**B361**  
**Two Hole Corner Angle**

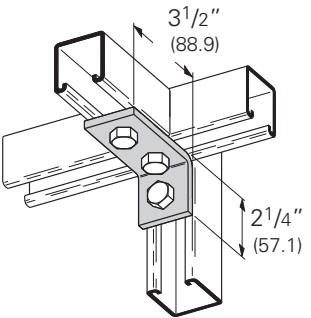
- Standard finishes: ZN, GRN
- Wt./C 60 Lbs. (27.2 kg)



**B102**  
**Three Hole Corner Angle**

- Standard finishes: ZN, GRN, HDG, SS4
- Wt./C 56 Lbs. (25.4 kg)

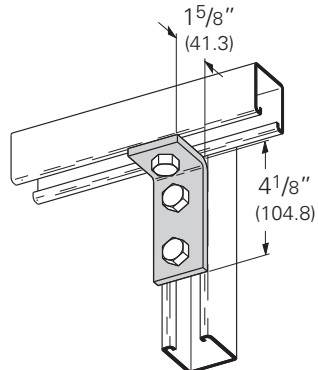
PA ZN GRN



**B103**  
**Three Hole Corner Angle**

- Standard finishes: ZN, GRN, HDG, SS4
- Wt./C 56 Lbs. (25.4 kg)

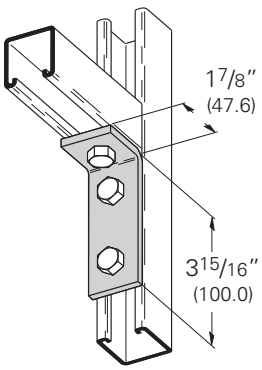
PA ZN GRN



**B232**  
**Three Hole Corner Angle**

- Standard finishes: ZN, GRN, HDG, SS4
- Wt./C 56 Lbs. (25.4 kg)

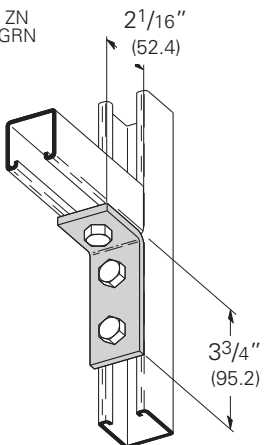
PA ZN GRN



**B374**  
**Three Hole Corner Angle**

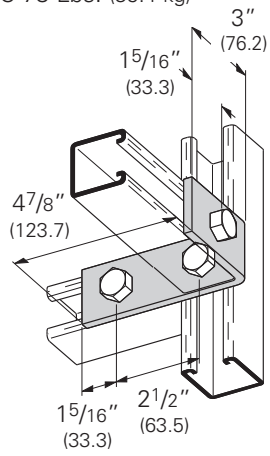
- Standard finishes: ZN, GRN, HDG
- Wt./C 56 Lbs. (25.4 kg)

PA ZN GRN



**B529**  
**Three Hole Corner Angle**

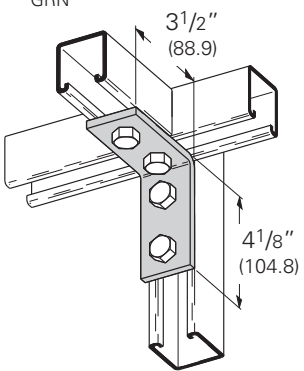
- Standard finishes: ZN, GRN
- Wt./C 78 Lbs. (35.4 kg)



**B104**  
**Four Hole Corner Angle**

- Standard finishes: ZN, GRN, HDG, SS4, SS6, AL
- Wt./C 78 Lbs. (35.4 kg)

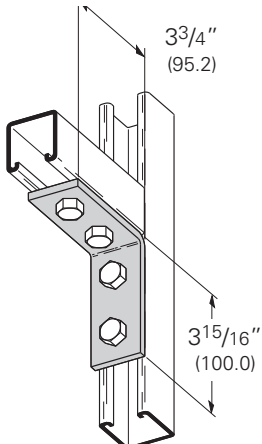
PA ZN GRN



**B115**  
**Four Hole Corner Angle**

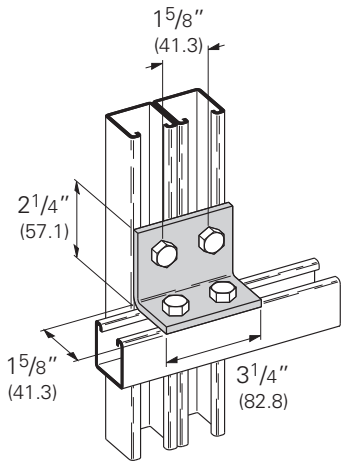
- Standard finishes: ZN, GRN, HDG, SS4, AL
- Wt./C 76 Lbs. (34.5 kg)

PA ZN GRN



**B558**  
**Four Hole Corner Angle**

- Standard finishes: ZN, GRN
- Wt./C 73 Lbs. (33.1 kg)



PA Pre-assembled fitting      4Dimension compatible fitting

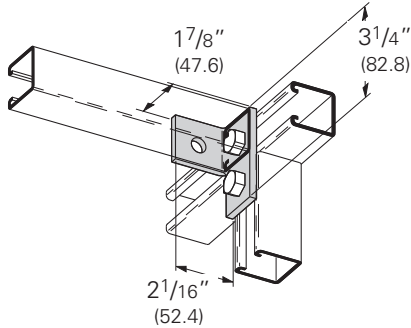
Reference page 73 for general fitting and standard finish specifications.

Strut Fittings

# 90° Angle Fittings

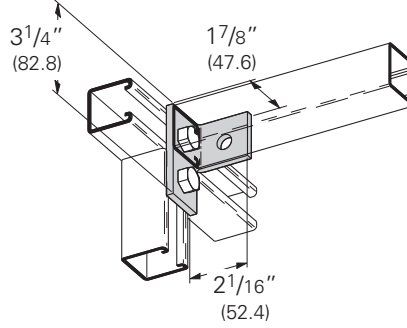
## B235R Three Hole (Right Hand) Offset Bent Angle

- 1<sup>5</sup>/<sub>8</sub>" (41.3) from center to center of the holes that are shown with bolt heads
- Standard finishes: ZN, GRN
- Wt./C 53 Lbs. (24.0 kg)



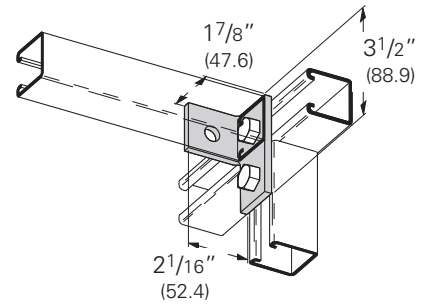
## B235L Three Hole (Left Hand) Offset Bent Angle

- 1<sup>5</sup>/<sub>8</sub>" (41.3) from center to center of the holes that are shown with bolt heads
- Standard finishes: ZN, GRN
- Wt./C 53 Lbs. (24.0 kg)



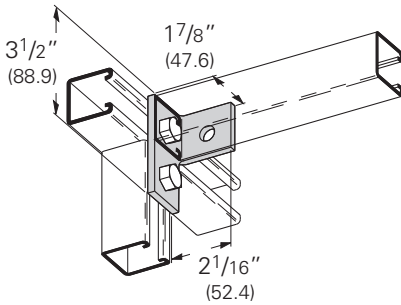
## B236R Three Hole (Right Hand) Offset Bent Angle

- Standard finishes: ZN, GRN
- Wt./C 65 Lbs. (29.5 kg)



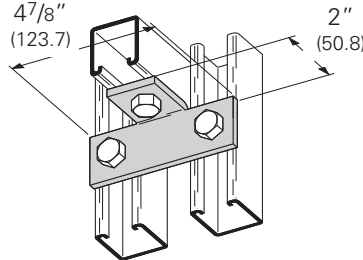
## B236L Three Hole (Left Hand) Offset Bent Angle

- Standard finishes: ZN, GRN
- Wt./C 65 Lbs. (29.5 kg)



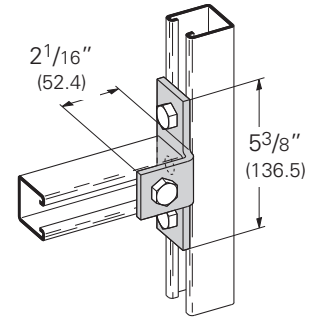
## B237 Three Hole Offset Bent Tee

- Standard finishes: ZN, GRN
- Wt./C 71 Lbs. (32.2 kg)



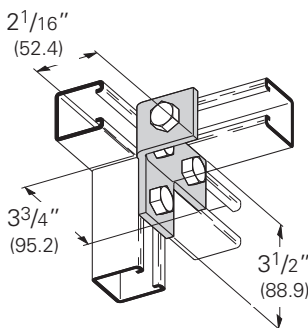
## B357 Four Hole Offset Bent Tee

- Standard finishes: ZN, GRN
- Wt./C 77 Lbs. (34.9 kg)



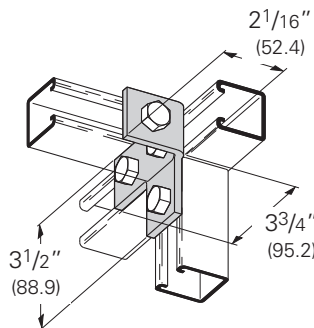
## B238R Four Hole (Right Hand) Offset Bent Tee

- Standard finishes: ZN, GRN
- Wt./C 76 Lbs. (34.5 kg)



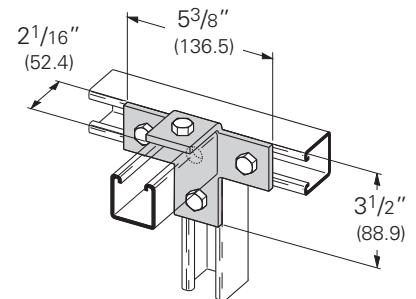
## B238L Four Hole (Left Hand) Offset Bent Tee

- Standard finishes: ZN, GRN
- Wt./C 76 Lbs. (34.5 kg)



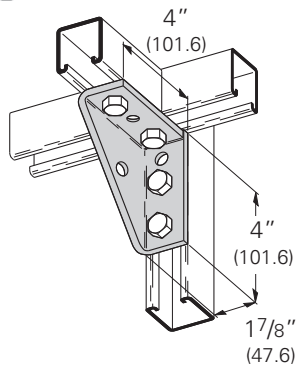
## B239 Five Hole Offset Bent Tee

- Standard finishes: ZN, GRN
- Wt./C 96 Lbs. (43.5 kg)



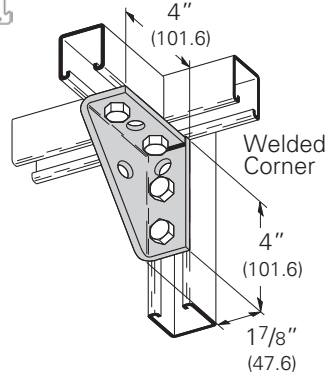
**B844  
Universal Shelf Bracket**

- Standard finishes: ZN, GRN, HDG, SS4
- Wt./C 132 Lbs. (59.9 kg)



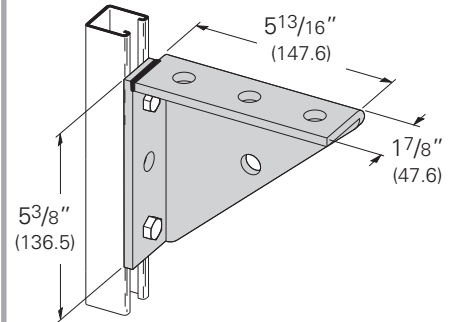
**B844W  
Universal Shelf Bracket -  
Welded**

- Standard finishes: ZN, GRN
- Wt./C 134 Lbs. (60.8 kg)



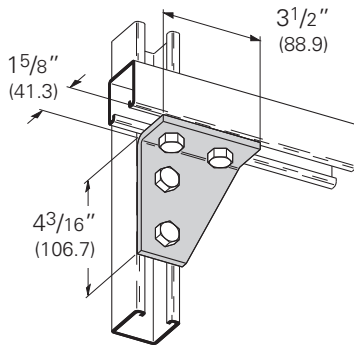
**B888W  
Universal Shelf Bracket -  
Welded**

- Standard finishes: ZN, GRN
- Wt./C 197 Lbs. (89.4 kg)



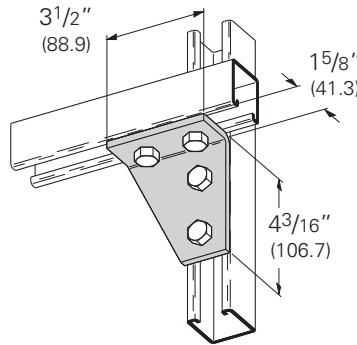
**B234R  
Four Hole (Right Hand)  
Corner Gusset**

- Standard finishes: ZN, GRN, HDG
- Wt./C 100 Lbs. (45.3 kg)



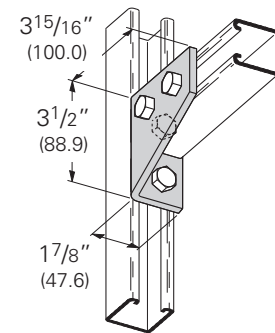
**B234L  
Four Hole (Left Hand)  
Corner Gusset**

- Standard finishes: ZN, GRN, HDG
- Wt./C 100 Lbs. (45.3 kg)



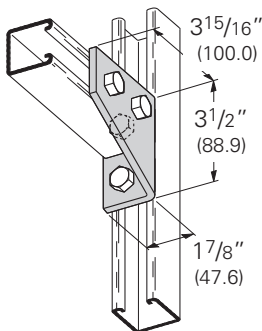
**B134R  
Four Hole (Right Hand)  
Corner Gusset**

- Standard finishes: ZN, GRN
- Wt./C 100 Lbs. (45.3 kg)



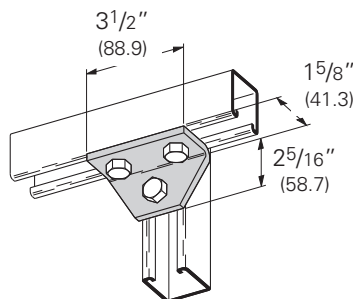
**B134L  
Four Hole (Left Hand)  
Corner Gusset**

- Standard finishes: ZN, GRN
- Wt./C 100 Lbs. (45.3 kg)



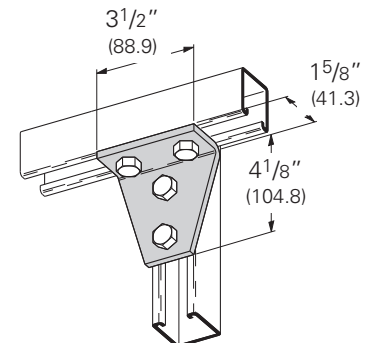
**B125  
Three Hole Gussetted  
Shelf Angle**

- Standard finishes: ZN, GRN
- Wt./C 67 Lbs. (30.4 kg)



**B118  
Four Hole Gussetted  
Shelf Angle**

- Standard finishes: ZN, GRN, HDG
- Wt./C 102 Lbs. (46.2 kg)



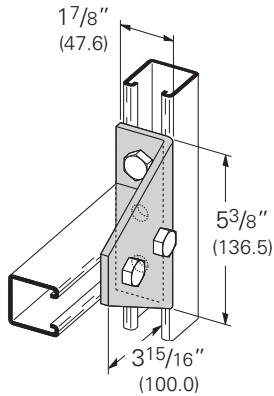
Reference page 73 for general fitting and standard finish specifications.

# 90° Angle Fittings

## B485

### Four Hole Gussetted Shelf Angle

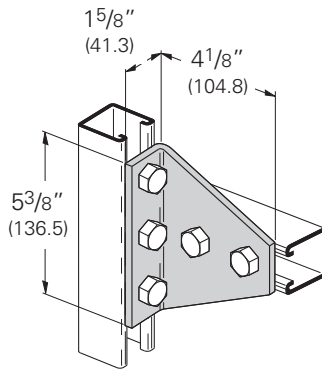
- Standard finishes: ZN, GRN
- Wt./C 148 Lbs. (67.1 kg)



## B533

### Five Hole Gussetted Shelf Angle

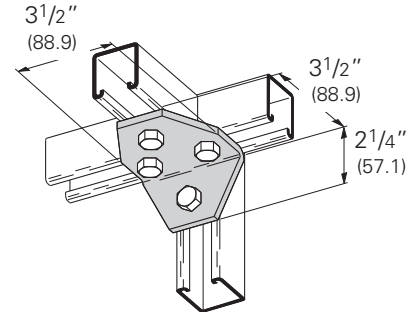
- Standard finishes: ZN, GRN
- Wt./C 141 Lbs. (63.9 kg)



## B126

### Four Hole Gussetted Three Way Shelf Angle

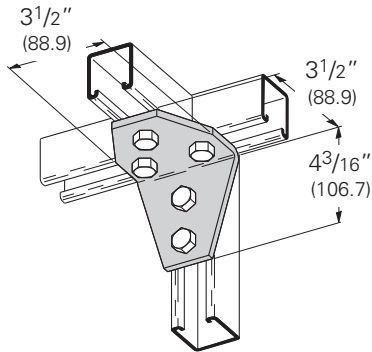
- Standard finishes: ZN, GRN
- Wt./C 101 Lbs. (45.8 kg)



## B127

### Five Hole Gussetted Three Way Shelf Angle

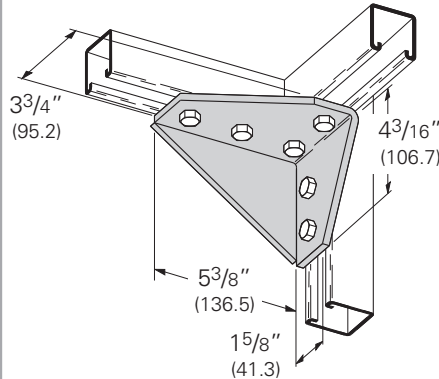
- Standard finishes: ZN, GRN
- Wt./C 135 Lbs. (61.2 kg)



## B503R

### Six Hole (Right Hand) Gussetted Corner Connection

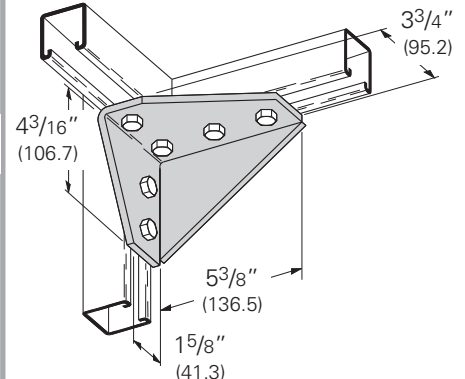
- Standard finishes: ZN, GRN
- Wt./C 229 Lbs. (103.9 kg)



## B503L

### Six Hole (Left Hand) Gussetted Corner Connection

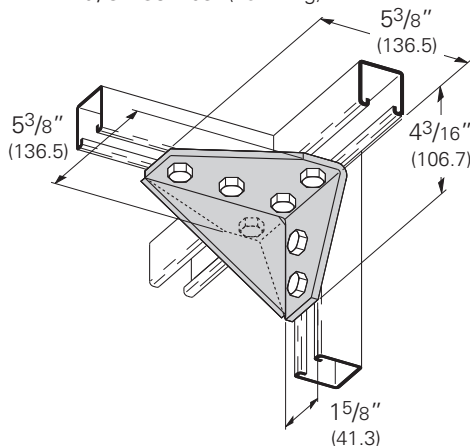
- Standard finishes: ZN, GRN
- Wt./C 229 Lbs. (103.9 kg)



## B663

### Seven Hole Gussetted Corner Connection

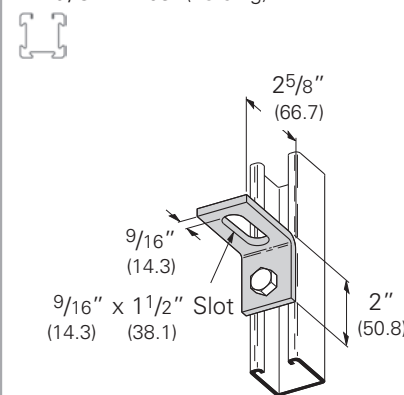
- Standard finishes: ZN, GRN
- Wt./C 289 Lbs. (131.1 kg)



## B371

### Two Hole Adjustable Corner Angle

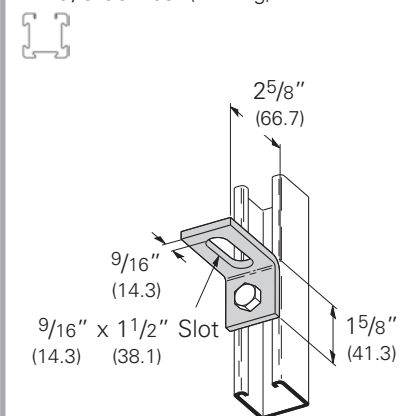
- Standard finishes: ZN, GRN
- Wt./C 41 Lbs. (18.6 kg)



## B372

### Two Hole Adjustable Corner Angle

- Standard finishes: ZN, GRN
- Wt./C 38 Lbs. (17.2 kg)

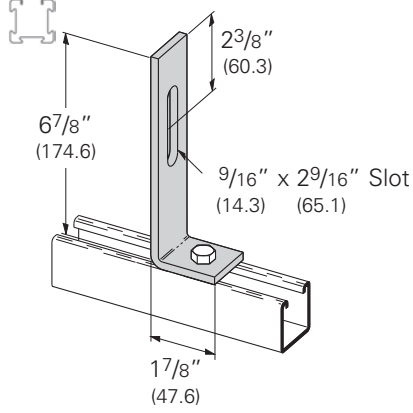


 4Dimension compatible fitting

Reference page 73 for general fitting and standard finish specifications.

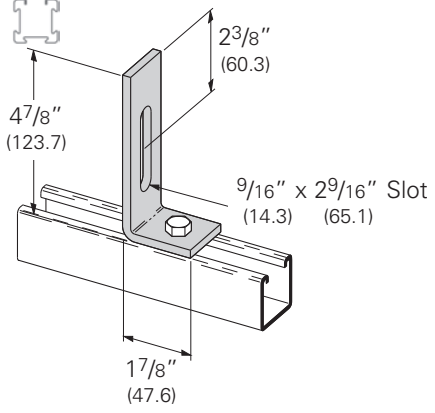
**B496**  
**Two Hole Adjustable**  
**Corner Angle**

- Standard finishes: ZN, GRN
- Wt./C 85 Lbs. (38.5 kg)



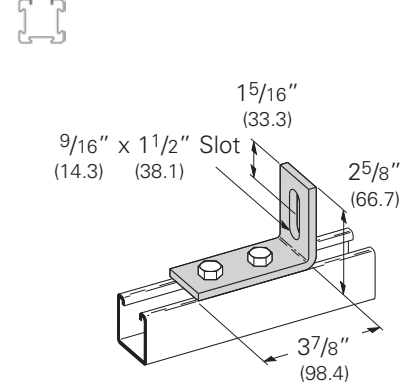
**B496-1**  
**Two Hole Adjustable**  
**Corner Angle**

- Standard finishes: ZN, GRN, HDG
- Wt./C 58 Lbs. (26.3 kg)



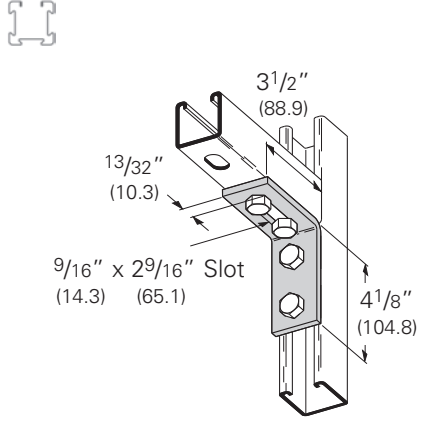
**B371-2**  
**Three Hole Adjustable**  
**Corner Angle**

- Standard finishes: ZN, GRN
- Wt./C 61 Lbs. (27.6 kg)



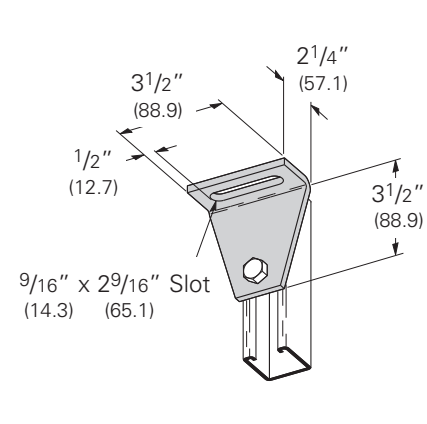
**B104SH**  
**Three Hole Adjustable**  
**Corner Angle**

- Standard finishes: ZN, GRN
- Wt./C 68 Lbs. (30.8 kg)



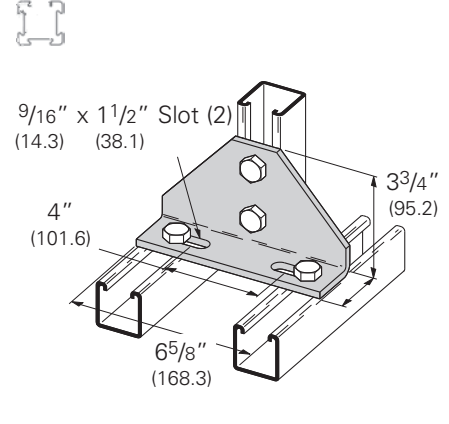
**B461**  
**Two Hole Adjustable**  
**Corner Angle**

- Standard finishes: ZN, GRN
- Wt./C 87 Lbs. (39.4 kg)



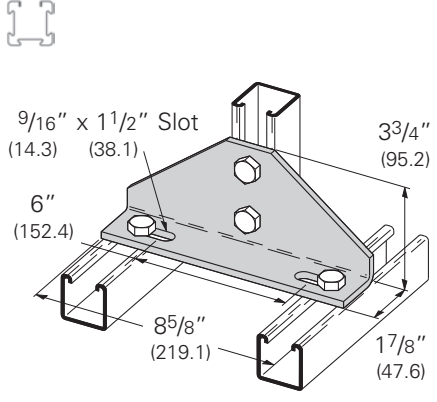
**B112**  
**Four Hole Adjustable**  
**Corner Angle**

- Standard finishes: ZN, GRN
- Wt./C 180 Lbs. (81.6 kg)



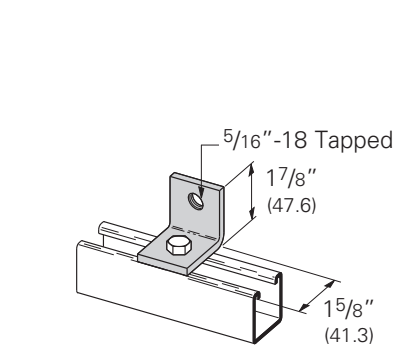
**B113**  
**Four Hole Adjustable**  
**Corner Angle**

- Standard finishes: ZN, GRN
- Wt./C 256 Lbs. (116.1 kg)



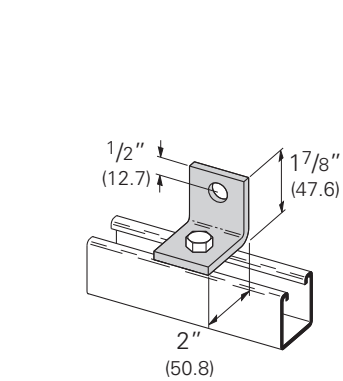
**B109S**  
**Two Hole Tapped**  
**Corner Angle**

- Standard finishes: ZN, GRN
- Wt./C 33 Lbs. (14.9 kg)



**B521**  
**Two Hole Bus Duct**  
**Angle**

- Standard finishes: ZN, GRN
- Wt./C 37 Lbs. (16.8 kg)



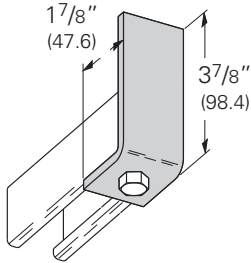
4Dimension compatible fitting

Reference page 73 for general fitting and standard finish specifications.

# 90° Angle Fittings

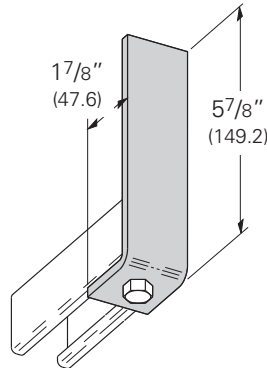
## B420-378 One Hole Corner Angle

- Standard finishes: ZN, GRN
- Wt./C 60 Lbs. (27.2 kg)



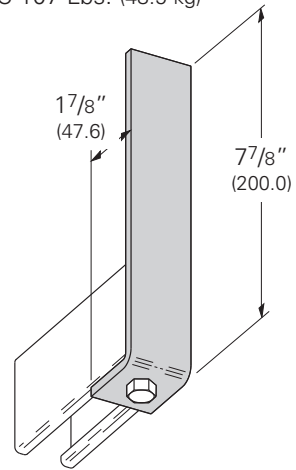
## B420-578 One Hole Corner Angle

- Standard finishes: ZN, GRN
- Wt./C 85 Lbs. (38.5 kg)



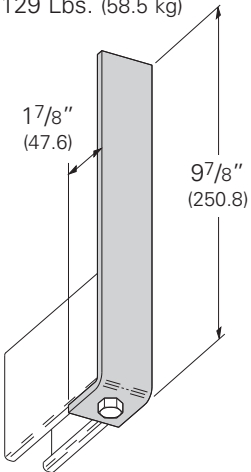
## B420-778 One Hole Corner Angle

- Standard finishes: ZN, GRN
- Wt./C 107 Lbs. (48.5 kg)



## B420-978 One Hole Corner Angle

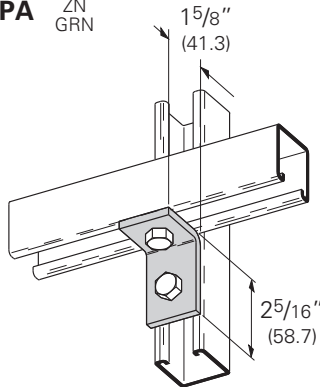
- Standard finishes: ZN, GRN
- Wt./C 129 Lbs. (58.5 kg)



## B101 Two Hole Corner Angle

- Standard finishes: ZN, GRN, HDG, SS4, AL
- Wt./C 37 Lbs. (16.8 kg)

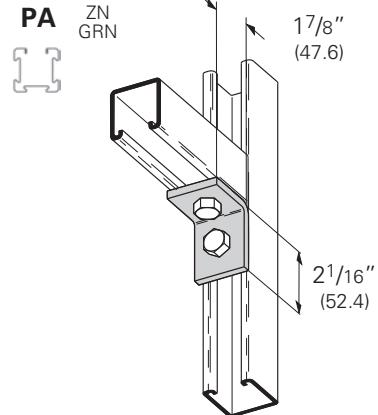
PA ZN GRN



## B230 Two Hole Corner Angle

- Standard finishes: ZN, GRN, HDG, SS4, AL
- Wt./C 37 Lbs. (16.8 kg)

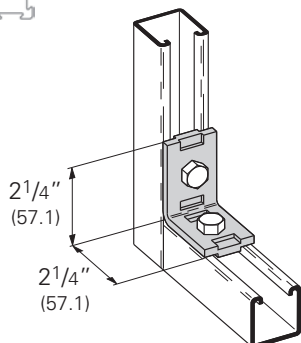
PA ZN GRN



## B231 Two Hole "No-Twist" Corner Angle

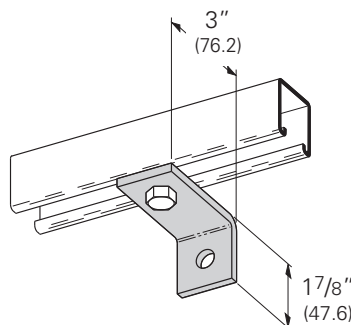
- Standard finishes: ZN, GRN, HDG
- Wt./C 41 Lbs. (18.6 kg)

PA ZN GRN



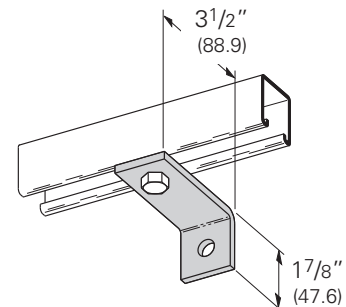
## B359 Two Hole Corner Angle

- Standard finishes: ZN, GRN
- Wt./C 48 Lbs. (21.8 kg)



## B360 Two Hole Corner Angle

- Standard finishes: ZN, GRN
- Wt./C 53 Lbs. (24.0 kg)



PA Pre-assembled fitting

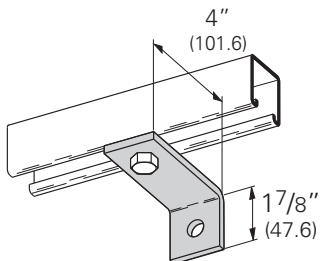


4Dimension compatible fitting

Reference page 73 for general fitting and standard finish specifications.

**B361**  
**Two Hole Corner Angle**

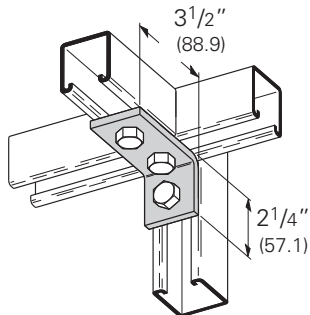
- Standard finishes: ZN, GRN
- Wt./C 60 Lbs. (27.2 kg)



**B102**  
**Three Hole Corner Angle**

- Standard finishes: ZN, GRN, HDG, SS4
- Wt./C 56 Lbs. (25.4 kg)

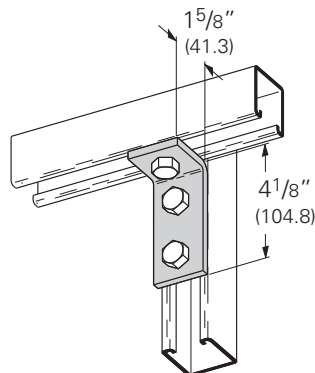
PA ZN  
GRN



**B103**  
**Three Hole Corner Angle**

- Standard finishes: ZN, GRN, HDG, SS4
- Wt./C 56 Lbs. (25.4 kg)

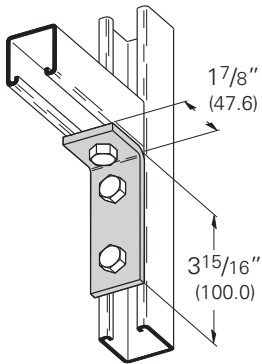
PA ZN  
GRN



**B232**  
**Three Hole Corner Angle**

- Standard finishes: ZN, GRN, HDG, SS4
- Wt./C 56 Lbs. (25.4 kg)

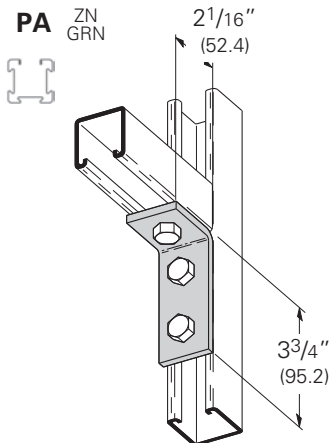
PA ZN  
GRN



**B374**  
**Three Hole Corner Angle**

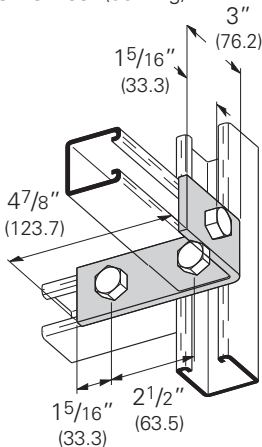
- Standard finishes: ZN, GRN, HDG
- Wt./C 56 Lbs. (25.4 kg)

PA ZN  
GRN



**B529**  
**Three Hole Corner Angle**

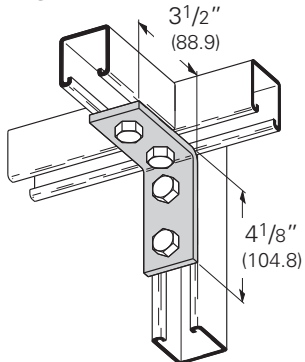
- Standard finishes: ZN, GRN
- Wt./C 78 Lbs. (35.4 kg)



**B104**  
**Four Hole Corner Angle**

- Standard finishes: ZN, GRN, HDG, SS4, SS6, AL
- Wt./C 78 Lbs. (35.4 kg)

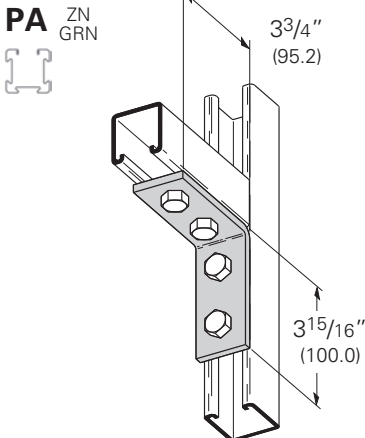
PA ZN  
GRN



**B115**  
**Four Hole Corner Angle**

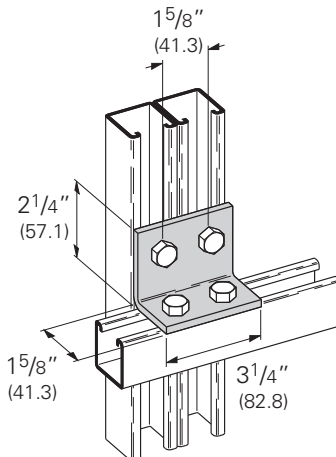
- Standard finishes: ZN, GRN, HDG, SS4, AL
- Wt./C 76 Lbs. (34.5 kg)

PA ZN  
GRN



**B558**  
**Four Hole Corner Angle**

- Standard finishes: ZN, GRN
- Wt./C 73 Lbs. (33.1 kg)



PA Pre-assembled fitting      4Dimension compatible fitting

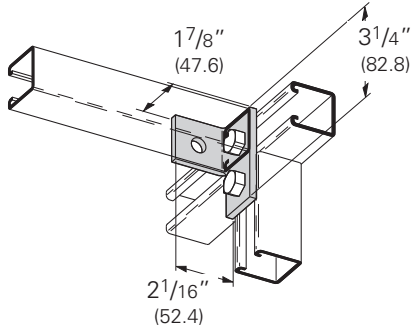
Reference page 73 for general fitting and standard finish specifications.



# 90° Angle Fittings

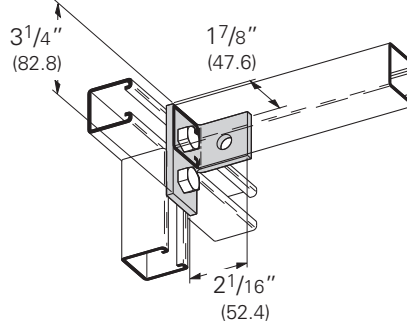
## B235R Three Hole (Right Hand) Offset Bent Angle

- 1<sup>5</sup>/<sub>8</sub>" (41.3) from center to center of the holes that are shown with bolt heads
- Standard finishes: ZN, GRN
- Wt./C 53 Lbs. (24.0 kg)



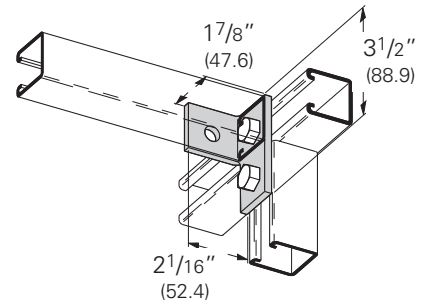
## B235L Three Hole (Left Hand) Offset Bent Angle

- 1<sup>5</sup>/<sub>8</sub>" (41.3) from center to center of the holes that are shown with bolt heads
- Standard finishes: ZN, GRN
- Wt./C 53 Lbs. (24.0 kg)



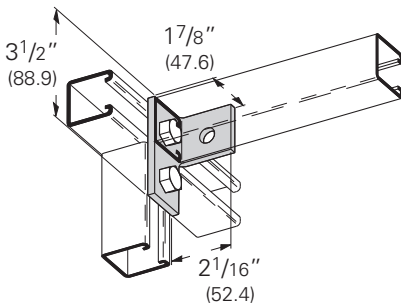
## B236R Three Hole (Right Hand) Offset Bent Angle

- Standard finishes: ZN, GRN
- Wt./C 65 Lbs. (29.5 kg)



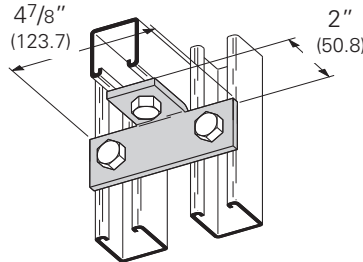
## B236L Three Hole (Left Hand) Offset Bent Angle

- Standard finishes: ZN, GRN
- Wt./C 65 Lbs. (29.5 kg)



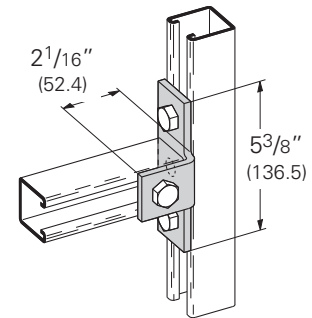
## B237 Three Hole Offset Bent Tee

- Standard finishes: ZN, GRN
- Wt./C 71 Lbs. (32.2 kg)



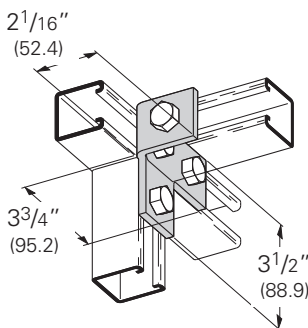
## B357 Four Hole Offset Bent Tee

- Standard finishes: ZN, GRN
- Wt./C 77 Lbs. (34.9 kg)



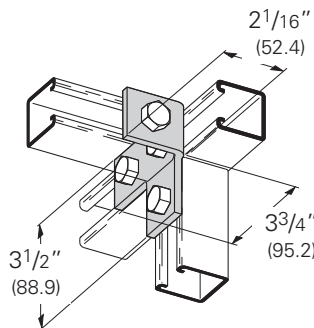
## B238R Four Hole (Right Hand) Offset Bent Tee

- Standard finishes: ZN, GRN
- Wt./C 76 Lbs. (34.5 kg)



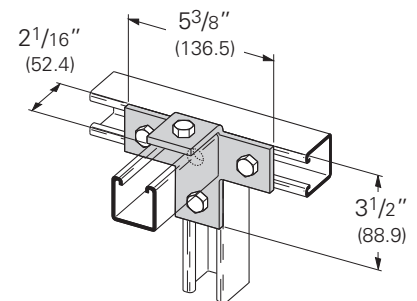
## B238L Four Hole (Left Hand) Offset Bent Tee

- Standard finishes: ZN, GRN
- Wt./C 76 Lbs. (34.5 kg)



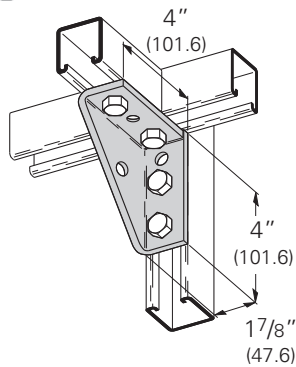
## B239 Five Hole Offset Bent Tee

- Standard finishes: ZN, GRN
- Wt./C 96 Lbs. (43.5 kg)



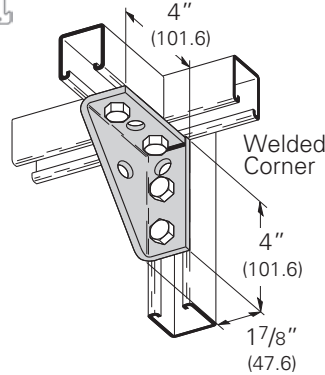
**B844**  
**Universal Shelf Bracket**

- Standard finishes: ZN, GRN, HDG, SS4
- Wt./C 132 Lbs. (59.9 kg)



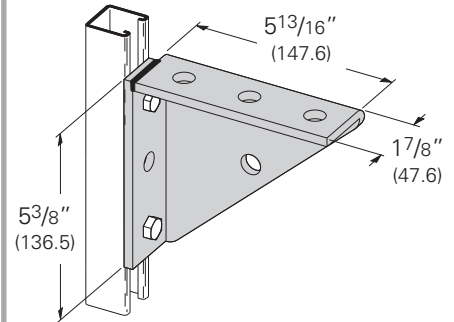
**B844W**  
**Universal Shelf Bracket - Welded**

- Standard finishes: ZN, GRN
- Wt./C 134 Lbs. (60.8 kg)



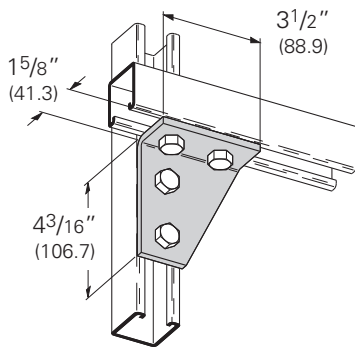
**B888W**  
**Universal Shelf Bracket - Welded**

- Standard finishes: ZN, GRN
- Wt./C 197 Lbs. (89.4 kg)



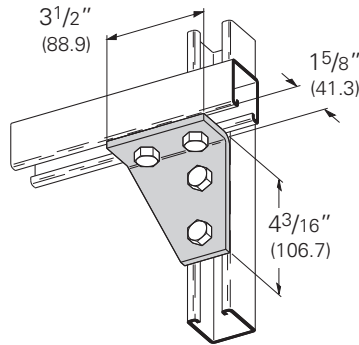
**B234R**  
**Four Hole (Right Hand) Corner Gusset**

- Standard finishes: ZN, GRN, HDG
- Wt./C 100 Lbs. (45.3 kg)



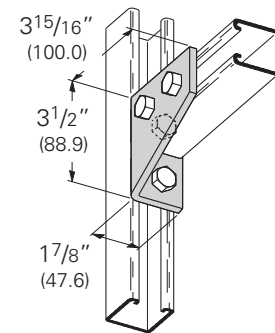
**B234L**  
**Four Hole (Left Hand) Corner Gusset**

- Standard finishes: ZN, GRN, HDG
- Wt./C 100 Lbs. (45.3 kg)



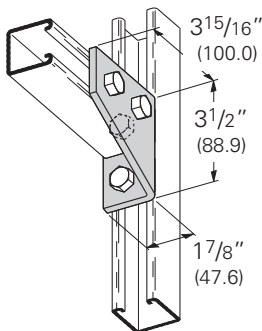
**B134R**  
**Four Hole (Right Hand) Corner Gusset**

- Standard finishes: ZN, GRN
- Wt./C 100 Lbs. (45.3 kg)



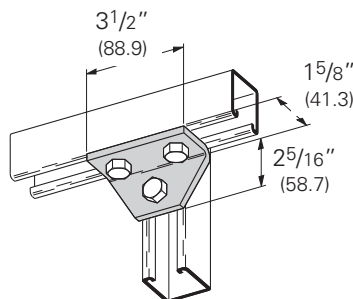
**B134L**  
**Four Hole (Left Hand) Corner Gusset**

- Standard finishes: ZN, GRN
- Wt./C 100 Lbs. (45.3 kg)



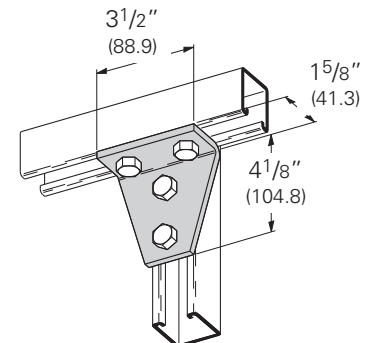
**B125**  
**Three Hole Gussetted Shelf Angle**

- Standard finishes: ZN, GRN
- Wt./C 67 Lbs. (30.4 kg)



**B118**  
**Four Hole Gussetted Shelf Angle**

- Standard finishes: ZN, GRN, HDG
- Wt./C 102 Lbs. (46.2 kg)



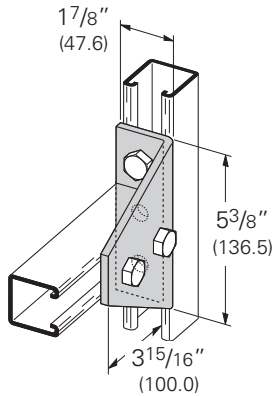
Reference page 73 for general fitting and standard finish specifications.

# 90° Angle Fittings

## B485

### Four Hole Gussetted Shelf Angle

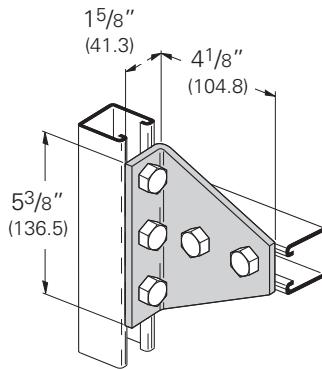
- Standard finishes: ZN, GRN
- Wt./C 148 Lbs. (67.1 kg)



## B533

### Five Hole Gussetted Shelf Angle

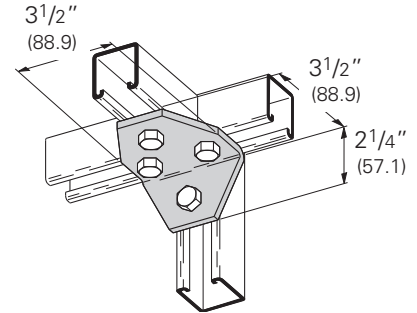
- Standard finishes: ZN, GRN
- Wt./C 141 Lbs. (63.9 kg)



## B126

### Four Hole Gussetted Three Way Shelf Angle

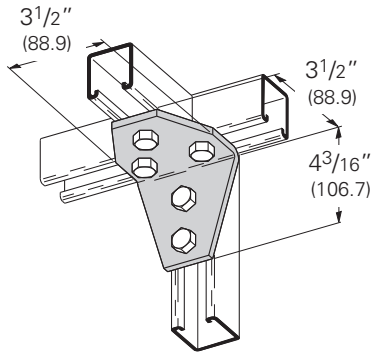
- Standard finishes: ZN, GRN
- Wt./C 101 Lbs. (45.8 kg)



## B127

### Five Hole Gussetted Three Way Shelf Angle

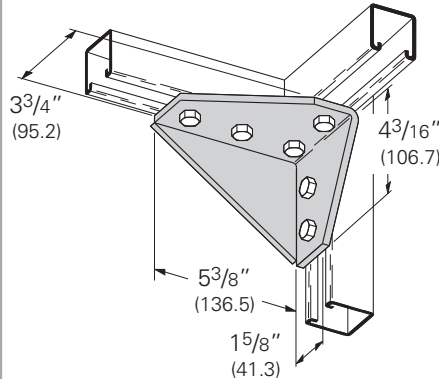
- Standard finishes: ZN, GRN
- Wt./C 135 Lbs. (61.2 kg)



## B503R

### Six Hole (Right Hand) Gussetted Corner Connection

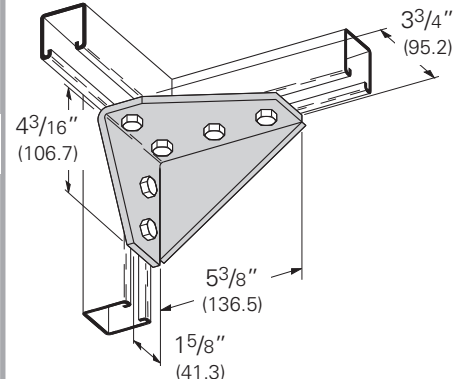
- Standard finishes: ZN, GRN
- Wt./C 229 Lbs. (103.9 kg)



## B503L

### Six Hole (Left Hand) Gussetted Corner Connection

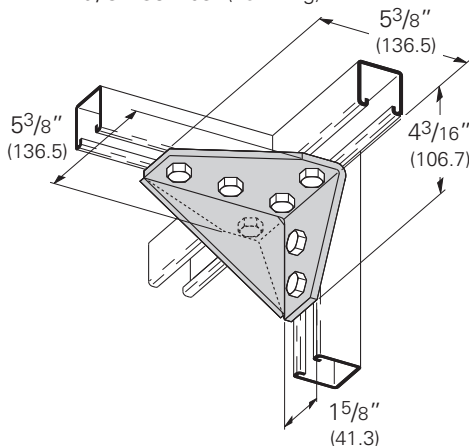
- Standard finishes: ZN, GRN
- Wt./C 229 Lbs. (103.9 kg)



## B663

### Seven Hole Gussetted Corner Connection

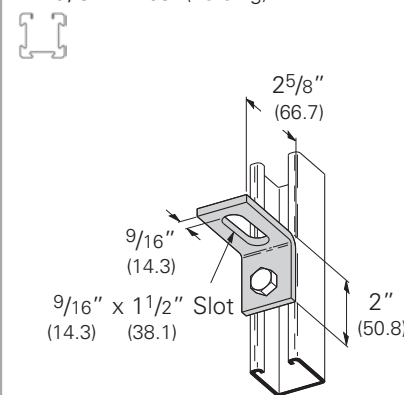
- Standard finishes: ZN, GRN
- Wt./C 289 Lbs. (131.1 kg)



## B371

### Two Hole Adjustable Corner Angle

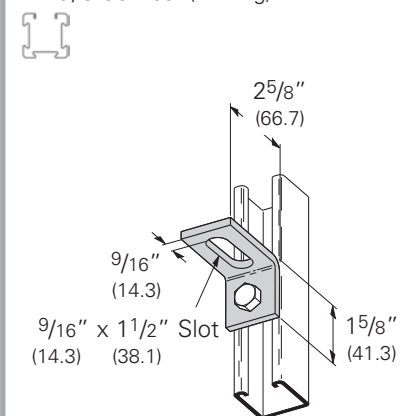
- Standard finishes: ZN, GRN
- Wt./C 41 Lbs. (18.6 kg)



## B372

### Two Hole Adjustable Corner Angle

- Standard finishes: ZN, GRN
- Wt./C 38 Lbs. (17.2 kg)



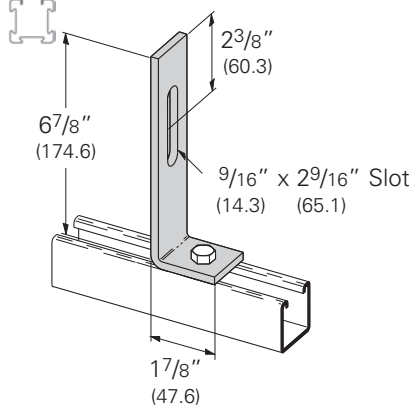
 4Dimension compatible fitting

Reference page 73 for general fitting and standard finish specifications.

# 90° Angle Fittings

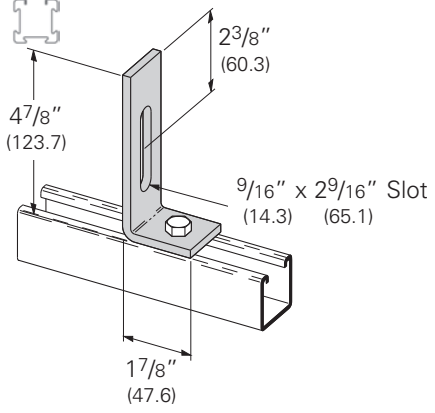
**B496**  
**Two Hole Adjustable**  
**Corner Angle**

- Standard finishes: ZN, GRN
- Wt./C 85 Lbs. (38.5 kg)



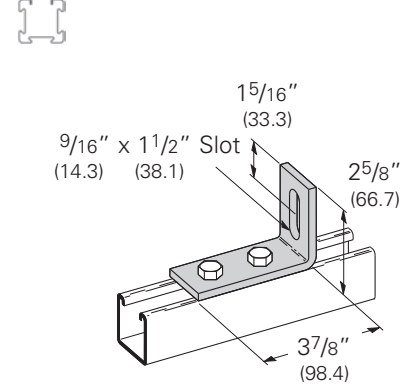
**B496-1**  
**Two Hole Adjustable**  
**Corner Angle**

- Standard finishes: ZN, GRN, HDG
- Wt./C 58 Lbs. (26.3 kg)



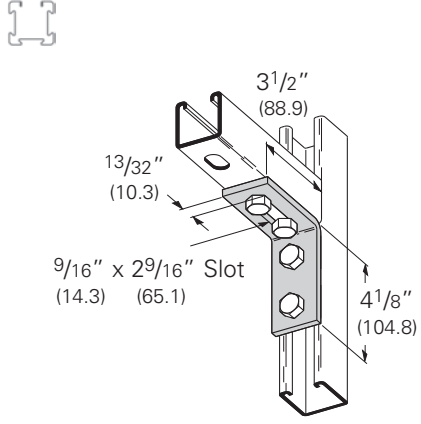
**B371-2**  
**Three Hole Adjustable**  
**Corner Angle**

- Standard finishes: ZN, GRN
- Wt./C 61 Lbs. (27.6 kg)



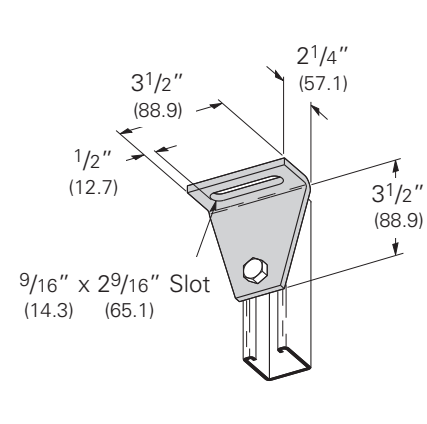
**B104SH**  
**Three Hole Adjustable**  
**Corner Angle**

- Standard finishes: ZN, GRN
- Wt./C 68 Lbs. (30.8 kg)



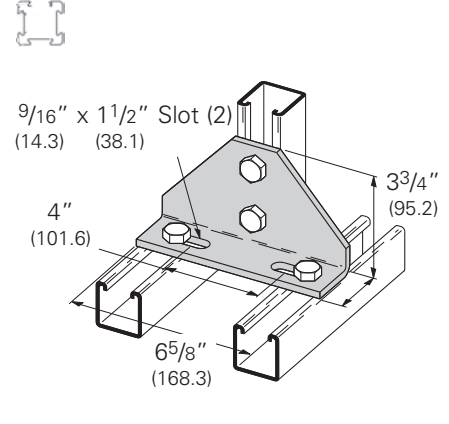
**B461**  
**Two Hole Adjustable**  
**Corner Angle**

- Standard finishes: ZN, GRN
- Wt./C 87 Lbs. (39.4 kg)



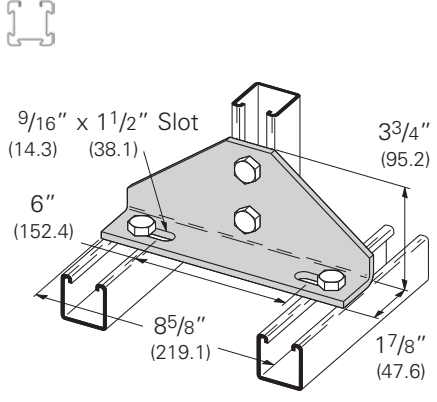
**B112**  
**Four Hole Adjustable**  
**Corner Angle**

- Standard finishes: ZN, GRN
- Wt./C 180 Lbs. (81.6 kg)



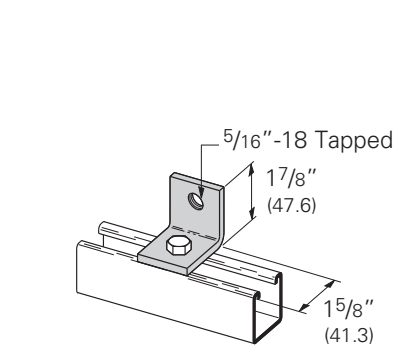
**B113**  
**Four Hole Adjustable**  
**Corner Angle**

- Standard finishes: ZN, GRN
- Wt./C 256 Lbs. (116.1 kg)



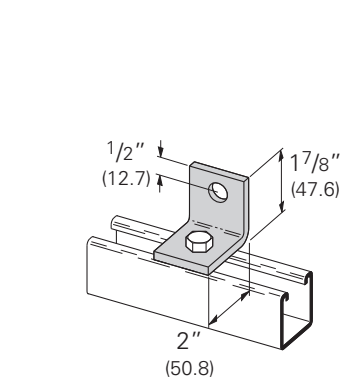
**B109S**  
**Two Hole Tapped**  
**Corner Angle**

- Standard finishes: ZN, GRN
- Wt./C 33 Lbs. (14.9 kg)



**B521**  
**Two Hole Bus Duct**  
**Angle**

- Standard finishes: ZN, GRN
- Wt./C 37 Lbs. (16.8 kg)



4Dimension compatible fitting

Reference page 73 for general fitting and standard finish specifications.