

DRAWING NO.
10051615

7

6

5

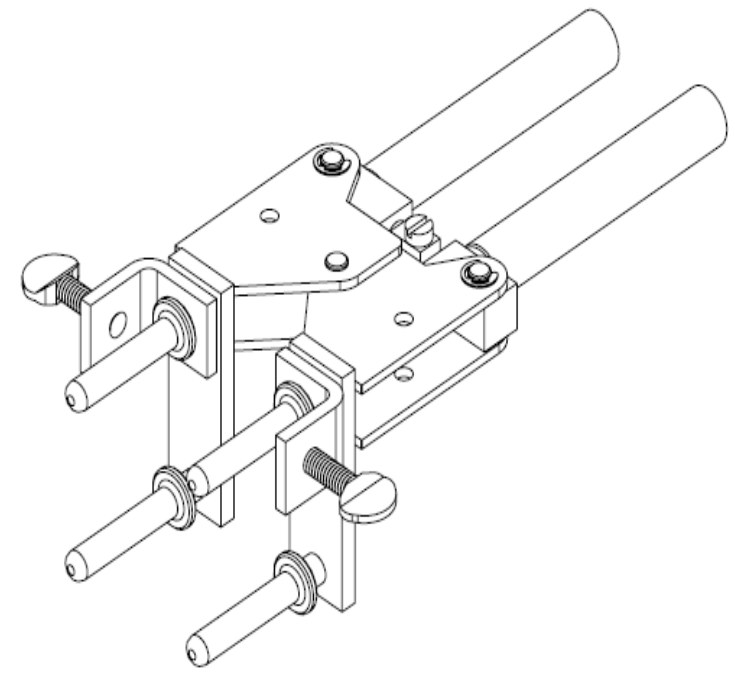
4

3

2

1

REV	DATE	DESCRIPTION	ECO	BY	C'H'K.
B	2/27/2010 12:00:00 AM	REDRAW IN PROE	19717	AD	MA



NOTES:

1. BURNDYWeid™ HANDLE CLAMPS MAKE POSSIBLE THE USE OF MANY DIFFERENT SIZES AND TYPES OF MOLDS WITH ONLY TWO DIFFERENT CLAMPS. THE TWO HANDLE CLAMPS ARE CATALOG NUMBERS B106 (ITEM #10050449) AND B107 (ITEM #10050453). THESE WILL FIT 95% OF ALL STANDARD BURNDYWeid™ MOLDS.

TO ORDER BURNDY® PRODUCTS CALL
 UNITED STATES
 1-800-346-4175 (LONDONDERRY, NH)
 CANADA:
 1-800-361-6975 (QUEBEC)
 1-800-387-6487 (ALL OTHER PROVINCES)
 FOR PRODUCT INFO: <http://www.burndy.com>

BURNDYWeid™ HANDLE CLAMPS	
ITEM NO:	10050449 & 10050453
CAT. NO:	B106 & B107
DRAWN BY:	D.BOISVERT 12/27/04
CHECKER:	D.SHIBILIA 1/3/05
DSN APPVL:	D.SHIBILIA 1/13/05
MFG APPVL:	--
QA APPVL:	J.BRODEUR 1/14/05
MKT APPVL:	R.ROBICHEAU 1/18/05
SCALE:	N/A
PROD FAM:	--
PROJECT #:	--
DOCUMENT TYPE:	Sales
REL LEVEL:	Released
DRAWING NO	10051615
REV	B
SHEET	1 OF 1



D

C

B

A

D

C

B

A

REV: PE0200

8

7

6

5

4

3

2

1