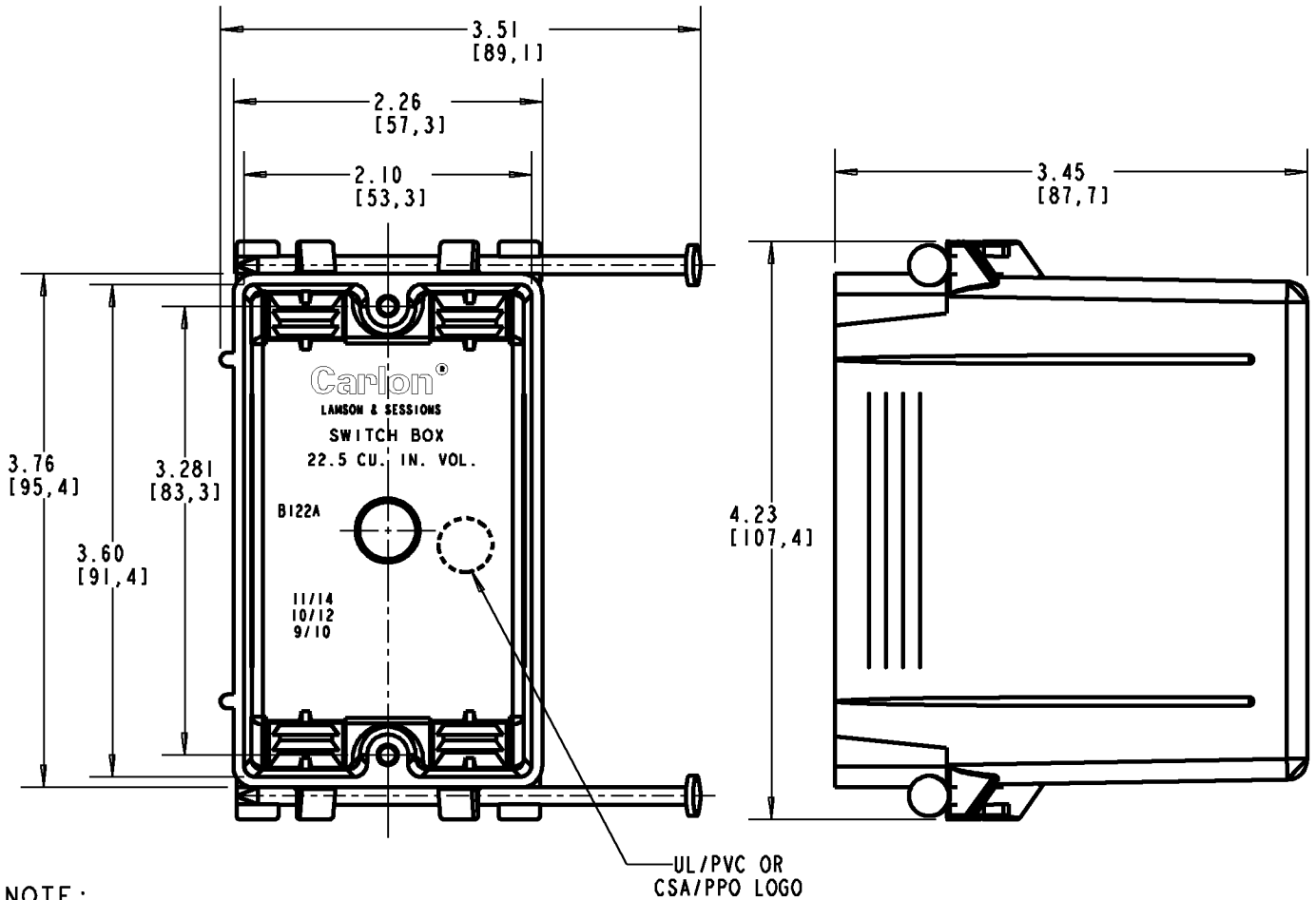
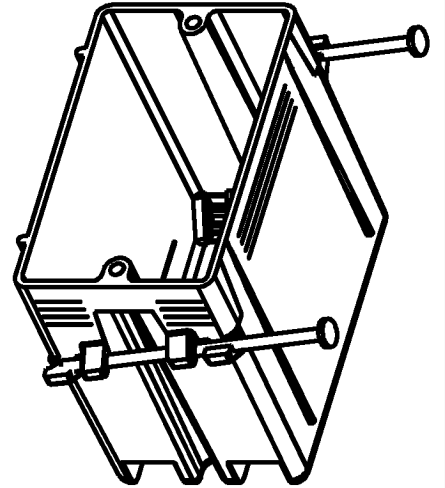



# Carlton®

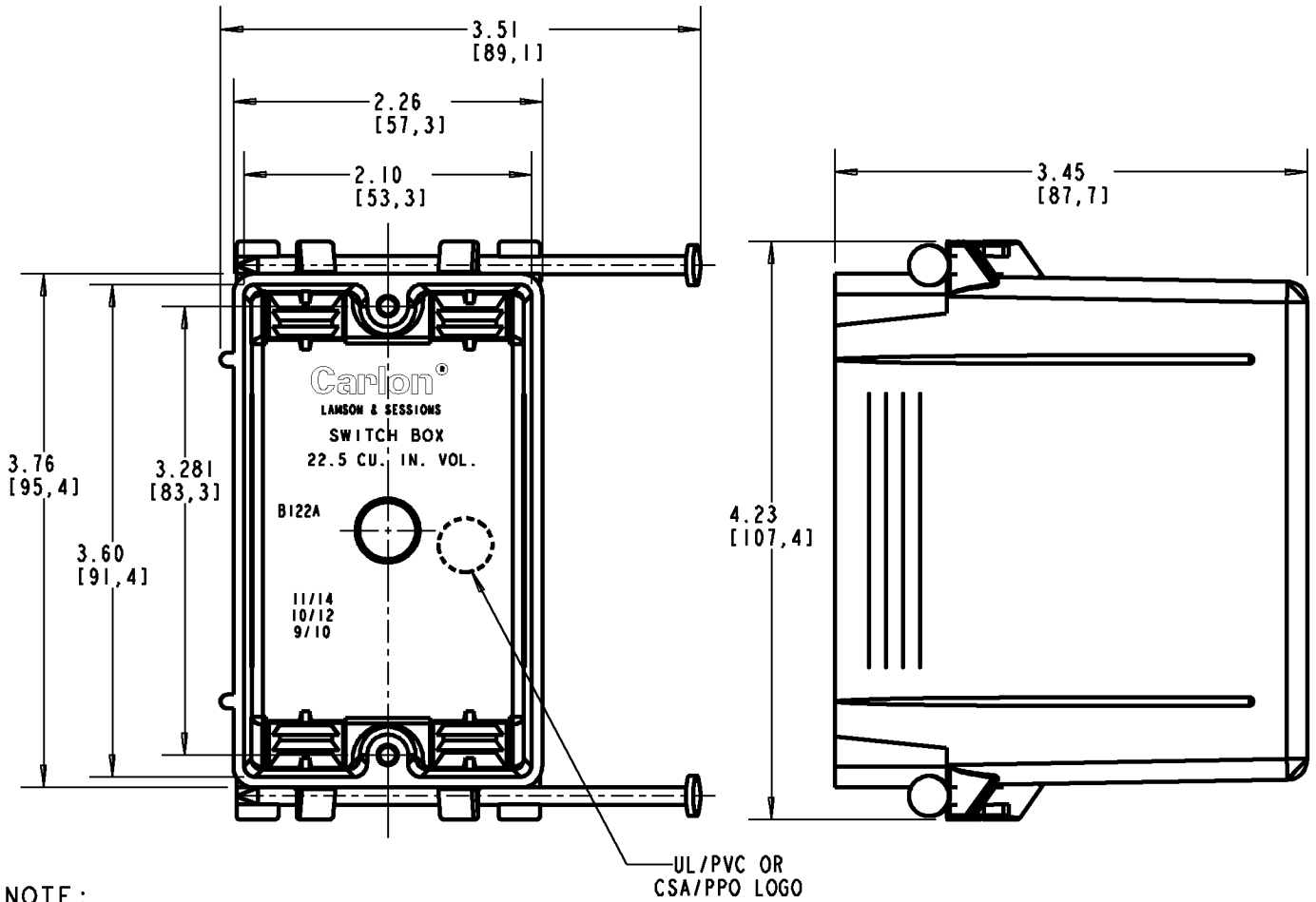
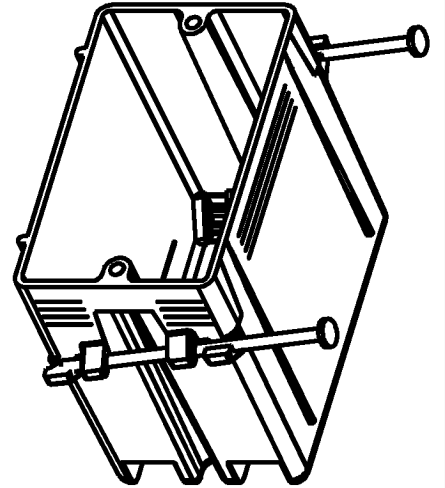


NOTE:  
1. SUPPORT NAILS INCLUDED.

P/N B122A-UPC

<b>GENERAL NOTES</b>		 www.tnb.com			
1. ALL DIMENSIONS ARE FOR REFERENCE ONLY. 2. DIMENSIONS IN BRACKETS [ ] ARE IN METRIC UNITS.					
<b>REVISIONS</b>		DESCRIPTION: <b>ZIP BOX 22.5 CU. IN. VOL. NAIL-ON</b>			
** SEE ERN ( **** ) FOR APPROVAL SIGNATURES & RELEASE DATE. PROJECT NO: ****		ORIGINAL PROJECT NO / ( ERN NO ) / ( )	SHEET NO: 1 OF 1	REV. NO: D	DRAWING NO: <b>WSD-AC02078</b>

# Carlton®



NOTE:  
1. SUPPORT NAILS INCLUDED.

P/N B122A-UPC

### GENERAL NOTES

1. ALL DIMENSIONS ARE FOR REFERENCE ONLY.
2. DIMENSIONS IN BRACKETS [ ] ARE IN METRIC UNITS.

### REVISIONS

\*\*\* SEE ERN ( \*\*\*\* ) FOR APPROVAL SIGNATURES & RELEASE DATE.  
PROJECT NO: \*\*\*\*

**Thomas & Betts**  
www.tnb.com

DESCRIPTION: **ZIP BOX 22.5 CU. IN. VOL. NAIL-ON**

ORIGINAL PROJECT NO / ( ERN NO )

SHEET NO:

REV. NO:

DRAWING NO:

/ ( )

1 OF 1

**D**

**WSD-AC02078**