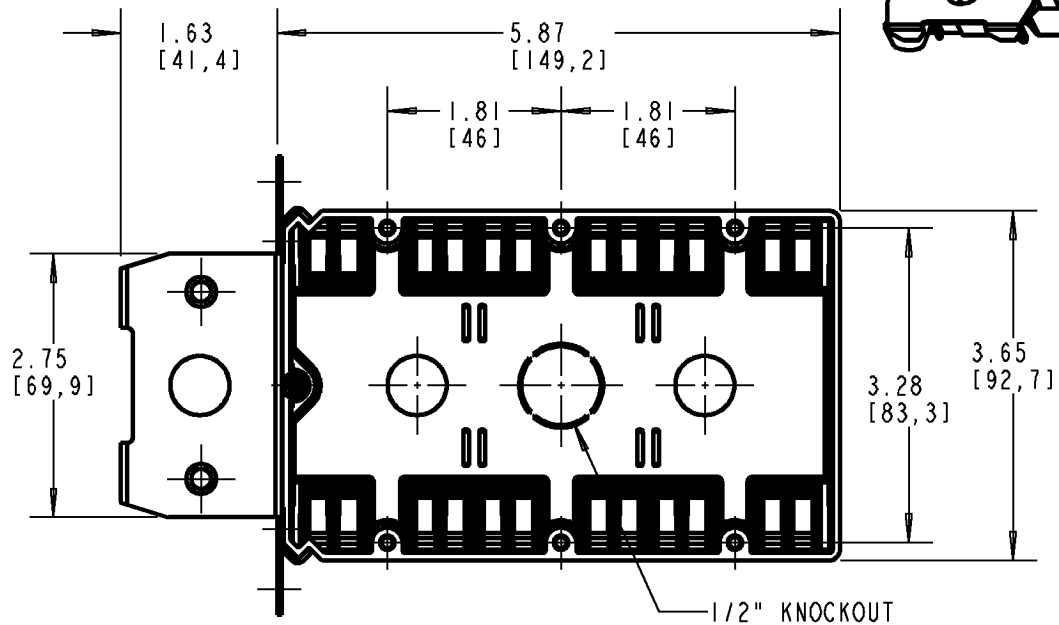
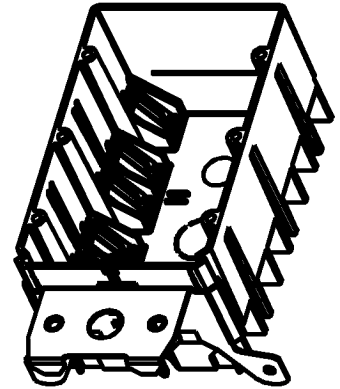
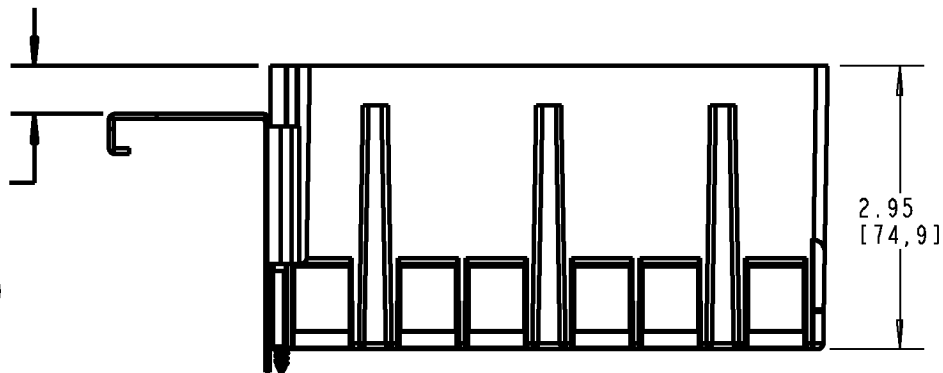


Carlton®



.50
[12,7]
TO 1.90
[48,3]
(ADJUSTABLE)



P/N B349ADJ

GENERAL NOTES

1. ALL DIMENSIONS ARE FOR REFERENCE ONLY.
2. DIMENSIONS IN BRACKETS [] ARE IN METRIC UNITS.

REVISIONS

*** SEE ERN (****) FOR APPROVAL SIGNATURES & RELEASE DATE.
PROJECT NO: ****

Thomas & Betts
www.tnb.com

DESCRIPTION: **3 GANG ADJUSTABLE DEVICE BOX ASSEMBLY**

ORIGINAL PROJECT NO / (ERN NO)
/ ()

SHEET NO:
1 OF 1

REV. NO:
A

DRAWING NO:
WSD-AC05029