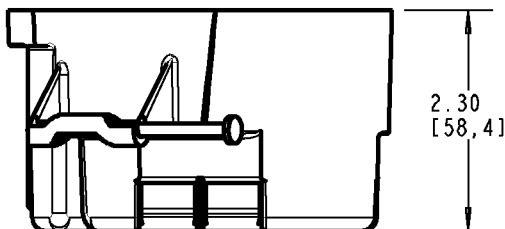
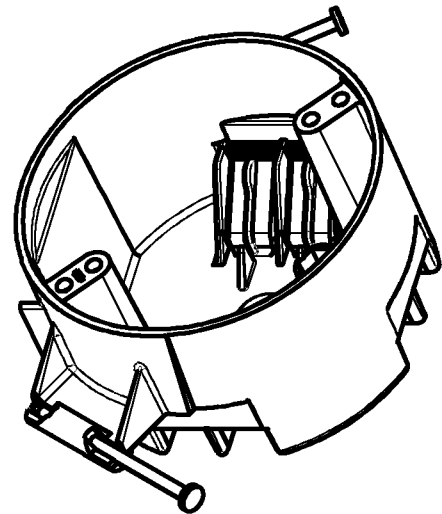
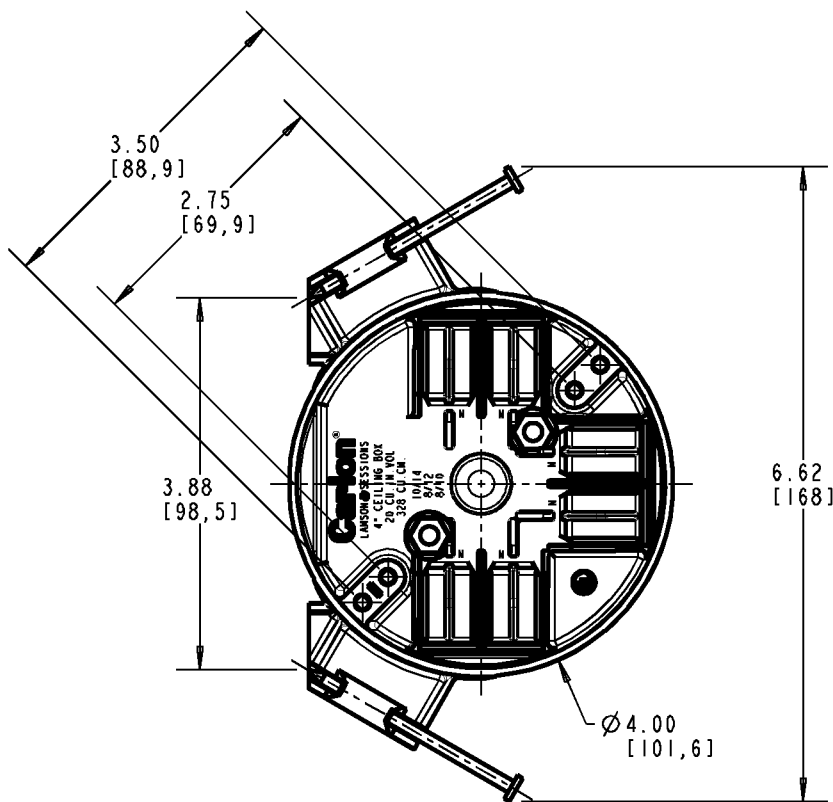


Carlton®




WARNING!

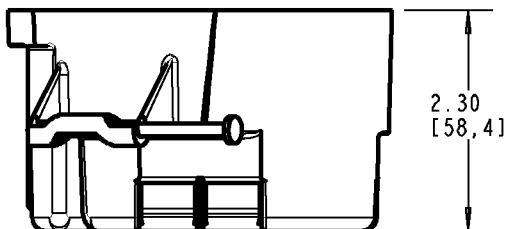
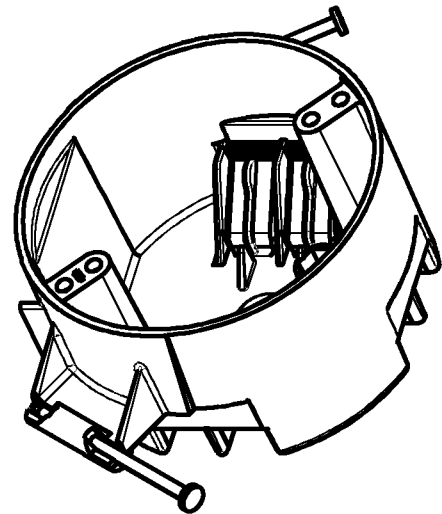
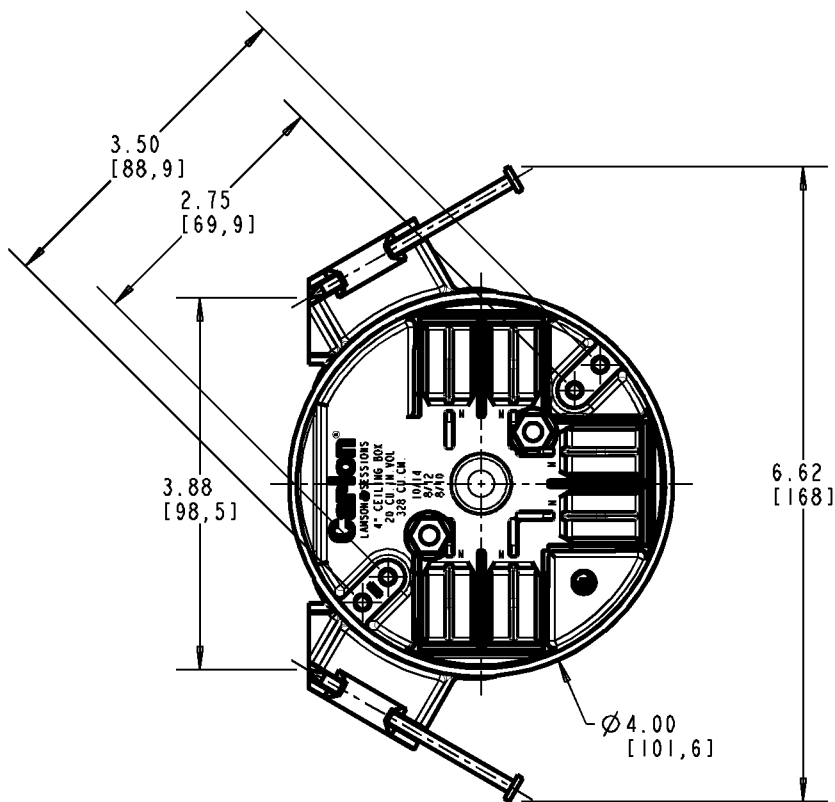
- * SOLVENTS CANNOT BE APPLIED TO ANY POLYCARBONATE ELECTRICAL BOXES.
- * DO NOT SPRAY PAINT POLYCARBONATE ELECTRICAL BOXES WITH ANY SOLVENT-BASED PAINT.
- * DO NOT SPRAY PAINT POLYCARBONATE ELECTRICAL BOXES WITH SPRAY PAINT APPLICATION WHICH INCLUDES ANY SOLVENT.

NOTE:
1. (2) NAILS INCLUDED.

P/N'S:
B520AB
B520AR-UPC
B520A-UPC

GENERAL NOTES		 www.tnb.com			
1. ALL DIMENSIONS ARE FOR REFERENCE ONLY. 2. DIMENSIONS IN BRACKETS [] ARE IN METRIC UNITS.					
REVISIONS		DESCRIPTION: 4" CEILING BOX W/BACKET			
C SEE ERN 2016537 FOR APPROVAL SIGNATURES & RELEASE DATE. PROJECTNO:NM400330		ORIGINAL PROJECT NO / (ERN NO)	SHEET NO:	REV. NO:	DRAWING NO:
		/ ()	1 OF 1	C	WSD-AC02073

Carlton®



WARNING!

- * SOLVENTS CANNOT BE APPLIED TO ANY POLYCARBONATE ELECTRICAL BOXES.
- * DO NOT SPRAY PAINT POLYCARBONATE ELECTRICAL BOXES WITH ANY SOLVENT-BASED PAINT.
- * DO NOT SPRAY PAINT POLYCARBONATE ELECTRICAL BOXES WITH SPRAY PAINT APPLICATION WHICH INCLUDES ANY SOLVENT.

NOTE:
1. (2) NAILS INCLUDED.

P/N'S:
B520AB
B520AR-UPC
B520A-UPC

GENERAL NOTES		Thomas & Betts <small>www.tnb.com</small>			
1. ALL DIMENSIONS ARE FOR REFERENCE ONLY. 2. DIMENSIONS IN BRACKETS [] ARE IN METRIC UNITS.					
REVISIONS					
C	SEE ERN 2016537 FOR APPROVAL SIGNATURES & RELEASE DATE. PROJECTNO:NM400330	ORIGINAL PROJECT NO / (ERN NO) / ()	SHEET NO: 1 OF 1	REV. NO: C	DRAWING NO: WSD-AC02073