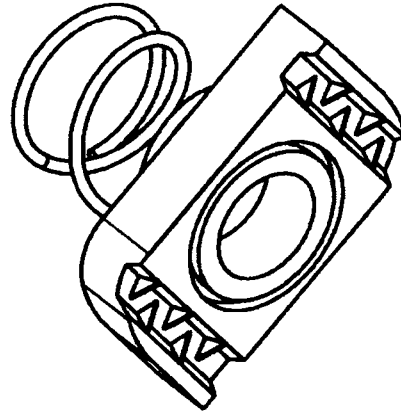
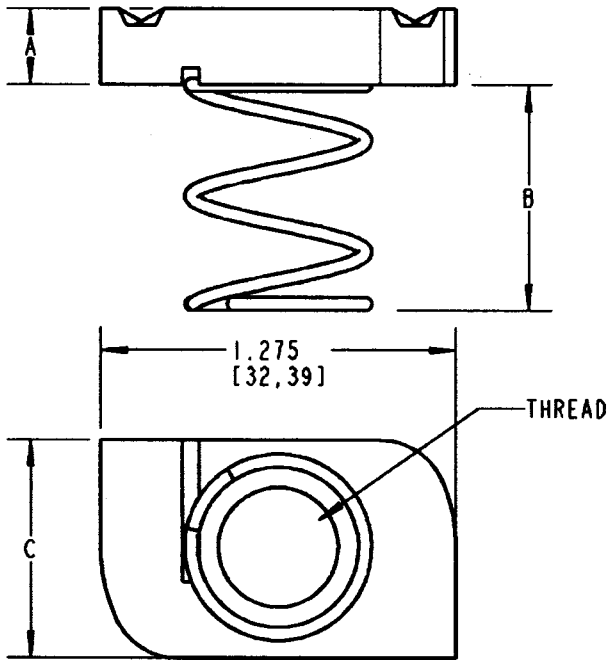


# Kindorf



**NOTES:**

1. MATERIAL:  
    CHANNEL NUT: CARBON STEEL  
    SPRING: HARD DRAWN STEEL WIRE
2. ALL SPRINGS SHALL MECHANICALLY ATTACHED TO CHANNEL NUT
3. ALL SPRING NUTS SHALL BE GALV-KROM\*

B 912 5/16	5/16" UNIVERSAL SPRING NUT	.358 (9.1)	.394 (10.0)	.785 (19.9)	5/16"-16 UNC	GALV-KROM
B 911 5/16	5/16" UNIVERSAL SPRING NUT	.358 (9.1)	1.535 (39.0)	.785 (19.9)	5/16"-16 UNC	GALV-KROM
B 912 1/2	1/2" UNIVERSAL SPRING NUT	.358 (9.1)	.394 (10.0)	.785 (19.9)	1/2"-13 UNC	GALV-KROM
B 911 1/2	1/2" UNIVERSAL SPRING NUT	.358 (9.1)	1.535 (39.0)	.785 (19.9)	1/2"-13 UNC	GALV-KROM
B 912 3/8	3/8" UNIVERSAL SPRING NUT	.358 (9.1)	.394 (10.0)	.785 (19.9)	3/8"-16 UNC	GALV-KROM
B 911 3/8	3/8" UNIVERSAL SPRING NUT	.358 (9.1)	1.535 (39.0)	.785 (19.9)	3/8"-16 UNC	GALV-KROM
B 912 1/4	1/4" UNIVERSAL SPRING NUT	.238 (6.1)	.787 (20.0)	.785 (19.9)	1/4"-20 UNC	GALV-KROM
B 911 1/4	1/4" UNIVERSAL SPRING NUT	.238 (6.1)	1.535 (39.0)	.785 (19.9)	1/4"-20 UNC	GALV-KROM
CAT #	DESCRIPTION	DIM "A"	DIM "B"	DIM "C"	THREAD	FINISH

**GENERAL NOTES**

1. ALL DIMENSIONS ARE FOR REFERENCE ONLY.
2. DIMENSIONS IN BRACKETS [ ] ARE IN METRIC UNITS.

**REVISIONS**

SEE ERN (\*\*\*\*) FOR APPROVAL SIGNATURES & RELEASE DATE.  
PROJECT NO: \*\*\*\*

**Thomas & Betts**  
www.tnb.com

DESCRIPTION:

**UNIVERSAL SPRING NUT**

ORIGINAL PROJECT NO / ( ERN NO )

005D00094 / (2013203)

SHEET NO:

1 OF 1

REV. NO:

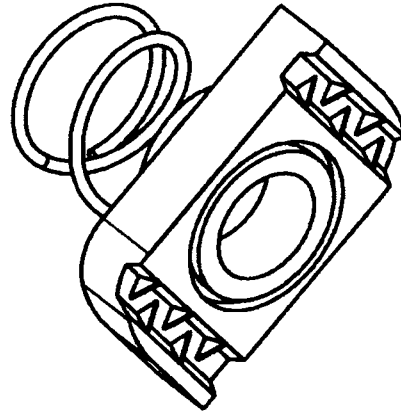
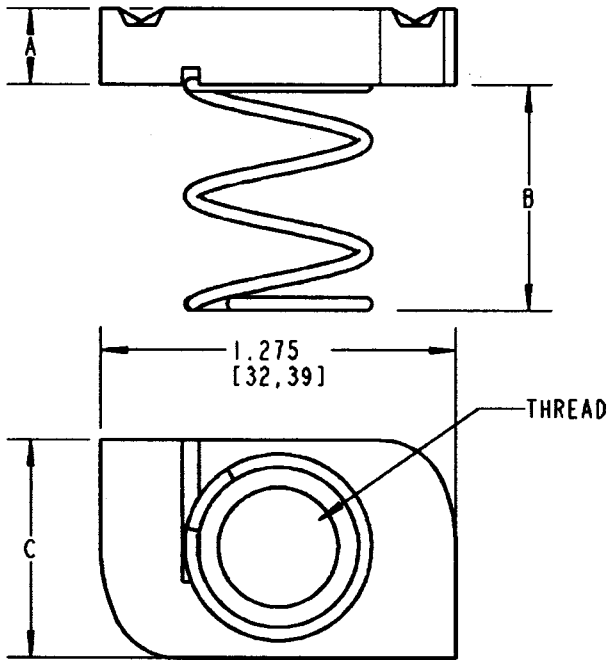
-

DRAWING NO:

**WSD-001060**

THIS DRAWING IS INTENDED FOR DESCRIPTIVE PURPOSES ONLY, AND THE RIGHT IS RESERVED TO DEVIATE FROM ANY OF THE DETAILS SHOWN HEREON.  
COPYRIGHT THOMAS & BETTS CORPORATION. ALL RIGHTS RESERVED. PROPRIETARY AND CONFIDENTIAL.

# Kindorf



**NOTES:**

1. MATERIAL:  
     CHANNEL NUT: CARBON STEEL  
     SPRING: HARD DRAWN STEEL WIRE
2. ALL SPRINGS SHALL MECHANICALLY ATTACHED TO CHANNEL NUT
3. ALL SPRING NUTS SHALL BE GALV-KROM\*

B 912 5/16	5/16" UNIVERSAL SPRING NUT	.358 (9.1)	.394 (10.0)	.785 (19.9)	5/16"-16 UNC	GALV-KROM
B 911 5/16	5/16" UNIVERSAL SPRING NUT	.358 (9.1)	1.535 (39.0)	.785 (19.9)	5/16"-16 UNC	GALV-KROM
B 912 1/2	1/2" UNIVERSAL SPRING NUT	.358 (9.1)	.394 (10.0)	.785 (19.9)	1/2"-13 UNC	GALV-KROM
B 911 1/2	1/2" UNIVERSAL SPRING NUT	.358 (9.1)	1.535 (39.0)	.785 (19.9)	1/2"-13 UNC	GALV-KROM
B 912 3/8	3/8" UNIVERSAL SPRING NUT	.358 (9.1)	.394 (10.0)	.785 (19.9)	3/8"-16 UNC	GALV-KROM
B 911 3/8	3/8" UNIVERSAL SPRING NUT	.358 (9.1)	1.535 (39.0)	.785 (19.9)	3/8"-16 UNC	GALV-KROM
B 912 1/4	1/4" UNIVERSAL SPRING NUT	.238 (6.1)	.787 (20.0)	.785 (19.9)	1/4"-20 UNC	GALV-KROM
B 911 1/4	1/4" UNIVERSAL SPRING NUT	.238 (6.1)	1.535 (39.0)	.785 (19.9)	1/4"-20 UNC	GALV-KROM
CAT #	DESCRIPTION	DIM "A"	DIM "B"	DIM "C"	THREAD	FINISH

**GENERAL NOTES**

1. ALL DIMENSIONS ARE FOR REFERENCE ONLY.
2. DIMENSIONS IN BRACKETS [ ] ARE IN METRIC UNITS.

**REVISIONS**

SEE ERN (\*\*\*\*) FOR APPROVAL SIGNATURES & RELEASE DATE.  
PROJECT NO: \*\*\*\*

**Thomas & Betts**  
www.tnb.com

DESCRIPTION:

**UNIVERSAL SPRING NUT**

ORIGINAL PROJECT NO / ( ERN NO )

005D00094 / (2013203)

SHEET NO:

1 OF 1

REV. NO:

-

DRAWING NO:

**WSD-001060**