

# Class CC and supplemental

## Modular ferrule fuse blocks

RoHS



### Product description:

BCM (Class CC) and BMM (supplemental 13/32 x 1-1/2" / 10x38) modular style fuse blocks with optional covers.

These new Bussmann® series fuse blocks contain multiple features to add versatility, reduce labor and enhance safety of any panel design.

### Features and benefits:

- Available in 1-, 2- and 3-pole configurations to meet stocking requirements.
- Blocks are fully modular with a snap-together design that provides tool-less assembly of multiple pole blocks at point-of-use to reduce inventory and save assembly time and labor.
- DIN-Rail and panel mount versatility allows one product to be used for multiple applications, lowering inventory cost.
- Compact footprint consumes minimal panel space.
- Optional see-through cover enhances safety with IP20 finger-safe protection, lockout/tagout capability and open circuit indication.
- Easy circuit identification with available universal marker labels for fuse block covers.
- Tin-plated bimetallic copper fuse clips deliver superior fatigue resistance compared to traditional spring brass.
- Terminal options to meet application needs including 1/4" spade quick connect terminals for faster panel assembly.
- Patented rejection feature on Class CC fuse blocks reduces temperature rise by up to 30%.

**Specifications**

**Ratings:**

- Volts – 600V
- Amps – up to 30A
- Withstand – 200kA RMS Sym.

**Agency information:**

Class CC BCM

- UL® Listed E14853 - IZLT
- CSA® Certified 47235-6225-01
- CE
- RoHS Compliant
- Conflict mineral free
- REACH declaration available upon request

13/32" x 1-1/2" (Midget) BMM

- UL Recognized E14853 - IZLT2
- CSA Certified 47235-6225-01
- CE
- RoHS compliant
- Conflict mineral free
- REACH declaration available upon request

**Covers:**

- Covers are included in the overall UL Listing/Recognition and CSA Certification
- IP20 finger-safe
- RoHS compliant
- REACH declaration available upon request

**Poles:**

- 1-, 2-, 3-pole units factory assembled
- Single-pole units snap together to create desired number of poles

**Flammability ratings:**

- Blocks – UL 94V0, self-extinguishing
- Covers – UL 94HB, self-extinguishing

**Operating and storage temperature range:**

- Blocks – -40°C to +120°C
- Non indicating covers – -40°C to +120°C
- Indicating covers – -20°C to +90°C\*

\* Indication requires minimum 90Vac/dc and closed circuit to illuminate.

**Materials:**

- Base – Thermoplastic
- Terminals – Tin-plated bimetallic copper
- Covers – Thermoplastic
- Screws and pressure plates – Zinc-plated steel

**Cover Part Numbers:**

- For blocks with quick connect terminals – CVR(I)-CCM-QC
- All other terminal options – CVR(I)-CCM

**Marker labels:**

- Use Bussmann series part number TM26CB

**Recommended Bussmann series fuses:**

Class CC

- Ultimate protection time-delay Low-Peak™ LP-CC, data sheet No. 1023
- Advanced protection time-delay Limitron™ FNO-R, data sheet No. 1014
- Advanced protection fast-acting Limitron KTK-R, data sheet No. 1015

13/32" x 1-1/2" (midget)

- Fast-acting 250Vac BAF, data sheet No. 2011
- Fast-acting 600Vac KTK, data sheet No. 1011
- Fast-acting 600Vac/dc KLM, data sheet No. 2020
- Time-delay 250Vac FNM, data sheet No. 2028
- Time-delay 500Vac FNO, data sheet No. 1012

10x38mm (IEC)

- Class aM and gG/gL IEC industrial fuses, data sheet No. 720115

**Recommended Bussmann series DIN-Rail end stops:**

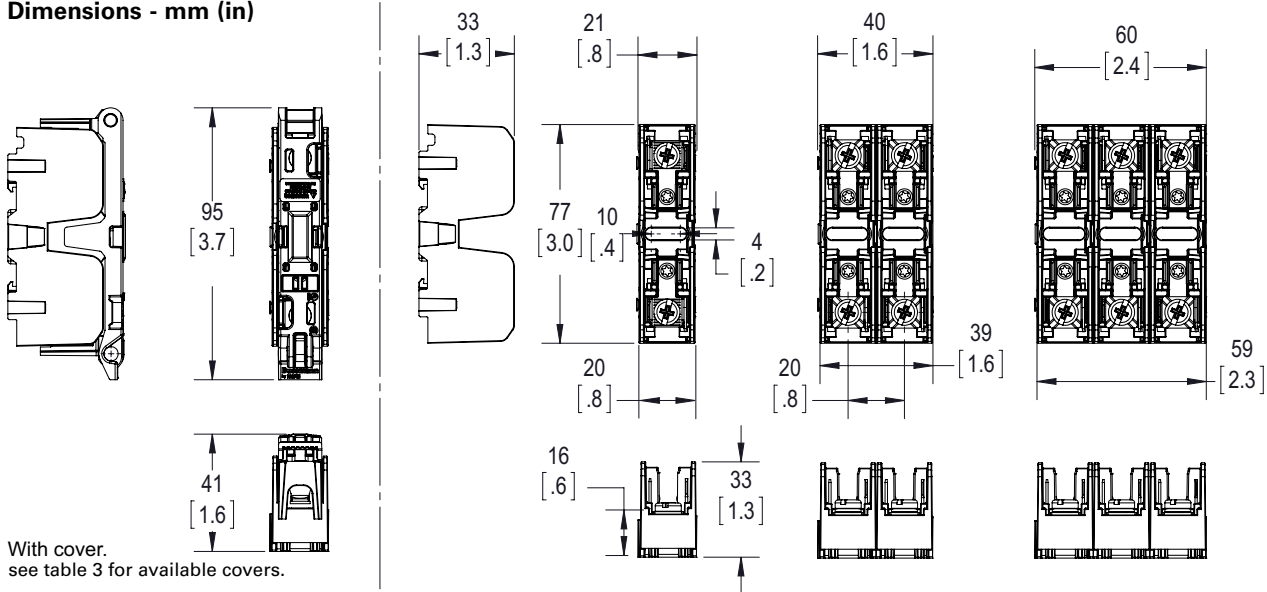
- Part No. BRKT-ND
- Part No. BRKT-NDSCREW2

**Table 1. Catalog numbers**

#10-32 Phil-slot screw	Terminal type					
	Screw with quick connect*	Pressure plate	Pressure plate with quick connect*	Box lug	Poles	Fuse class
BCM603-1S	BCM603-1SQ	BCM603-1P	BCM603-1PQ	BCM603-1C	1	CC
BCM603-2S	BCM603-2SQ	BCM603-2P	BCM603-2PQ	BCM603-2C	2	CC
BCM603-3S	BCM603-3SQ	BCM603-3P	BCM603-3PQ	BCM603-3C	3	CC
—	BMM603-1SQ	—	BMM603-1PQ	BMM603-1C	1	10x38 (13/32"x1-1/2")
—	BMM603-2SQ	—	BMM603-2PQ	BMM603-2C	2	10x38 (13/32"x1-1/2")
—	BMM603-3SQ	—	BMM603-3PQ	BMM603-3C	3	10x38 (13/32"x1-1/2")
—	BCCMM603-3SQ	—	BCCMM603-3PQ	—	3	3-Pole control circuit transformer block 2-pole CC with 1-pole 10x38 (13/32"x1-1/2")

\* ¼" Quick Connect terminal maximum ampacity dependent on female spade connector and wire ratings.

Dimensions - mm (in)



With cover.  
see table 3 for available covers.

Table 2. Terminal specifications

Terminal type	75/90°C AWG type/range	Torque	
		AWG	lb-in (N•m)
Box lug (C)	Cu 2-14 Al 2-8	Cu 2-3	50 (5.6)
		Cu 4-6	45 (5.1)
		Cu 8-14	35 (4.0)
		Al 2-6	50 (5.6)
		Al 8	40 (4.5)
Screw (S)			
Screw/quick connect* (SQ)			
Pressure plate (P)	Cu 10-18	10-18	20 (2.3)
Pressure plate/quick connect* (PQ)			

\* ¼" Quick Connect terminal maximum ampacity dependent on female spade connector and wire ratings.

Table 3. Recommended covers\*

Terminal type	Cover part numbers	
	Indicating	Non indicating
Box lug (C)	CVRI-CCM	CVR-CCM
Screw (S)	CVRI-CCM	CVR-CCM
Screw/quick connect (SQ)	CVRI-CCM-QC	CVR-CCM-QC
Pressure plate (P)	CVRI-CCM	CVR-CCM
Pressure plate/quick connect (PQ)	CVRI-CCM-QC	CVR-CCM-QC

\* For use with 4AWG max conductors.

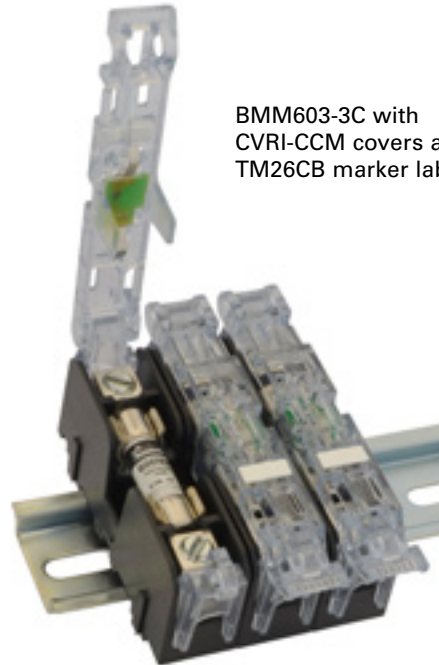
The only controlled copy of this data sheet is the electronic read-only version located on the Eaton network drive. All other copies of this document are by definition uncontrolled. This bulletin is intended to clearly present comprehensive product data and provide technical information that will help the end user with design applications. Eaton reserves the right, without notice, to change design or construction of any products and to discontinue or limit distribution of any products. Eaton also reserves the right to change or update, without notice, any technical information contained in this bulletin. Once a product has been selected, it should be tested by the user in all possible applications.

Eaton  
1000 Eaton Boulevard  
Cleveland, OH 44122  
United States  
Eaton.com

Bussmann Division  
114 Old State Road  
Ellisville, MO 63021  
United States  
Eaton.com/bussmannseries

© 2015 Eaton  
All Rights Reserved  
Printed in USA  
Publication No. 10241 – BUS-SB14605  
December 2015

BMM603-3C with  
CVRI-CCM covers and  
TM26CB marker labels



# Class CC and supplemental

## Modular ferrule fuse blocks

RoHS



### Product description:

BCM (Class CC) and BMM (supplemental 13/32 x 1-1/2" / 10x38) modular style fuse blocks with optional covers.

These new Bussmann® series fuse blocks contain multiple features to add versatility, reduce labor and enhance safety of any panel design.

### Features and benefits:

- Available in 1-, 2- and 3-pole configurations to meet stocking requirements.
- Blocks are fully modular with a snap-together design that provides tool-less assembly of multiple pole blocks at point-of-use to reduce inventory and save assembly time and labor.
- DIN-Rail and panel mount versatility allows one product to be used for multiple applications, lowering inventory cost.
- Compact footprint consumes minimal panel space.
- Optional see-through cover enhances safety with IP20 finger-safe protection, lockout/tagout capability and open circuit indication.
- Easy circuit identification with available universal marker labels for fuse block covers.
- Tin-plated bimetallic copper fuse clips deliver superior fatigue resistance compared to traditional spring brass.
- Terminal options to meet application needs including 1/4" spade quick connect terminals for faster panel assembly.
- Patented rejection feature on Class CC fuse blocks reduces temperature rise by up to 30%.

**Specifications**

**Ratings:**

- Volts – 600V
- Amps – up to 30A
- Withstand – 200kA RMS Sym.

**Agency information:**

Class CC BCM

- UL® Listed E14853 - IZLT
- CSA® Certified 47235-6225-01
- CE
- RoHS Compliant
- Conflict mineral free
- REACH declaration available upon request

13/32" x 1-1/2" (Midget) BMM

- UL Recognized E14853 - IZLT2
- CSA Certified 47235-6225-01
- CE
- RoHS compliant
- Conflict mineral free
- REACH declaration available upon request

**Covers:**

- Covers are included in the overall UL Listing/Recognition and CSA Certification
- IP20 finger-safe
- RoHS compliant
- REACH declaration available upon request

**Poles:**

- 1-, 2-, 3-pole units factory assembled
- Single-pole units snap together to create desired number of poles

**Flammability ratings:**

- Blocks – UL 94V0, self-extinguishing
- Covers – UL 94HB, self-extinguishing

**Operating and storage temperature range:**

- Blocks – -40°C to +120°C
- Non indicating covers – -40°C to +120°C
- Indicating covers – -20°C to +90°C\*

\* Indication requires minimum 90Vac/dc and closed circuit to illuminate.

**Materials:**

- Base – Thermoplastic
- Terminals – Tin-plated bimetallic copper
- Covers – Thermoplastic
- Screws and pressure plates – Zinc-plated steel

**Cover Part Numbers:**

- For blocks with quick connect terminals – CVR(I)-CCM-QC
- All other terminal options – CVR(I)-CCM

**Marker labels:**

- Use Bussmann series part number TM26CB

**Recommended Bussmann series fuses:**

Class CC

- Ultimate protection time-delay Low-Peak™ LP-CC, data sheet No. 1023
- Advanced protection time-delay Limitron™ FNO-R, data sheet No. 1014
- Advanced protection fast-acting Limitron KTK-R, data sheet No. 1015

13/32" x 1-1/2" (midget)

- Fast-acting 250Vac BAF, data sheet No. 2011
- Fast-acting 600Vac KTK, data sheet No. 1011
- Fast-acting 600Vac/dc KLM, data sheet No. 2020
- Time-delay 250Vac FNM, data sheet No. 2028
- Time-delay 500Vac FNO, data sheet No. 1012

10x38mm (IEC)

- Class aM and gG/gL IEC industrial fuses, data sheet No. 720115

**Recommended Bussmann series DIN-Rail end stops:**

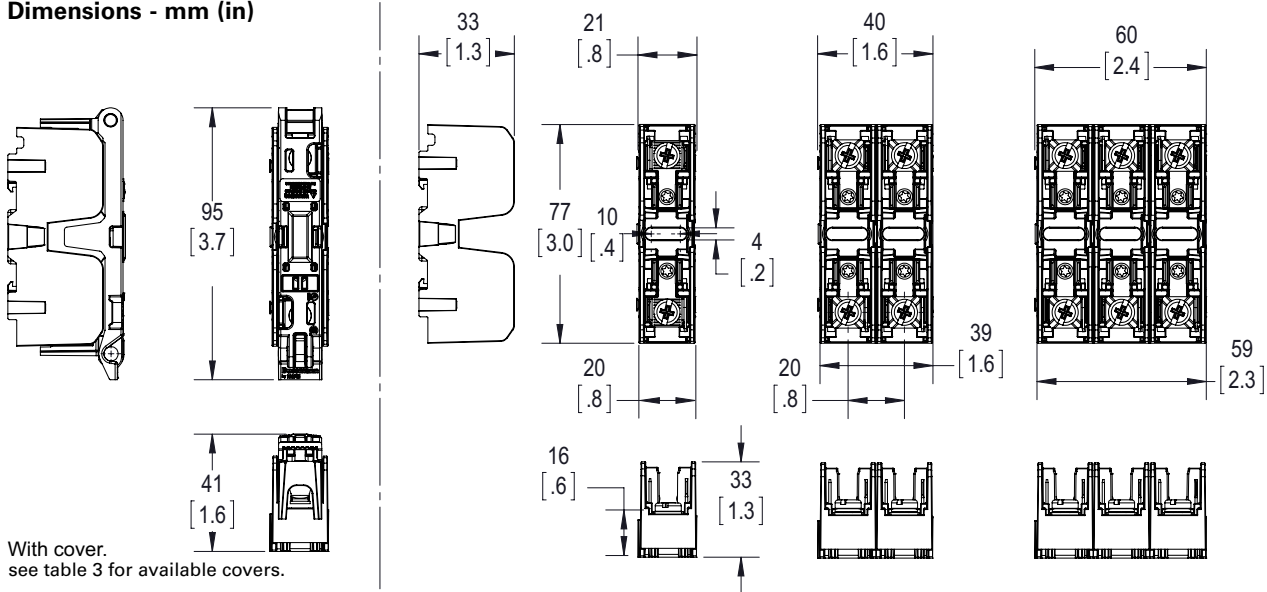
- Part No. BRKT-ND
- Part No. BRKT-NDSCREW2

**Table 1. Catalog numbers**

#10-32 Phil-slot screw	Terminal type			Box lug	Poles	Fuse class
	Screw with quick connect*	Pressure plate	Pressure plate with quick connect*			
BCM603-1S	BCM603-1SQ	BCM603-1P	BCM603-1PQ	BCM603-1C	1	CC
BCM603-2S	BCM603-2SQ	BCM603-2P	BCM603-2PQ	BCM603-2C	2	CC
BCM603-3S	BCM603-3SQ	BCM603-3P	BCM603-3PQ	BCM603-3C	3	CC
—	BMM603-1SQ	—	BMM603-1PQ	BMM603-1C	1	10x38 (13/32"x1-1/2")
—	BMM603-2SQ	—	BMM603-2PQ	BMM603-2C	2	10x38 (13/32"x1-1/2")
—	BMM603-3SQ	—	BMM603-3PQ	BMM603-3C	3	10x38 (13/32"x1-1/2")
—	BCCMM603-3SQ	—	BCCMM603-3PQ	—	3	3-Pole control circuit transformer block 2-pole CC with 1-pole 10x38 (13/32"x1-1/2")

\* ¼" Quick Connect terminal maximum ampacity dependent on female spade connector and wire ratings.

Dimensions - mm (in)



With cover.  
see table 3 for available covers.

Table 2. Terminal specifications

Terminal type	75/90°C AWG type/range	Torque	
		AWG	lb-in (N•m)
Box lug (C)	Cu 2-14 Al 2-8	Cu 2-3	50 (5.6)
		Cu 4-6	45 (5.1)
		Cu 8-14	35 (4.0)
		Al 2-6	50 (5.6)
		Al 8	40 (4.5)
Screw (S)			
Screw/quick connect* (SQ)			
Pressure plate (P)	Cu 10-18	10-18	20 (2.3)
Pressure plate/quick connect* (PQ)			

\* ¼" Quick Connect terminal maximum ampacity dependent on female spade connector and wire ratings.

Table 3. Recommended covers\*

Terminal type	Cover part numbers	
	Indicating	Non indicating
Box lug (C)	CVRI-CCM	CVR-CCM
Screw (S)	CVRI-CCM	CVR-CCM
Screw/quick connect (SQ)	CVRI-CCM-QC	CVR-CCM-QC
Pressure plate (P)	CVRI-CCM	CVR-CCM
Pressure plate/quick connect (PQ)	CVRI-CCM-QC	CVR-CCM-QC

\* For use with 4AWG max conductors.

The only controlled copy of this data sheet is the electronic read-only version located on the Eaton network drive. All other copies of this document are by definition uncontrolled. This bulletin is intended to clearly present comprehensive product data and provide technical information that will help the end user with design applications. Eaton reserves the right, without notice, to change design or construction of any products and to discontinue or limit distribution of any products. Eaton also reserves the right to change or update, without notice, any technical information contained in this bulletin. Once a product has been selected, it should be tested by the user in all possible applications.

Eaton  
1000 Eaton Boulevard  
Cleveland, OH 44122  
United States  
Eaton.com

Bussmann Division  
114 Old State Road  
Ellisville, MO 63021  
United States  
Eaton.com/bussmannseries

© 2015 Eaton  
All Rights Reserved  
Printed in USA  
Publication No. 10241 – BUS-SB14605  
December 2015

BMM603-3C with  
CVRI-CCM covers and  
TM26CB marker labels

