

General Accessories

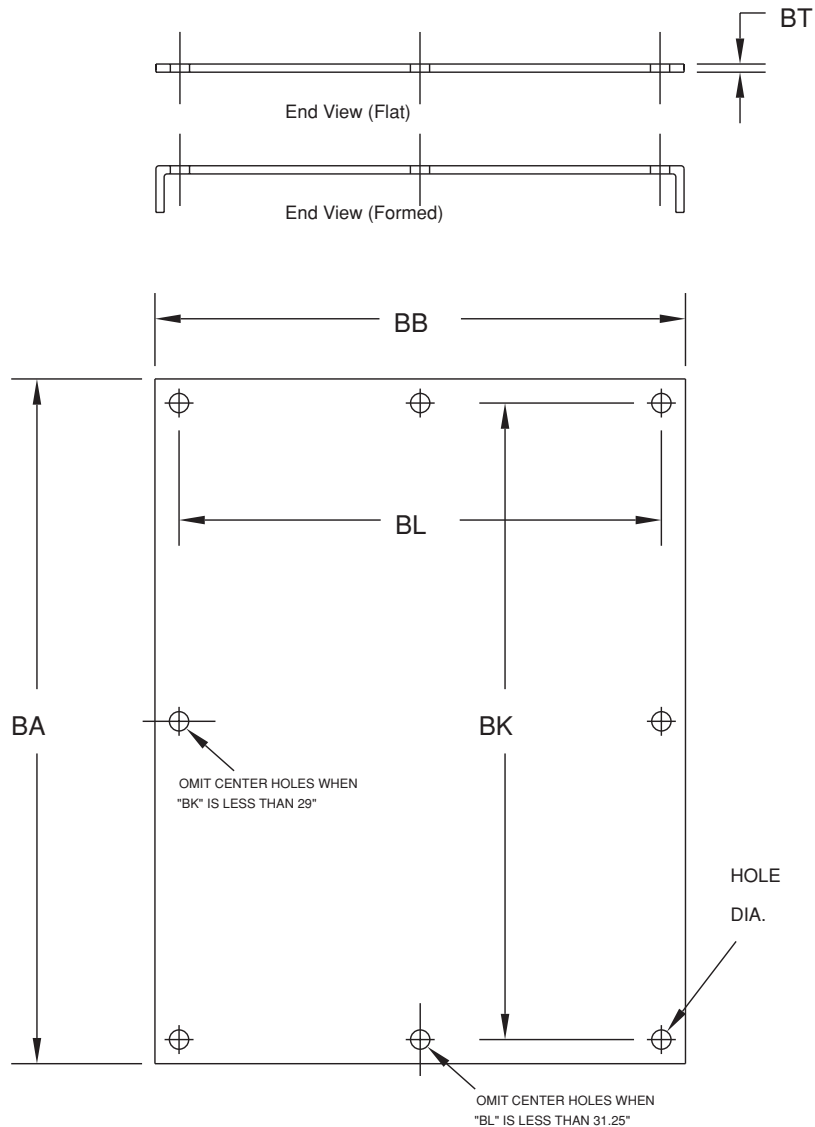
Back Panels



Back Panels

| CATALOG SUFFIX | MATERIAL | GRADE | FINISH | MISC. |
|----------------|-----------------|-----------|----------------------|---------|
| AL | Aluminum | 3003 H14 | None | |
| SS | Stainless Steel | 304 | None | |
| FG | Fiberglass | | | UL94-V0 |
| CS | Carbon Steel | 1008/1010 | Painted White Enamel | |

Note: Available for all product families unless otherwise specified



Enclosure Specific Accessories

Typical Series Designation: N Series Back Panel Dimensions

| SIZE ID NUMBER | BA | BB | BK | BL | BT (AL) | BT (SS) | BT (CS) | PANEL TYPE | HOLE DIA. | # OF HOLES | Weight (Aluminum) Suffix: AL | Weight (Stainless) Suffix: SS | Weight (Carbon Steel) Suffix: CS |
|----------------|-----------------|----------------|-----------------|----------------|-------------|-------------|-------------|------------|-------------|------------|---------------------------------|----------------------------------|-------------------------------------|
| BP1610 | 13.00 (330) | 8.50 (216) | 12.00 (305) | 7.50 (191) | .080 (2) | .060 (2) | .105 (3) | Flat | 0.31 (8) | 4 | 1 lb | 1.5 lbs | 3.3 lbs |
| BP2016 | 17.00 (432) | 13.00 (330) | 15.25 (387) | 11.25 (286) | .080 (2) | .060 (2) | .105 (3) | Flat | .50 (13) | 4 | 2 lbs | 3.7 lbs | 6.7 lbs |
| BP2020 | 17.00 (432) | 17.00 (432) | 15.25 (387) | 15.25 (387) | .080 (2) | .060 (2) | .105 (3) | Flat | .50 (13) | 4 | 2.5 lbs | 4 lbs | 5.7 lbs |
| BP2412 | 21.00 (533) | 9.00 (229) | 19.25 (489) | 7.25 (184) | .080 (2) | .060 (2) | .105 (3) | Flat | .50 (13) | 4 | 1.5 lbs | 5 lbs | 8.7 lbs |
| BP2420 | 21.00 (533) | 17.00 (432) | 19.25 (489) | 15.25 (387) | .13 (3) | .060 (2) | .105 (3) | Flat | .50 (13) | 4 | 4.5 lbs | 6 lbs | 10.8 lbs |
| BP2424 | 21.00 (533) | 21.00 (533) | 19.25 (489) | 19.25 (489) | .13 (3) | .060 (2) | .105 (3) | Flat | .50 (13) | 4 | 5.5 lbs | 7.4 lbs | 13.4 lbs |
| BP3020 | 27.00 (686) | 17.00 (432) | 25.25 (641) | 15.25 (387) | .13 (3) | .060 (2) | .105 (3) | Flat | .50 (13) | 4 | 5.8 lbs | 7.7 lbs | 14 lbs |
| BP3024 | 27.00 (686) | 21.00 (533) | 25.25 (641) | 19.25 (489) | .13 (3) | .060 (2) | .105 (3) | Flat | .50 (13) | 4 | 7 lbs | 9.6 lbs | 17 lbs |
| BP3630 | 33.00 (838) | 27.00 (686) | 31.25 (794) | 25.25 (641) | .13 (3) | .060 (2) | .105 (3) | Flat | .50 (13) | 4 | 11 lbs | 15.2 lbs | 27 lbs |
| BP3636 | 31.00 (787) | 33.00 (838) | 29.00 (737) | 31.00 (787) | .13 (3) | .060 (2) | .105 (3) | Formed | .50 (13) | 6 | 14 lbs | 18.5 lbs | 33 lbs |
| BP4836 | 45.00 (1143) | 33.00 (838) | 43.25 (1099) | 31.25 (794) | .13 (3) | .060 (2) | .105 (3) | Formed | .50 (13) | 8 | 20 lbs | N/A | 47 lbs |
| BP6036 | 57.00 (1448) | 33.00 (838) | 55.25 (1403) | 31.25 (794) | .13 (3) | .105 (3) | .105 (3) | Formed | .50 (13) | 8 | 25 lbs | N/A | 60 lbs |
| BP7225 | 64.00 (1626) | 21.00 (533) | 62.00 (1575) | 19.00 (483) | .13 (3) | .105 (3) | .105 (3) | Formed | .50 (13) | 10 | 18.5 lbs | N/A | 43 lbs |
| * BP7249 | 64.00 (1626) | 22.00 (559) | 62.00 (1575) | 20.00 (508) | .13 (3) | .105 (3) | .105 (3) | Formed | .50 (13) | 10 | 38 lbs | N/A | 86 lbs |
| * BP7260 | 64.00 (1626) | 27.50 (698) | 62.00 (1575) | 25.50 (648) | .13 (3) | .105 (3) | .105 (3) | Formed | .50 (13) | 10 | 46 lbs | N/A | 109 lbs |

* Set of two panels.

Caution: Metric units are for reference; do not convert.

Note: When specifying combine Size ID Number and Material Suffix

Example: BP1610CS for 16x10 Carbon Steel Back Panel

General Accessories

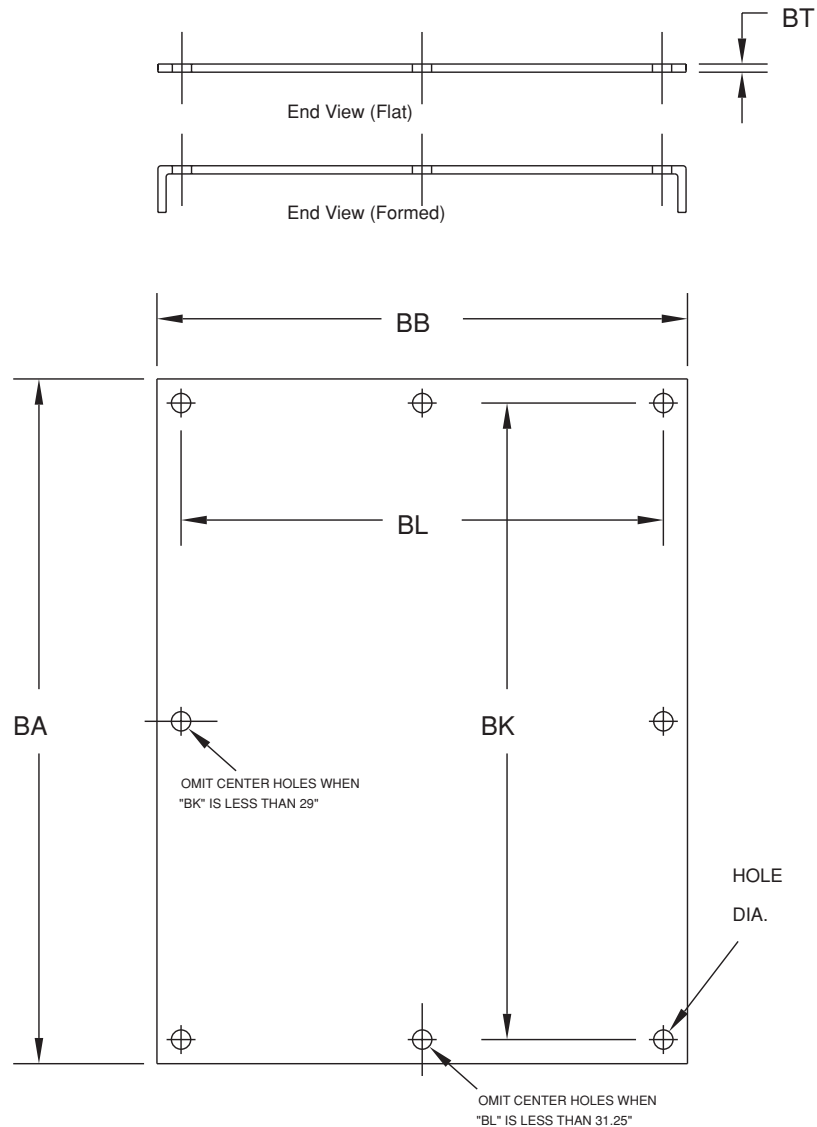
Back Panels



Back Panels

| CATALOG SUFFIX | MATERIAL | GRADE | FINISH | MISC. |
|----------------|-----------------|-----------|----------------------|---------|
| AL | Aluminum | 3003 H14 | None | |
| SS | Stainless Steel | 304 | None | |
| FG | Fiberglass | | | UL94-V0 |
| CS | Carbon Steel | 1008/1010 | Painted White Enamel | |

Note: Available for all product families unless otherwise specified



Enclosure Specific Accessories

Typical Series Designation: N Series Back Panel Dimensions

| SIZE ID NUMBER | BA | BB | BK | BL | BT (AL) | BT (SS) | BT (CS) | PANEL TYPE | HOLE DIA. | # OF HOLES | Weight (Aluminum) Suffix: AL | Weight (Stainless) Suffix: SS | Weight (Carbon Steel) Suffix: CS |
|----------------|-----------------|----------------|-----------------|----------------|-------------|-------------|-------------|------------|-------------|------------|---------------------------------|----------------------------------|-------------------------------------|
| BP1610 | 13.00 (330) | 8.50 (216) | 12.00 (305) | 7.50 (191) | .080 (2) | .060 (2) | .105 (3) | Flat | 0.31 (8) | 4 | 1 lb | 1.5 lbs | 3.3 lbs |
| BP2016 | 17.00 (432) | 13.00 (330) | 15.25 (387) | 11.25 (286) | .080 (2) | .060 (2) | .105 (3) | Flat | .50 (13) | 4 | 2 lbs | 3.7 lbs | 6.7 lbs |
| BP2020 | 17.00 (432) | 17.00 (432) | 15.25 (387) | 15.25 (387) | .080 (2) | .060 (2) | .105 (3) | Flat | .50 (13) | 4 | 2.5 lbs | 4 lbs | 5.7 lbs |
| BP2412 | 21.00 (533) | 9.00 (229) | 19.25 (489) | 7.25 (184) | .080 (2) | .060 (2) | .105 (3) | Flat | .50 (13) | 4 | 1.5 lbs | 5 lbs | 8.7 lbs |
| BP2420 | 21.00 (533) | 17.00 (432) | 19.25 (489) | 15.25 (387) | .13 (3) | .060 (2) | .105 (3) | Flat | .50 (13) | 4 | 4.5 lbs | 6 lbs | 10.8 lbs |
| BP2424 | 21.00 (533) | 21.00 (533) | 19.25 (489) | 19.25 (489) | .13 (3) | .060 (2) | .105 (3) | Flat | .50 (13) | 4 | 5.5 lbs | 7.4 lbs | 13.4 lbs |
| BP3020 | 27.00 (686) | 17.00 (432) | 25.25 (641) | 15.25 (387) | .13 (3) | .060 (2) | .105 (3) | Flat | .50 (13) | 4 | 5.8 lbs | 7.7 lbs | 14 lbs |
| BP3024 | 27.00 (686) | 21.00 (533) | 25.25 (641) | 19.25 (489) | .13 (3) | .060 (2) | .105 (3) | Flat | .50 (13) | 4 | 7 lbs | 9.6 lbs | 17 lbs |
| BP3630 | 33.00 (838) | 27.00 (686) | 31.25 (794) | 25.25 (641) | .13 (3) | .060 (2) | .105 (3) | Flat | .50 (13) | 4 | 11 lbs | 15.2 lbs | 27 lbs |
| BP3636 | 31.00 (787) | 33.00 (838) | 29.00 (737) | 31.00 (787) | .13 (3) | .060 (2) | .105 (3) | Formed | .50 (13) | 6 | 14 lbs | 18.5 lbs | 33 lbs |
| BP4836 | 45.00 (1143) | 33.00 (838) | 43.25 (1099) | 31.25 (794) | .13 (3) | .060 (2) | .105 (3) | Formed | .50 (13) | 8 | 20 lbs | N/A | 47 lbs |
| BP6036 | 57.00 (1448) | 33.00 (838) | 55.25 (1403) | 31.25 (794) | .13 (3) | .105 (3) | .105 (3) | Formed | .50 (13) | 8 | 25 lbs | N/A | 60 lbs |
| BP7225 | 64.00 (1626) | 21.00 (533) | 62.00 (1575) | 19.00 (483) | .13 (3) | .105 (3) | .105 (3) | Formed | .50 (13) | 10 | 18.5 lbs | N/A | 43 lbs |
| * BP7249 | 64.00 (1626) | 22.00 (559) | 62.00 (1575) | 20.00 (508) | .13 (3) | .105 (3) | .105 (3) | Formed | .50 (13) | 10 | 38 lbs | N/A | 86 lbs |
| * BP7260 | 64.00 (1626) | 27.50 (698) | 62.00 (1575) | 25.50 (648) | .13 (3) | .105 (3) | .105 (3) | Formed | .50 (13) | 10 | 46 lbs | N/A | 109 lbs |

* Set of two panels.

Caution: Metric units are for reference; do not convert.

Note: When specifying combine Size ID Number and Material Suffix

Example: BP1610CS for 16x10 Carbon Steel Back Panel