

Project:

Type:

Prepared By:

Date:



UPC: 019813750071



### Features and Benefits

Produces rich and vibrant colors >90CRI

Energy efficient replacement for incandescent and halogen Reflector lamps

Constructed from durable plastic which lowers risk of breakage

Rated for use in enclosed and open fixtures in dry or damp locations

Frosted lens produces smooth diffuse light

Longer lifespan compared to legacy equivalents minimizes replacement and maintenance costs

ENERGY STAR Compliant, Title 20 Compliant

Dimmable with common dimmer types (check compatibility list)

### Technical Specifications

#### Performance

##### Product Type:

Reflector

##### Input Wattage:

10W

##### Lumens (Nominal):

700

##### Efficacy:

70 lm/W

##### Color Accuracy:

90 CRI

##### Color Temperature:

3000K

##### Dimmable:

Yes, down to 10%

##### L70 Lifespan:

25,000-Hour LED lifespan based on IES LM-70 results

#### Construction

##### Bulb Shape:

BR30

##### Enclosure Material:

Plastic

##### Housing Finish:

White

##### Lens Finish:

Frosted

##### Base Type:

E26

##### Beam Angle:

120°

#### Electrical

##### Power Factor:

>0.9

##### Input Voltage:

120V

##### Operating Frequency:

60 Hz

## Technical Specifications (continued)

### Electrical

#### Operating Temperature:

-20°C - 40°C

### Other

#### Equivalency:

65W

#### Technology EQ:

Incandescent

#### Warranty (Years):

RAB warrants that our LED products will be free from defects in materials and workmanship for a period of four (4) years from the date of delivery to the end user, including coverage of light output, color stability, driver performance and fixture finish. RAB's warranty is subject to all terms and conditions found at [rablighting.com/warranty](http://rablighting.com/warranty).

### Compliance

#### UL Listed:

Yes

#### Environment/Fixture Rating:

Damp / Enclosed

#### Energy Star ID:

2328153

#### T20 Compliant:

Yes, Title 20 Tier 2

#### T24 JA8 Compliant:

Complies with Title 24 Appendix JA8

#### RoHS:

Mercury and UV free. RoHS-compliant components.

#### FCC:

Complies with Part 15 of the FCC Rules

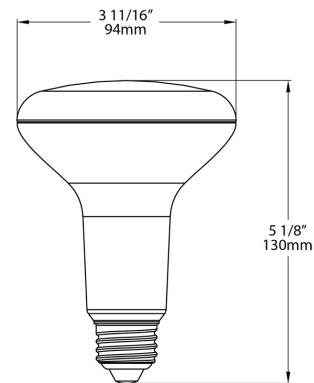
#### Model Number:

BR30-10-930-DIM

## Case and Pallet Dimensions

	QTY	LENGTH (in)	WIDTH (in)	HEIGHT (in)
CASE	6	12	8	6.5
PALLET	840	47.9	40	39

## Dimension



## Light Distribution

