

<b>Project:</b>	<b>Type:</b>	<b>Prepared By:</b>	<b>Date:</b>
-----------------	--------------	---------------------	--------------



### Features and Benefits

- Energy efficient replacement for incandescent and halogen reflector lamps
- Constructed from durable plastic which lowers risk of breakage
- Rated for use in enclosed and open fixtures in dry or damp locations
- Frosted lens produces smooth diffuse light
- Longer lifespan compared to legacy equivalents minimizes replacement and maintenance costs
- ENERGY STAR Compliant
- Dimmable with common dimmer types (see Dimmer Compatibility List)

Technical Specifications		
<b>Performance</b> <hr/> <b>Product Type:</b> Reflector  <b>Input Wattage:</b> 13W  <b>Lumens:</b> 950lm  <b>Efficacy:</b> 73lm/W  <b>L70 Lifespan:</b> 25,000-Hour LED lifespan based on IES LM-70 results  <b>Wattage Equivalency:</b> 75W  <b>LED Characteristics</b> <hr/> <b>Color Accuracy (CRI):</b> 80  <b>Color Temperature:</b> 3000K	<b>Electrical</b> <hr/> <b>Power Factor:</b> >0.9  <b>Dimmable:</b> Yes, down to 20%  <b>Input Voltage:</b> 120V  <b>Operating Temperature:</b> -20°C to 40°C  <b>Construction</b> <hr/> <b>Bulb Shape:</b> BR40  <b>Enclosure Material:</b> Plastic  <b>Housing Finish:</b> White  <b>Lens Finish:</b> Frosted	<b>Installation</b> <hr/> <b>Base Type:</b> E26 Edison  <b>Optical</b> <hr/> <b>Beam Angle:</b> 110°  <b>Other</b> <hr/> <b>Technology EQ:</b> Incandescent  <b>Compliance</b> <hr/> <b>UL Listed:</b> Yes  <b>Environment:</b> Damp / Enclosed  <b>Energy Star ID:</b> 2329453  <b>Rohs:</b> Mercury and UV free. RoHS-compliant components.  <b>FCC:</b> Complies with Part 15B of the FCC Rules



## Technical Specifications (continued)

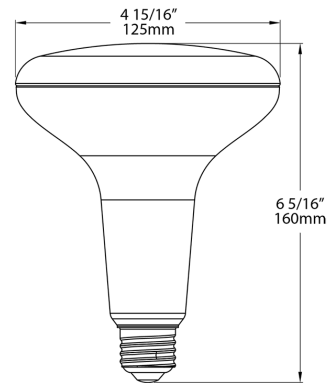
Certification Model Number:

BR40-13-830-DIM

### Case and Pallet Dimensions

	QTY	LENGTH (in)	WIDTH (in)	HEIGHT (in)
CASE	6	15.8	10.6	7
PALLET	360	47.2	37	34.8

### Dimension



### Light Distribution

