

## BRC6M cable support

One of the best multiple MC cable supports available today



- Improved design — stiffer and stronger than alternative options
- Precise positioning of cables — unique design ensures cables are positioned 1 1/4" from the face of the stud
- Greater capacity — supports up to six runs of MC cable
- Stronger — stiffening ribs and more material
- Easier to adjust than alternative designs — zip tie locking tab allows trouble-free securing of cables
- Can be push mounted to stud for positioning
- Securely attaches to stud using only one screw — 50% less than other designs
- Longer tabs! Easier to lock-down! No crimping!
- Patent pending design

UPC	Catalog #	Stud Size
79903843761	BRC6M	1 1/4"
79903843762	BRC6M-1	All

Cable Type	Size	Cable Capacity
Non-Metallic Cable (NM)	14/2, 14/3, 12/2, 12/3, 10/2, 10/3, 8/2 w/ground	8
	8/3, 6/2 w/ground	6
Metal Clad Cable (MC)	14/2, 14/3, 14/4, 12/2, 12/3, 12/4, 10/2 w/ ground	6
	10/3, 10/4 w/ground	5
Armored Cable (AC)	14/2, 14/3, 14/4, 12/2, 12/3, 12/4, 10/2 w/ ground	6
	10/3, 10/4 w/ ground	5
Flexible Conduit (BX)	5/16"	6
	3/8"	5



Push Support onto Stud



Support stays mounted to stud while securely attached with one screw



Insert Cables to be secured



Once cables are inserted, wrap zip-tie around the end of the support to secure the cables

# EATON

Powering Business Worldwide

**Eaton**  
1000 Eaton Boulevard  
Cleveland, OH 44122  
United States  
Eaton.com

B-Line Division  
509 West Monroe Street  
Highland, IL 62249  
United States  
Phone: 800-851-7415

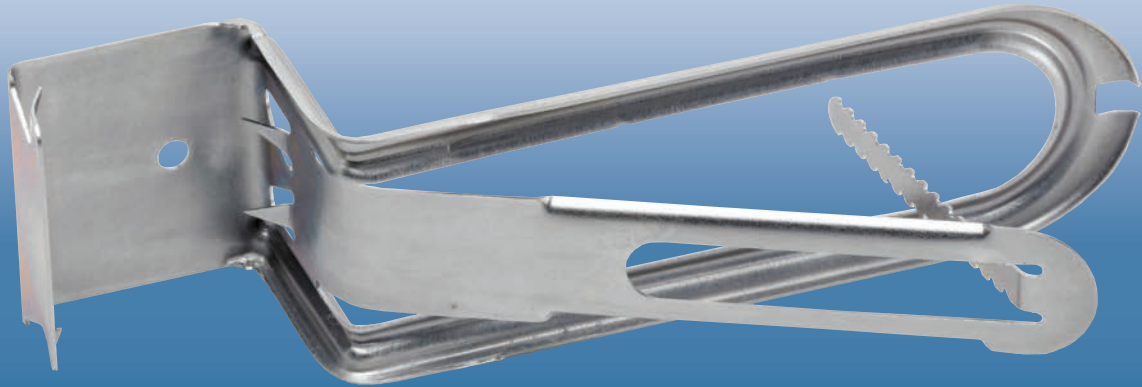
[www.cooperbline.com/brc6m](http://www.cooperbline.com/brc6m)  
© 2015 Eaton  
All Rights Reserved  
Printed in USA  
Publication No. SA306010EN  
December 2015 BA138F

Follow us on social media to get the latest product and support information.



Eaton is a registered trademark.

All other trademarks are property of their respective owners.



## BRC6M cable support

One of the best multiple MC cable supports available today



- Improved design — stiffer and stronger than alternative options
- Precise positioning of cables — unique design ensures cables are positioned 1 1/4" from the face of the stud
- Greater capacity — supports up to six runs of MC cable
- Stronger — stiffening ribs and more material
- Easier to adjust than alternative designs — zip tie locking tab allows trouble-free securing of cables
- Can be push mounted to stud for positioning
- Securely attaches to stud using only one screw — 50% less than other designs
- Longer tabs! Easier to lock-down! No crimping!
- Patent pending design

UPC	Catalog #	Stud Size
79903843761	BRC6M	1 1/4"
79903843762	BRC6M-1	All

Cable Type	Size	Cable Capacity
Non-Metallic Cable (NM)	14/2, 14/3, 12/2, 12/3, 10/2, 10/3, 8/2 w/ground	8
	8/3, 6/2 w/ground	6
Metal Clad Cable (MC)	14/2, 14/3, 14/4, 12/2, 12/3, 12/4, 10/2 w/ ground	6
	10/3, 10/4 w/ground	5
Armored Cable (AC)	14/2, 14/3, 14/4, 12/2, 12/3, 12/4, 10/2 w/ ground	6
	10/3, 10/4 w/ ground	5
Flexible Conduit (BX)	5/16"	6
	3/8"	5



Push Support onto Stud



Support stays mounted to stud while securely attached with one screw



Insert Cables to be secured



Once cables are inserted, wrap zip-tie around the end of the support to secure the cables

# EATON

Powering Business Worldwide

**Eaton**  
1000 Eaton Boulevard  
Cleveland, OH 44122  
United States  
Eaton.com

B-Line Division  
509 West Monroe Street  
Highland, IL 62249  
United States  
Phone: 800-851-7415

[www.cooperbline.com/brc6m](http://www.cooperbline.com/brc6m)  
© 2015 Eaton  
All Rights Reserved  
Printed in USA  
Publication No. SA306010EN  
December 2015 BA138F

Follow us on social media to get the latest product and support information.



Eaton is a registered trademark.

All other trademarks are property of their respective owners.