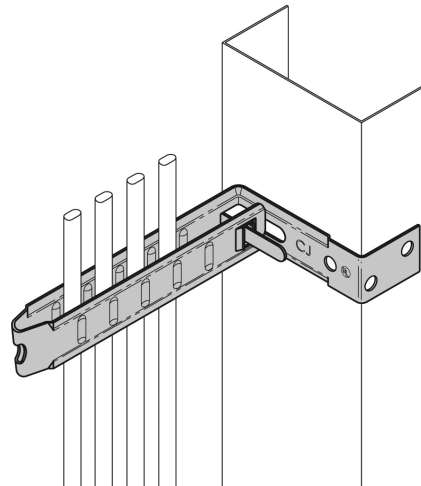
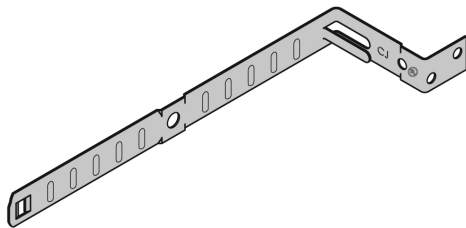


BRCJ cable support



UPC/Part Number	Catalog Number	Description	Box Qty.
79903862843	BRCJ	Up to ¾" FMC	100



Surface	Cable Type	Cable Size	Cable/Fastener
Wood	Non-Metallic	14-2, 12-2, 10-2, 14-3, 12-3 and 10-3 w/ground	Max 6
Wood	Non-Metallic	8-2 and 6-2 w/ ground	Max 4
Metal Stud	Metal Clad (MC)	14-2, 12-2, 10-2, 14-3, 12-3, 10-3, 14-4, 12-4 and 10-4 w/ground	Max 4
Furring Strip and Hat Channel	Armored Cable (AC)	12-2, 10-2, 8-2, 14-3, 12-3, 10-3, 14-4, 12-4 and 10-4 w/ground	Max 4
Furring Strip and Hat Channel	Flexible Conduit (BX)	5/16" and 3/8"	Max 4
Metal Stud (Canada only)	Non-Metallic Sheathed Cable	14-4, 12-2, 10-2, 14-3, 12-3, and 10-3 w/ground	Max 4



Eaton
1000 Eaton Boulevard
Cleveland, OH 44122
United States
Eaton.com

© 2015 Eaton
All Rights Reserved
Printed in USA
Publication No. IL306001EN
July 2015 FIS-173

B-Line Division
509 West Monroe Street
Highland, IL 62249
United States
Phone: 800-851-7415
www.cooperbline.com/contactus

Eaton is a registered trademark

All other trademarks are property of their respective owners.

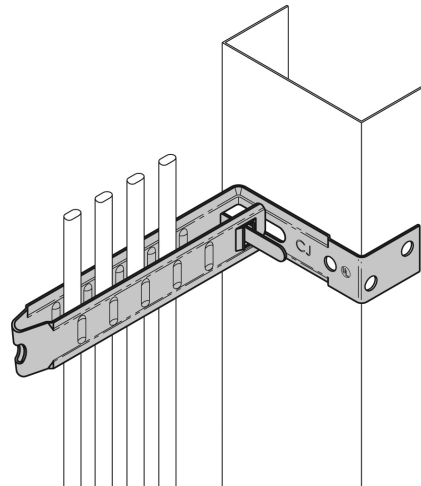
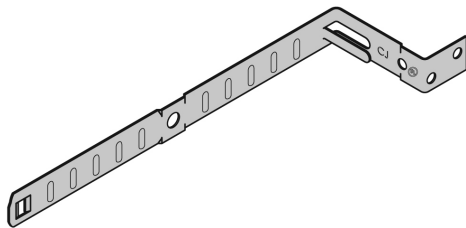
Follow us on social media to get the latest product and support information.



BRCJ cable support



UPC/Part Number	Catalog Number	Description	Box Qty.
79903862843	BRCJ	Up to ¾" FMC	100



Surface	Cable Type	Cable Size	Cable/Fastener
Wood	Non-Metallic	14-2, 12-2, 10-2, 14-3, 12-3 and 10-3 w/ground	Max 6
Wood	Non-Metallic	8-2 and 6-2 w/ ground	Max 4
Metal Stud	Metal Clad (MC)	14-2, 12-2, 10-2, 14-3, 12-3, 10-3, 14-4, 12-4 and 10-4 w/ground	Max 4
Furring Strip and Hat Channel	Armored Cable (AC)	12-2, 10-2, 8-2, 14-3, 12-3, 10-3, 14-4, 12-4 and 10-4 w/ground	Max 4
Furring Strip and Hat Channel	Flexible Conduit (BX)	5/16" and 3/8"	Max 4
Metal Stud (Canada only)	Non-Metallic Sheathed Cable	14-4, 12-2, 10-2, 14-3, 12-3, and 10-3 w/ground	Max 4



Eaton
1000 Eaton Boulevard
Cleveland, OH 44122
United States
Eaton.com

© 2015 Eaton
All Rights Reserved
Printed in USA
Publication No. IL306001EN
July 2015 FIS-173

B-Line Division
509 West Monroe Street
Highland, IL 62249
United States
Phone: 800-851-7415
www.cooperbline.com/contactus

Eaton is a registered trademark

All other trademarks are property of their respective owners.

Follow us on social media to get the latest product and support information.

