



## Conduit Bodies — O-Z/Gedney

# WESCO® delivers

WESCO Part Nos. shown in **BOLD** are in stock and ready to ship.

### O-Z/Gedney Set Screw Type Aluminum Conduit Bodies — Types LB and T

For use with EMT conduit

- Includes a slotted hex head steel hardened cup-point set screw
- Tapered, threaded hubs
- Made of copper-free aluminum with aluminum enamel
- UL® Listed and CSA Certified

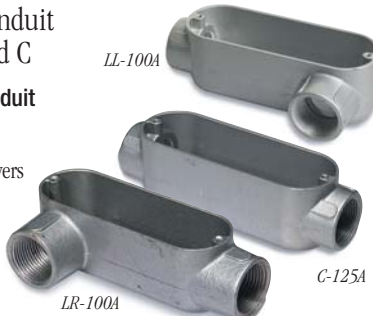


WESCO Part No.	Mr.'s Model No.	Configuration	Hub Size (in.)	No. of Hubs	Hub Placement	Access Opening
<b>Type LB Conduit Bodies</b>						
<b>783126-32941</b>	LB-50A-TW	LB	½	2	90°	Back
<b>783126-32942</b>	LB-75A-TW	LB	¾	2	90°	Back
<b>783126-32943</b>	LB-100A-TW	LB	1	2	90°	Back
<b>783126-32944</b>	LB-125A-TW	LB	1¼	2	90°	Back
<b>783126-32945</b>	LB-150A-TW	LB	1½	2	90°	Back
<b>783126-32946</b>	LB-200A-TW	LB	2	2	90°	Back
<b>783126-32947</b>	LB-250A-TW	LB	2½	2	90°	Back
<b>783126-32948</b>	LB-300A-TW	LB	3	2	90°	Back
<b>783126-32949</b>	LB-350A-TW	LB	3½	2	90°	Back
<b>783126-32950</b>	LB-400A-TW	LB	4	2	90°	Back
<b>Type T Conduit Bodies</b>						
<b>783126-51861</b>	T-50A-TW	T	½	3	Tee	Side
<b>783126-51862</b>	T-75A-TW	T	¾	3	Tee	Side
<b>783126-51863</b>	T-100A-TW	T	1	3	Tee	Side
<b>783126-51864</b>	T-125A-TW	T	1¼	3	Tee	Side
<b>783126-50865</b>	T-150A-TW	T	1½	3	Tee	Side
<b>783126-51866</b>	T-200A-TW	T	2	3	Tee	Side

### O-Z/Gedney Aluminum Conduit Bodies — Types LL, LR and C

For use with IMC and rigid conduit

- Features threaded, tapered hubs
- Raintight when used with gasketed covers
- Made of copper-free aluminum with aluminum enamel
- UL Listed and CSA Certified



WESCO Part No.	Mr.'s Model No.	Configuration	Hub Size (in.)	No. of Hubs	Hub Placement	Access Opening
<b>OZGEDNEY</b>						
<b>Type LL Conduit Bodies</b>						
<b>783126-37941</b>	LL-50A	LL	½	2	90°	Left Side
<b>783126-37942</b>	LL-75A	LL	¾	2	90°	Left Side
<b>783126-37943</b>	LL-100A	LL	1	2	90°	Left Side
<b>783126-37944</b>	LL-125A	LL	1¼	2	90°	Left Side
<b>783126-37945</b>	LL-150A	LL	1½	2	90°	Left Side
<b>783126-37946</b>	LL-200A	LL	2	2	90°	Left Side
<b>Type LR Conduit Bodies</b>						
<b>783126-38761</b>	LR-50A	LR	½	2	90°	Right Side
<b>783126-38781</b>	LR-75A	LR	¾	2	90°	Right Side
<b>783126-38801</b>	LR-100A	LR	1	2	90°	Right Side
<b>783126-38821</b>	LR-125A	LR	1¼	2	90°	Right Side
<b>783126-38841</b>	LR-150A	LR	1½	2	90°	Right Side
<b>783126-38861</b>	LR-200A	LR	2	2	90°	Right Side
<b>Type C Conduit Bodies</b>						
<b>783126-07420</b>	C-50A	C	½	2	Straight	Side
<b>783126-07421</b>	C-75A	C	¾	2	Straight	Side
<b>783126-07422</b>	C-100A	C	1	2	Straight	Side
<b>783126-07423</b>	C-125A	C	1¼	2	Straight	Side
<b>783126-07424</b>	C-150A	C	1½	2	Straight	Side
<b>783126-07425</b>	C-200A	C	2	2	Straight	Side
<b>783126-07426</b>	C-250A	C	2½	2	Straight	Side
<b>783126-07427</b>	C-300A	C	3	2	Straight	Side
<b>783126-07428</b>	C-350A	C	3½	2	Straight	Side
<b>783126-07429</b>	C-400A	C	4	2	Straight	Side

### O-Z/Gedney Aluminum Conduit Bodies — Types LB and T

For use with IMC and rigid conduit

- Features threaded, tapered hubs
- Raintight when used with gasketed covers
- Made of copper-free aluminum with aluminum enamel
- UL Listed and CSA Certified



WESCO Part No.	Mr.'s Model No.	Configuration	Hub Size (in.)	No. of Hubs	Hub Placement	Access Opening
<b>OZGEDNEY</b>						
<b>Type LB Conduit Bodies</b>						
<b>783126-32921</b>	LB-50A	LB	½	2	90°	Back
<b>783126-32922</b>	LB-75A	LB	¾	2	90°	Back
<b>783126-32923</b>	LB-100A	LB	1	2	90°	Back
<b>783126-32924</b>	LB-125A	LB	1¼	2	90°	Back
<b>783126-32925</b>	LB-150A	LB	1½	2	90°	Back
<b>783126-32926</b>	LB-200A	LB	2	2	90°	Back
<b>783126-32927</b>	LB-250A	LB	2½	2	90°	Back
<b>783126-32928</b>	LB-300A	LB	3	2	90°	Back
<b>783126-32929</b>	LB-350A	LB	3½	2	90°	Back
<b>783126-32930</b>	LB-400A	LB	4	2	90°	Back
<b>Type T Conduit Bodies</b>						
<b>783126-51840</b>	T-50A	T	½	3	Tee	Side
<b>783126-51841</b>	T-75A	T	¾	3	Tee	Side
<b>783126-51842</b>	T-100A	T	1	3	Tee	Side
<b>783126-51843</b>	T-125A	T	1¼	3	Tee	Side
<b>783126-51844</b>	T-150A	T	1½	3	Tee	Side
<b>783126-51845</b>	T-200A	T	2	3	Tee	Side

### Domed Top Cover for Use with O-Z/Gedney Aluminum Conduit Bodies — Type BS

- Made of durable stamped aluminum
- Includes stainless steel screws
- Screw-on type covers
- UL Listed and CSA Certified



WESCO Part No.	Mr.'s Model No.	Trade Size (in.)	WESCO Part No.	Mr.'s Model No.	Trade Size (in.)
<b>783126-06010</b>	BS-50A	½	<b>783126-06015</b>	BS-200A	2
<b>783126-06011</b>	BS-75A	¾	<b>783126-06016</b>	BS-250A	2½ and 3
<b>783126-06012</b>	BS-100A	1	<b>783126-06017</b>	BS-350A	3½ and 4
<b>783126-06013</b>	BS-125A	1¼			

### Solid Cover Sealing Gasket for Use with O-Z/Gedney Malleable Iron Conduit Bodies and Covers — Type SG and SGN

- Provides a worry-free, raintight seal when used with Type BS or BC-style covers
- Available as Type SG velbuna gaskets or Type SGN neoprene gaskets
- Screw-on type covers



WESCO Part No.	Mr.'s Model No.	Trade Size (in.)	WESCO Part No.	Mr.'s Model No.	Trade Size (in.)
<b>OZGEDNEY</b>					
<b>Type SG Velbuna Cover Gaskets</b>			<b>Type SGN Neoprene Cover Gaskets</b>		
<b>783126-49255</b>	SG-50	½	<b>783126-50300</b>	SGN-50	½
<b>783126-49260</b>	SG-75	¾	<b>783126-50305</b>	SGN-75	¾
<b>783126-49265</b>	SG-100	1	<b>783126-50310</b>	SGN-100	1
<b>783126-49270</b>	SG-125	1¼	<b>783126-50315</b>	SGN-125	1¼
<b>783126-49275</b>	SG-200	2	<b>783126-50320</b>	SGN-200	2
<b>783126-49280</b>	SG-250	2½ and 3	<b>783126-50325</b>	SGN-250	2½ and 3
<b>783126-49285</b>	SG-350	3½ and 4	<b>783126-50330</b>	SGN-350	3½ and 4





## Conduit Bodies — O-Z/Gedney

# WESCO® delivers

WESCO Part Nos. shown in **BOLD** are in stock and ready to ship.

### ■ O-Z/Gedney Set Screw Type Aluminum Conduit Bodies — Types LB and T

For use with EMT conduit

- Includes a slotted hex head steel hardened cup-point set screw
- Tapered, threaded hubs
- Made of copper-free aluminum with aluminum enamel
- UL® Listed and CSA Certified



LB-100A-TW

WESCO Part No.	Mr.'s Model No.	Configuration	Hub Size (in.)	No. of Hubs	Hub Placement	Access Opening
<b>Type LB Conduit Bodies</b>						
<b>783126-32941</b>	LB-50A-TW	LB	½	2	90°	Back
<b>783126-32942</b>	LB-75A-TW	LB	¾	2	90°	Back
<b>783126-32943</b>	LB-100A-TW	LB	1	2	90°	Back
<b>783126-32944</b>	LB-125A-TW	LB	1¼	2	90°	Back
<b>783126-32945</b>	LB-150A-TW	LB	1½	2	90°	Back
<b>783126-32946</b>	LB-200A-TW	LB	2	2	90°	Back
<b>783126-32947</b>	LB-250A-TW	LB	2½	2	90°	Back
<b>783126-32948</b>	LB-300A-TW	LB	3	2	90°	Back
<b>783126-32949</b>	LB-350A-TW	LB	3½	2	90°	Back
<b>783126-32950</b>	LB-400A-TW	LB	4	2	90°	Back
<b>Type T Conduit Bodies</b>						
<b>783126-51861</b>	T-50A-TW	T	½	3	Tee	Side
<b>783126-51862</b>	T-75A-TW	T	¾	3	Tee	Side
<b>783126-51863</b>	T-100A-TW	T	1	3	Tee	Side
<b>783126-51864</b>	T-125A-TW	T	1¼	3	Tee	Side
<b>783126-50865</b>	T-150A-TW	T	1½	3	Tee	Side
<b>783126-51866</b>	T-200A-TW	T	2	3	Tee	Side

### ■ O-Z/Gedney Aluminum Conduit Bodies — Types LL, LR and C

For use with IMC and rigid conduit

- Features threaded, tapered hubs
- Raintight when used with gasketed covers
- Made of copper-free aluminum with aluminum enamel
- UL Listed and CSA Certified



LL-100A

C-125A

## OZGEDNEY

WESCO Part No.	Mr.'s Model No.	Configuration	Hub Size (in.)	No. of Hubs	Hub Placement	Access Opening
<b>Type LL Conduit Bodies</b>						
<b>783126-37941</b>	LL-50A	LL	½	2	90°	Left Side
<b>783126-37942</b>	LL-75A	LL	¾	2	90°	Left Side
<b>783126-37943</b>	LL-100A	LL	1	2	90°	Left Side
<b>783126-37944</b>	LL-125A	LL	1¼	2	90°	Left Side
<b>783126-37945</b>	LL-150A	LL	1½	2	90°	Left Side
<b>783126-37946</b>	LL-200A	LL	2	2	90°	Left Side
<b>Type LR Conduit Bodies</b>						
<b>783126-38761</b>	LR-50A	LR	½	2	90°	Right Side
<b>783126-38781</b>	LR-75A	LR	¾	2	90°	Right Side
<b>783126-38801</b>	LR-100A	LR	1	2	90°	Right Side
<b>783126-38821</b>	LR-125A	LR	1¼	2	90°	Right Side
<b>783126-38841</b>	LR-150A	LR	1½	2	90°	Right Side
<b>783126-38861</b>	LR-200A	LR	2	2	90°	Right Side
<b>Type C Conduit Bodies</b>						
<b>783126-07420</b>	C-50A	C	½	2	Straight	Side
<b>783126-07421</b>	C-75A	C	¾	2	Straight	Side
<b>783126-07422</b>	C-100A	C	1	2	Straight	Side
<b>783126-07423</b>	C-125A	C	1¼	2	Straight	Side
<b>783126-07424</b>	C-150A	C	1½	2	Straight	Side
<b>783126-07425</b>	C-200A	C	2	2	Straight	Side
<b>783126-07426</b>	C-250A	C	2½	2	Straight	Side
<b>783126-07427</b>	C-300A	C	3	2	Straight	Side
<b>783126-07428</b>	C-350A	C	3½	2	Straight	Side
<b>783126-07429</b>	C-400A	C	4	2	Straight	Side

### ■ O-Z/Gedney Aluminum Conduit Bodies — Types LB and T

For use with IMC and rigid conduit

- Features threaded, tapered hubs
- Raintight when used with gasketed covers
- Made of copper-free aluminum with aluminum enamel
- UL Listed and CSA Certified



T-125A

LB-125A

## OZGEDNEY

WESCO Part No.	Mr.'s Model No.	Configuration	Hub Size (in.)	No. of Hubs	Hub Placement	Access Opening
<b>Type LB Conduit Bodies</b>						
<b>783126-32921</b>	LB-50A	LB	½	2	90°	Back
<b>783126-32922</b>	LB-75A	LB	¾	2	90°	Back
<b>783126-32923</b>	LB-100A	LB	1	2	90°	Back
<b>783126-32924</b>	LB-125A	LB	1¼	2	90°	Back
<b>783126-32925</b>	LB-150A	LB	1½	2	90°	Back
<b>783126-32926</b>	LB-200A	LB	2	2	90°	Back
<b>783126-32927</b>	LB-250A	LB	2½	2	90°	Back
<b>783126-32928</b>	LB-300A	LB	3	2	90°	Back
<b>783126-32929</b>	LB-350A	LB	3½	2	90°	Back
<b>783126-32930</b>	LB-400A	LB	4	2	90°	Back
<b>Type T Conduit Bodies</b>						
<b>783126-51840</b>	T-50A	T	½	3	Tee	Side
<b>783126-51841</b>	T-75A	T	¾	3	Tee	Side
<b>783126-51842</b>	T-100A	T	1	3	Tee	Side
<b>783126-51843</b>	T-125A	T	1¼	3	Tee	Side
<b>783126-51844</b>	T-150A	T	1½	3	Tee	Side
<b>783126-51845</b>	T-200A	T	2	3	Tee	Side

### ■ Domed Top Cover for Use with O-Z/Gedney Aluminum Conduit Bodies — Type BS

- Made of durable stamped aluminum
- Includes stainless steel screws
- Screw-on type covers
- UL Listed and CSA Certified

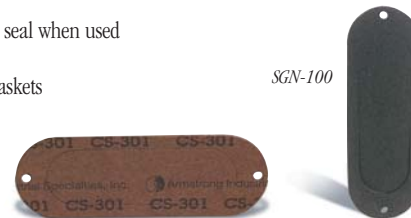


## OZGEDNEY

WESCO Part No.	Mr.'s Model No.	Trade Size (in.)	WESCO Part No.	Mr.'s Model No.	Trade Size (in.)
<b>783126-06010</b>	BS-50A	½	<b>783126-06015</b>	BS-200A	2
<b>783126-06011</b>	BS-75A	¾	<b>783126-06016</b>	BS-250A	2½ and 3
<b>783126-06012</b>	BS-100A	1	<b>783126-06017</b>	BS-350A	3½ and 4
<b>783126-06013</b>	BS-125A	1¼			

### ■ Solid Cover Sealing Gasket for Use with O-Z/Gedney Malleable Iron Conduit Bodies and Covers — Type SG and SGN

- Provides a worry-free, raintight seal when used with Type BS or BC-style covers
- Available as Type SG velbuna gaskets or Type SGN neoprene gaskets
- Screw-on type covers



SGN-100

SG-100

## OZGEDNEY

WESCO Part No.	Mr.'s Model No.	Trade Size (in.)	WESCO Part No.	Mr.'s Model No.	Trade Size (in.)
<b>Type SG Velbuna Cover Gaskets</b>					
<b>783126-49255</b>	SG-50	½	<b>783126-50300</b>	SGN-50	½
<b>783126-49260</b>	SG-75	¾	<b>783126-50305</b>	SGN-75	¾
<b>783126-49265</b>	SG-100	1	<b>783126-50310</b>	SGN-100	1
<b>783126-49270</b>	SG-125	1¼	<b>783126-50315</b>	SGN-125	1¼
<b>783126-49275</b>	SG-200	2	<b>783126-50320</b>	SGN-200	2
<b>783126-49280</b>	SG-250	2½ and 3	<b>783126-50325</b>	SGN-250	2½ and 3
<b>783126-49285</b>	SG-350	3½ and 4	<b>783126-50330</b>	SGN-350	3½ and 4
<b>Type SGN Neoprene Cover Gaskets</b>					

