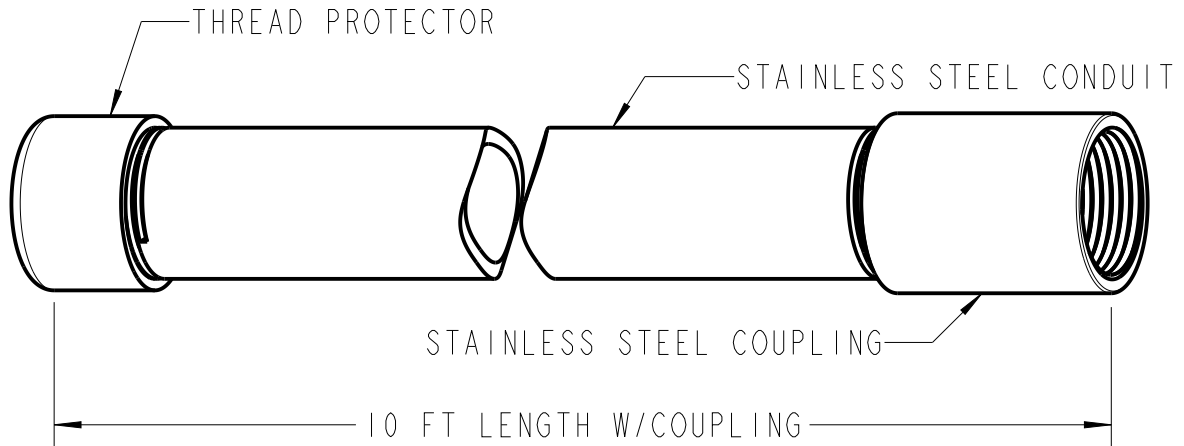




# T&B Rigid Fittings



CONDUIT W/COUPLING						
CATALOG NO. (TYPE 304)	NOMINAL SIZE		DIAMETERS		WT./FT.	CATALOG NO. (TYPE 316)
	TRADE	METRIC	O.D.	I.D.		
COND1/2SS	1/2	16	0.840"	0.622"	0.82	COND1/2SST
COND3/4SS	3/4	21	1.050"	0.824"	1.09	COND3/4SST
CONDISS	1	27	1.315"	1.049"	1.61	CONDISST
COND1 1/4SS	1-1/4	35	1.660"	1.380"	2.18	COND1 1/4SST
COND1 1/2SS	1-1/2	41	1.900"	1.610"	2.63	COND1 1/2SST
COND2SS	2	53	2.375"	2.067"	3.50	COND2SST
COND2 1/2SS	2-1/2	63	2.875"	2.469"	5.59	COND2 1/2SST
COND3SS	3	78	3.500"	3.068"	7.27	COND3SST
COND4SS	4	103	4.500"	4.026"	10.30	COND4SST
COND5SS	5	129	5.563"	5.073"	14.00	COND5SST
COND6SS	6	155	6.625"	6.093"	18.4	COND6SST

COUPLING ONLY					
CATALOG NO. (TYPE 304)	NOMINAL SIZE		LENGTH (MIN.)	WT. (LBS)	CATALOG NO. (TYPE 316)
	TRADE	METRIC			
CPL1/2SS	1/2	16	1.625"	0.17	CPL1/2SST
CPL3/4SS	3/4	21	1.641"	0.29	CPL3/4SST
CPLISS	1	27	1.969"	0.34	CPLISST
CPL1 1/4SS	1-1/4	35	2.032"	0.51	CPL1 1/4SST
CPL1 1/2SS	1-1/2	41	2.063"	0.61	CPL1 1/2SST
CPL2SS	2	53	2.125"	0.90	CPL2SST
CPL2 1/2SS	2-1/2	63	3.188"	1.87	CPL2 1/2SST
CPL3SS	3	78	3.313"	1.93	CPL3SST
CPL4SS	4	103	3.516"	3.97	CPL4SST
CPL5SS	5	129	3.953"	7.495	CPL5SST
CPL6SS	6	155	4.25"	10.05	CPL6SST

### GENERAL NOTES

- ALL DIMENSIONS ARE FOR REFERENCE ONLY.
- DIMENSIONS IN BRACKETS [ ] ARE IN METRIC UNITS.

### REVISIONS

- |   |   |
|---|---|
| 4 | SEE ERN 2017303 FOR APPROVAL SIGNATURES & RELEASE DATE.<br>PROJECT NO: RM401890 |
|---|---|

www.tnb.com

**Thomas & Betts**

A Member of the ABB Group

DESCRIPTION: **RIGID CONDUIT & COUPLING,  
STAINLESS STEEL TYPE 304 & TYPE 316**

ORIGINAL PROJECT NO / ( ERN NO )

**RM401890 / ( 2014554 )**

SHEET NO:

**1 OF 1**

REV. NO:

**4**

DRAWING NO:

**WSD-001049**